



US00D783386S

(12) **United States Design Patent** (10) **Patent No.:** **US D783,386 S**  
**Collins, IV** (45) **Date of Patent:** **\*\* Apr. 11, 2017**

(54) **SUPPORT BRACKET**

- (71) Applicant: **Collins Limited, LLC**, Somers Point, NJ (US)
- (72) Inventor: **Earle S. Collins, IV**, Somers Point, NJ (US)
- (73) Assignee: **Collins Limited, LLC**, Somers Point, NJ (US)
- (\*\*) Term: **15 Years**
- (21) Appl. No.: **29/540,894**
- (22) Filed: **Sep. 29, 2015**

**Related U.S. Application Data**

- (62) Division of application No. 29/430,260, filed on Aug. 23, 2012, now Pat. No. Des. 741,690.
- (51) **LOC (10) Cl.** ..... **08-05**
- (52) **U.S. Cl.**  
USPC ..... **D8/354**
- (58) **Field of Classification Search**  
USPC ..... D8/349, 350, 353, 354, 355, 356, 359, D8/366, 367, 373, 374, 394; D11/200, D11/201, 206–210, 214–218; D13/132, D13/133, 154; 248/56, 58, 61, 62, 63, 65, 248/74.1, 74.2, 74.4, 200, 220.21; 24/163 R, 169–171, 173, 177–179, 191, 24/194, 195, 197, 200, 614–616, 625; 439/92, 97, 108; 211/134  
CPC . A47H 1/14; A47H 1/00; A47H 1/122; A47B 96/06; A47B 96/02  
See application file for complete search history.

(56) **References Cited**

U.S. PATENT DOCUMENTS

D26,770 S *	3/1897	Webber .....	D8/380
2,651,489 A *	9/1953	Bell .....	A47H 1/122 211/134
D194,373 S	1/1963	Long	
D212,093 S	8/1968	De Smidt	
D235,620 S	7/1975	Forseth	
D272,314 S	1/1984	Leibin et al.	
D286,739 S	11/1986	Larsson	
D299,212 S *	1/1989	Murphy .....	D8/380
D319,573 S *	9/1991	Rogers .....	D8/380
D365,747 S	1/1996	Grande	
D369,953 S	5/1996	Carr	
D409,079 S	5/1999	Sobczynski	
D417,135 S	11/1999	McMahon	

(Continued)

*Primary Examiner* — Mark Goodwin

(74) *Attorney, Agent, or Firm* — Charney IP Law LLC

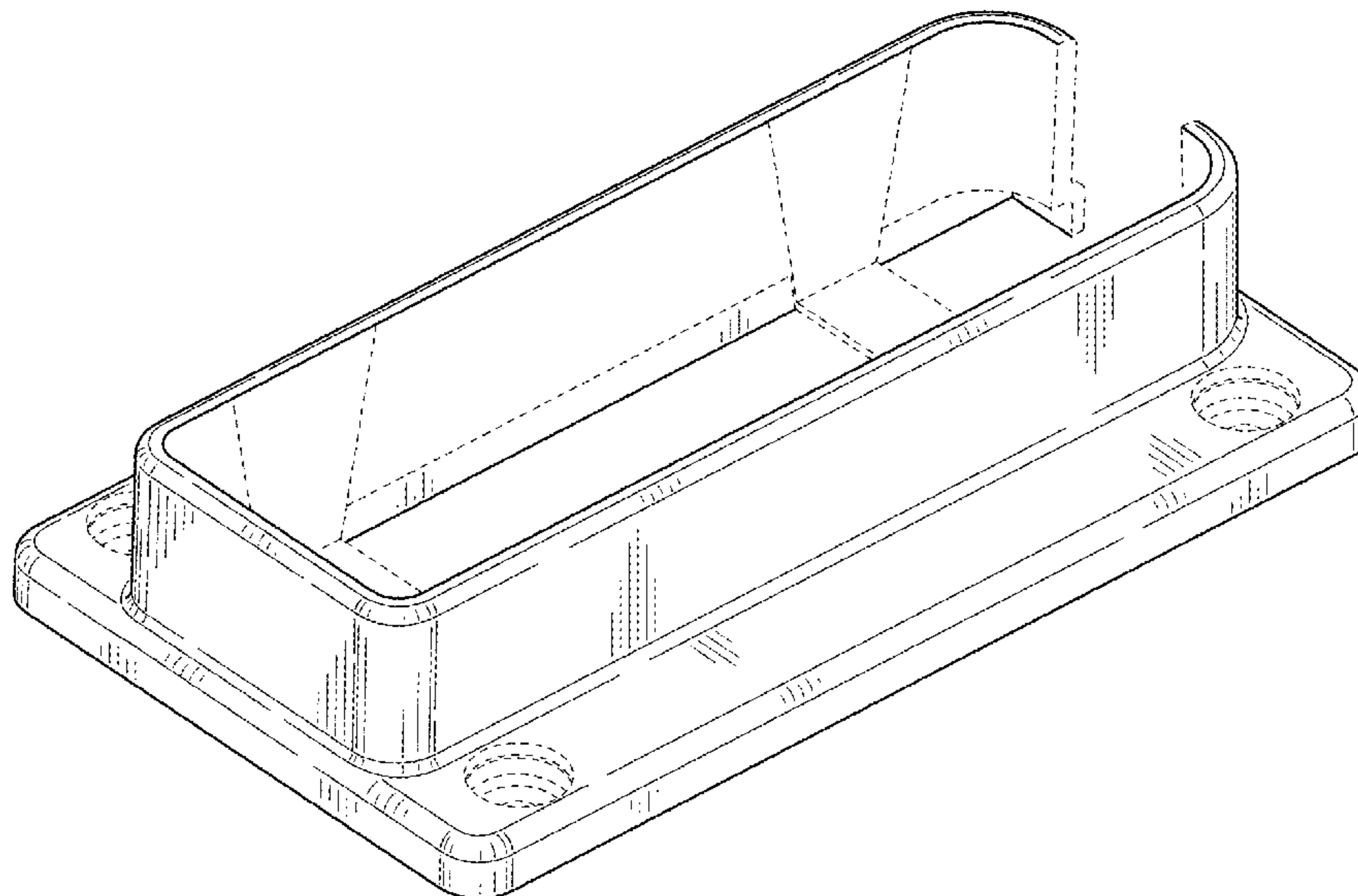
(57) **CLAIM**

The ornamental design for a support bracket, as shown and described.

**DESCRIPTION**

FIG. 1 is a frontal perspective view of a support bracket in accordance with a first embodiment of the present invention; FIG. 2 is a first side view of the support bracket of FIG. 1 the second side being a mirror image; FIG. 3 is a bottom view of the support bracket of FIG. 1; FIG. 4 is a top view of the support bracket of FIG. 1; and, FIG. 5 is a front view of the support bracket of FIG. 1. The broken line showing in FIGS. 1, 3, and 5, of four screw holes and inner surface features in the claim is included for the purpose of illustrating portions of the support bracket and forms no part of the claimed design.

**1 Claim, 3 Drawing Sheets**



(56)

**References Cited**

U.S. PATENT DOCUMENTS

D423,917 S \* 5/2000 Remmers ..... D8/380  
D431,174 S 9/2000 Merideth  
D437,772 S 2/2001 Erwin  
D478,801 S \* 8/2003 Spruill ..... D8/354  
D523,734 S 6/2006 Caaicone  
D556,015 S 11/2007 Muchnik  
D557,117 S 12/2007 Cannaverde  
D559,083 S 1/2008 Brassard  
D561,561 S 2/2008 Wohlford et al.  
D604,597 S \* 11/2009 Fernandez ..... D8/381  
D604,598 S \* 11/2009 Fernandez ..... D8/381  
D606,386 S \* 12/2009 Fernandez ..... D8/381  
D627,305 S 11/2010 Gretz  
D654,779 S 2/2012 Matre  
D678,039 S 3/2013 Psaila  
D741,690 S \* 10/2015 Collins, IV ..... D8/354  
2003/0194269 A1 10/2003 Garza

\* cited by examiner

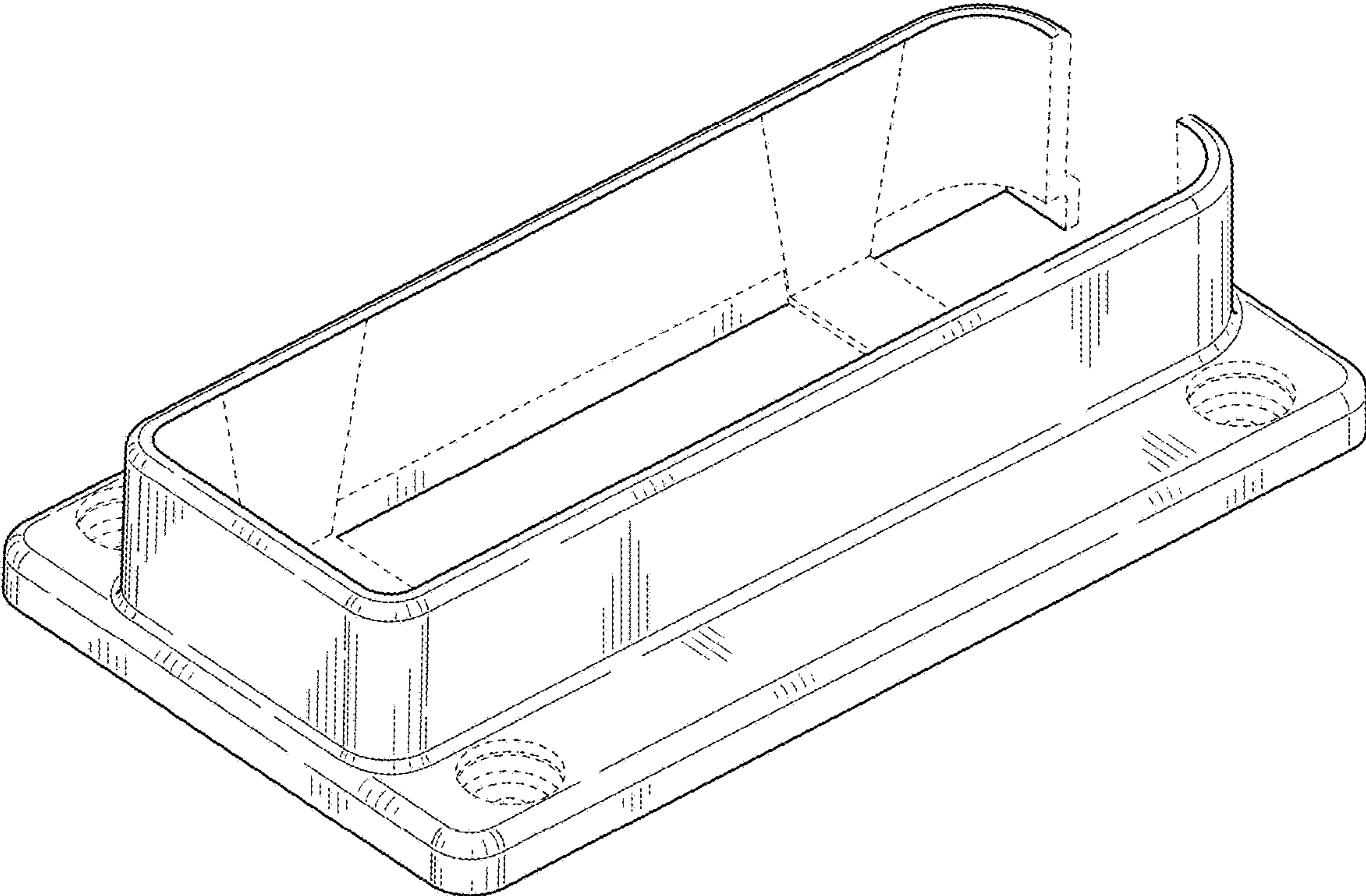
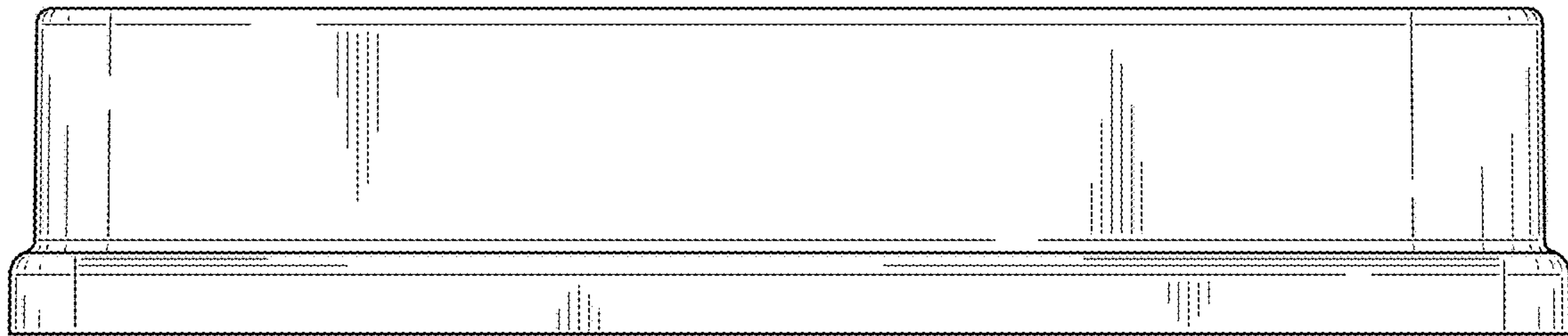
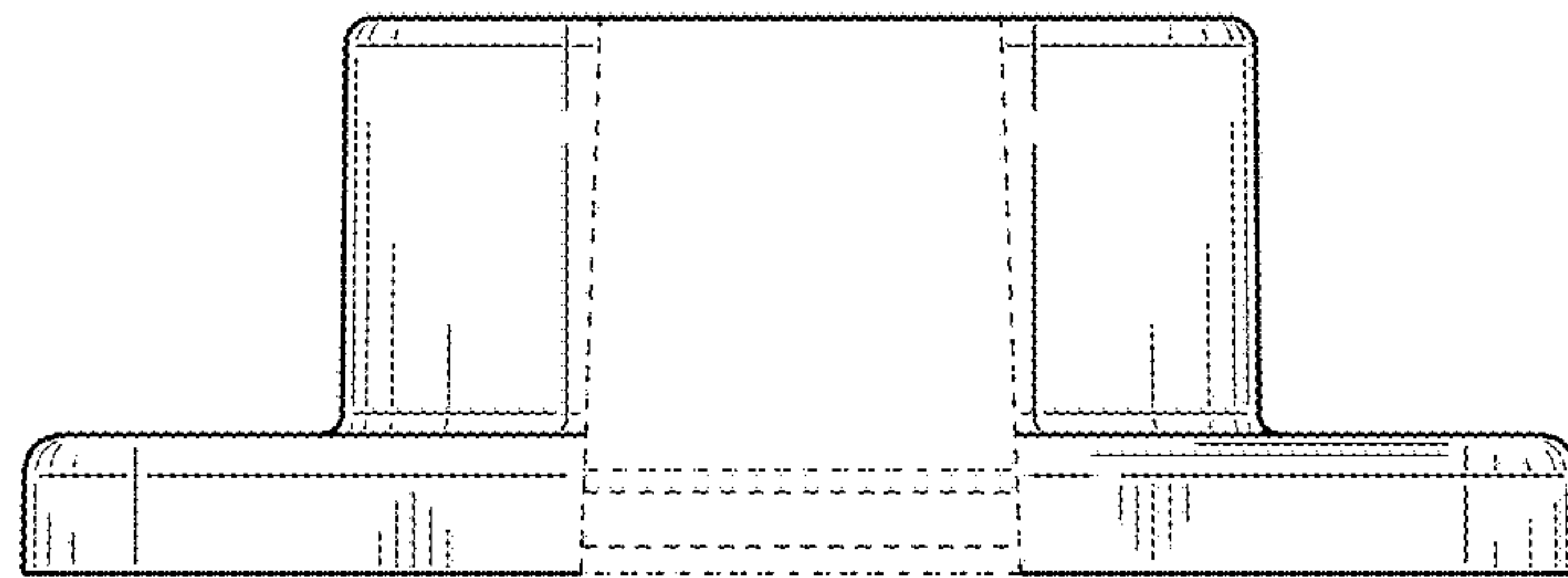


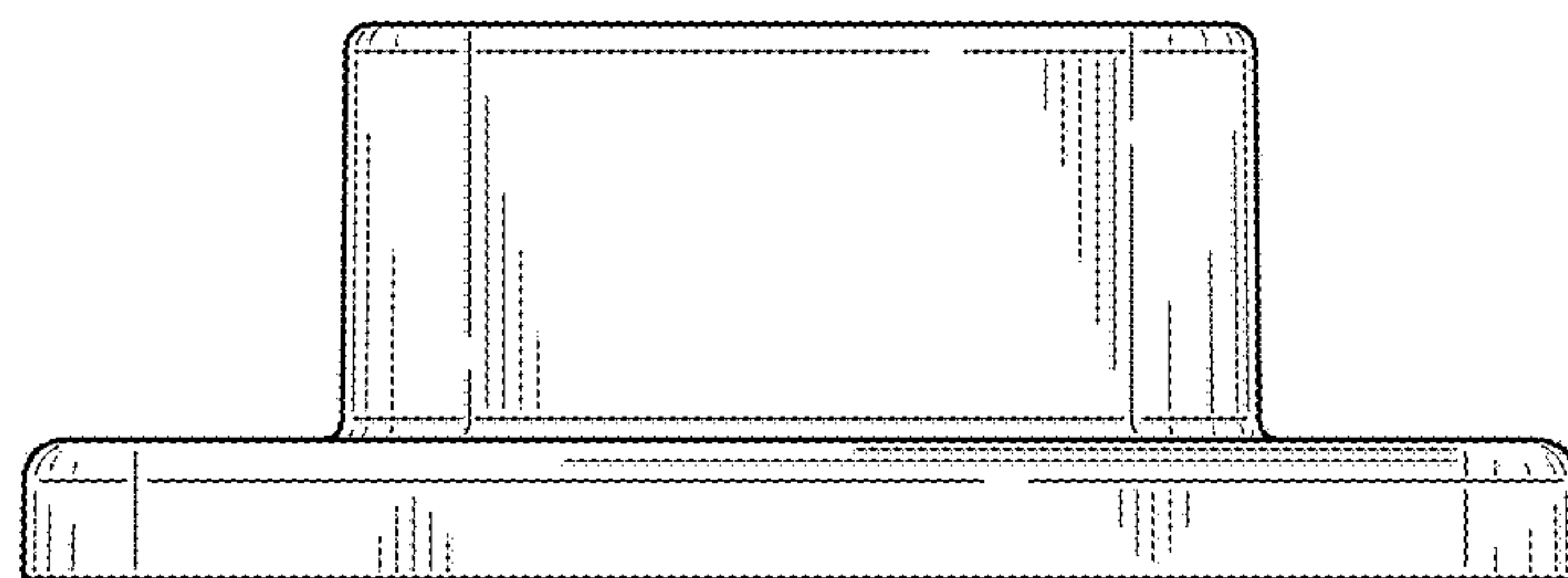
FIG. 1



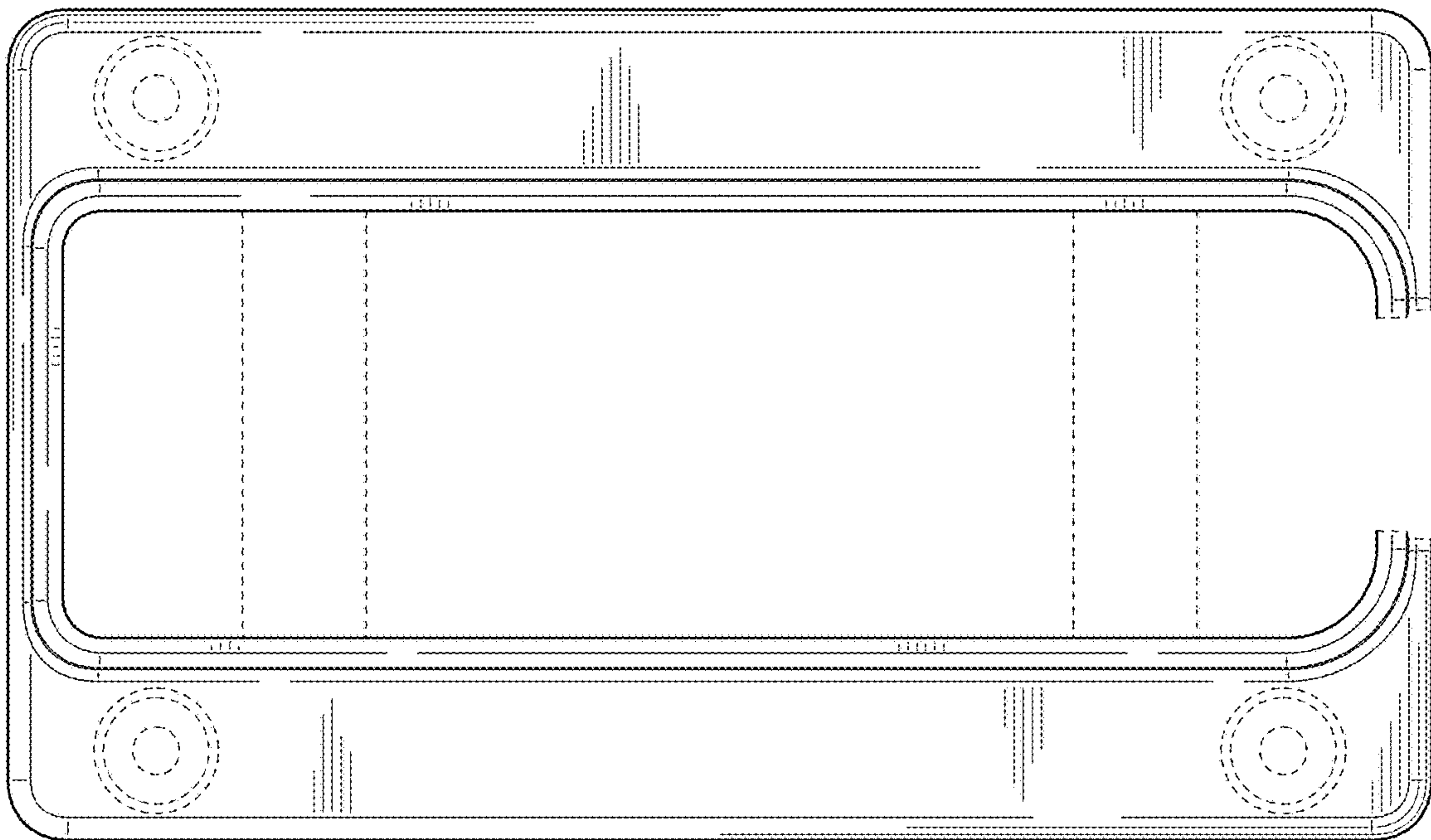
**FIG. 2**



**FIG. 3**



**FIG. 4**



**FIG. 5**