



US00D783384S

(12) **United States Design Patent** (10) **Patent No.:** **US D783,384 S**
Shargh (45) **Date of Patent:** **** Apr. 11, 2017**

- (54) **HOUSING FOR A DIGITAL DEADBOLT LOCK**
- (71) Applicant: **HAMPTON PRODUCTS INTERNATIONAL CORPORATION**, Foothill Ranch, CA (US)
- (72) Inventor: **Hossein Molaie Shargh**, Rancho Santa Margarita, CA (US)
- (73) Assignee: **HAMPTON PRODUCTS INTERNATIONAL CORPORATION**, Foothill Ranch, CA (US)
- (**) Term: **15 Years**
- (21) Appl. No.: **29/559,065**
- (22) Filed: **Mar. 24, 2016**

Related U.S. Application Data

- (63) Continuation-in-part of application No. 29/550,457, filed on Jan. 4, 2016.
- (51) **LOC (10) Cl.** **08-07**
- (52) **U.S. Cl.**
USPC **D8/331; D8/330**
- (58) **Field of Classification Search**
USPC D8/330, 331, 334, 300, 301, 350; 70/14, 70/20-22, 57, 57.1, 284-286, 314, 70/DIG. 44, 266, 277, 271
(Continued)

References Cited

U.S. PATENT DOCUMENTS

- 3,041,720 A 7/1962 Pantas
 - 5,433,333 A 7/1995 Martell
- (Continued)

OTHER PUBLICATIONS

Notice of Allowance on co-pending Design U.S. Appl. No. 29/550,457 dated Nov. 22, 2016.

Primary Examiner — Prabhakar Deshmukh
(74) Attorney, Agent, or Firm — Klein, O'Neill & Singh, LLP

(57) **CLAIM**

The ornamental design for a housing for a digital deadbolt lock, as shown and described.

DESCRIPTION

FIG. 1 is a front elevation view of a housing for a digital deadbolt lock, in accordance with a first embodiment of my new design;

FIG. 2 is a side elevation view of the housing for a digital deadbolt lock shown in FIG. 1, taken from the left side of FIG. 1;

FIG. 3 is a side elevational view of the housing for a digital deadbolt lock shown in FIG. 1, taken from the right side of FIG. 1;

FIG. 4 is a rear elevational view of the housing for a digital deadbolt lock shown in FIG. 1;

FIG. 5 is a top plan view of the housing for a digital deadbolt lock shown in FIG. 1;

FIG. 6 is a bottom plan view of the housing for a digital deadbolt lock of FIG. 1;

FIG. 7 is a perspective view of the housing for a digital deadbolt lock shown in FIG. 1, taken from the front, top, and right side of FIG. 1;

FIG. 8 is a front elevation view of a housing for a digital deadbolt lock, in accordance with a second embodiment of my new design;

FIG. 9 is a side elevation view of the housing for a digital deadbolt lock shown in FIG. 8, taken from the left side of FIG. 8;

FIG. 10 is a side elevational view of the housing for a digital deadbolt lock shown in FIG. 8, taken from the right side of FIG. 8;

FIG. 11 is a rear elevational view of the housing for a digital deadbolt lock shown in FIG. 8;

FIG. 12 is a top plan view of the housing for a digital deadbolt lock shown in FIG. 8;

FIG. 13 is a bottom plan view of the housing for a digital deadbolt lock of FIG. 8; and,

(Continued)

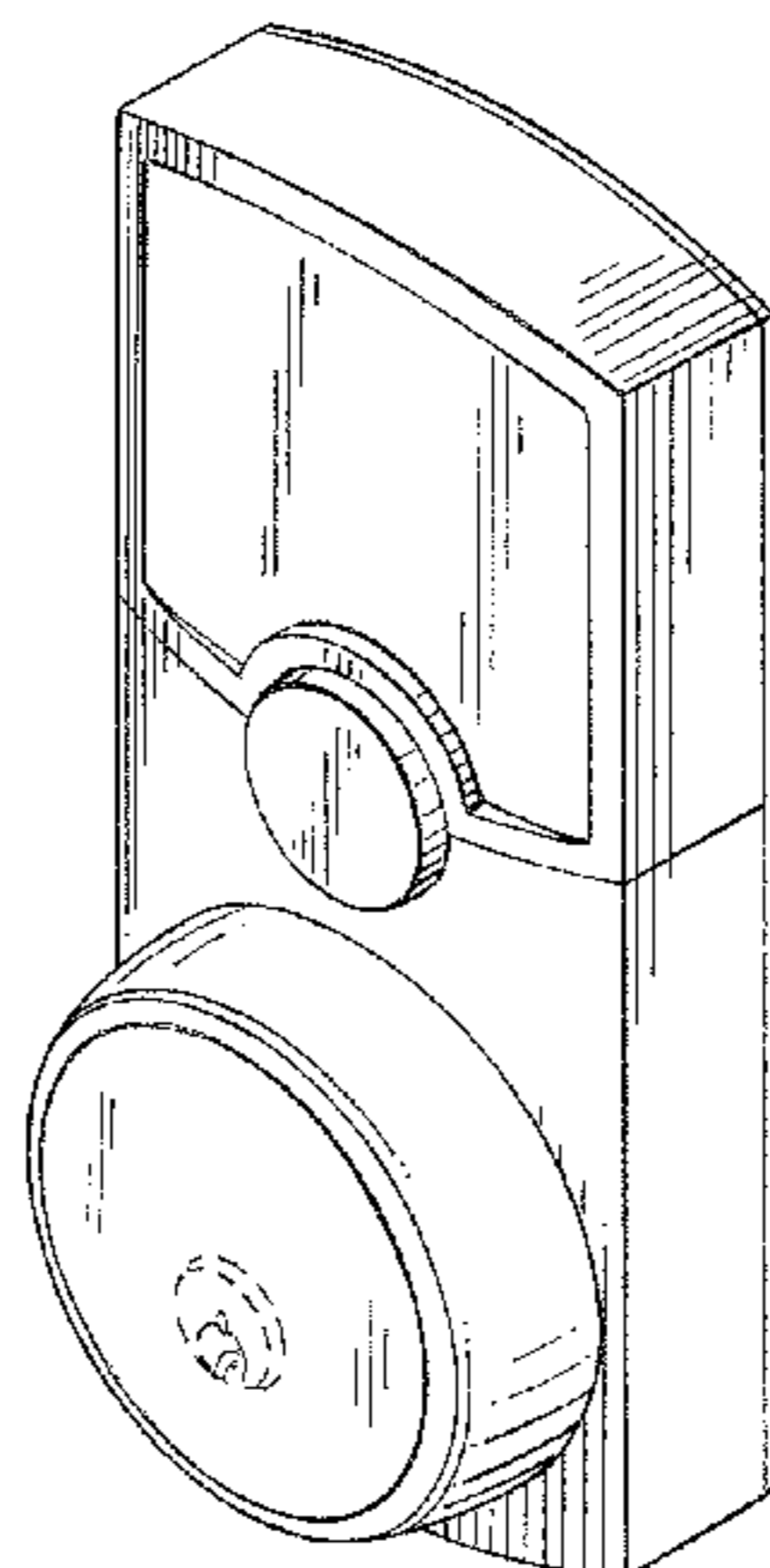


FIG. 14 is a perspective view of the housing for a digital deadbolt lock shown in FIG. 8, taken from the front, top, and right side of FIG. 8.
The broken lines illustrate environmental structure which forms no part of the claimed design.

1 Claim, 6 Drawing Sheets

(58) **Field of Classification Search**

CPC E05B 9/00; E05B 9/02; E05B 2009/006;
E05B 49/00

See application file for complete search history.

(56) **References Cited**

U.S. PATENT DOCUMENTS

D365,976 S * 1/1996 Chiu D8/301
6,145,353 A 11/2000 Doucet

D471,786 S 3/2003 Ellis et al.
6,733,050 B1 5/2004 Yao
6,828,519 B2 12/2004 Bui et al.
D513,469 S * 1/2006 Gao D8/350
7,091,429 B2 * 8/2006 Case E05B 15/02
200/314
D581,246 S 11/2008 Conway
D588,439 S * 3/2009 Lin D8/330
7,984,631 B2 7/2011 Case et al.
8,141,400 B2 3/2012 Sorensen et al.
8,347,673 B2 * 1/2013 Wang E05B 37/16
70/214
D682,656 S * 5/2013 Cramer D8/331
D682,658 S 5/2013 Cramer et al.
D686,056 S * 7/2013 Li D8/331
D733,522 S * 7/2015 Kim D8/331
D737,661 S 9/2015 Chan
9,347,241 B1 * 5/2016 Peng E05B 37/16
D761,082 S * 7/2016 Lu D8/331
D766,067 S * 9/2016 Hyde D8/330
D768,463 S * 10/2016 Kraus D8/330

* cited by examiner

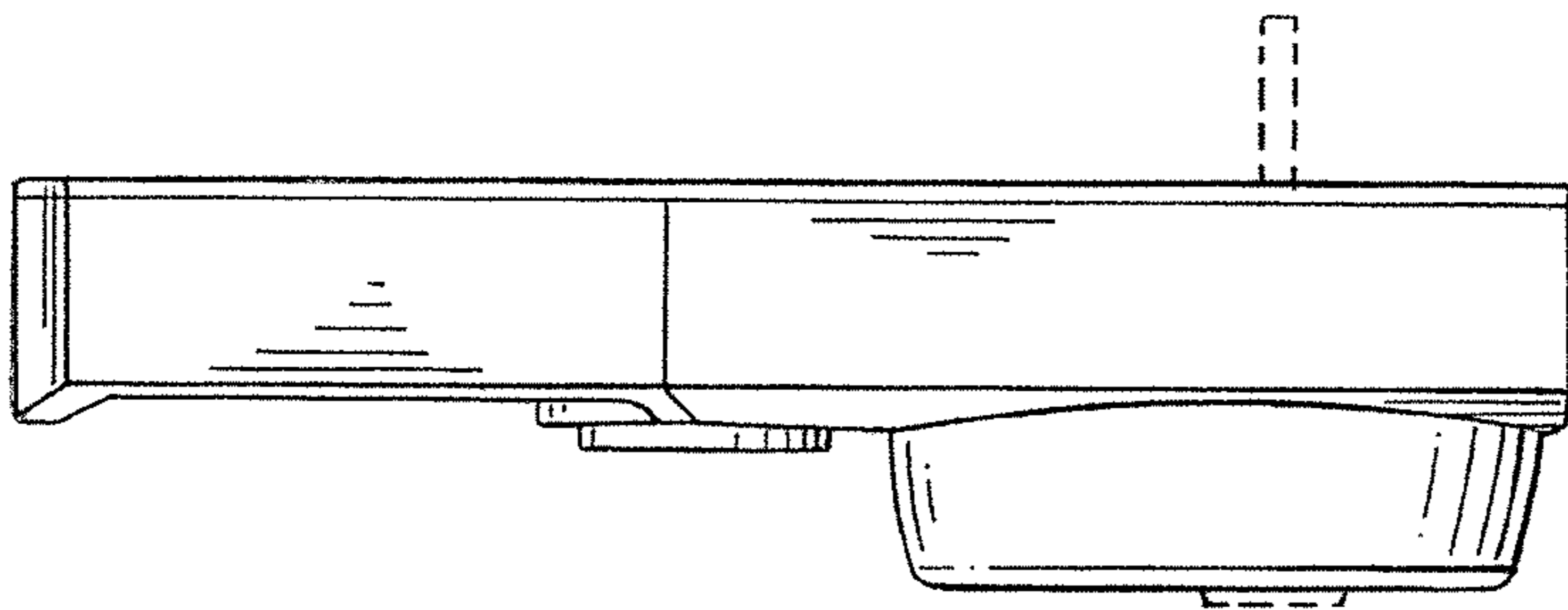


FIG. 3

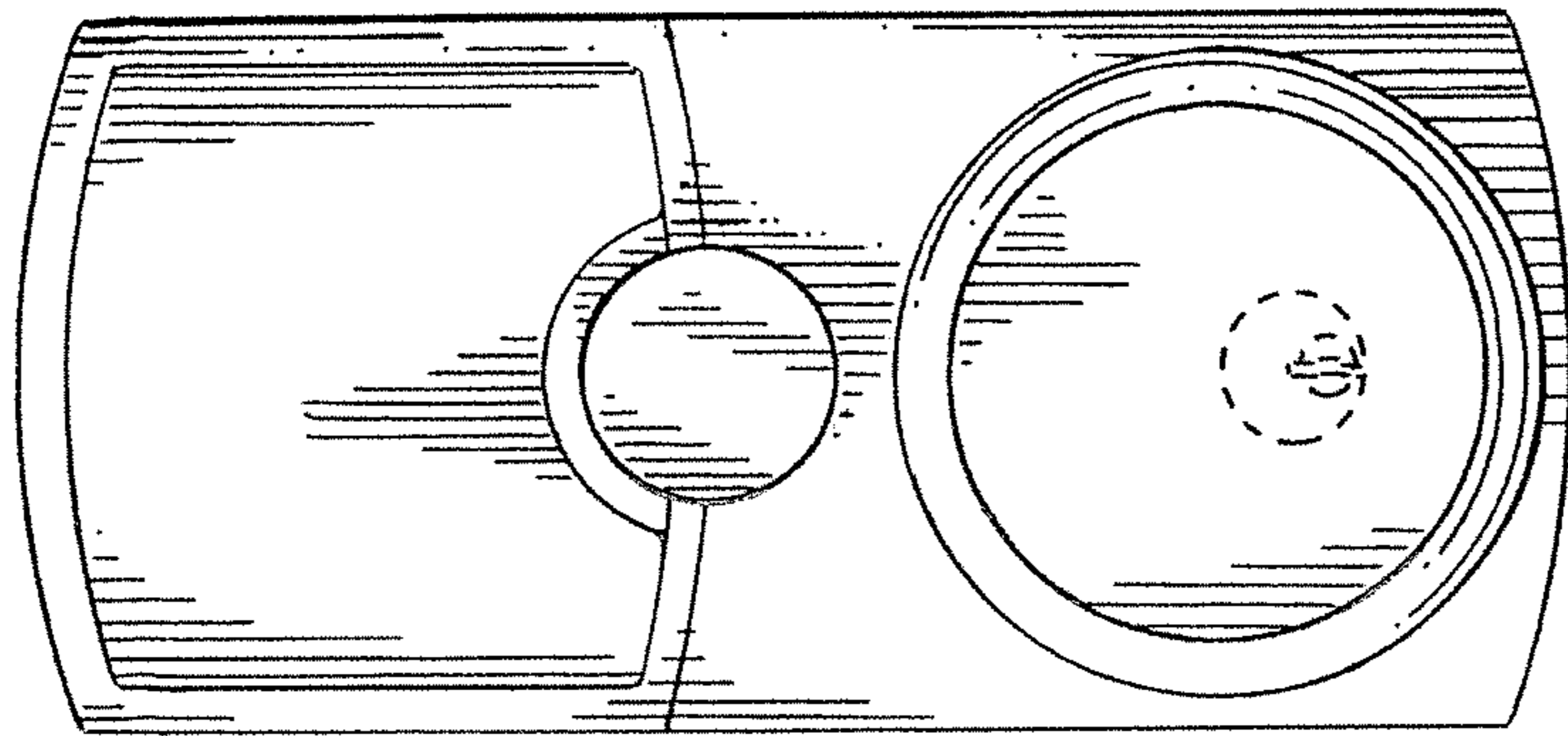


FIG. 1

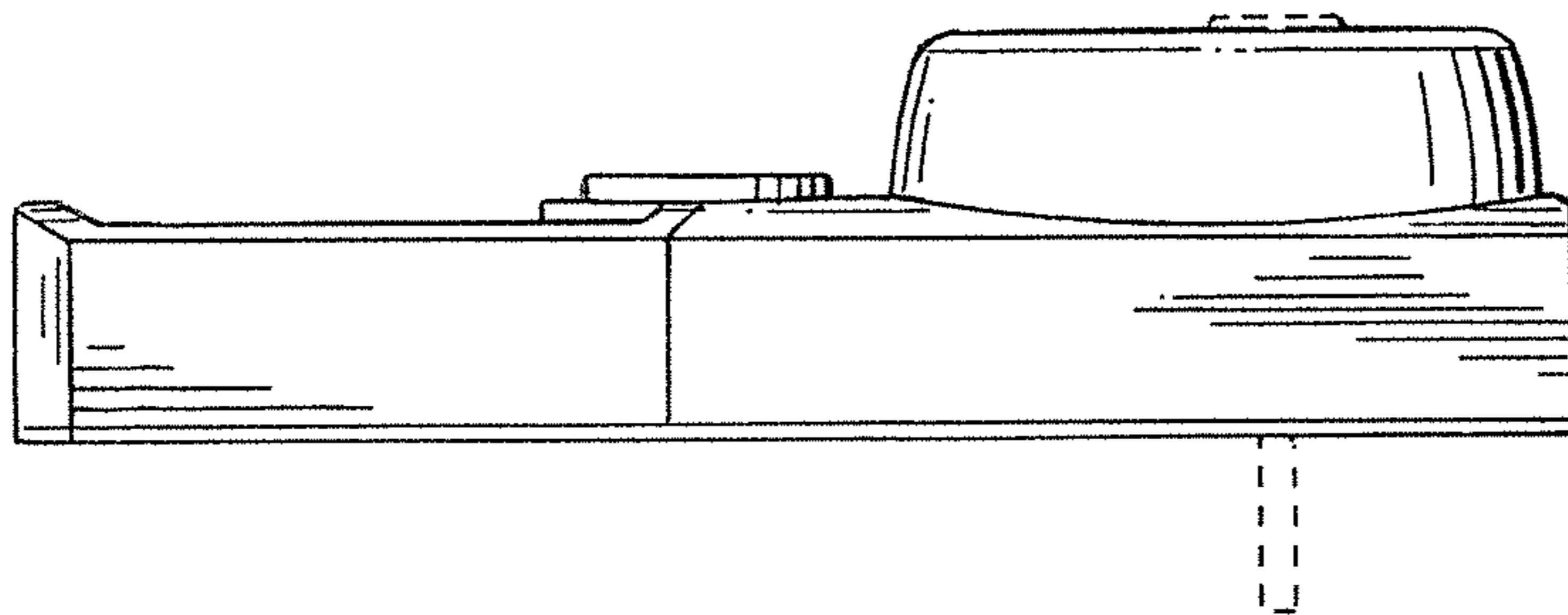


FIG. 2

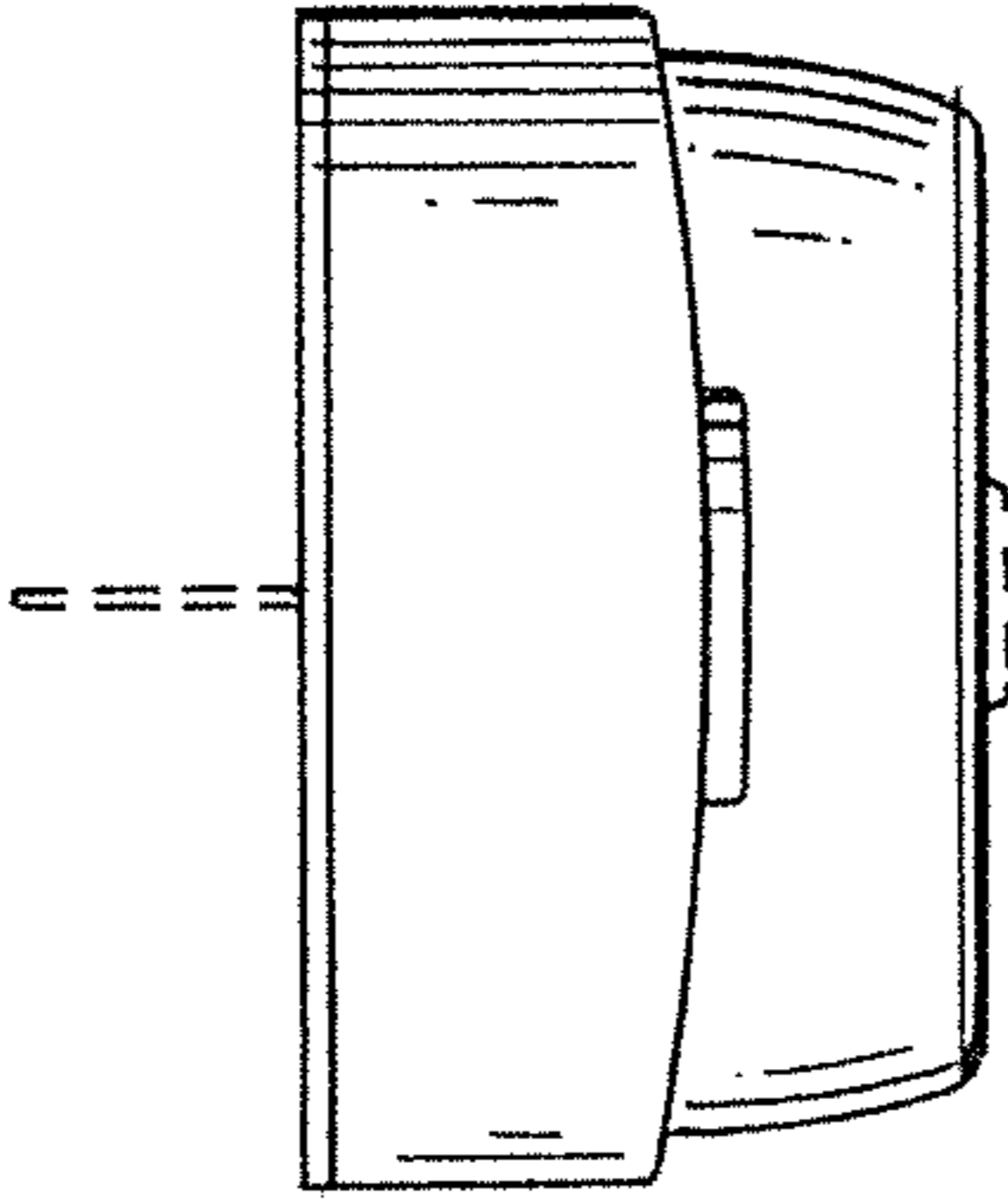


FIG. 5

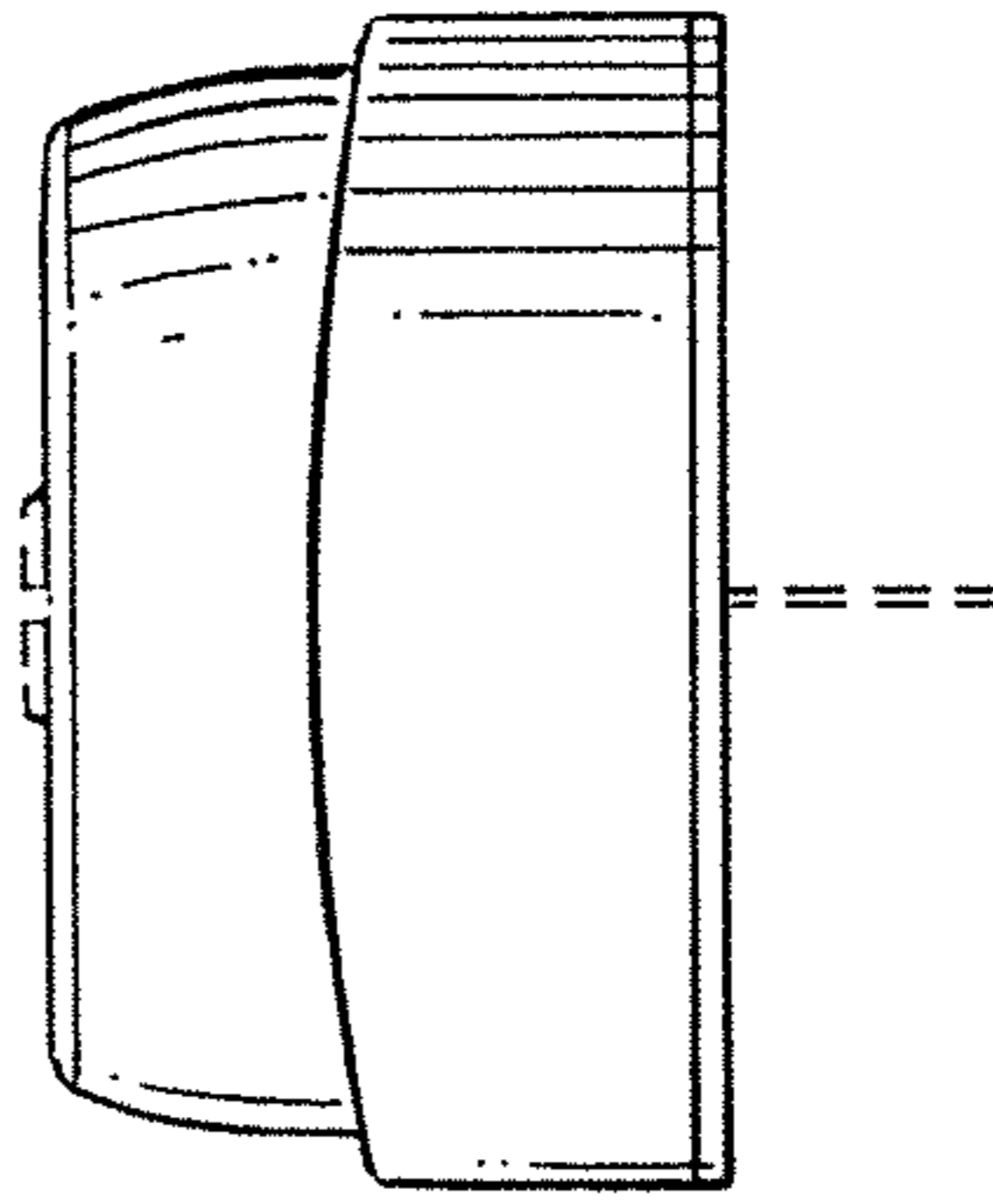


FIG. 6

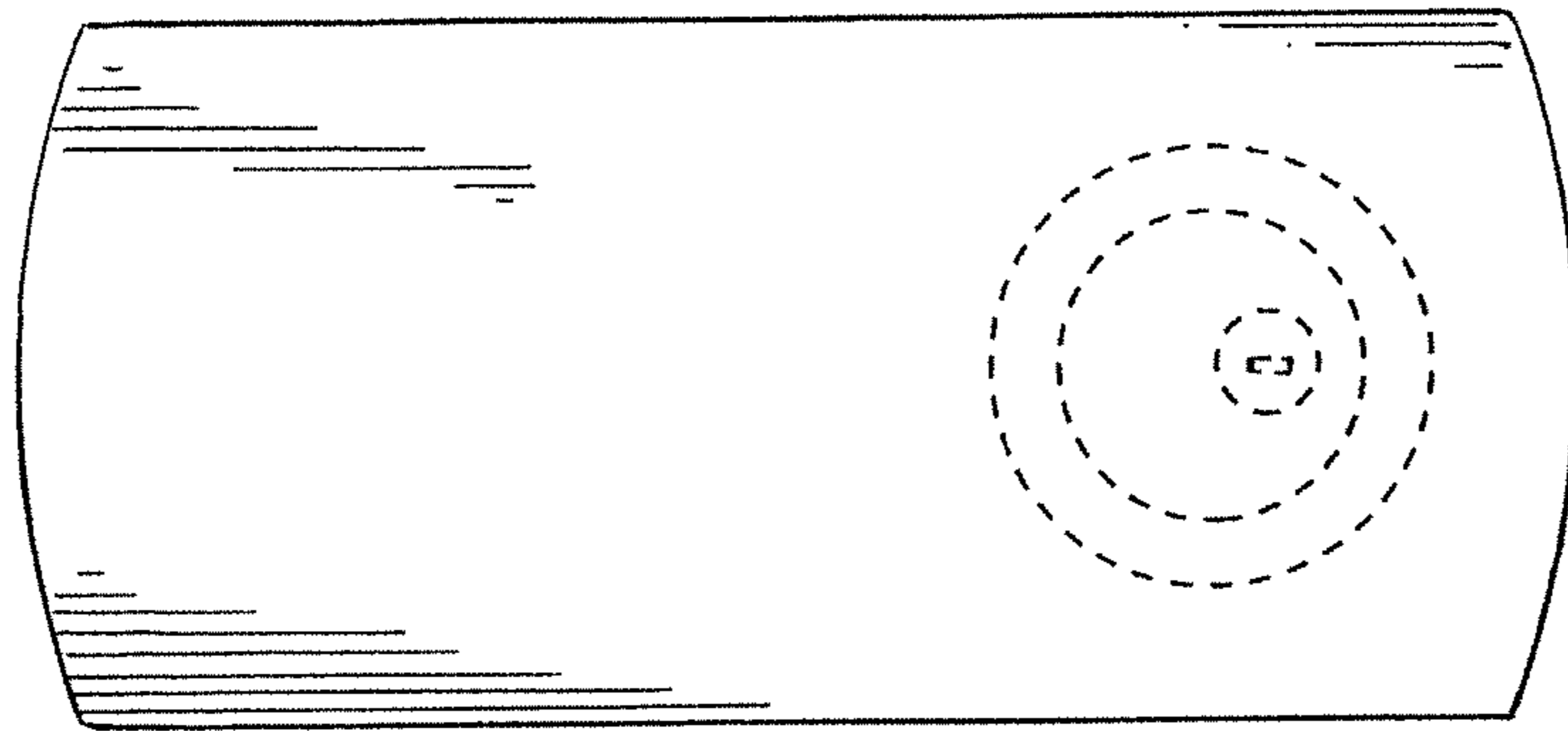


FIG. 4

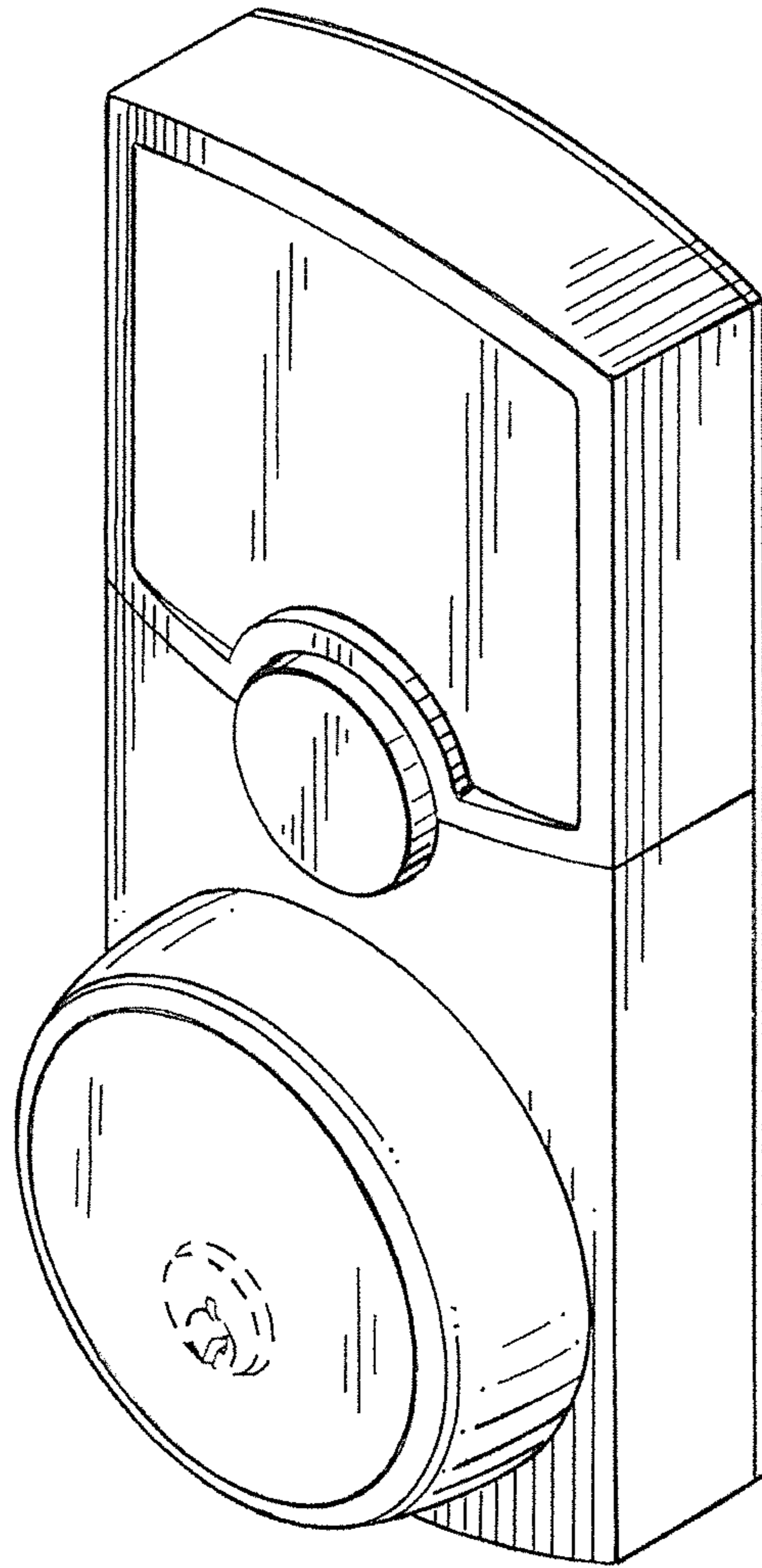


FIG. 7

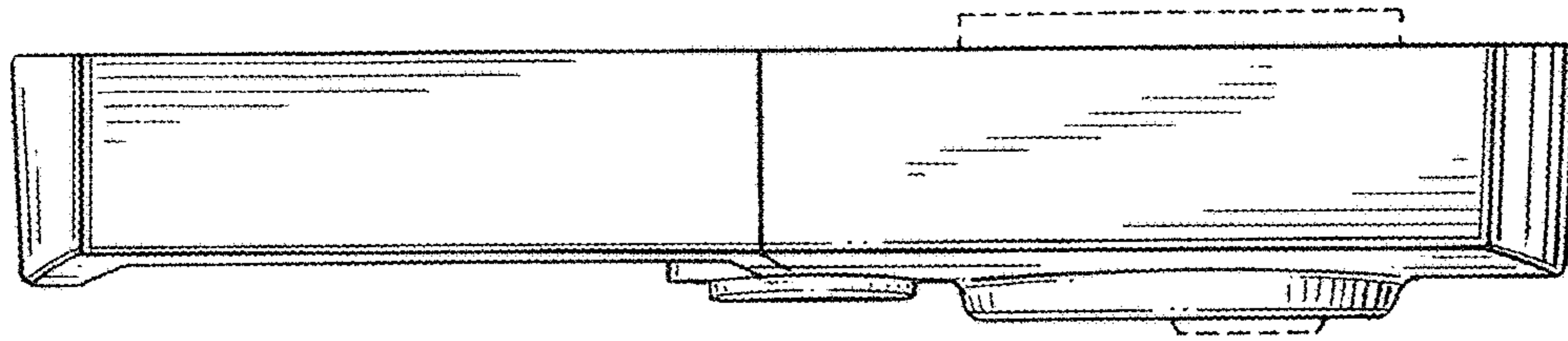


FIG. 10

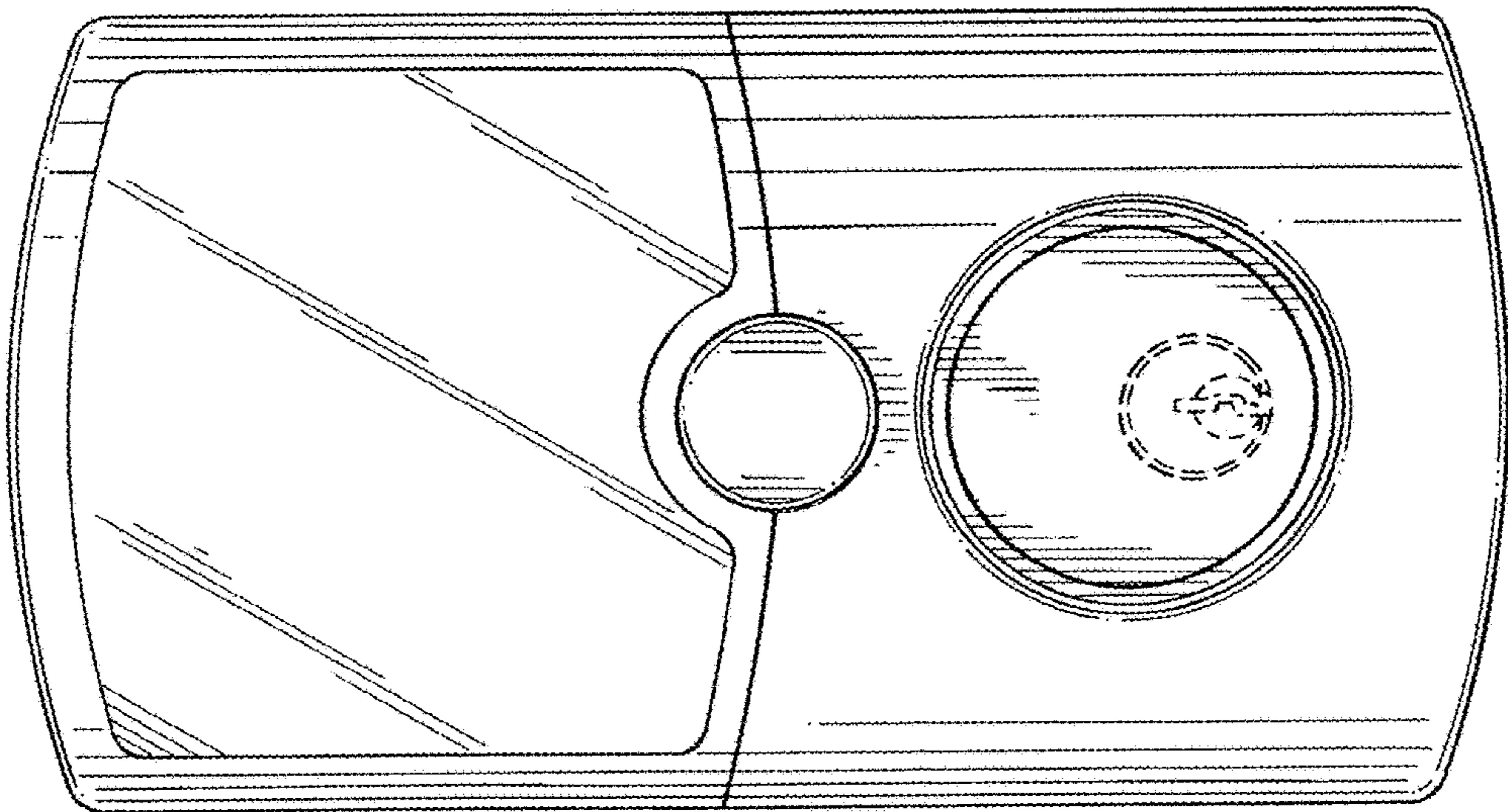


FIG. 8

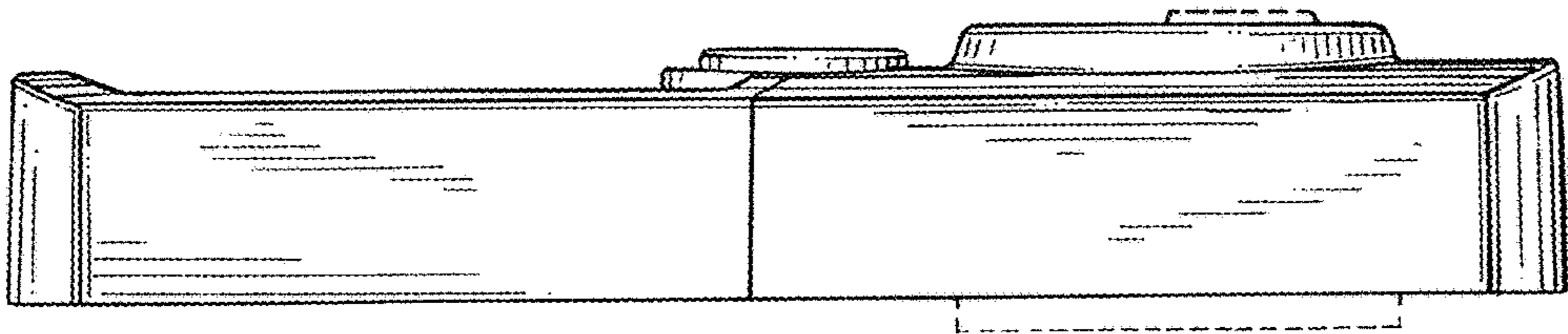


FIG. 9

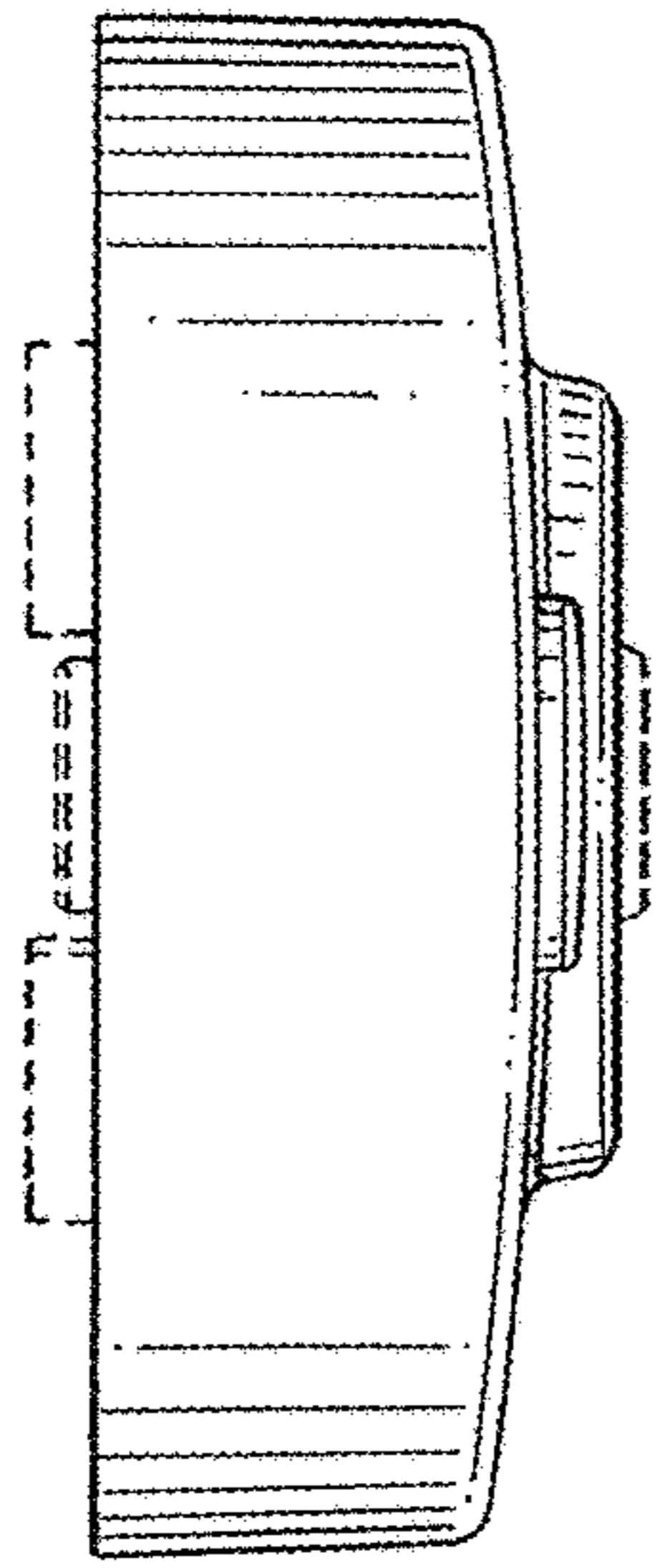


FIG. 12

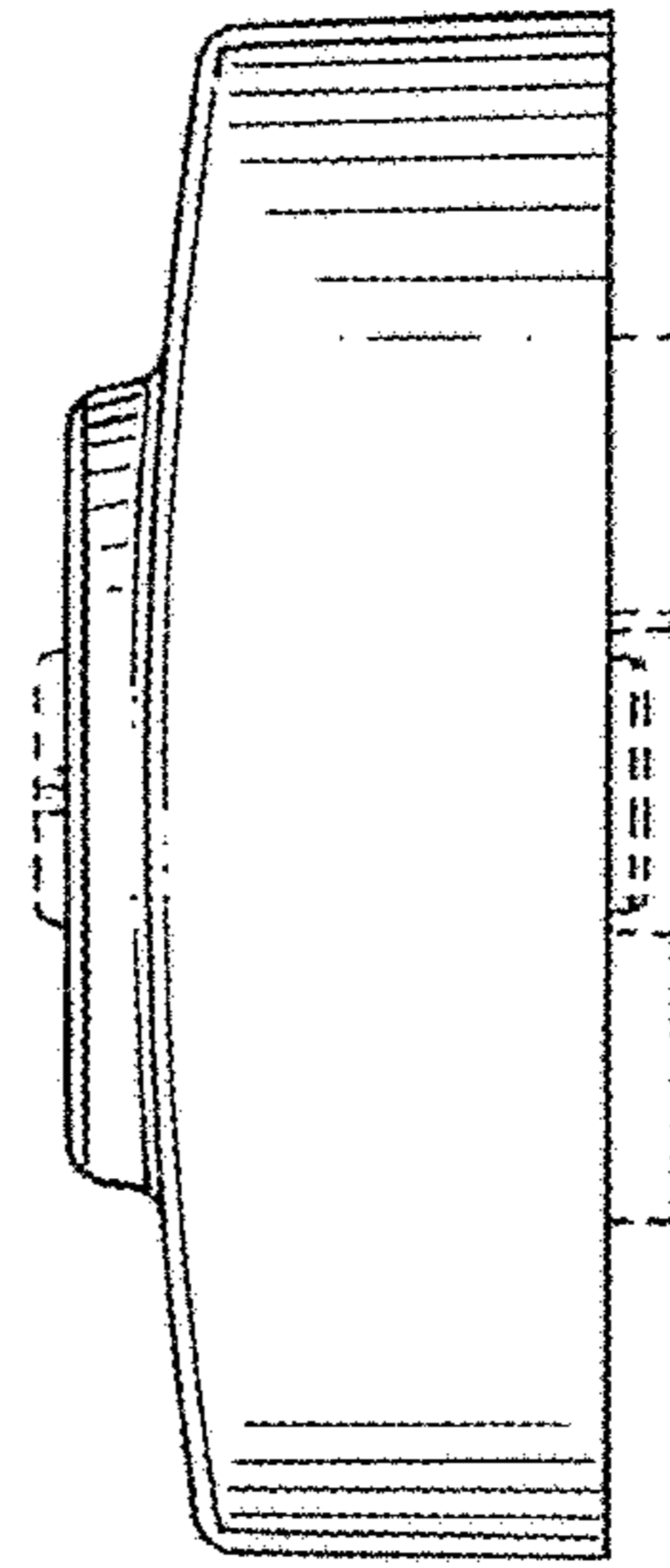


FIG. 13

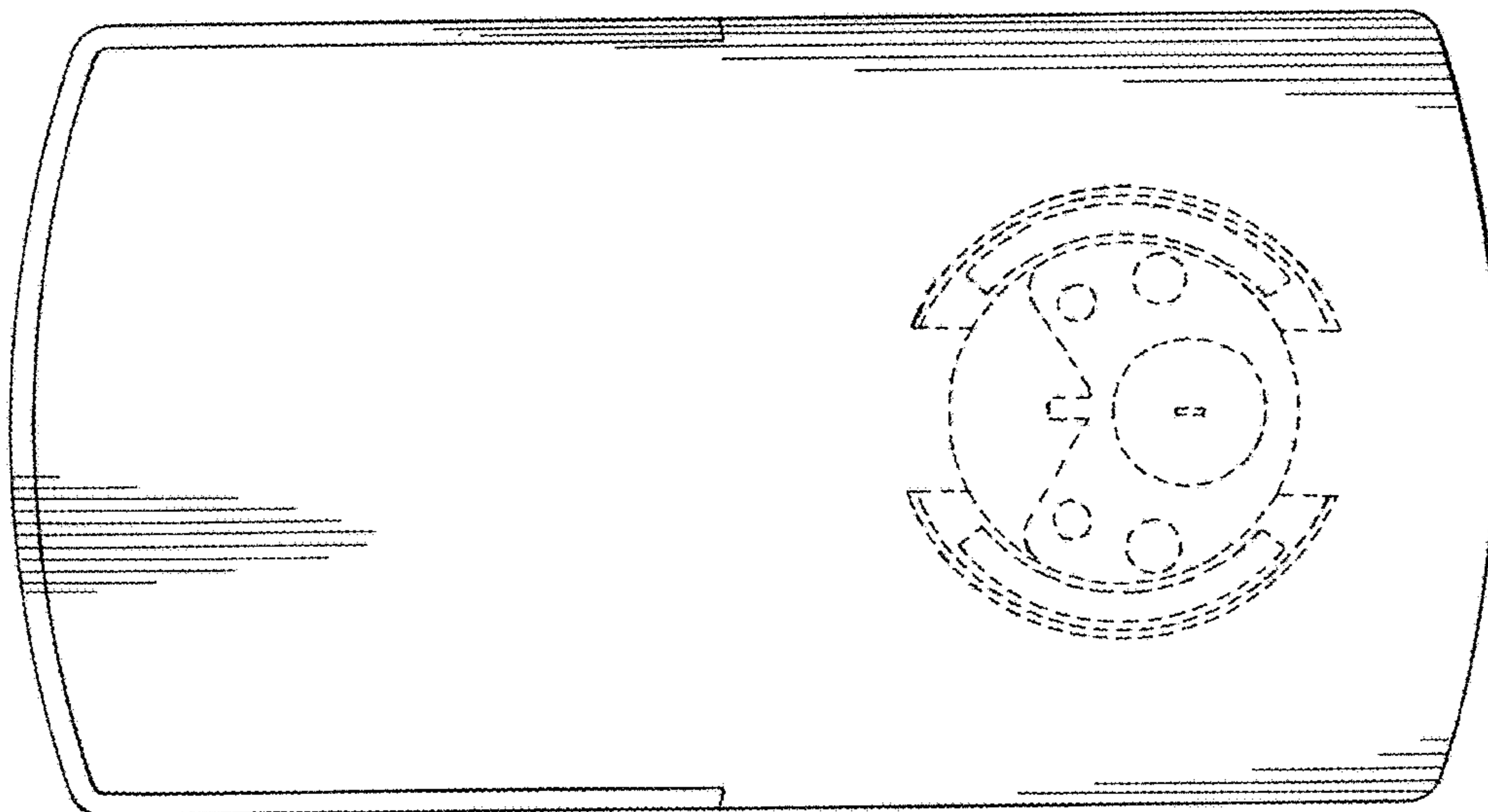


FIG. 11

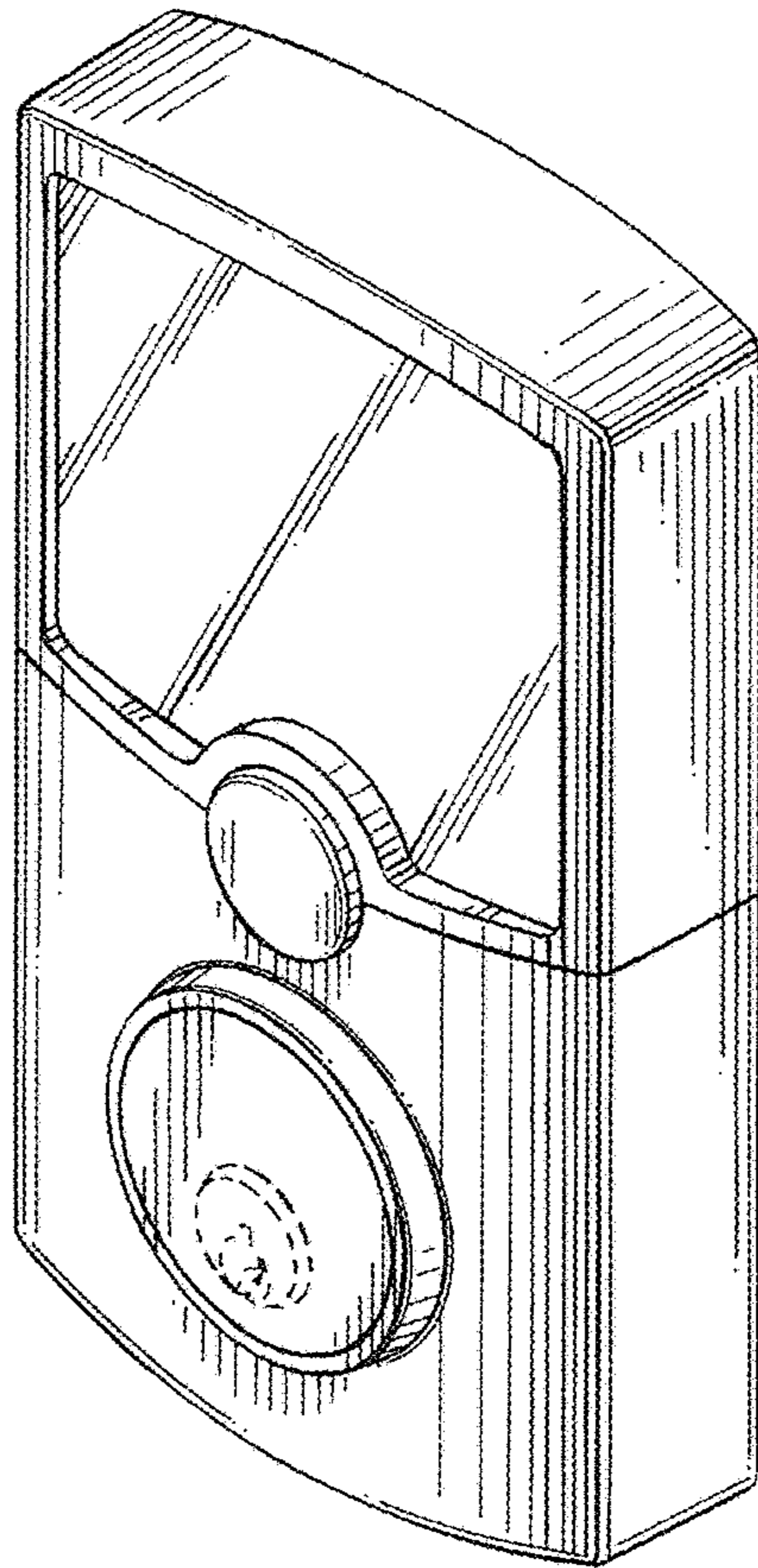


FIG. 14