



US00D783383S

(12) **United States Design Patent** (10) **Patent No.:** **US D783,383 S**  
**Lu** (45) **Date of Patent:** **\*\* Apr. 11, 2017**

(54) **ELECTRIC SUPPORT FOR HEADREST**  
 (71) Applicant: **Dongguan Weihong Hardware and Plastic Products Co., Ltd.**, Dongguan (CN)  
 (72) Inventor: **Wei Lu**, Dongguan (CN)  
 (73) Assignee: **DONGGUAN WEIHONG HARDWARE AND PLASTIC PRODUCTS CO., LTD.**, Dongguan (CN)  
 (\*\*) Term: **15 Years**  
 (21) Appl. No.: **29/548,878**  
 (22) Filed: **Dec. 17, 2015**  
 (30) **Foreign Application Priority Data**

Sep. 8, 2015 (CN) ..... 201530344563  
 (51) **LOC (10) Cl.** ..... **08-06**  
 (52) **U.S. Cl.**  
 USPC ..... **D8/323**; D6/716.5  
 (58) **Field of Classification Search**  
 USPC ..... D8/323, 349, 354, 359, 367, 380;  
 D6/304, 334, 335, 336, 356, 366, 553,  
 D6/702, 705, 715, 716, 716.1, 716.4,  
 D6/716.5; D3/304; D12/400, 406, 416,  
 D12/420, 425; D13/133, 147, 152, 156,  
 D13/174; D15/88, 199; D21/330, 335,  
 D21/349, 470, 478, 479, 480, 489, 491  
 CPC ..... F16M 11/10; F16M 13/02; F16M 13/00;  
 A47C 17/38; A47C 7/18; A47C 7/30;  
 A47C 17/16; A47C 20/04; A47C 20/041;  
 B60N 2/4847; B60N 2/4228; B60N 2/48;  
 B60N 2/4802; B60N 2/4861; B60N  
 2/4855; B60N 2/4817; B60N 2/4882;  
 B60N 2/4885; B60N 2/02; B60N 2/427;  
 B60N 2/68; B60N 2/42;

(Continued)

(56) **References Cited**  
 U.S. PATENT DOCUMENTS  
 2,904,822 A \* 9/1959 Rhodes ..... E05D 3/06  
 16/288  
 3,349,877 A \* 10/1967 Downs ..... A47C 20/041  
 192/48.9

(Continued)

**OTHER PUBLICATIONS**  
 Sofa Bed Mechanism Furniture Table Fittings, posted at Alibaba.com, posting date Mar. 17, 2016, [online], [site visited Sep. 1, 2016]. Available from Internet, <URL: [https://www.alibaba.com/product-detail/Sofa-Bed-Mechanism-Furniture-Table-Fittings\\_60363495599.html?spm=a2700.7724838.0.0.E7WufU](https://www.alibaba.com/product-detail/Sofa-Bed-Mechanism-Furniture-Table-Fittings_60363495599.html?spm=a2700.7724838.0.0.E7WufU)>.\*

(Continued)

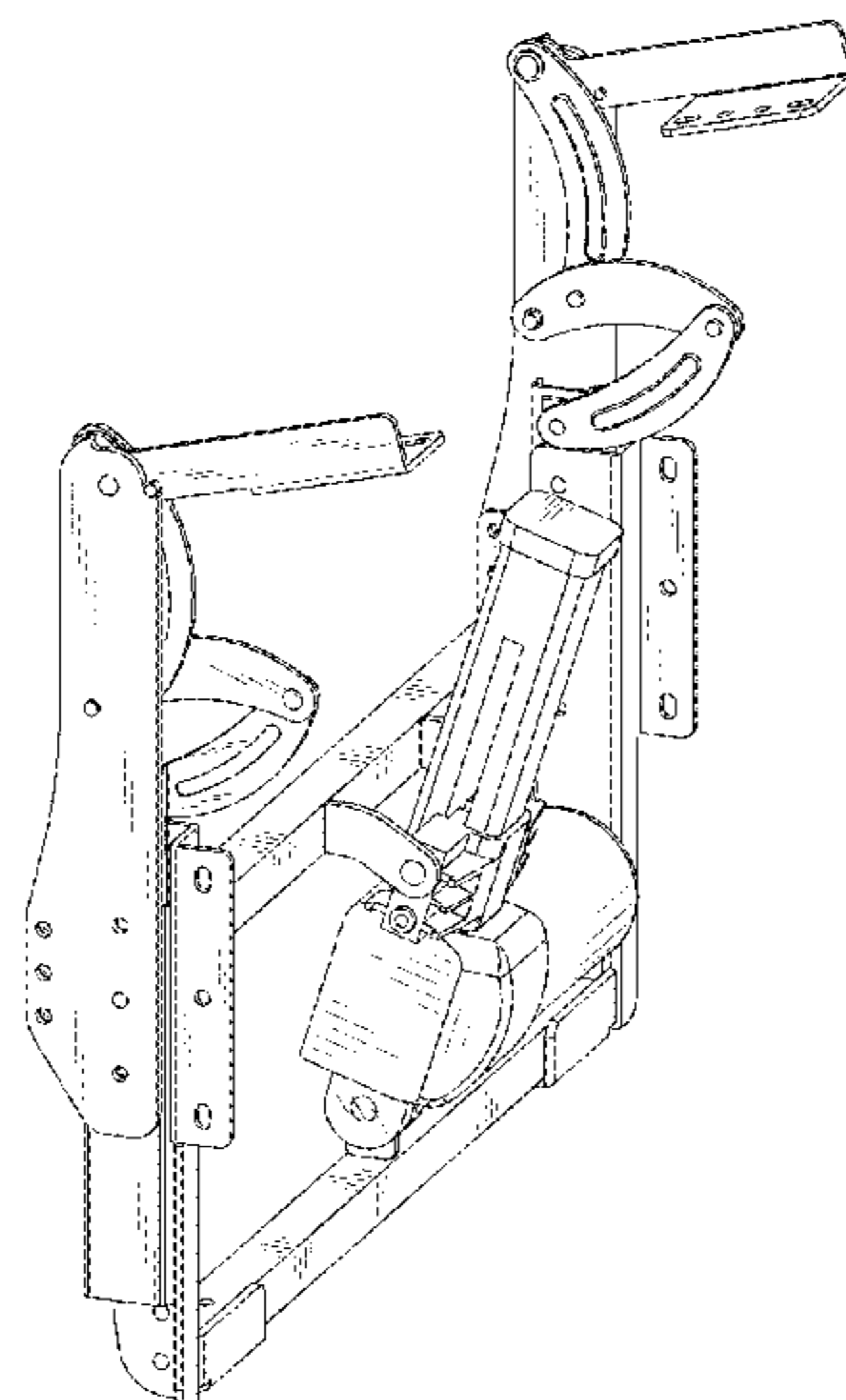
*Primary Examiner* — Caron D Veynar  
*Assistant Examiner* — Catherine Ho  
 (74) *Attorney, Agent, or Firm* — Shimokaji IP

(57) **CLAIM**  
 The ornamental design for an electric support for headrest, as shown and described.

**DESCRIPTION**

FIG. 1 is a front elevational view of an electric support for headrest showing my new design;  
 FIG. 2 is a rear elevational view thereof;  
 FIG. 3 is a left side elevational view thereof;  
 FIG. 4 is a right side elevational view thereof;  
 FIG. 5 is a top plan view thereof;  
 FIG. 6 is a bottom plan view thereof;  
 FIG. 7 is a first perspective view thereof;  
 FIG. 8 is a second perspective view thereof; and,  
 FIG. 9 is a perspective view showing another position thereof to be used.

**1 Claim, 7 Drawing Sheets**



(58) **Field of Classification Search**  
 CPC .. B60N 2/44; H02G 3/18; F16C 21/00; E05D  
 3/00; E05D 3/06  
 See application file for complete search history.

(56) **References Cited**

U.S. PATENT DOCUMENTS

|              |      |         |                |                          |
|--------------|------|---------|----------------|--------------------------|
| 3,673,635    | A *  | 7/1972  | Cencioni ..... | E05D 3/06<br>16/358      |
| 3,986,218    | A *  | 10/1976 | Mizelle .....  | A47C 17/16<br>5/43       |
| 5,033,160    | A *  | 7/1991  | Salice .....   | E05D 3/06<br>16/240      |
| 6,345,679    | B1 * | 2/2002  | Sasaki .....   | B60R 21/38<br>180/271    |
| 6,687,932    | B1 * | 2/2004  | Bangert .....  | A47C 20/041<br>5/617     |
| D717,633     | S *  | 11/2014 | Lu .....       | D8/323                   |
| D719,434     | S *  | 12/2014 | Lu .....       | D8/323                   |
| D744,808     | S *  | 12/2015 | Lu .....       | D8/323                   |
| D758,164     | S *  | 6/2016  | Lu .....       | D8/323                   |
| 2003/0218113 | A1 * | 11/2003 | Sullivan ..... | F16M 11/22<br>248/346.07 |
| 2004/0103476 | A1 * | 6/2004  | Barcesat ..... | A47C 20/041<br>5/618     |
| 2004/0194213 | A1 * | 10/2004 | Weinman .....  | A61G 7/015<br>5/618      |

|              |      |        |                |                          |
|--------------|------|--------|----------------|--------------------------|
| 2010/0127542 | A1 * | 5/2010 | Nishiura ..... | B60N 2/4817<br>297/217.3 |
| 2014/0259388 | A1 * | 9/2014 | Manson .....   | A61G 7/053<br>5/37.1     |
| 2016/0088945 | A1 * | 3/2016 | Lu .....       | A47C 7/38<br>297/463.1   |
| 2016/0227934 | A1 * | 8/2016 | Lu .....       | F16H 21/44               |

OTHER PUBLICATIONS

Sofa Hinge (WH-0305), posted at Made-in-china.com, posting date Mar. 8, 2011, [online], [site visited Sep. 1, 2016]. Available from Internet, <URL: <http://www.made-in-china.com/showroom/product-images/China-Sofa-Hinge-WH-0305--253ZWJob25nY-MbkJKyCwSVF.html>>.\*

Furniture Hardware/Sofa Hinge (WH-0246), posted at Made-in-china.com, posting date Mar. 8, 2011, [online], [site visited Sep. 1, 2016]. Available from Internet, <URL: <http://www.made-in-china.com/showroom/product-images/China-Furniture-Hardware-Sofa-Hinge-WH-0246--253ZWJob25nY-zMZnmdIThbcr.html>>.\*

Sofa headrest and hinge, posted at Taibobo.com, posting date Apr. 7, 2011, [online], [site visited Sep. 1, 2016]. Available from Internet, <URL: <http://www.taibobo.com/selling-leads/17517/sofa-headrest-and-hinge.html>>.\*

\* cited by examiner

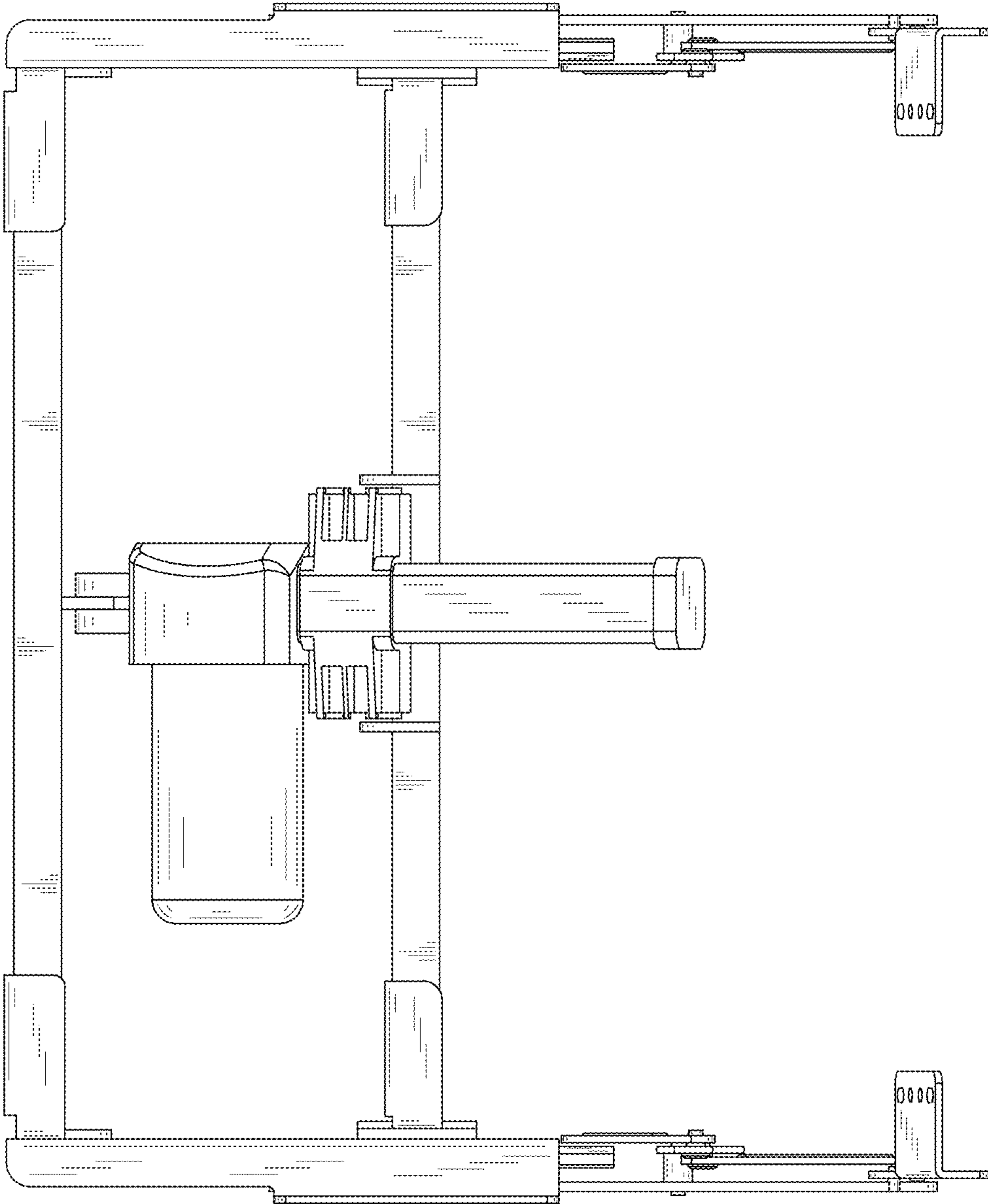


FIG.1

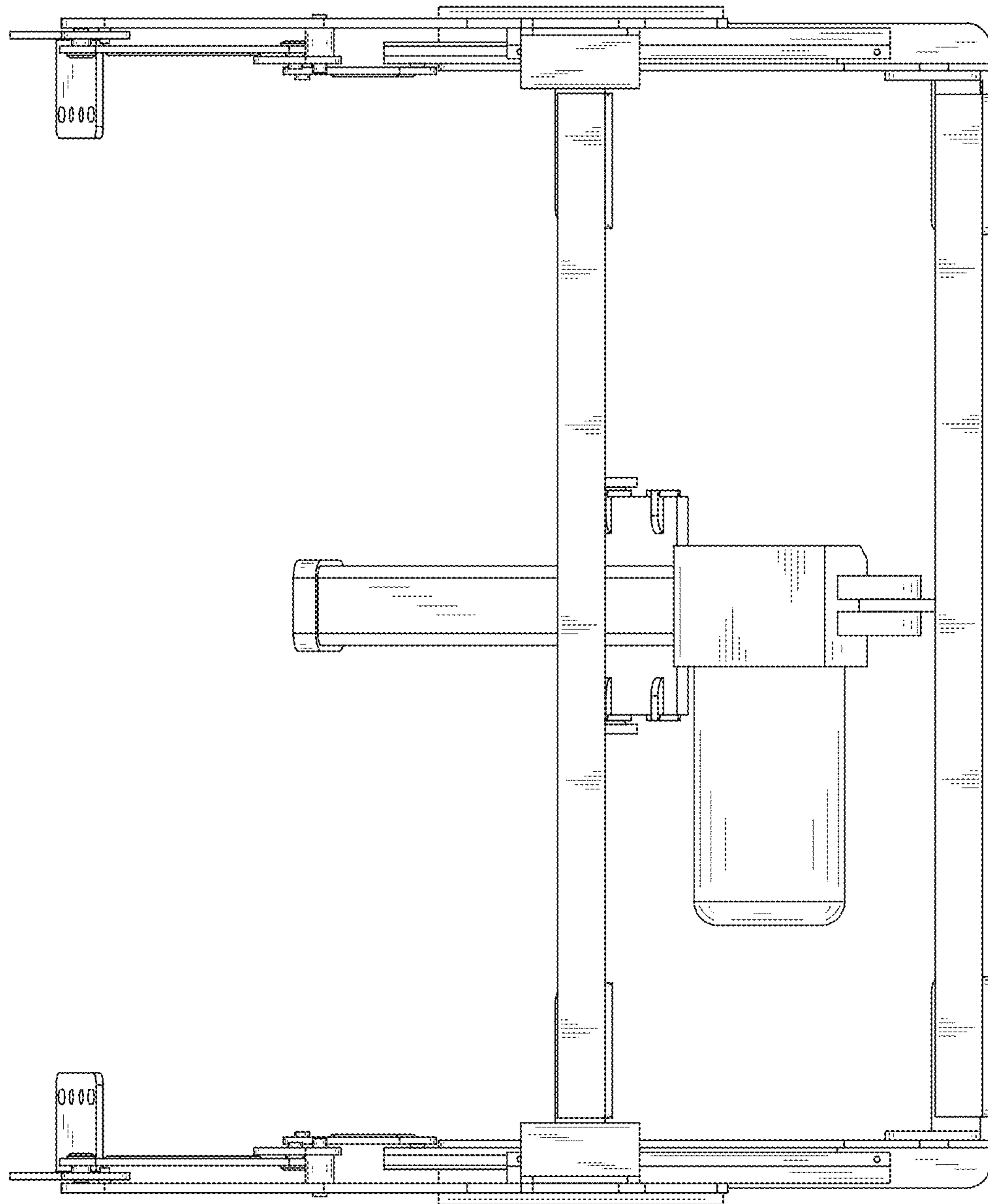


FIG.2

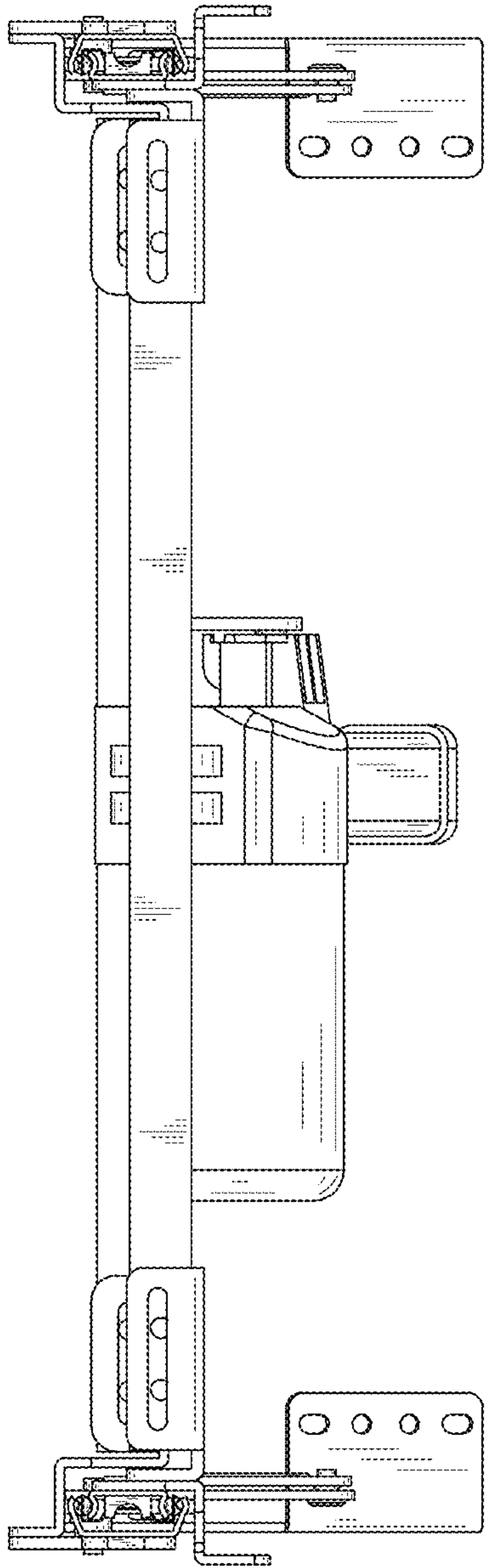


FIG.3

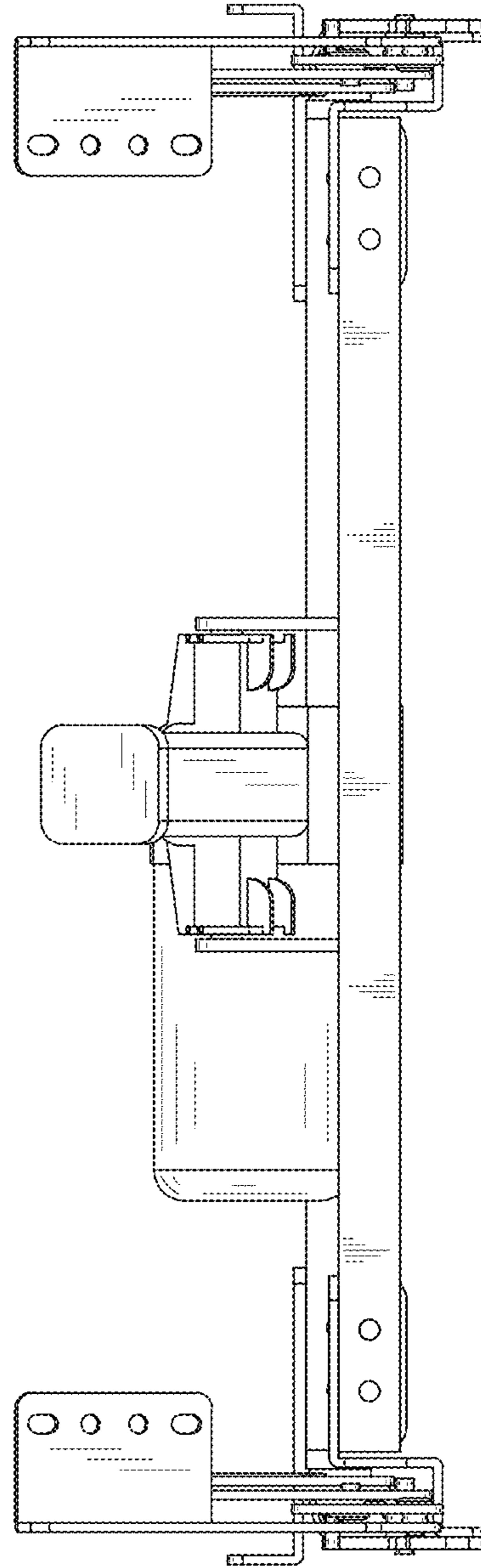


FIG.4

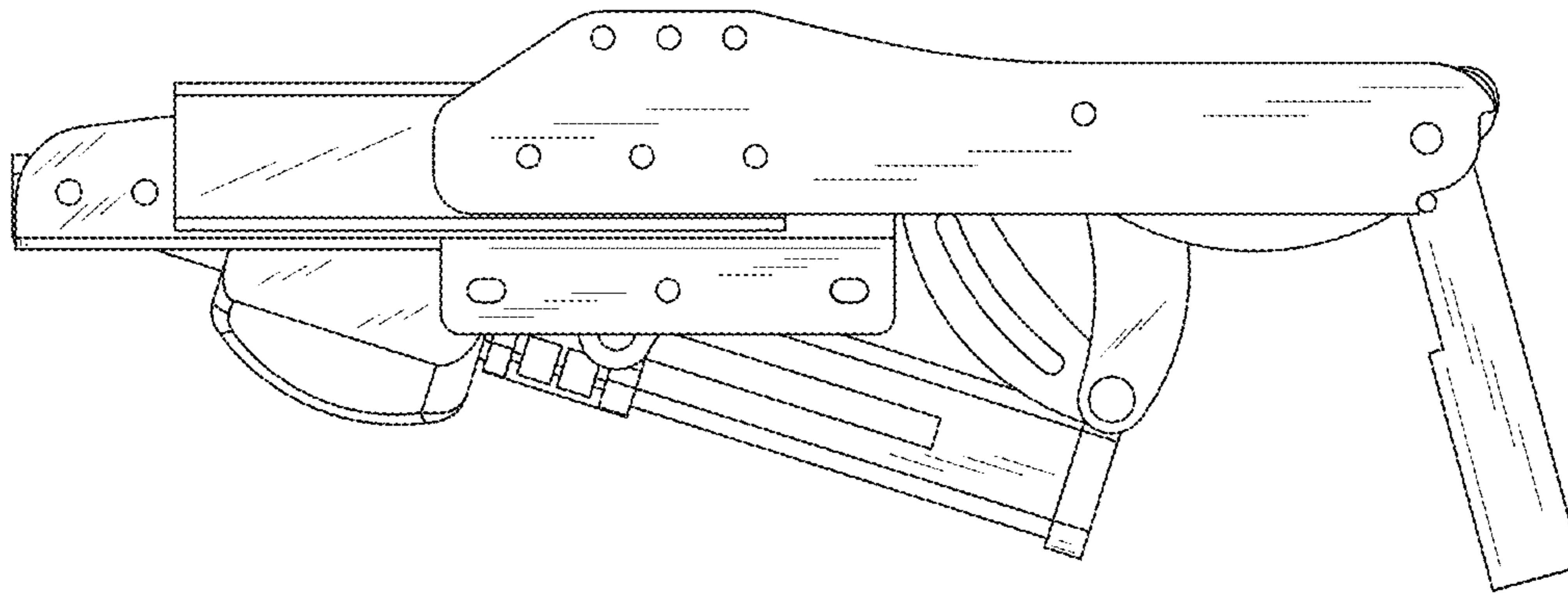


FIG. 5

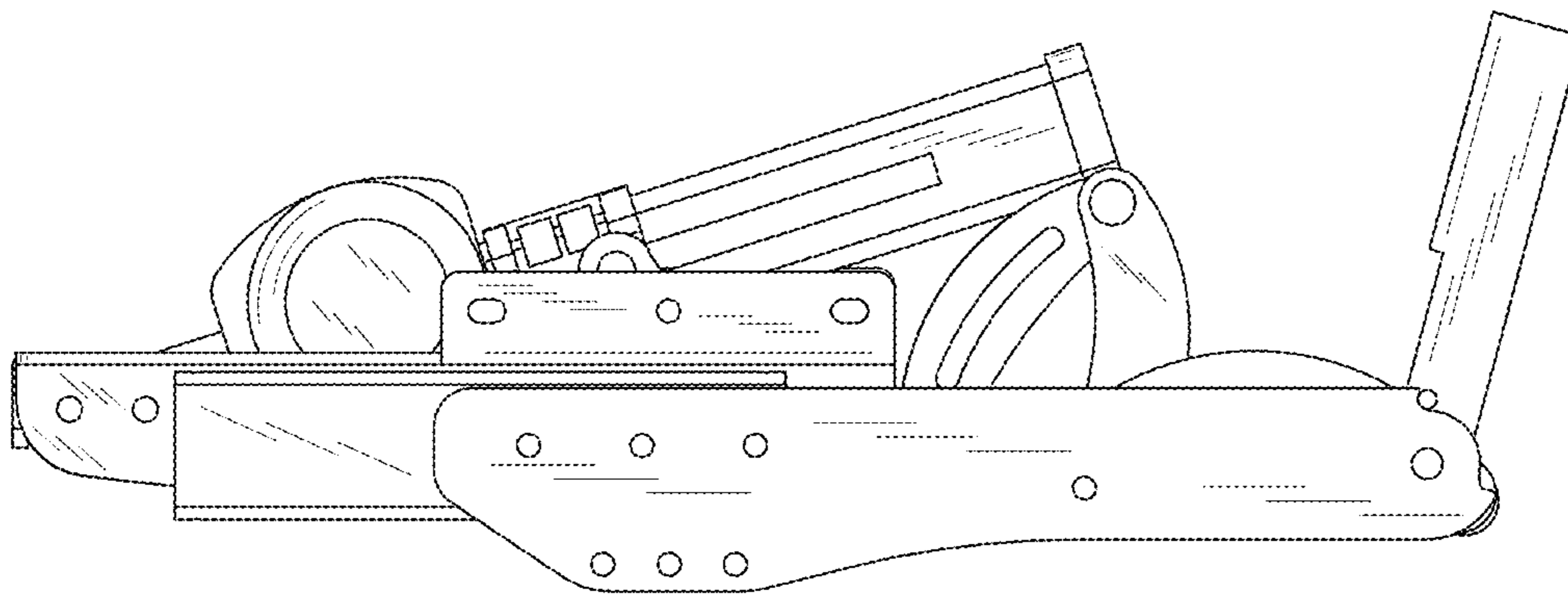


FIG. 6

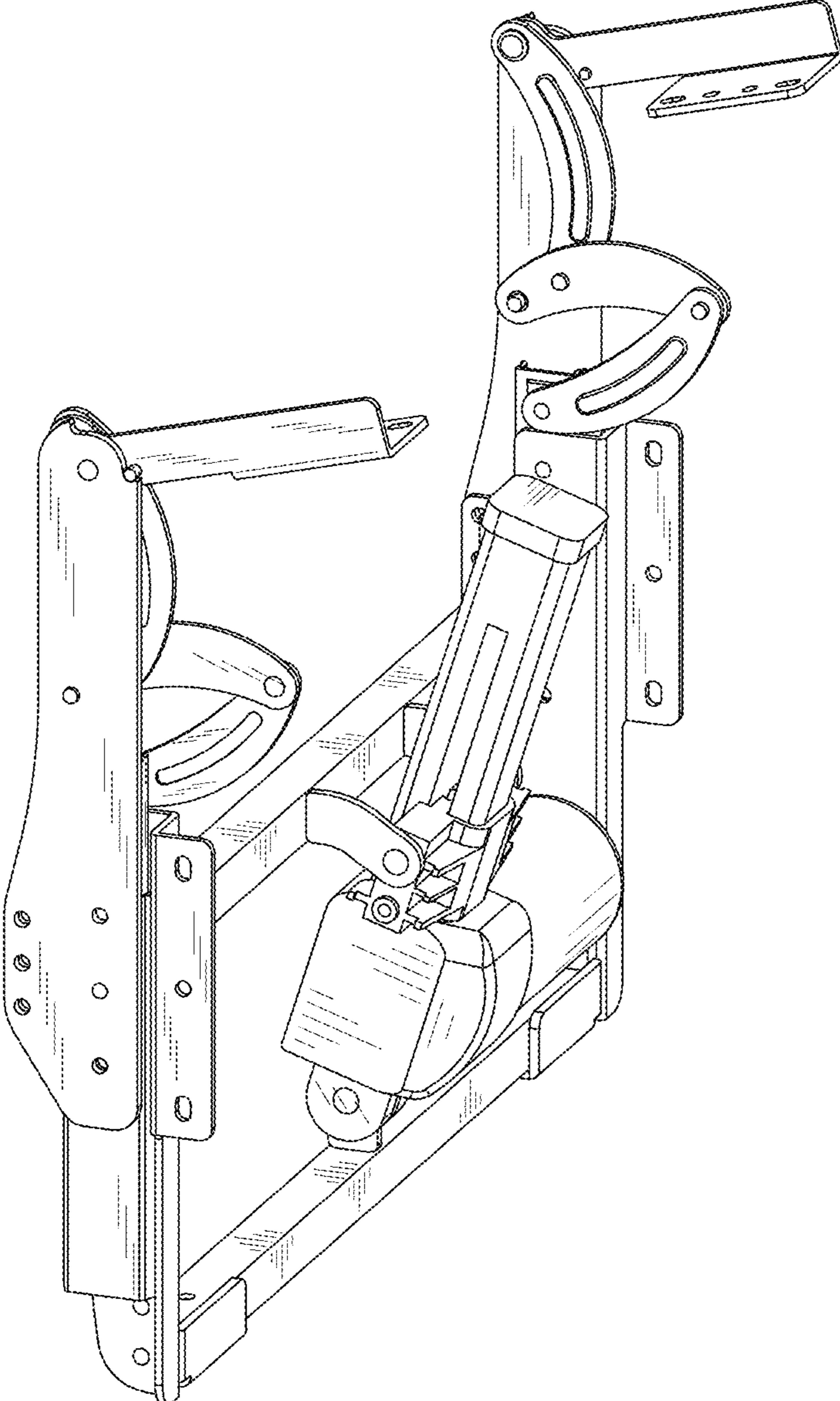


FIG.7

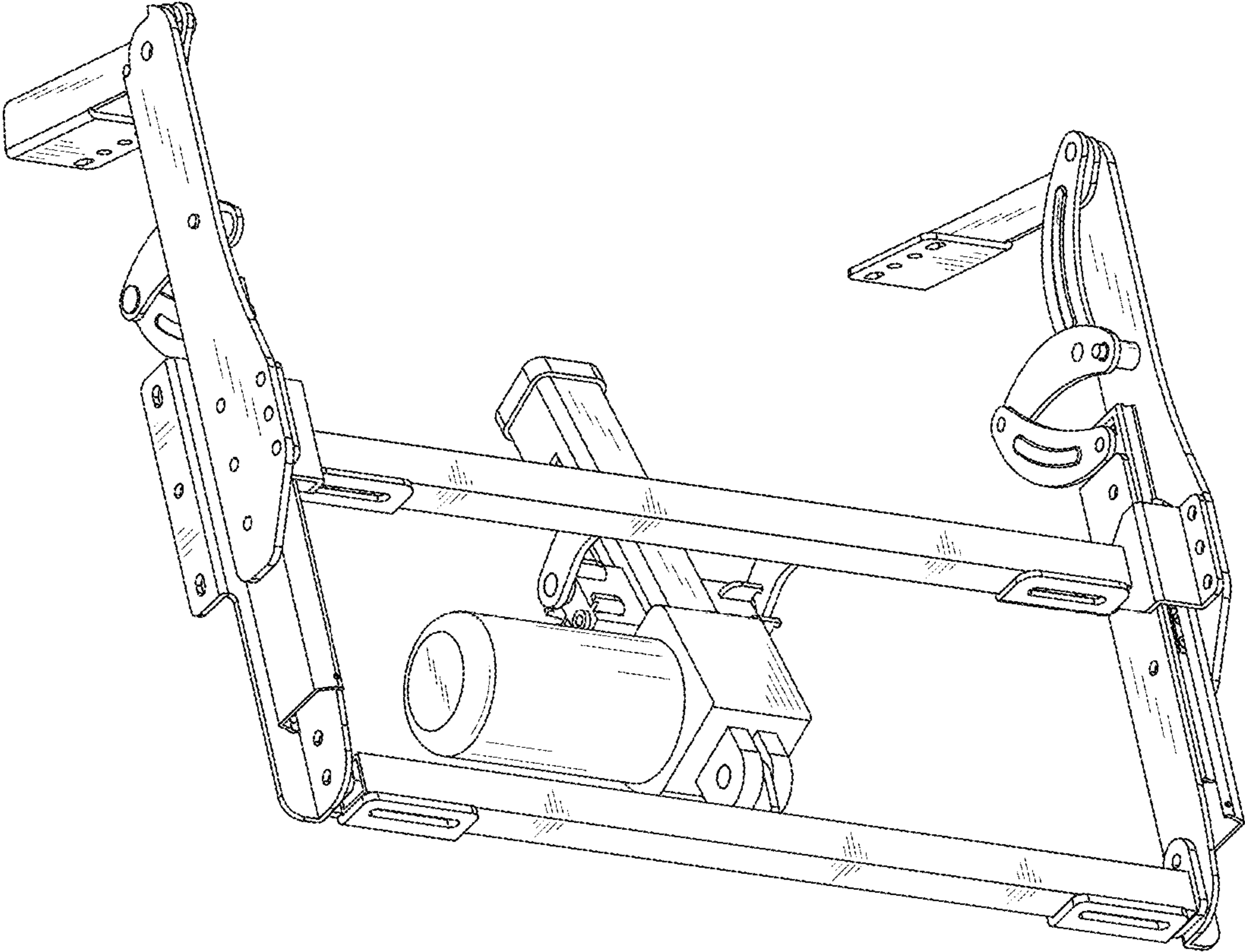


FIG.8



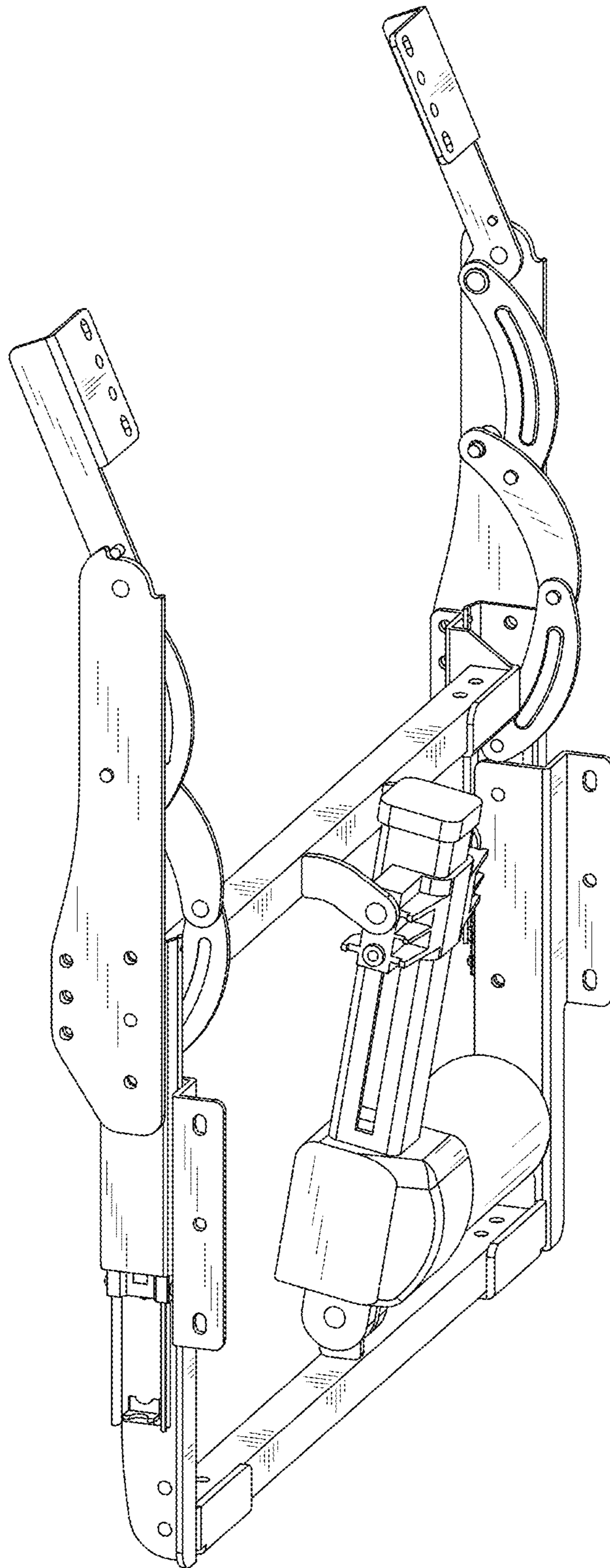


FIG.9