



US00D783381S

(12) **United States Design Patent** (10) **Patent No.:** **US D783,381 S**  
**Robinson** (45) **Date of Patent:** **\*\* Apr. 11, 2017**

(54) **WRENCH STAND**

(71) Applicant: **Gregory N. Robinson**, Clarksburg, MO (US)

(72) Inventor: **Gregory N. Robinson**, Clarksburg, MO (US)

(73) Assignee: **CENTRAL STATES PLASTICS, LLC**, Clarksburg, MO (US)

(\*\*) Term: **14 Years**

(21) Appl. No.: **29/526,282**

(22) Filed: **May 7, 2015**

(51) **LOC (10) Cl.** ..... **08-05**

(52) **U.S. Cl.**  
USPC ..... **D8/71**

(58) **Field of Classification Search**  
USPC ..... D8/14, 71, 72, 106, 349, 354, 355, 380, D8/499; D12/202, 213, 223, 604; D7/387, 213, 553.1, 553.2, 553.6, 554.2, D7/554.3  
CPC ..... B25B 23/00; B60B 29/007; B60B 29/001; B60B 29/00  
See application file for complete search history.

(56) **References Cited**

U.S. PATENT DOCUMENTS

634,100 A	10/1899	Wise	
2,096,825 A *	10/1937	Roman	A47G 19/02 126/246
2,614,444 A	10/1952	Moore	
2,960,895 A	11/1960	Richards	
3,069,945 A	12/1962	Shandel	
3,097,550 A	7/1963	Johnston	
3,158,050 A	11/1964	Shandel	
3,262,341 A	7/1966	Cline et al.	

3,298,665 A	1/1967	Sieloff	
3,577,818 A	5/1971	Cramer et al.	
3,785,618 A	1/1974	Medwick et al.	
3,831,468 A	8/1974	Miller	
D257,108 S *	9/1980	Daenen	D7/587
4,300,412 A	11/1981	Houser et al.	

(Continued)

*Primary Examiner* — Sandra Snapp

*Assistant Examiner* — Ieisha Price

(74) *Attorney, Agent, or Firm* — Bradley IP, LLC; Sean T. Bradley

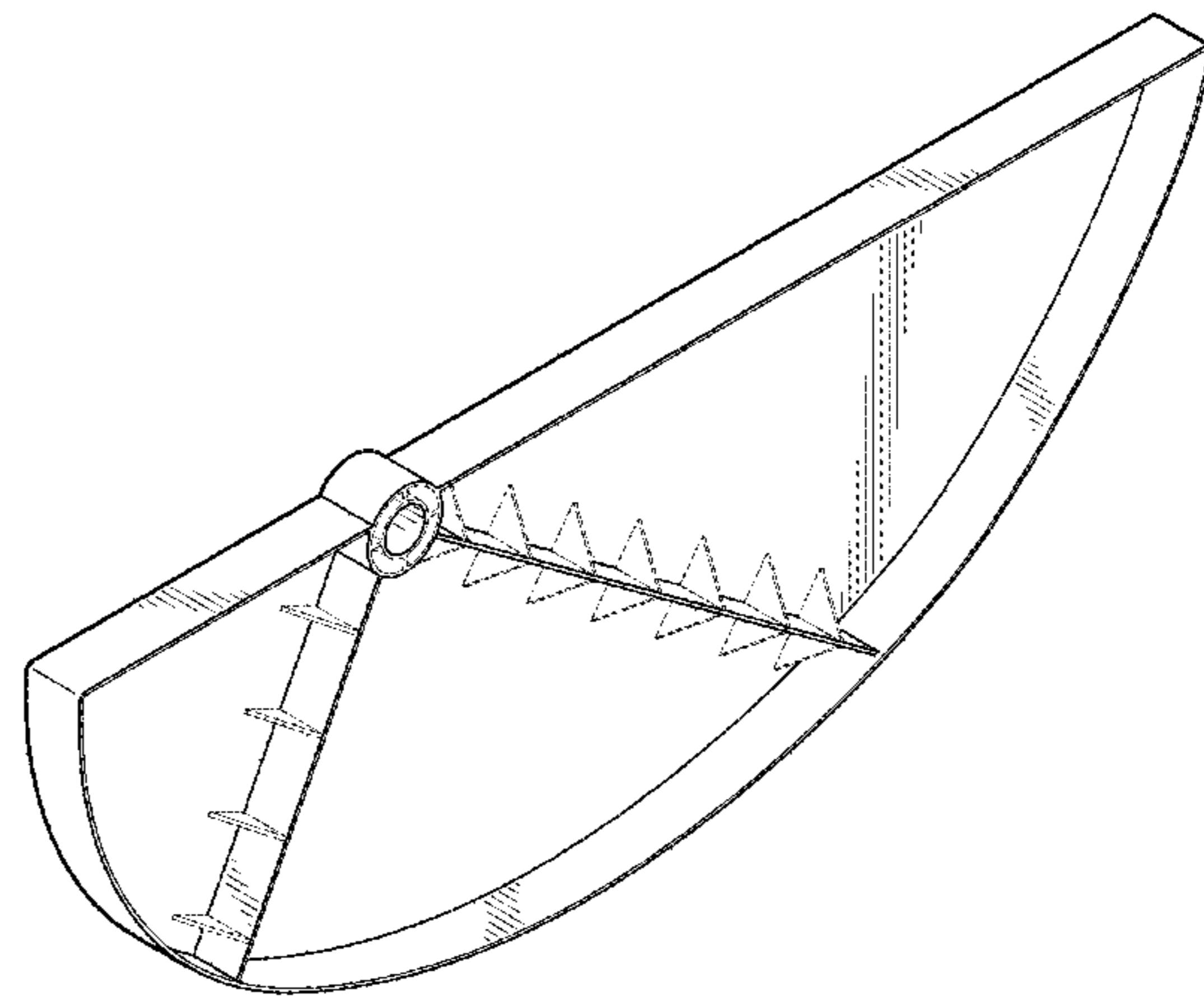
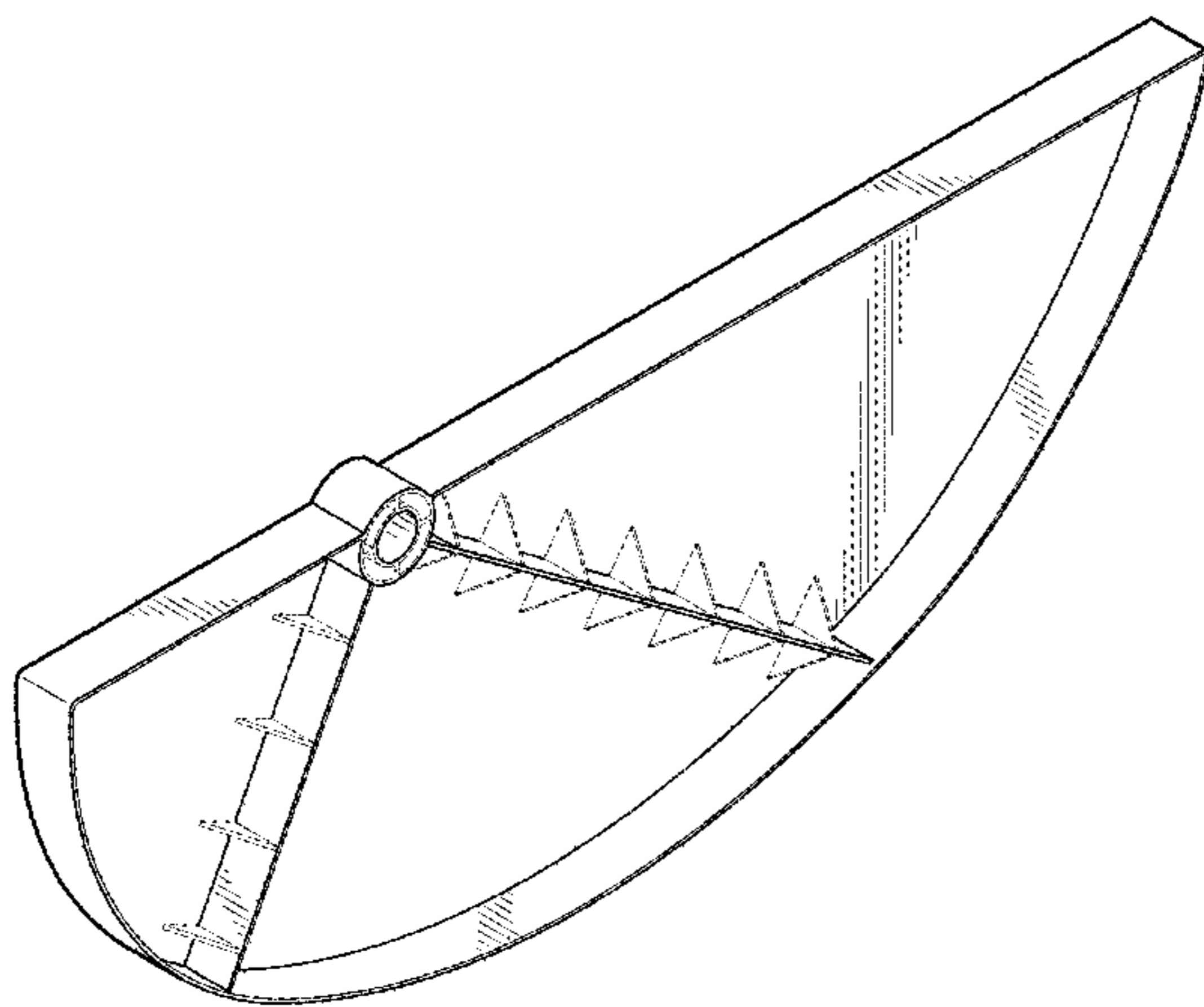
(57) **CLAIM**

The ornamental design for a wrench stand, as shown and described.

**DESCRIPTION**

FIG. 1 is a front perspective view of the first embodiment of my ornamental design for a wrench stand; FIG. 2 is a top plan view of the wrench stand of FIG. 1; FIG. 3 is a front elevation view thereof; FIG. 4 is a bottom plan view thereof; FIG. 5 is a rear elevation view thereof; FIG. 6 is a left elevation view thereof; FIG. 7 is a right elevation view thereof; FIG. 8 is a front perspective view of the second embodiment of my ornamental design for a wrench stand; FIG. 9 is a top plan view of the wrench stand of FIG. 8; FIG. 10 is a front elevation view thereof; FIG. 11 is a bottom plan view thereof; FIG. 12 is a rear elevation view thereof; FIG. 13 is a left elevation view thereof; and, FIG. 14 is a right elevation view thereof. The broken lines in the drawings illustrate portions of the wrench stand and form no part of the claimed design.

**1 Claim, 6 Drawing Sheets**



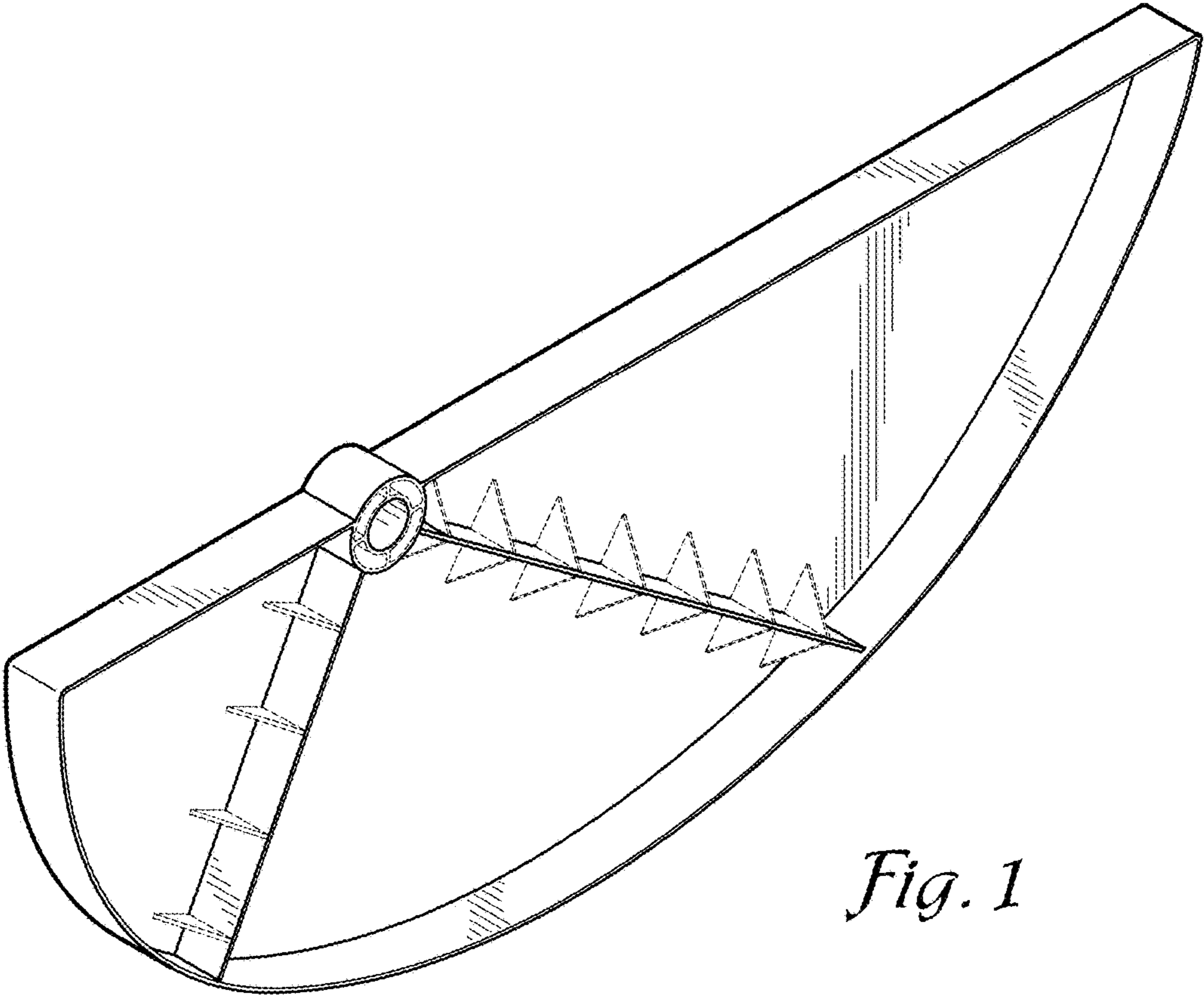
(56)

References Cited

U.S. PATENT DOCUMENTS

4,455,899	A	6/1984	Savell	
4,553,456	A	11/1985	Rafert	
4,619,161	A	10/1986	Reynolds	
4,620,462	A	11/1986	Parker	
4,625,600	A *	12/1986	Koren .....	B60B 29/007 81/180.1
4,630,511	A	12/1986	Shirley	
D290,919	S *	7/1987	Beute .....	D7/543
4,819,523	A	4/1989	Souza	
5,263,392	A *	11/1993	Schoen .....	B60B 29/007 81/180.1
D352,204	S *	11/1994	Hayes .....	D7/546
5,431,074	A *	7/1995	Durante .....	B60B 29/007 81/124.4
D373,933	S *	9/1996	Gibbs, III .....	D7/546
5,615,863	A *	4/1997	Bailey .....	B66F 3/005 254/94
5,910,198	A *	6/1999	Maher .....	B60B 29/007 81/180.1
D478,269	S *	8/2003	Snyder .....	D23/249
6,662,692	B2	12/2003	Anderson et al.	
7,121,175	B2	10/2006	Anderson	
D559,615	S *	1/2008	Laib .....	D7/387
D593,479	S *	6/2009	David .....	D12/213
D686,460	S *	7/2013	Maggio .....	D7/553.1
D687,283	S *	8/2013	Robinson .....	D8/71
9,278,438	B2	3/2016	Robinson et al.	
2013/0305888	A1 *	11/2013	Robinson .....	B25B 23/00 81/462

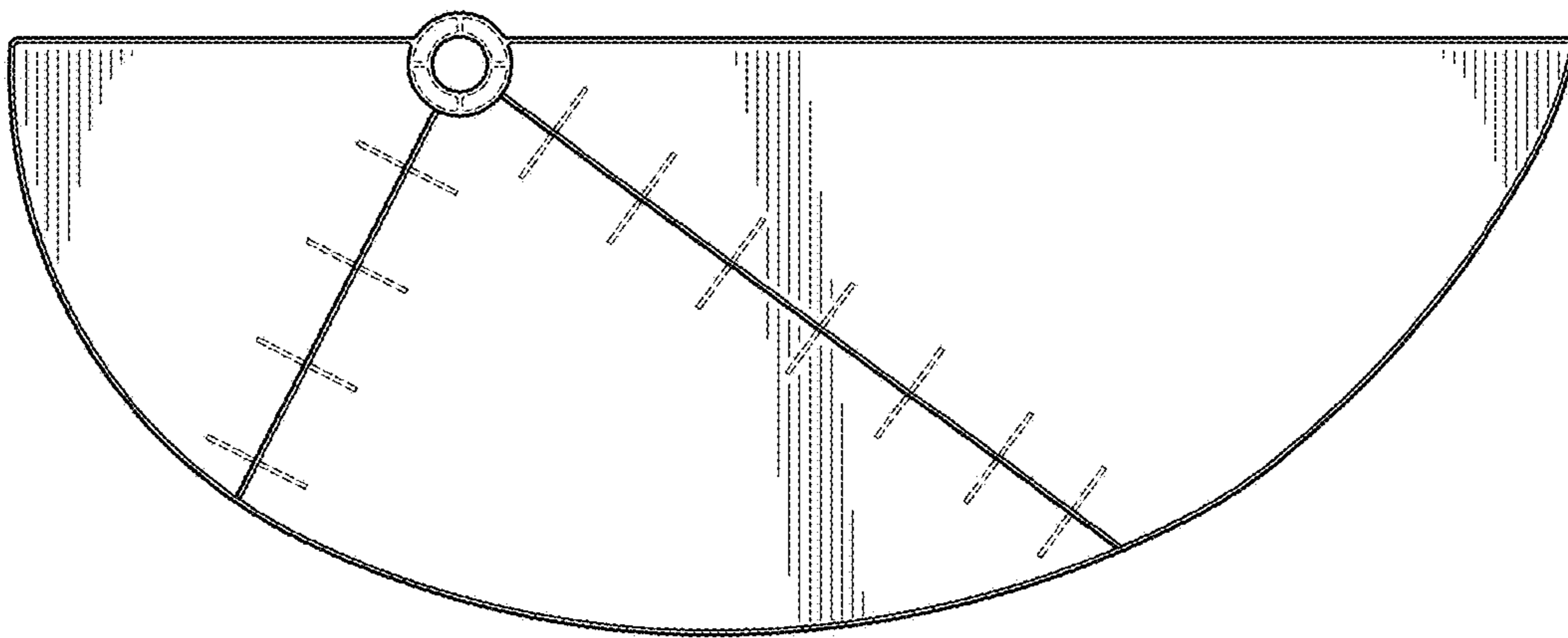
\* cited by examiner



*Fig. 1*



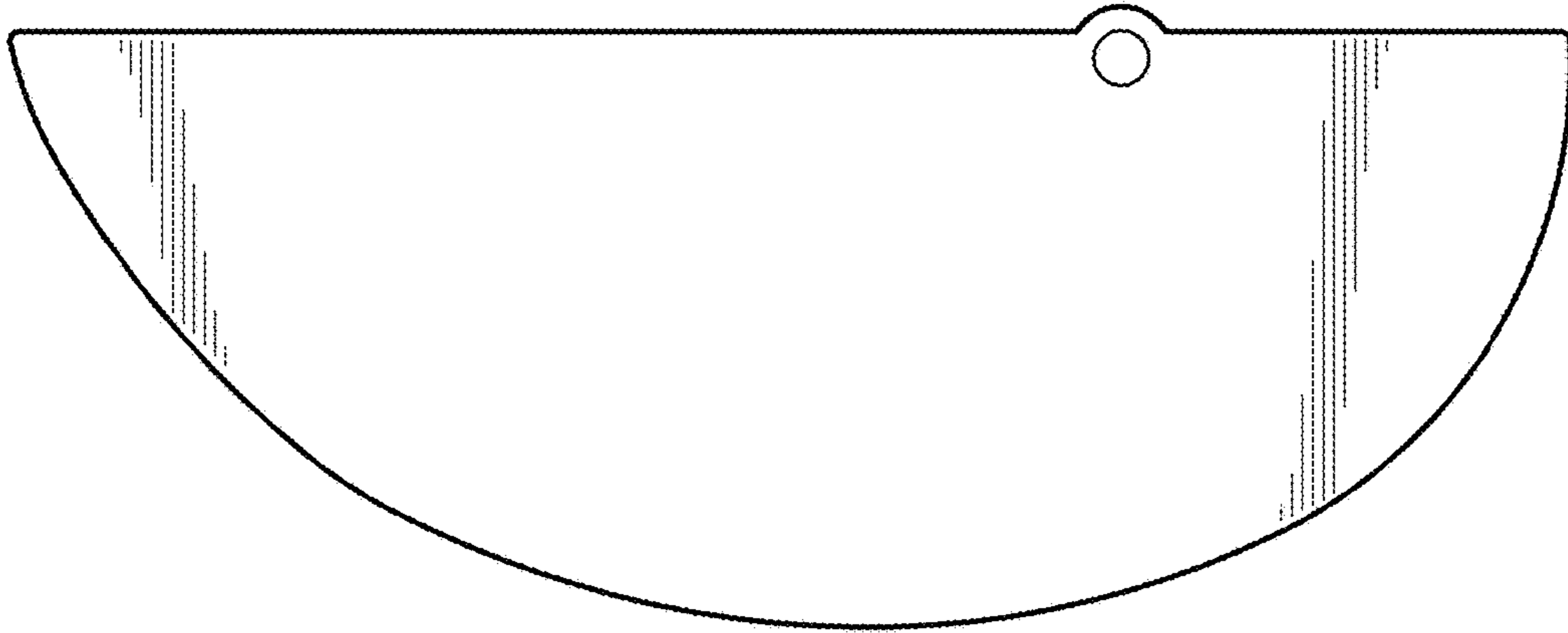
*Fig. 2*



*Fig. 3*



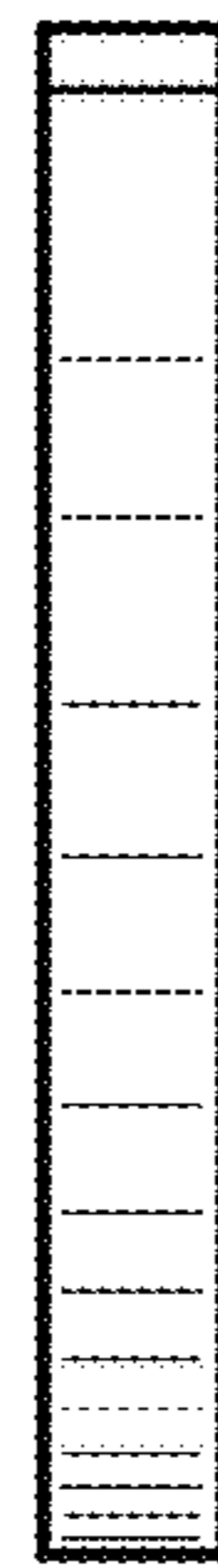
*Fig. 4*



*Fig. 5*

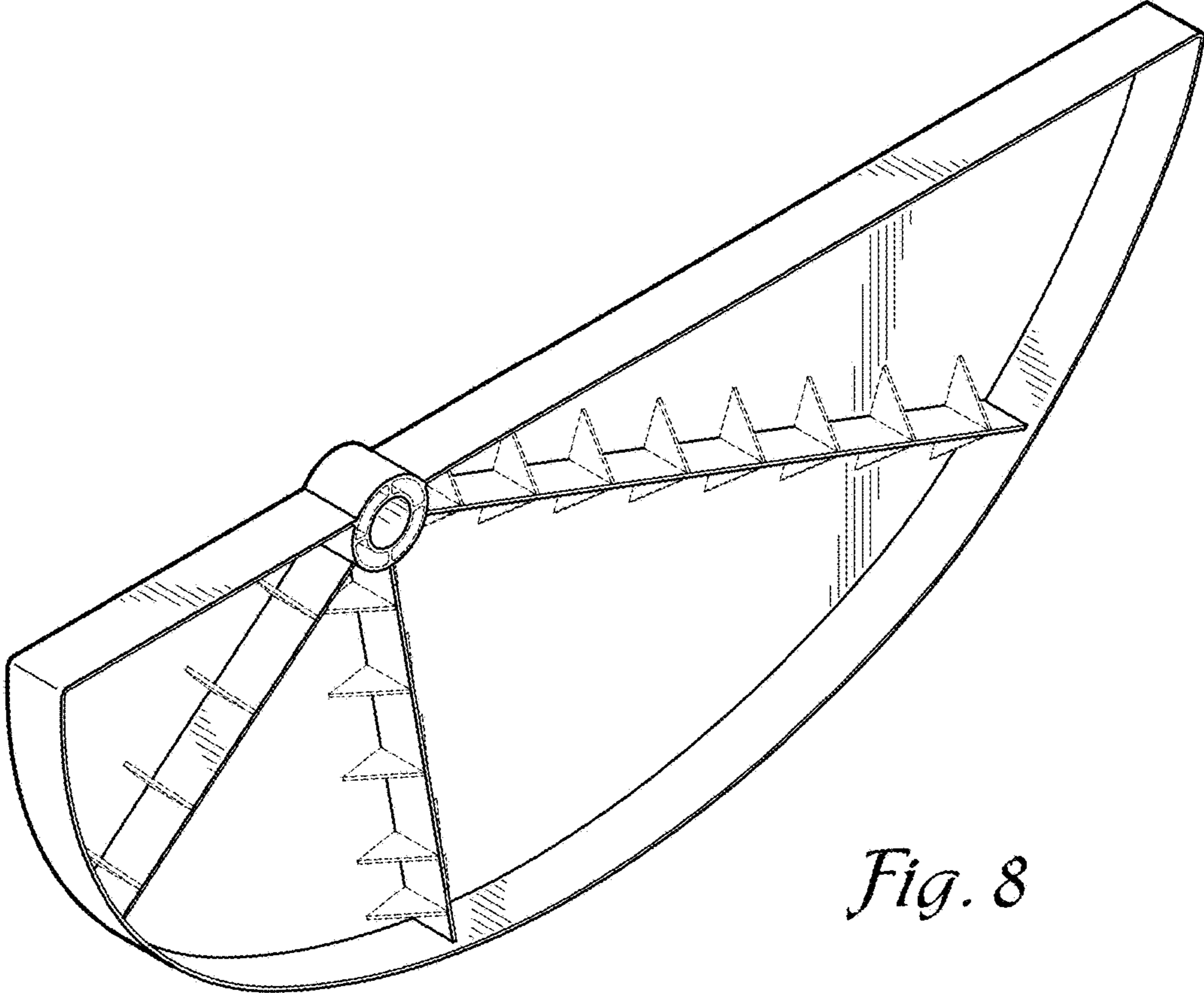


*Fig. 6*



*Fig. 7*

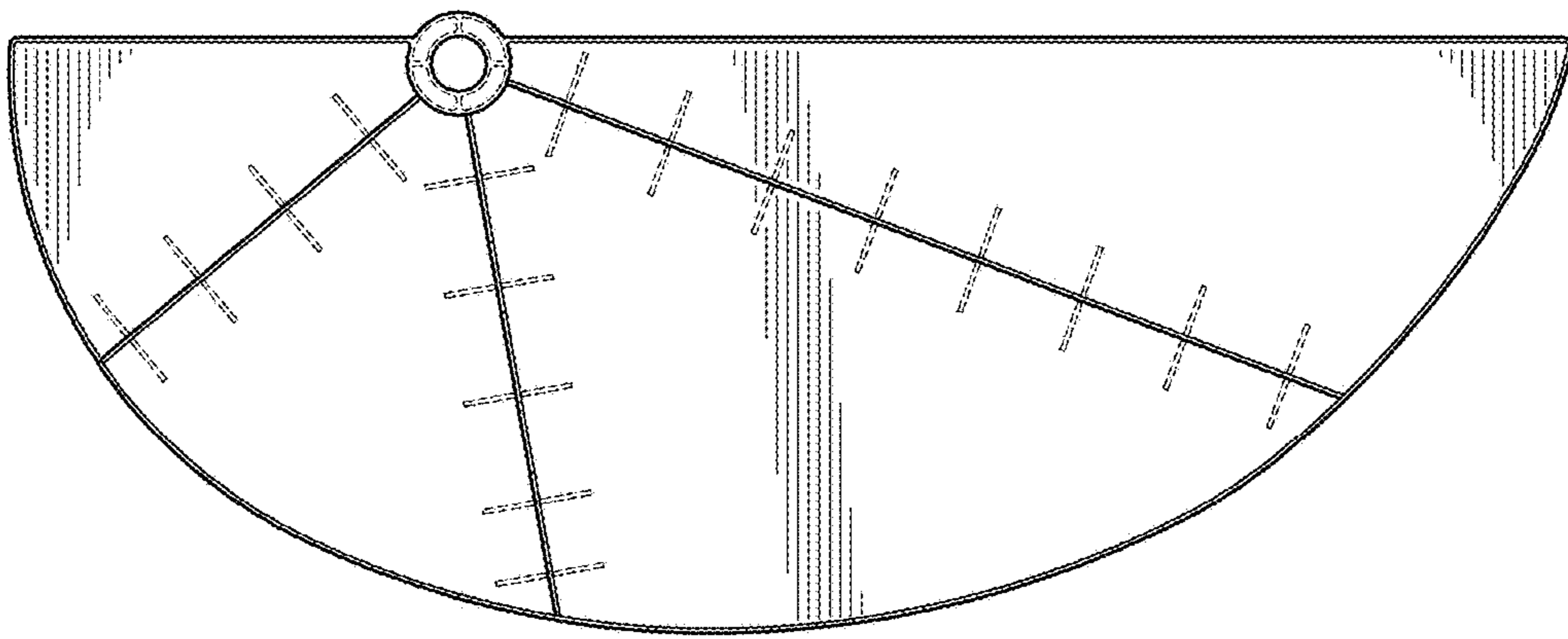




*Fig. 8*



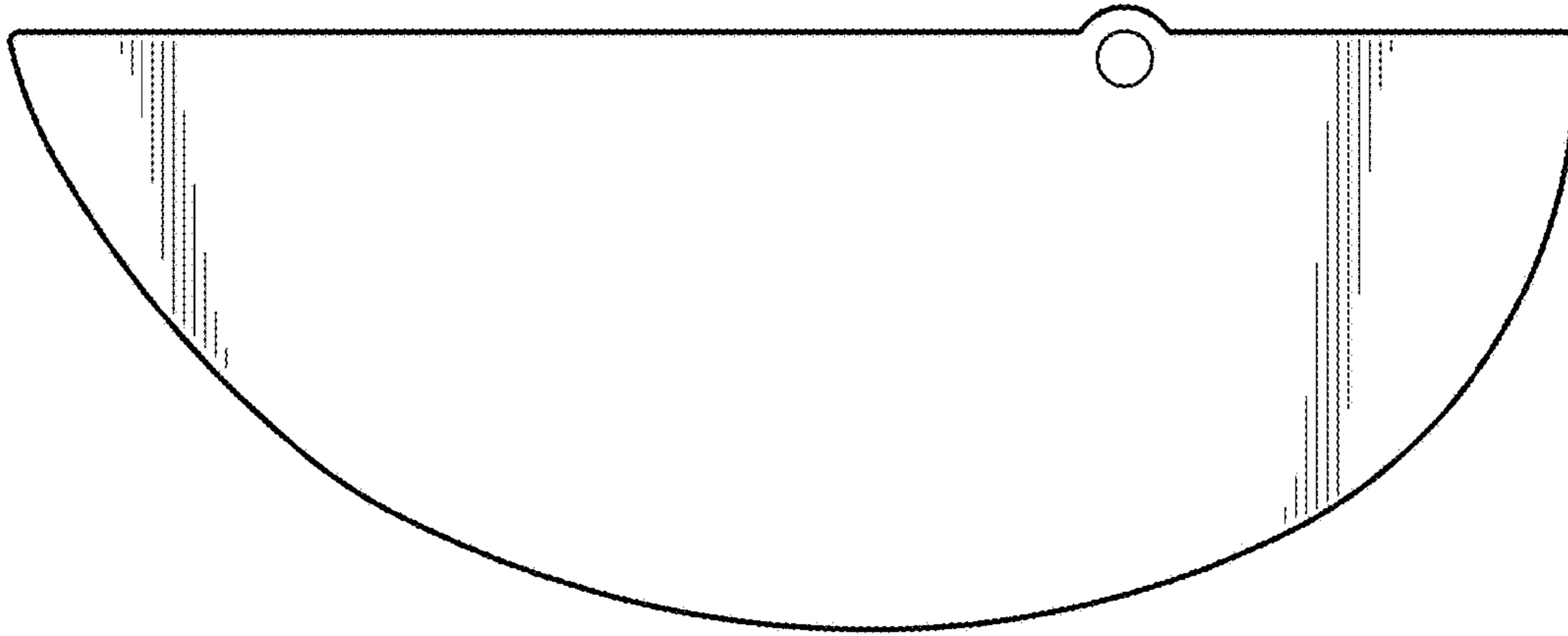
*Fig. 9*



*Fig. 10*



*Fig. 11*



*Fig. 12*



*Fig. 13*



*Fig. 14*