



US00D783379S

(12) **United States Design Patent**
Takahashi et al.

(10) **Patent No.:** **US D783,379 S**
(45) **Date of Patent:** **** Apr. 11, 2017**

(54) **PORTABLE POWER TOOL**

D392,778 S * 3/1998 McCracken D32/19
D452,805 S * 1/2002 Chen D8/62
D475,489 S * 6/2003 McLelland D32/15

(71) Applicant: **MAKITA CORPORATION**, Anjo-shi,
Aichi (JP)

(Continued)

(72) Inventors: **Koji Takahashi**, Anjo (JP); **Akira Mizutani**, Anjo (JP); **Takafumi Kotsuji**, Anjo (JP)

Primary Examiner — Austin Murphy

(74) *Attorney, Agent, or Firm* — Global IP Counselors, LLP

(73) Assignee: **MAKITA CORPORATION**, Anjo-Shi (JP)

(57) **CLAIM**

The ornamental design for a portable power tool, as shown and described.

(**) Term: **15 Years**

DESCRIPTION

(21) Appl. No.: **29/558,412**

(22) Filed: **Mar. 17, 2016**

(30) **Foreign Application Priority Data**

Sep. 18, 2015 (JP) 2015-020855

(51) **LOC (10) Cl.** **08-03**

(52) **U.S. Cl.**
USPC **D8/62**

(58) **Field of Classification Search**
USPC D8/69, 68, 67, 66, 64, 61, 70; 83/698.41, 83/747, 166.3, 374, 373, 375, 376, 391, 83/377, 390, 388, 389; 125/13.01; 144/218; D21/532
CPC B24B 23/028; B24B 47/12; B24B 7/186; B25F 5/001; B25F 5/02
See application file for complete search history.

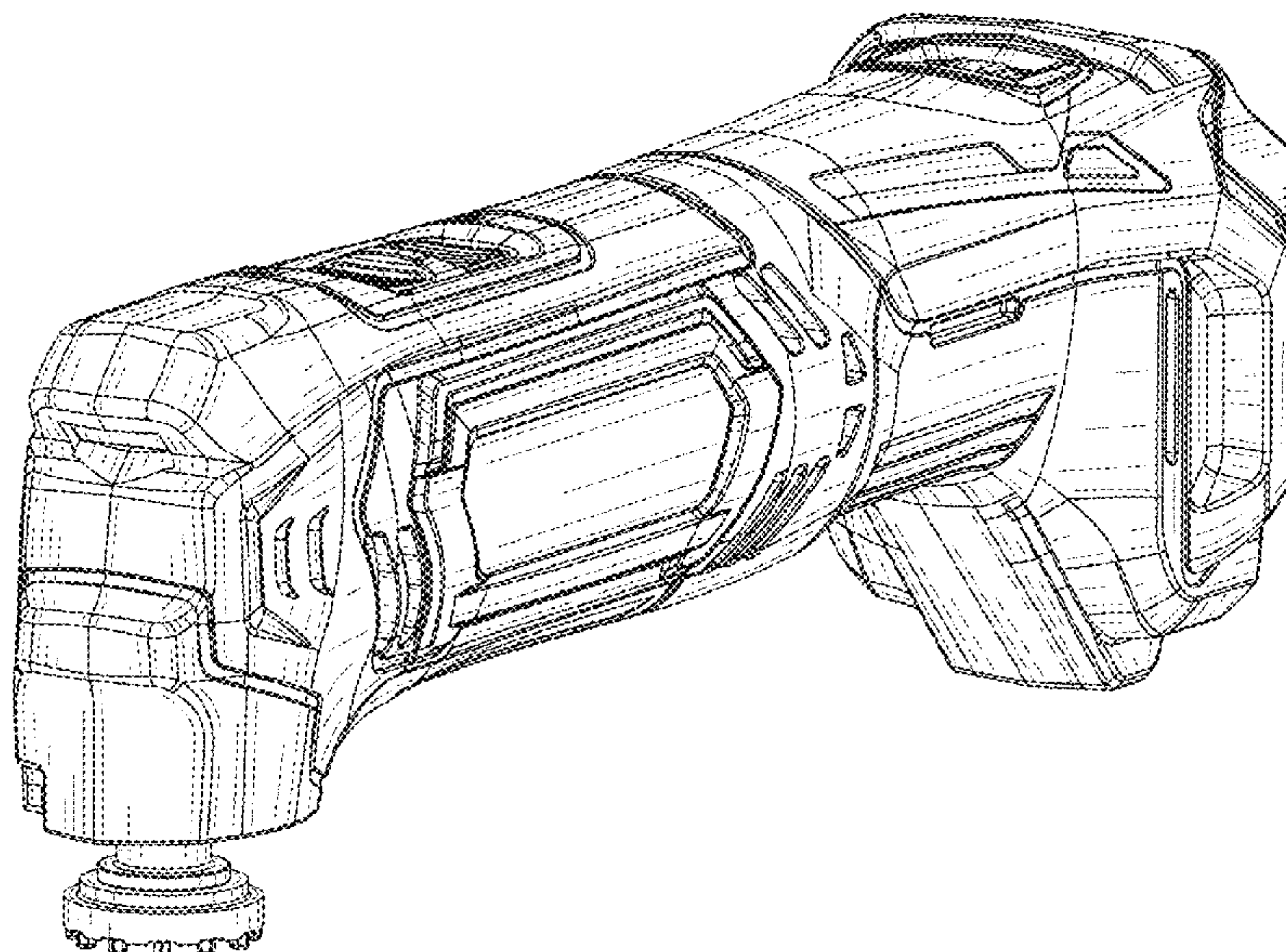
FIG. 1 is a front perspective view of a portable power tool in accordance with our new design;
FIG. 2 is a rear perspective view of the portable power tool in accordance with our new design;
FIG. 3 is a front elevational view of the portable power tool in accordance with our new design;
FIG. 4 is a rear elevational view of the portable power tool in accordance with our new design;
FIG. 5 is a top plan view of the portable power tool in accordance with our new design;
FIG. 6 is a bottom plan view of the portable power tool in accordance with our new design;
FIG. 7 is a right side elevational view of the portable power tool in accordance with our new design;
FIG. 8 is a left side elevational view of the portable power tool in accordance with our new design; and,
FIG. 9 is a front perspective view, similar to FIG. 1 of the portable power tool in accordance with our new design illustrating a state in which an attachment and a battery are attached to the portable power tool.
The broken line showing of environment forms no part of the claimed design.

(56) **References Cited**

U.S. PATENT DOCUMENTS

D273,173 S * 3/1984 Poon D8/62
D354,424 S * 1/1995 Izumisawa D8/62

1 Claim, 9 Drawing Sheets



(56)

References Cited

U.S. PATENT DOCUMENTS

D525,752 S *	7/2006	Bakker	D32/19
D630,075 S *	1/2011	Wright	D8/62
D630,483 S *	1/2011	Aglassinger	D8/62
D637,057 S *	5/2011	Schomisch	D8/62
D658,464 S	5/2012	Kawase et al.	
D660,118 S *	5/2012	Bast	D8/62
D685,241 S *	7/2013	Waldron	D8/62
D707,518 S *	6/2014	Tagscherer	D8/62
D710,171 S *	8/2014	Aglassinger	D8/62
D715,616 S *	10/2014	Aglassinger	D8/62
D746,118 S *	12/2015	Xu	D8/62

* cited by examiner

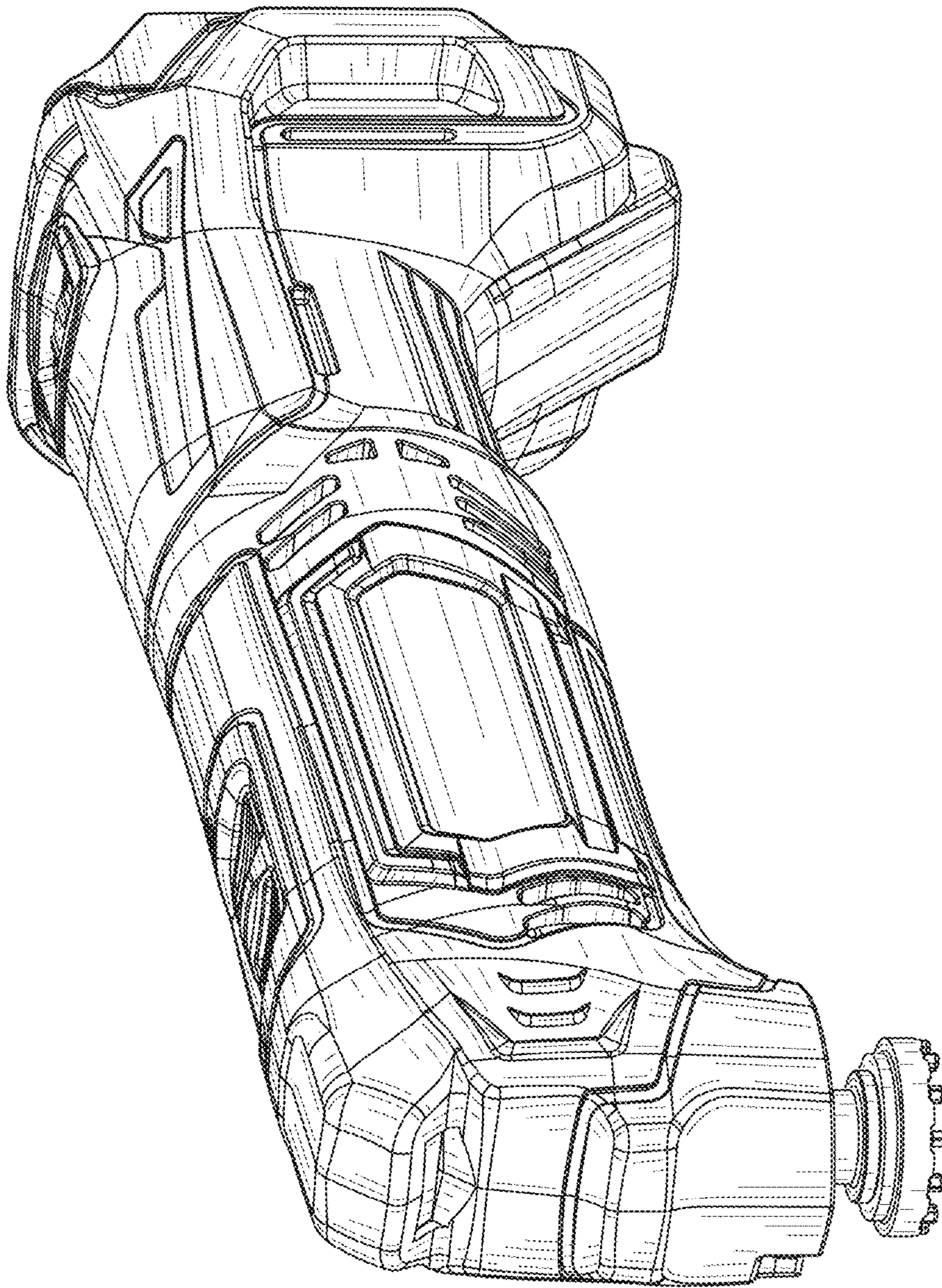


FIG. 1

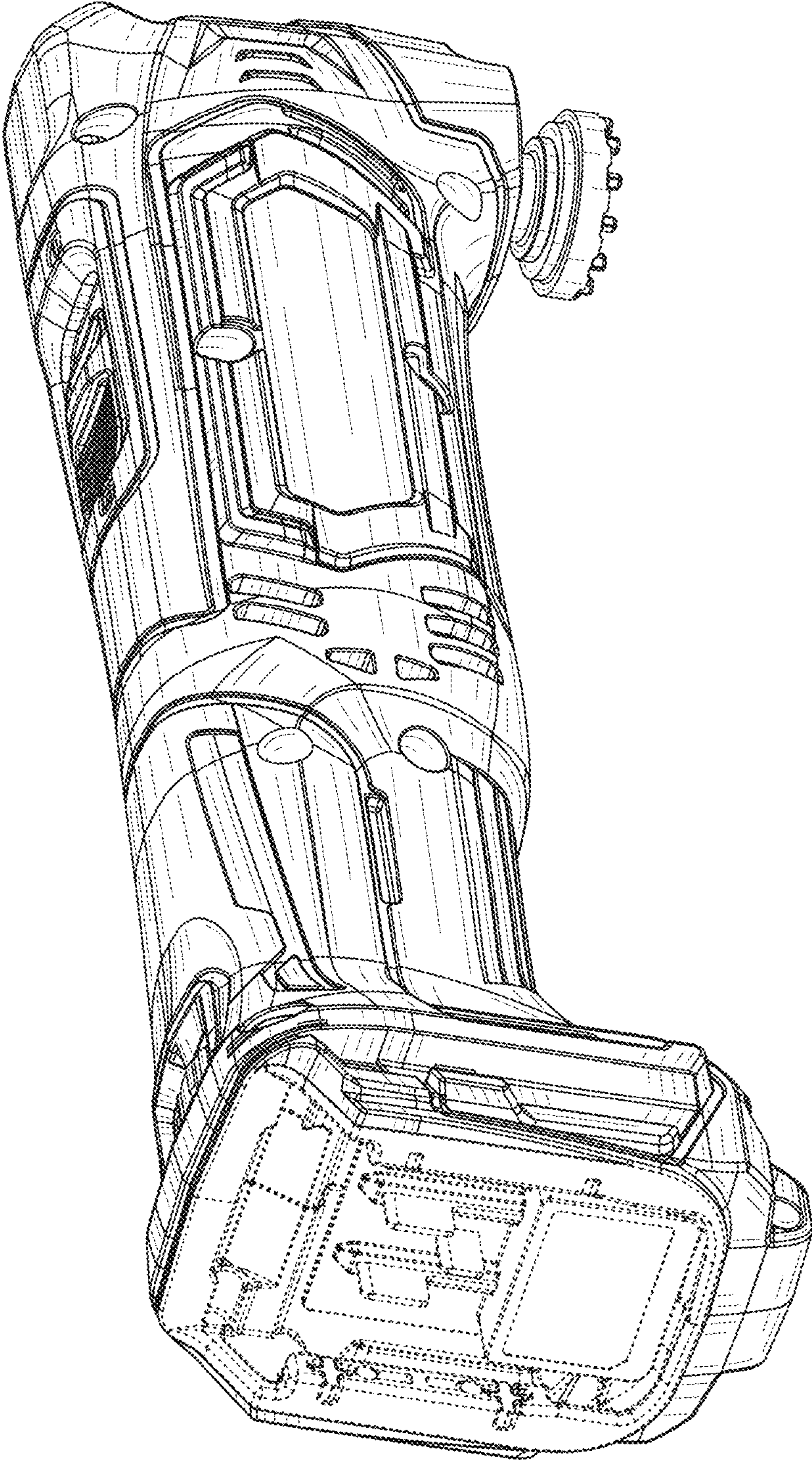


FIG. 2

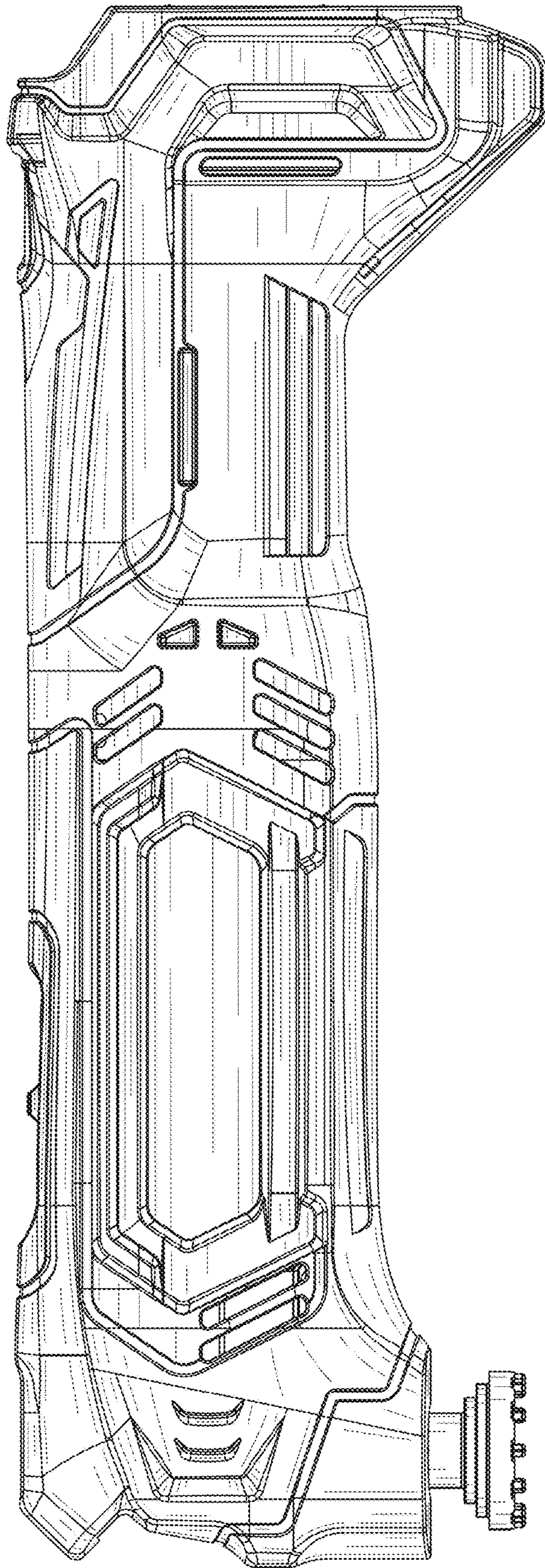


FIG. 3

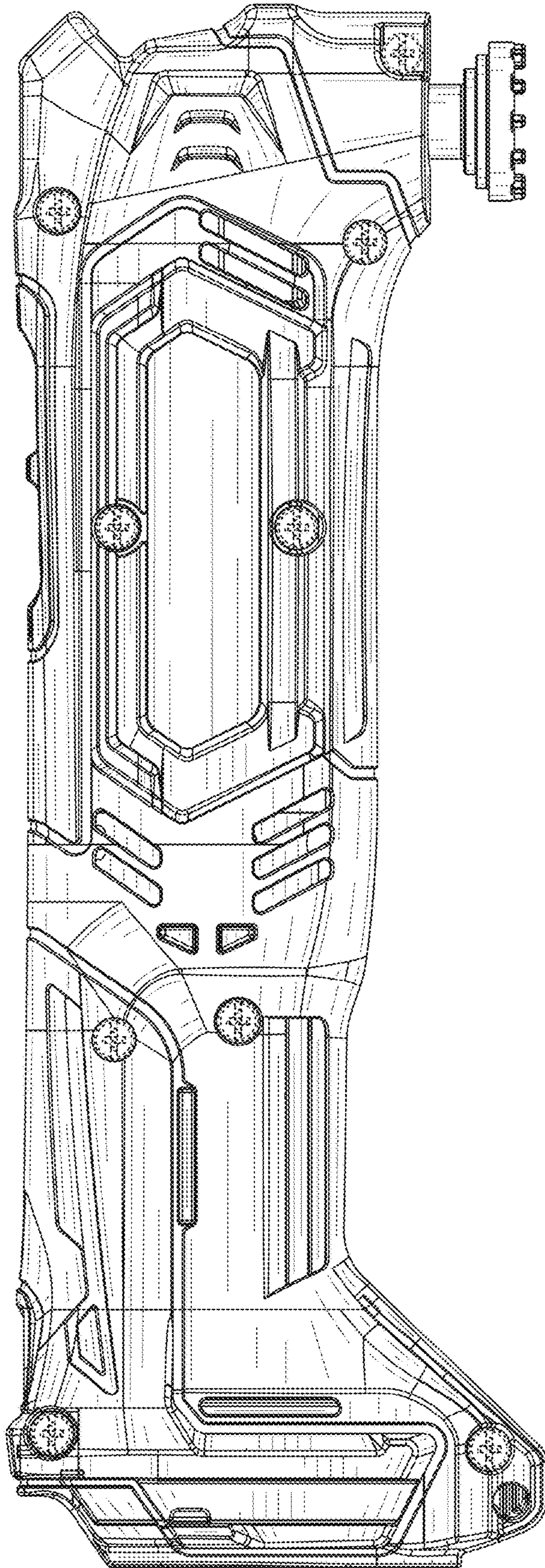


FIG. 4

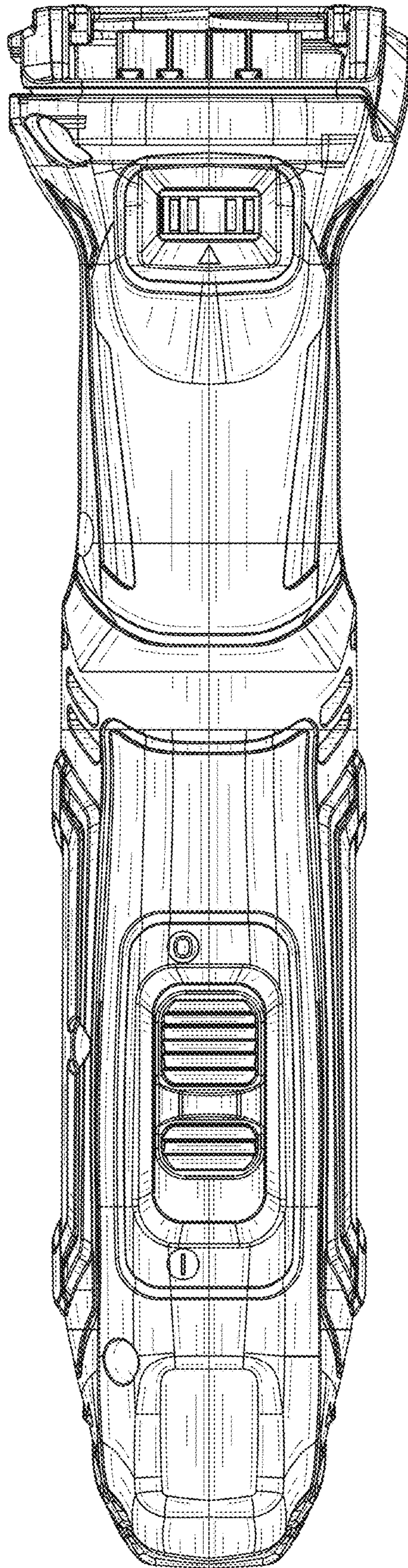


FIG. 5

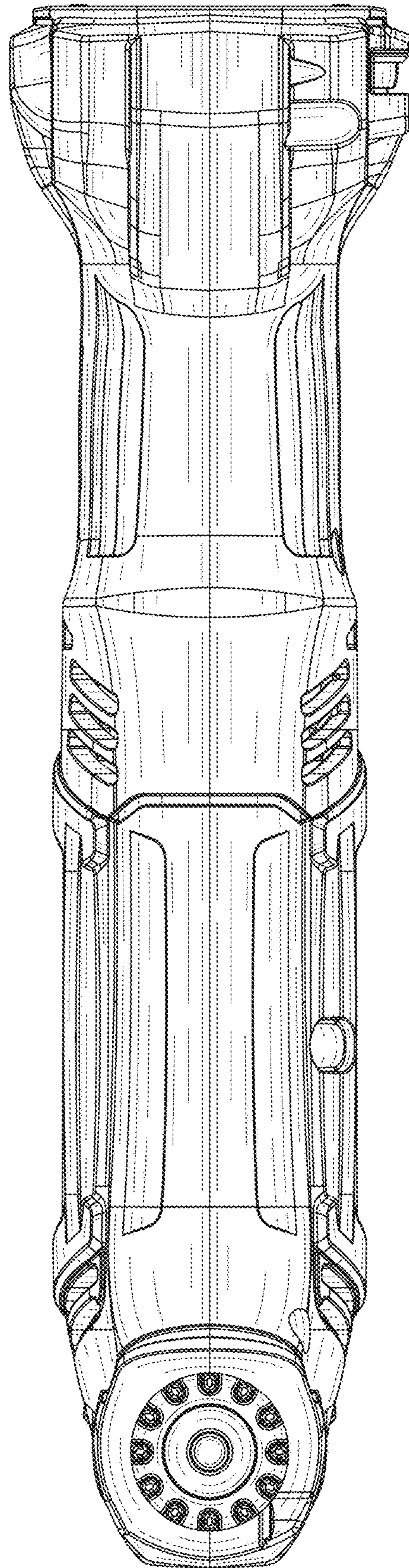


FIG. 6

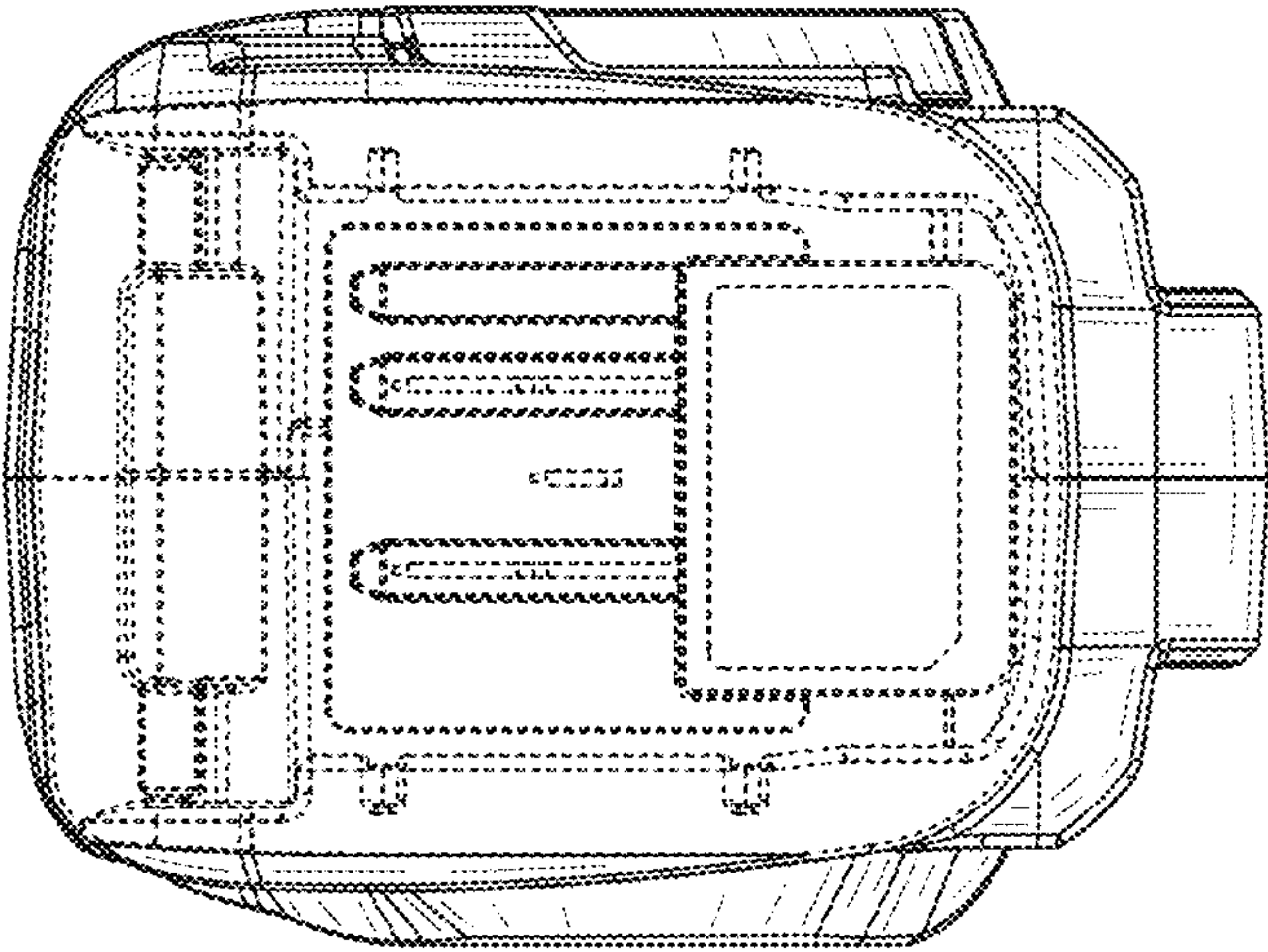


FIG. 7

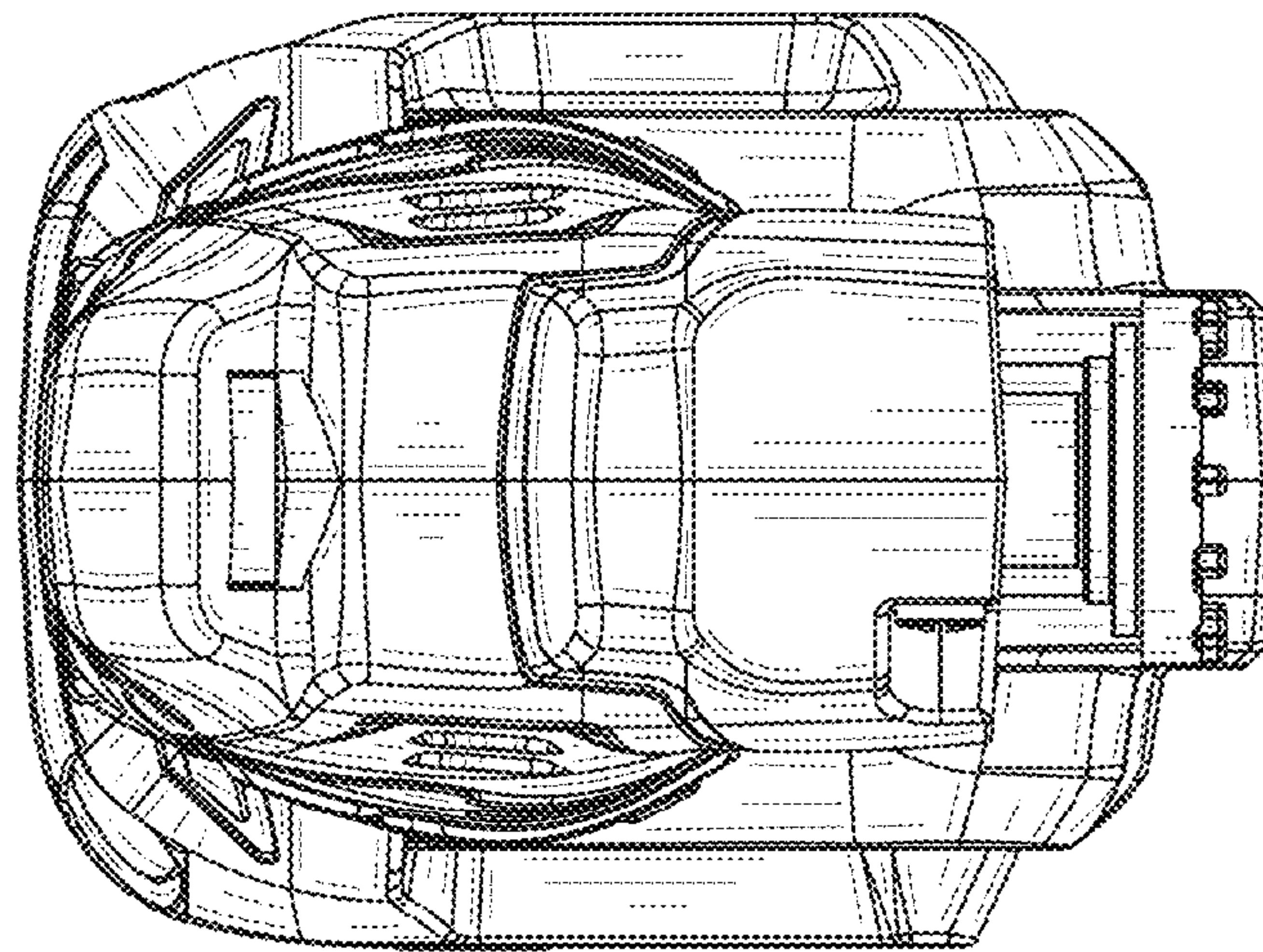


FIG. 8

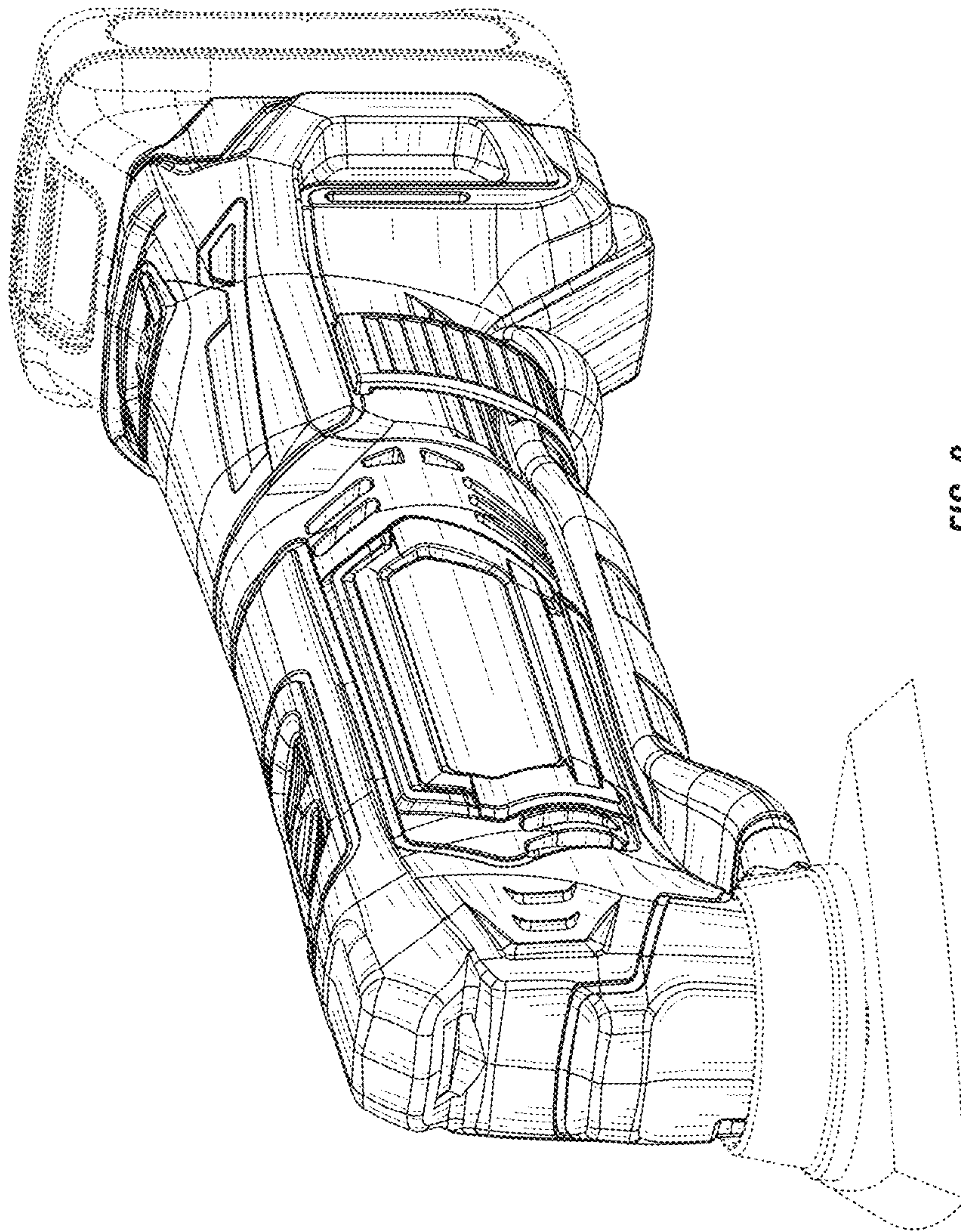


FIG. 9