



US00D783377S

(12) **United States Design Patent**
Gargano et al.

(10) **Patent No.:** **US D783,377 S**

(45) **Date of Patent:** **** *Apr. 11, 2017**

- (54) **TOOL**
- (71) Applicant: **Oetiker Tool Corporation**, Branford, CT (US)
- (72) Inventors: **Charles Gargano**, Guilford, CT (US); **Joseph Krzyzanski**, New Haven, CT (US); **Jeremy Roberts**, Guilford, CT (US); **Richard Steiner**, East Hadam, CT (US)
- (73) Assignee: **OETIKER TOOL CORPORATION**, Branford, CT (US)

7,000,448	B2 *	2/2006	Hamm	B25B 27/10
					72/409.01
D532,672	S *	11/2006	Steiner	D8/107
D534,412	S *	1/2007	Steiner	D8/107
7,434,440	B2 *	10/2008	Fay	B25B 7/12
					29/243.517
7,628,052	B2 *	12/2009	Zhang	B25B 27/146
					72/409.16
D628,036	S *	11/2010	Steiner	D8/52
8,015,853	B2 *	9/2011	Steiner	B21D 39/048
					72/409.01
8,127,589	B2 *	3/2012	Battenfeld	B25B 27/10
					72/409.01
8,312,755	B1 *	11/2012	Steiner	B25B 25/005
					72/409.01
D686,052	S *	7/2013	Steiner	D8/52
8,584,503	B1 *	11/2013	Steiner	B21D 39/048
					29/237

(*) Notice: This patent is subject to a terminal disclaimer.

(**) Term: **15 Years**

(21) Appl. No.: **29/545,054**

(22) Filed: **Nov. 9, 2015**

(51) **LOC (10) Cl.** **08-05**

(52) **U.S. Cl.**
USPC **D8/52**

(58) **Field of Classification Search**
USPC D8/4, 5, 51-60
CPC H01R 43/042; B25B 27/10; B25B 27/146;
B25B 7/02; B25B 7/12; B21D 39/04;
B21D 39/048
See application file for complete search history.

(56) **References Cited**

U.S. PATENT DOCUMENTS

4,170,154	A *	10/1979	Izraeli	H01R 43/042
					81/313
6,128,943	A *	10/2000	Lemmens	B25B 7/12
					30/192

(Continued)

Primary Examiner — Deanna L Pratt

(74) *Attorney, Agent, or Firm* — Cantor Colburn LLP

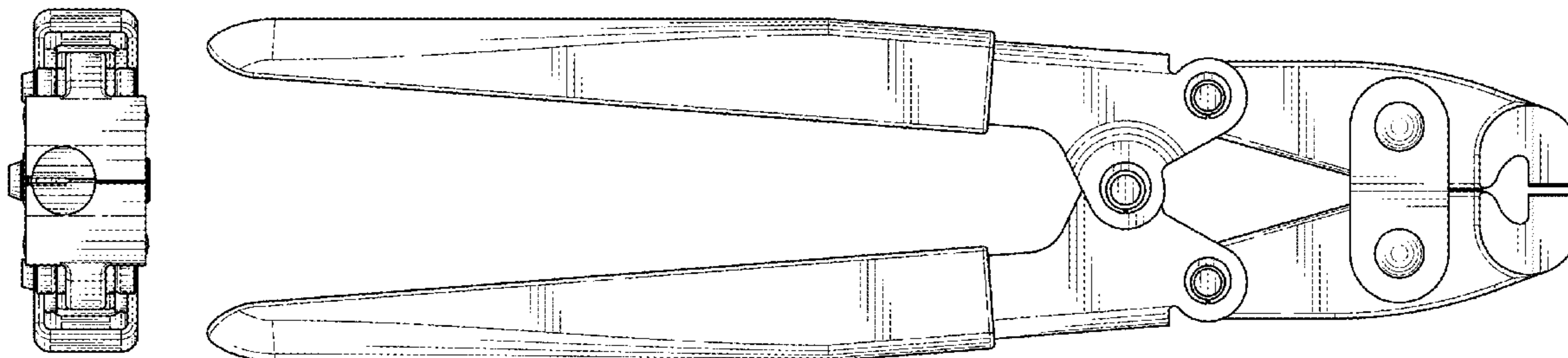
(57) **CLAIM**

We claim, the ornamental design for a tool, as shown and described.

DESCRIPTION

FIG. 1 is a perspective view of an embodiment of the invention;
FIG. 2 is a first end view of the embodiment of FIG. 1;
FIG. 3 is a second end view of the embodiment of FIG. 1;
FIG. 4 is a top view of the embodiment of FIG. 1;
FIG. 5 is a bottom view of the embodiment of FIG. 1;
FIG. 6 is a first side view of the embodiment of FIG. 1; and,
FIG. 7 is a second side view of the embodiment of FIG. 1.

1 Claim, 4 Drawing Sheets



(56)

References Cited

U.S. PATENT DOCUMENTS

8,726,713	B2 *	5/2014	Steiner	B21D 39/048 29/237
D741,675	S *	10/2015	Gibson, Jr.	D8/52
2002/0092336	A1 *	7/2002	Wagner	B25B 7/12 72/409.1
2004/0144154	A1 *	7/2004	Steiner	B21D 39/04 72/409.19
2008/0078273	A1 *	4/2008	Steiner	B25G 1/102 81/350
2008/0163664	A1 *	7/2008	Battenfeld	B25B 27/10 72/409.12
2008/0216548	A1 *	9/2008	Steiner	B21D 39/048 72/409.12

* cited by examiner

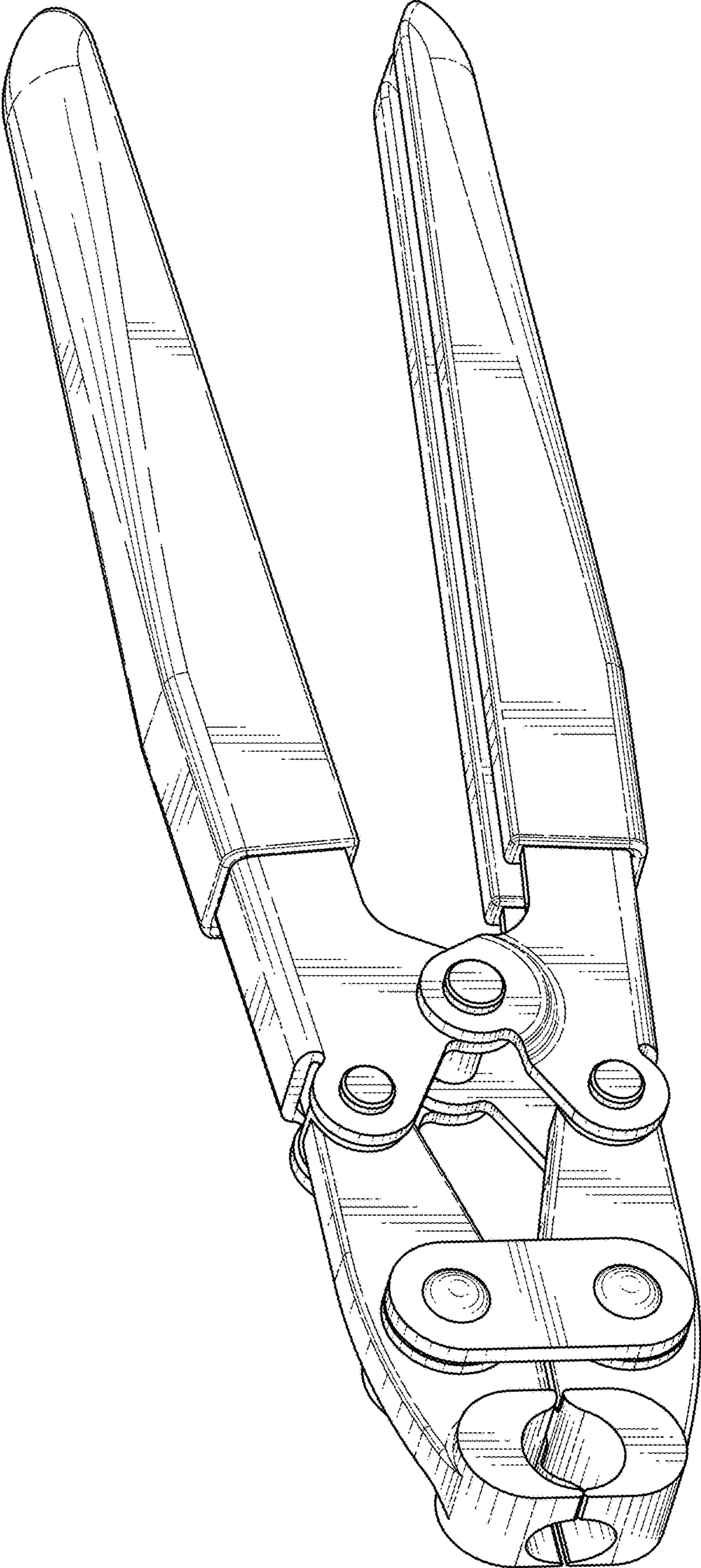


FIG. 1

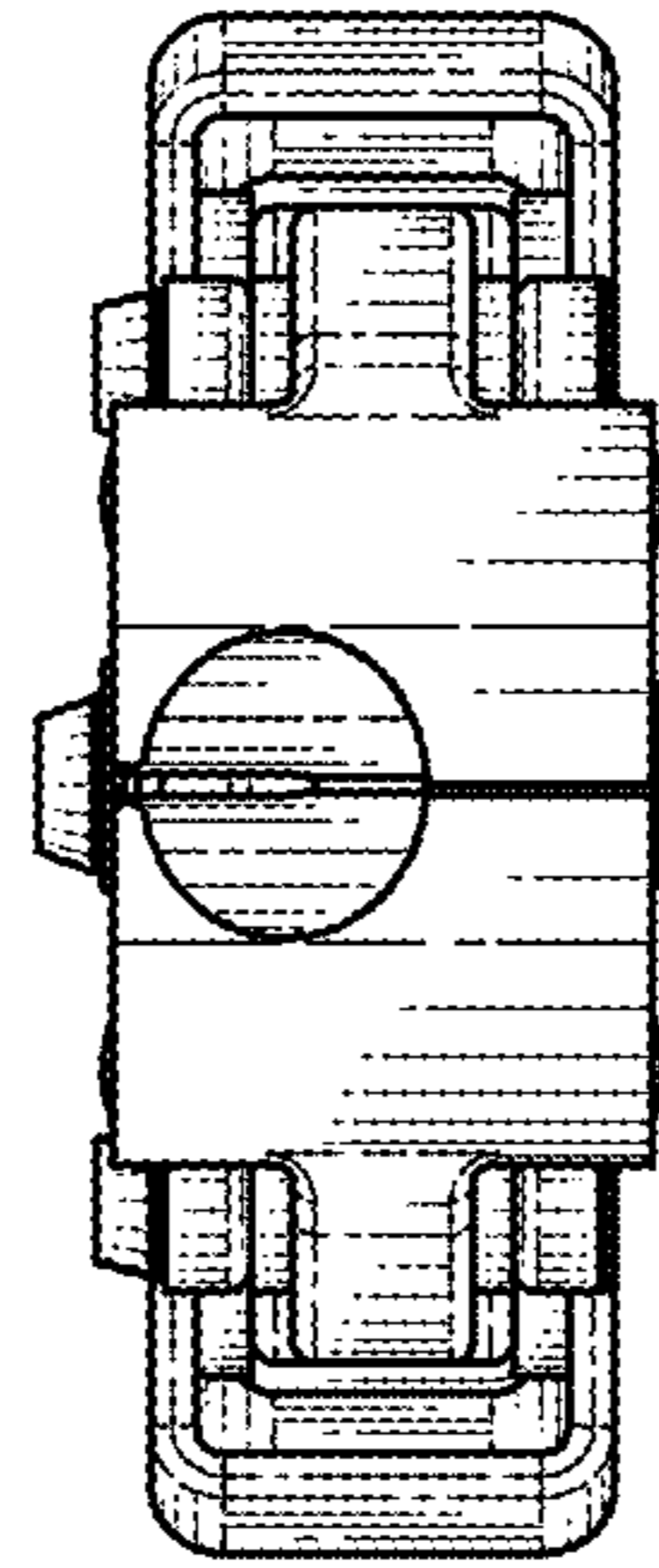


FIG. 2

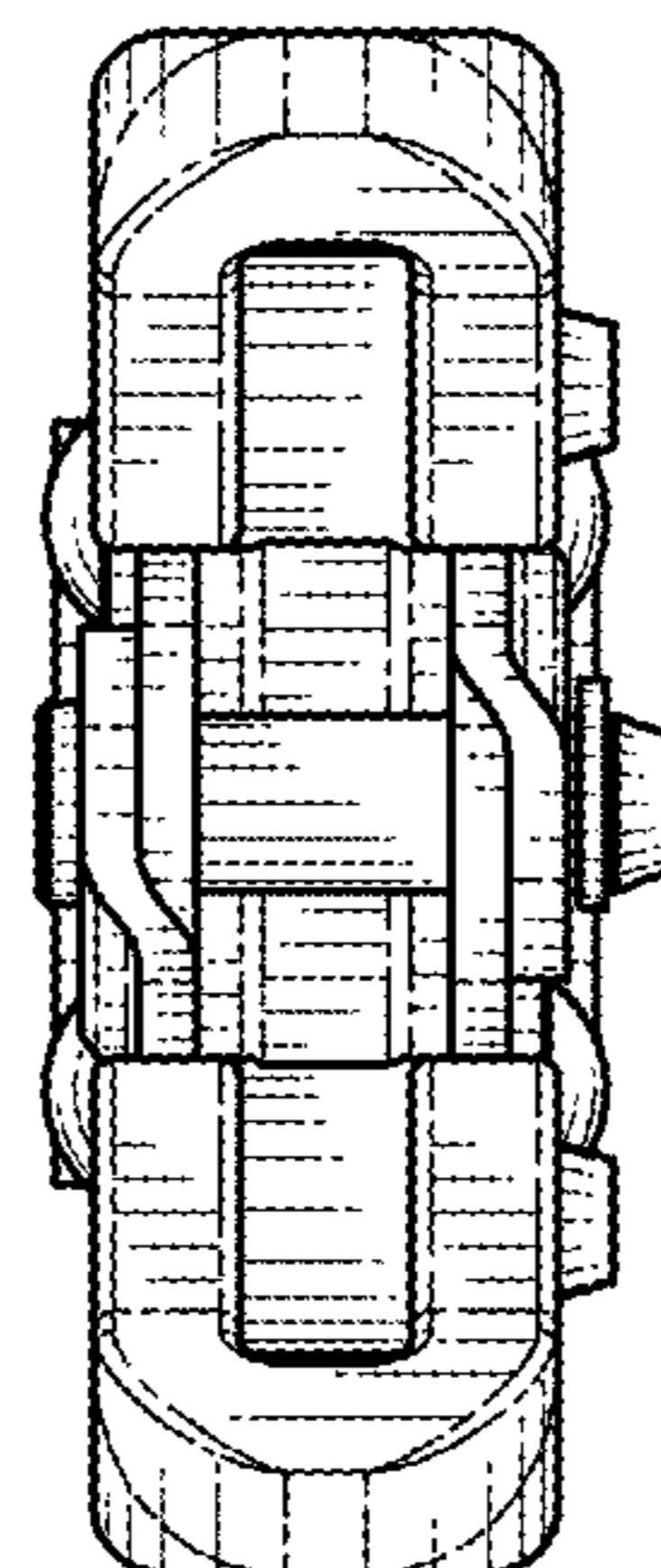


FIG. 3

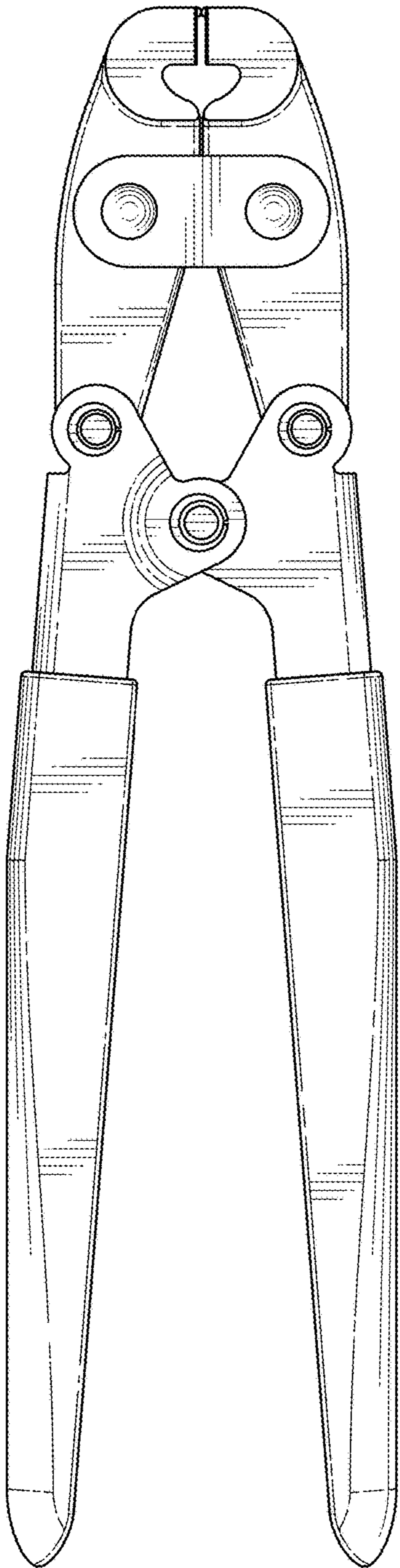


FIG. 4

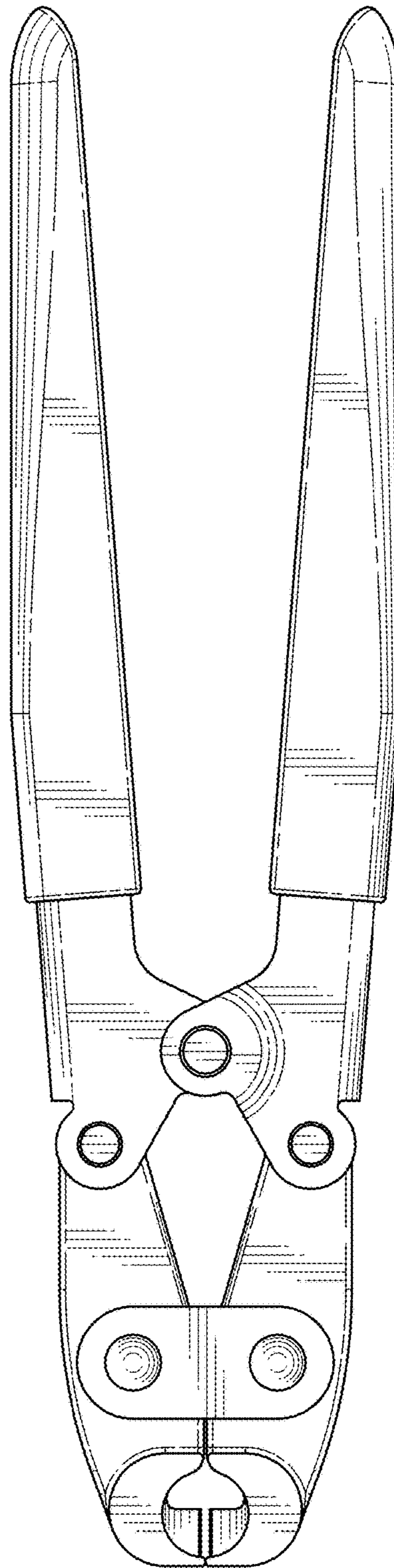


FIG. 5

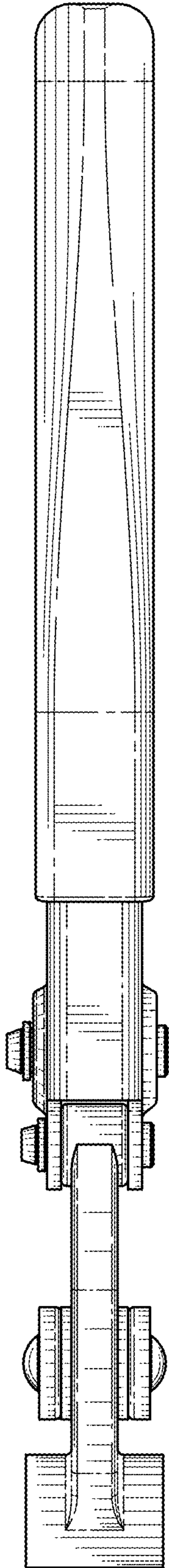


FIG. 6

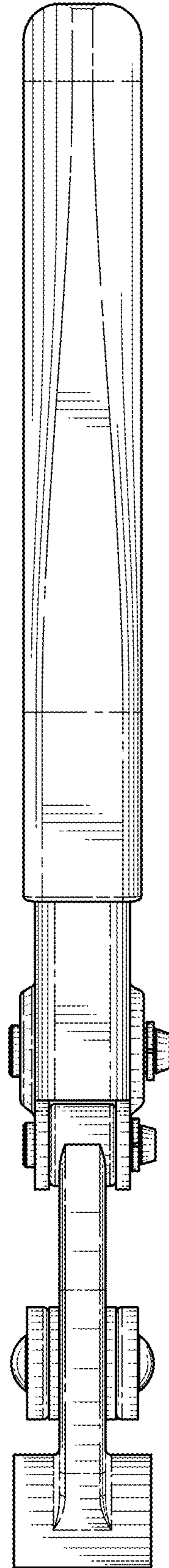


FIG. 7