



US00D783376S

(12) **United States Design Patent**  
**Crane**

(10) **Patent No.:** **US D783,376 S**

(45) **Date of Patent:** **\*\* Apr. 11, 2017**

(54) **GRENADE BOTTLE OPENER**

(71) Applicant: **Bottle Breacher, LLC**, Tucson, AZ  
(US)

(72) Inventor: **Elijah Crane**, Tucson, AZ (US)

(\*\*) Term: **15 Years**

(21) Appl. No.: **29/565,470**

(22) Filed: **May 20, 2016**

(51) **LOC (10) Cl.** ..... **07-99**

(52) **U.S. Cl.**  
USPC ..... **D8/18**

(58) **Field of Classification Search**  
USPC ..... D8/13, 14, 16, 17, 18, 19, 38; D9/443,  
D9/609, 660, 661; 102/334, 482, 486  
CPC ... B67B 7/18; B67B 7/403; B67B 7/44; F24B  
33/00

See application file for complete search history.

(56) **References Cited**

**U.S. PATENT DOCUMENTS**

3,492,945	A *	2/1970	Filippi	.....	F42B 8/26
					102/334
4,328,755	A *	5/1982	Frost	.....	F42B 12/20
					102/486
4,932,329	A *	6/1990	Logie	.....	F42B 12/50
					102/482
D434,332	S	11/2000	Sir		
7,040,236	B2 *	5/2006	Oh	.....	F42B 33/00
					102/482
7,322,296	B2 *	1/2008	Ellis	.....	F42B 27/08
					102/482
D562,623	S *	2/2008	Nybakke	.....	D7/387
D573,516	S *	7/2008	Frazier	.....	D12/162
D616,718	S *	6/2010	van der Lande	.....	D3/210

D616,748	S *	6/2010	Nakamura	.....	D9/443
D660,177	S	5/2012	Ferenc		
D662,425	S *	6/2012	Barratt	.....	D22/112
D683,235	S	5/2013	Albert		
8,561,540	B1 *	10/2013	Lauch	.....	F42C 15/188
					102/258
D708,071	S *	7/2014	Auth	.....	D9/680
D721,924	S *	2/2015	Trafton	.....	D7/507

(Continued)

*Primary Examiner* — Manpreet Matharu

*Assistant Examiner* — Yolanda Robinson

(74) *Attorney, Agent, or Firm* — Buche & Associates,  
P.C.; John K. Buche; Bryce A. Johnson

(57) **CLAIM**

I claim the ornamental design for a “grenade bottle opener,”  
as shown and described.

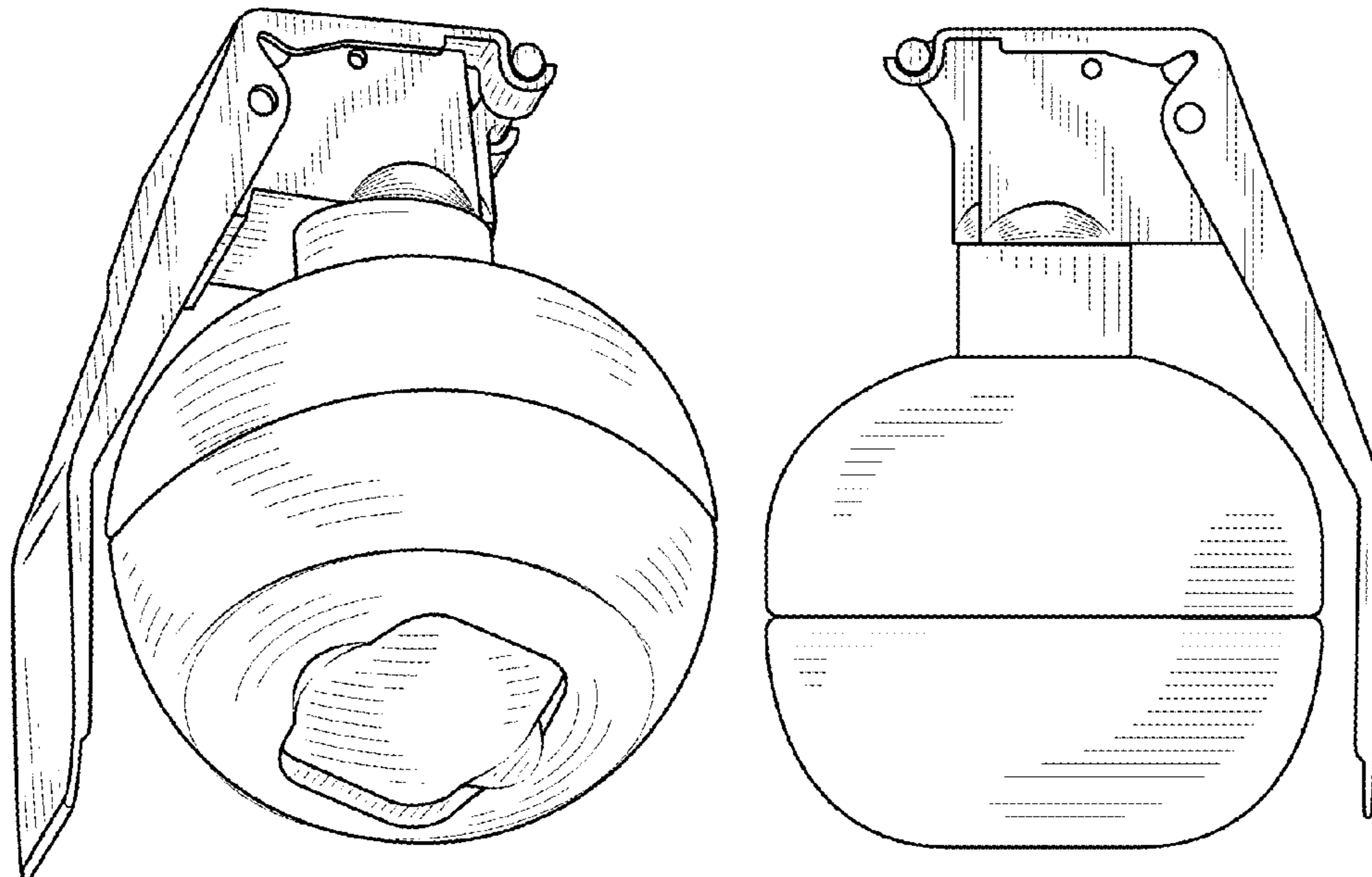
**DESCRIPTION**

FIG. 1 is a perspective view of the grenade bottle opener;  
FIG. 2 is a front view of the grenade bottle opener of FIG.  
1;  
FIG. 3 is a back view of the grenade bottle opener of FIG.  
1;  
FIG. 4 is a left side view of the grenade bottle opener of FIG.  
1;  
FIG. 5 is a right side view of the grenade bottle opener of  
FIG. 1;  
FIG. 6 is a top view of the grenade bottle opener of FIG. 1;  
FIG. 7 is a bottom view of the grenade bottle opener of FIG.  
1; and,  
FIG. 8 is an environmental view of the grenade bottle opener  
of FIG. 1 in use.

Broken lines illustrate unclaimed environmental features  
and form no part of the claimed design.

The nature and intended use of the article in which the  
design is embodied is for opening bottles.

**1 Claim, 4 Drawing Sheets**



(56)

**References Cited**

U.S. PATENT DOCUMENTS

9,010,250 B1 \* 4/2015 Evangelisti ..... F42B 27/08  
102/487  
D741,156 S \* 10/2015 LaFlair, Sr. .... D8/374  
D742,231 S \* 11/2015 Auth ..... D9/443  
D751,158 S \* 3/2016 Rice ..... D21/707  
D752,989 S \* 4/2016 Shawishian ..... D9/680  
D767,407 S \* 9/2016 Newcomer ..... D9/680  
2011/0306446 A1 \* 12/2011 Frank ..... F42B 12/40  
473/577  
2013/0048592 A1 \* 2/2013 Carley ..... B65D 1/0269  
215/302

\* cited by examiner

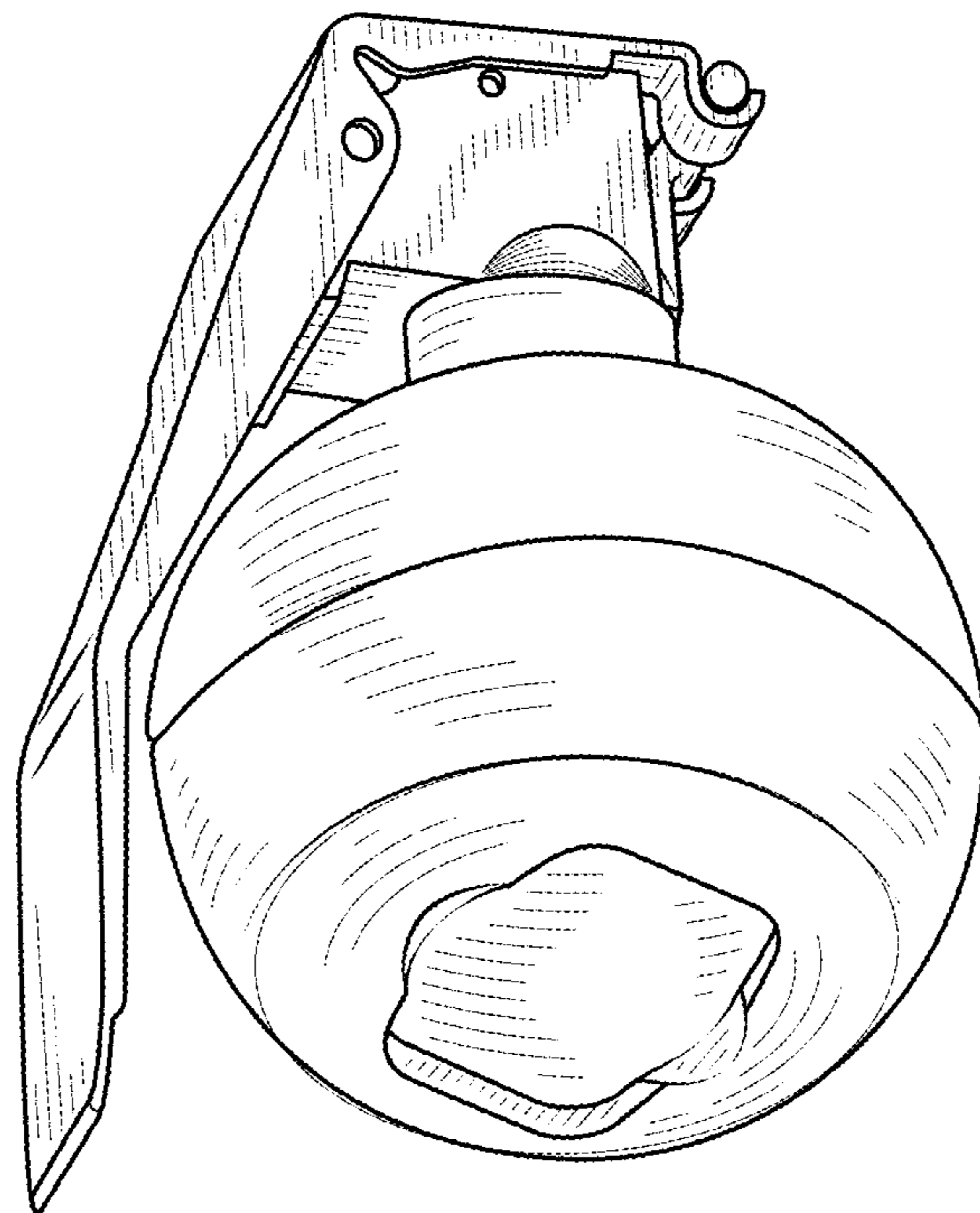


FIG. 1

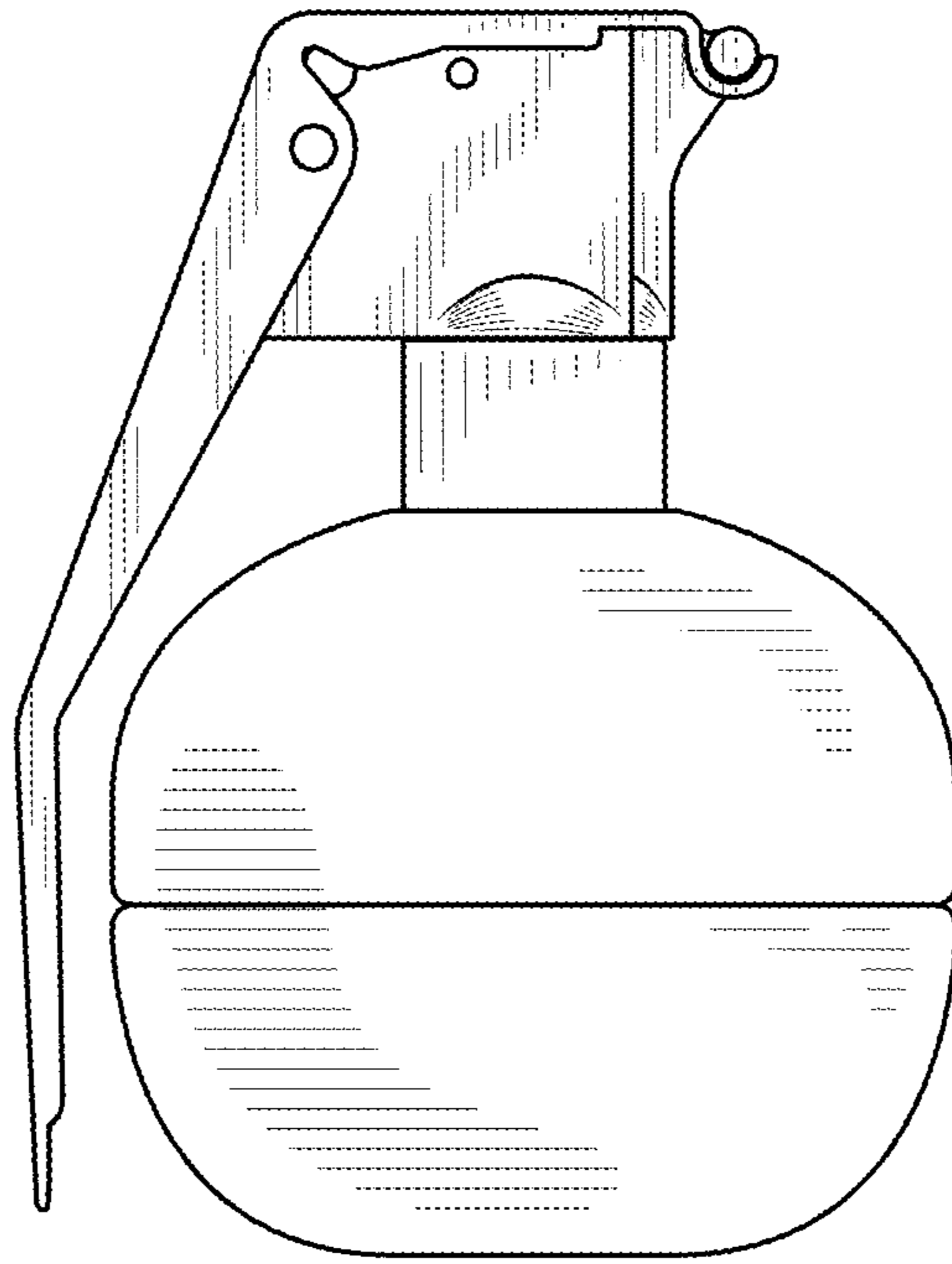


FIG. 2

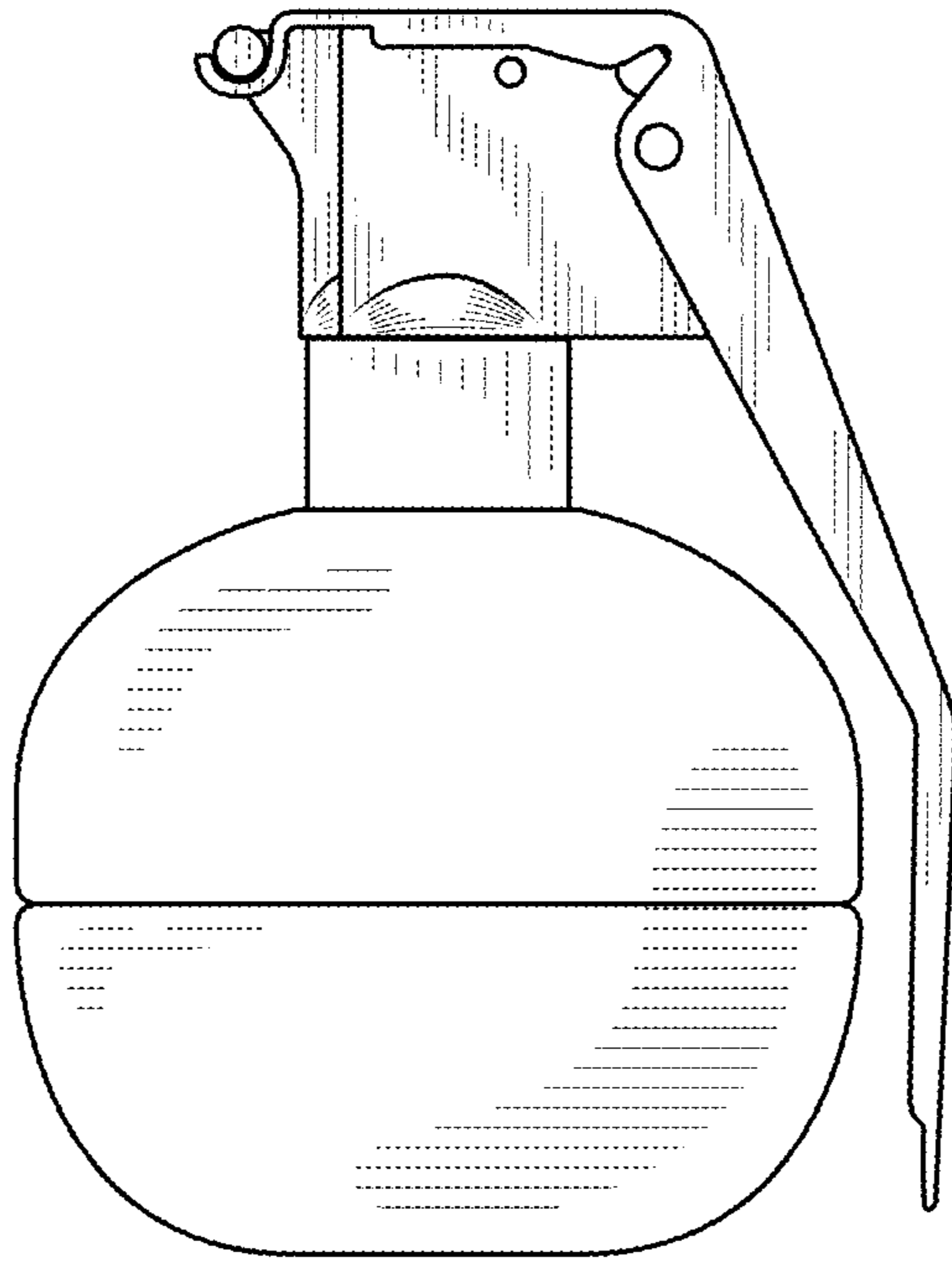


FIG. 3

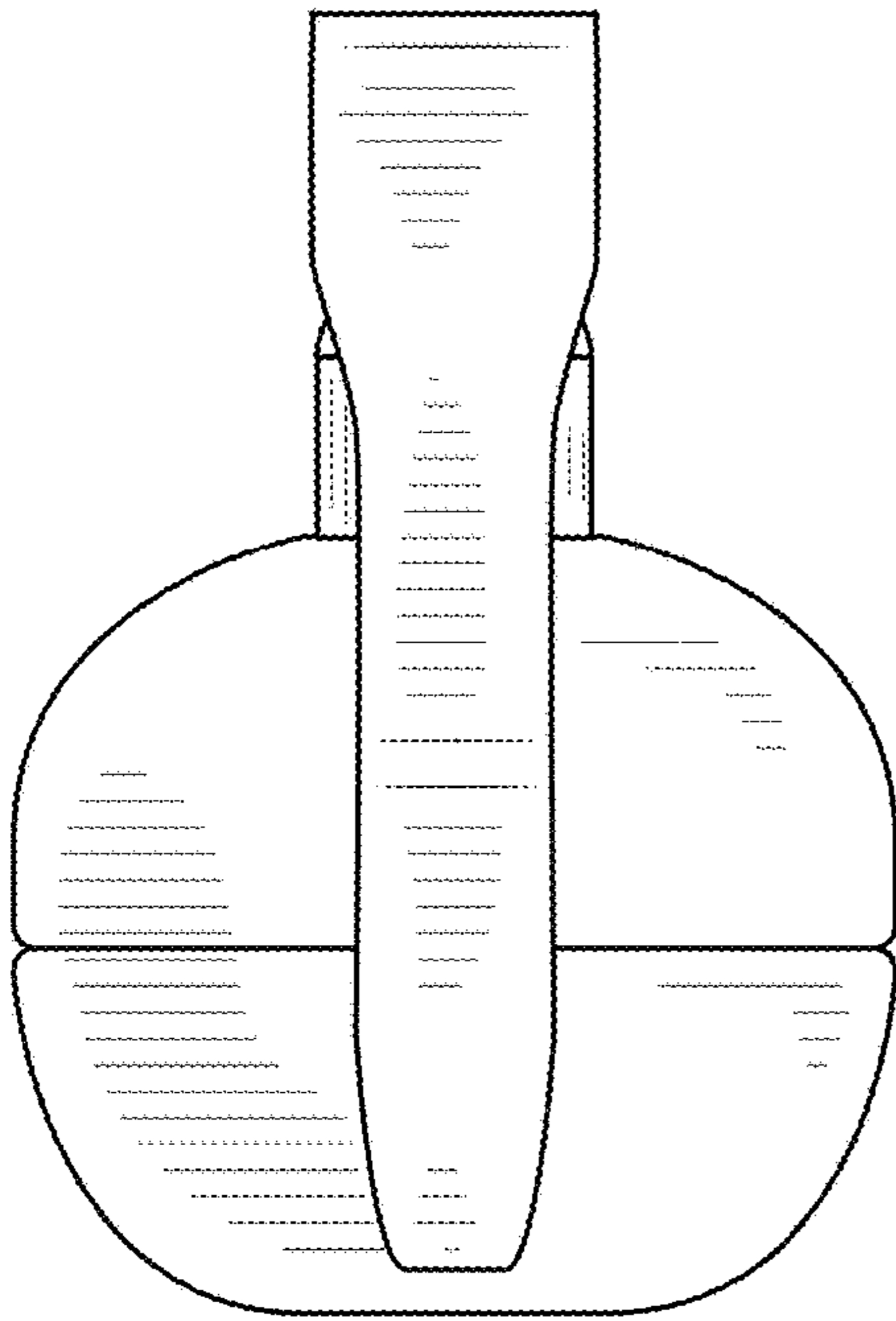


FIG. 4

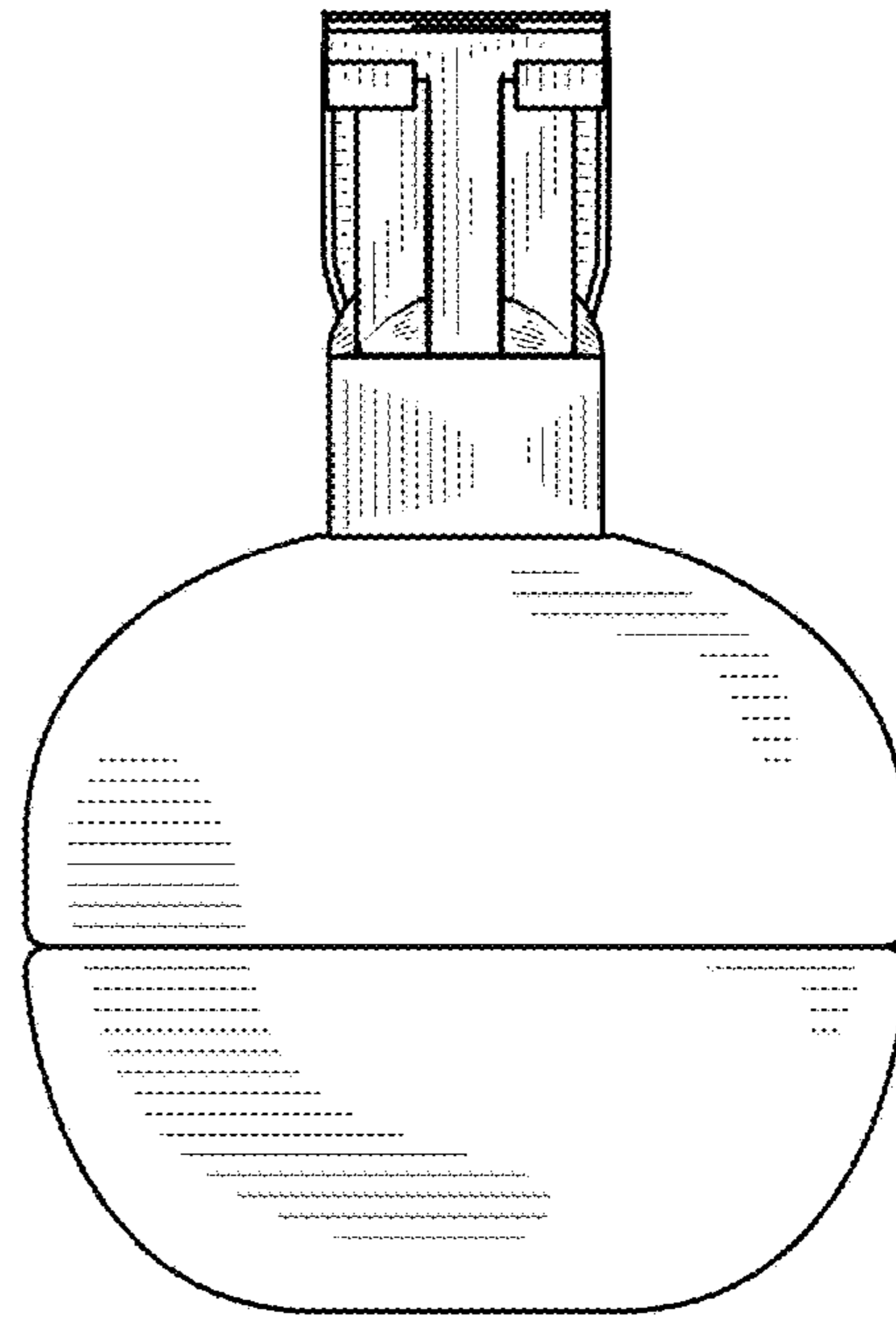


FIG. 5

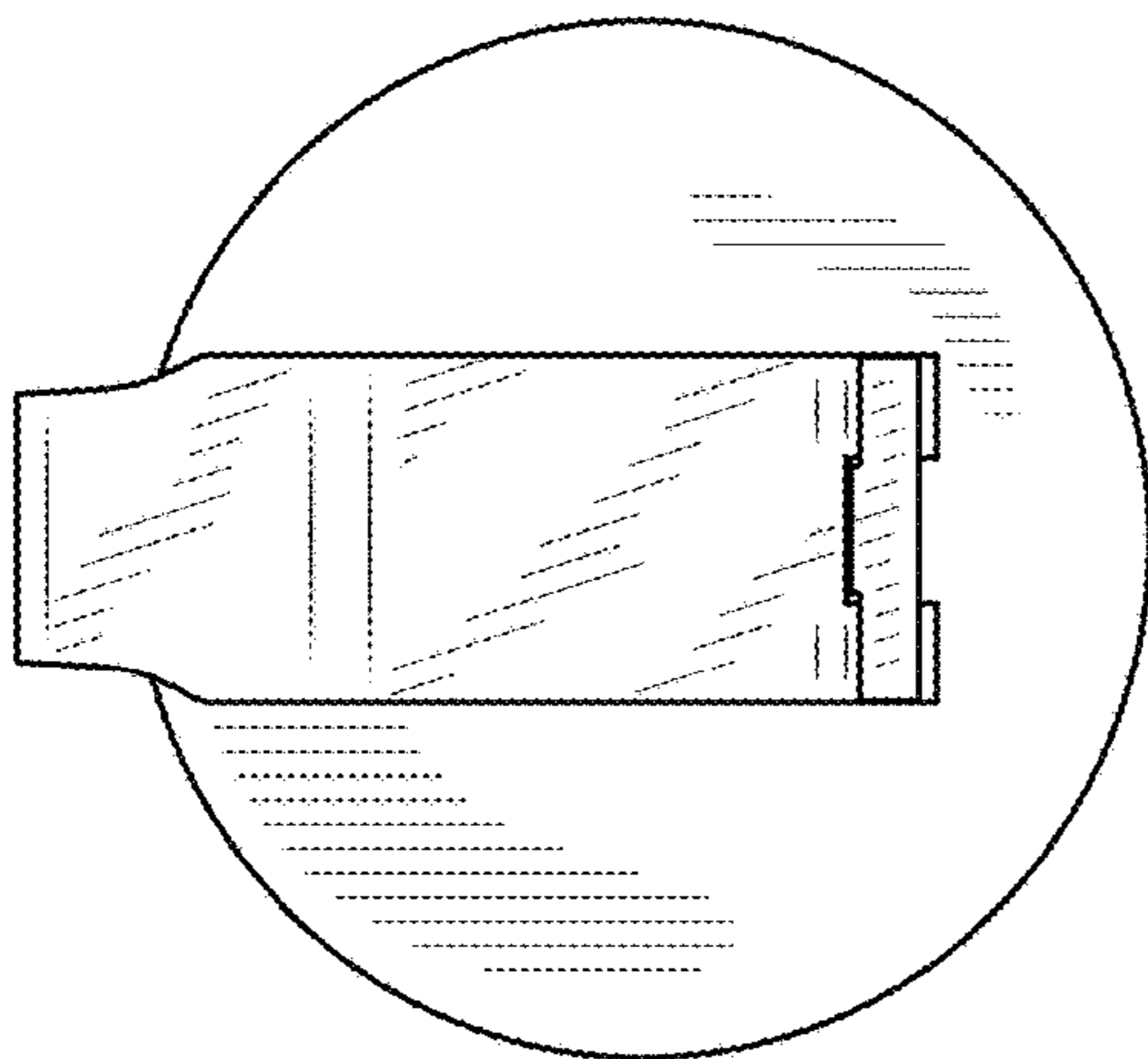


FIG. 6

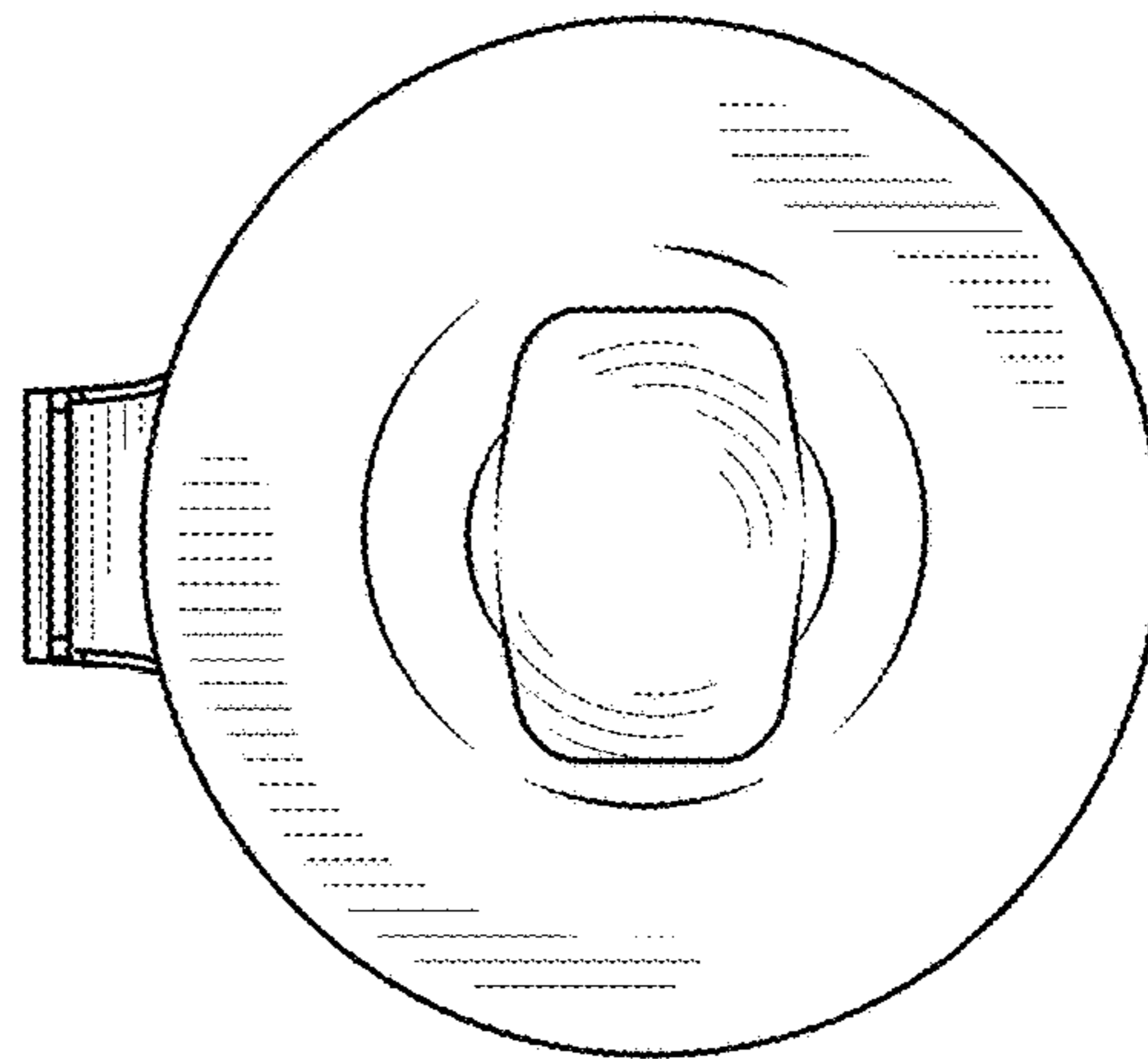


FIG. 7

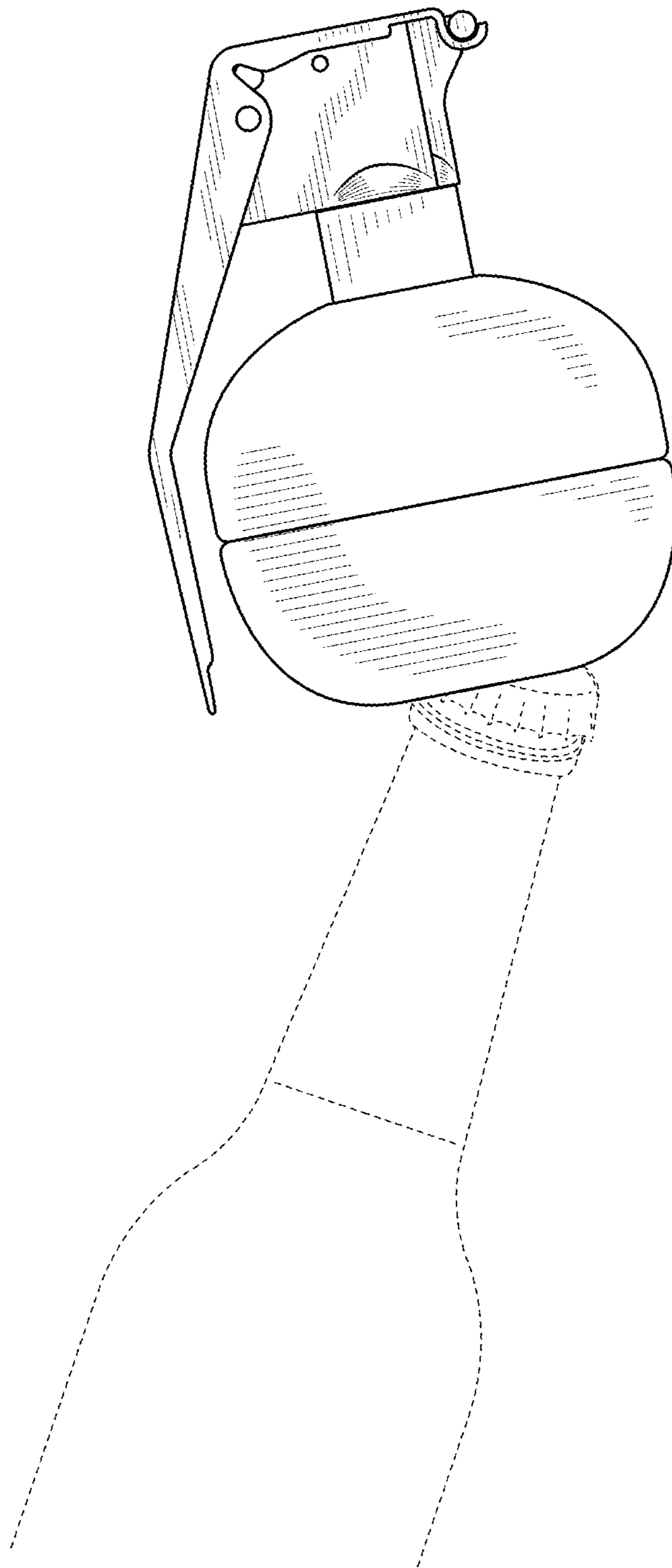


FIG. 8