



US00D783371S

(12) **United States Design Patent** (10) **Patent No.:** **US D783,371 S**
Burton et al. (45) **Date of Patent:** **** Apr. 11, 2017**

(54) **LUNCH BAG**
(71) Applicant: **Barebones Systems, LLC**, Bluffdale, UT (US)
(72) Inventors: **David Jared Burton**, Payson, UT (US); **Erik Robert Workman**, Salt Lake City, UT (US); **Michelle Ann Merrill**, Draper, UT (US); **Robert Emmett Workman**, Morgan, UT (US)
(73) Assignee: **BAREBONES SYSTEMS, LLC**, Bluffdale, UT (US)

D451,279 S * 12/2001 Chin D3/301
D465,134 S * 11/2002 Joss D3/287
D465,924 S * 11/2002 Gisser D3/276
D472,380 S * 4/2003 Hillman D3/263
D627,199 S * 11/2010 Pruchnicki D7/607
D674,246 S * 1/2013 Scott D7/607
D674,664 S * 1/2013 Collie D7/607
D682,635 S * 5/2013 Boroski D7/709
D732,899 S * 6/2015 Seiders D3/246
2007/0237432 A1 * 10/2007 Mogil A45C 7/0077
383/38
2012/0145720 A1 * 6/2012 Hicks A45C 3/00
220/592.2

(**) Term: **15 Years**
(21) Appl. No.: **29/535,144**
(22) Filed: **Aug. 4, 2015**
(51) **LOC (10) Cl.** **07-99**
(52) **U.S. Cl.**
USPC **D7/709**; D7/607; D3/290
(58) **Field of Classification Search**
USPC D3/273, 276, 283, 284, 285, 287, 289, D3/301, 902, 268, 245, 230, 263, 290; D7/709, 607, 602
CPC B65D 81/38; B65D 81/3886; A45F 3/00; A45F 3/16; A45C 7/0077; A45C 11/20
See application file for complete search history.

OTHER PUBLICATIONS

Barebones Living, "The Ascending Soloist", Accessed Jun. 13, 2016. (<http://barebonesliving.com/p/82/The-Ascending-Soloist>).*
(Continued)

Primary Examiner — Jennifer Rivard
Assistant Examiner — April Rivas
(74) *Attorney, Agent, or Firm* — Morris O'Bryant Compagni, PC

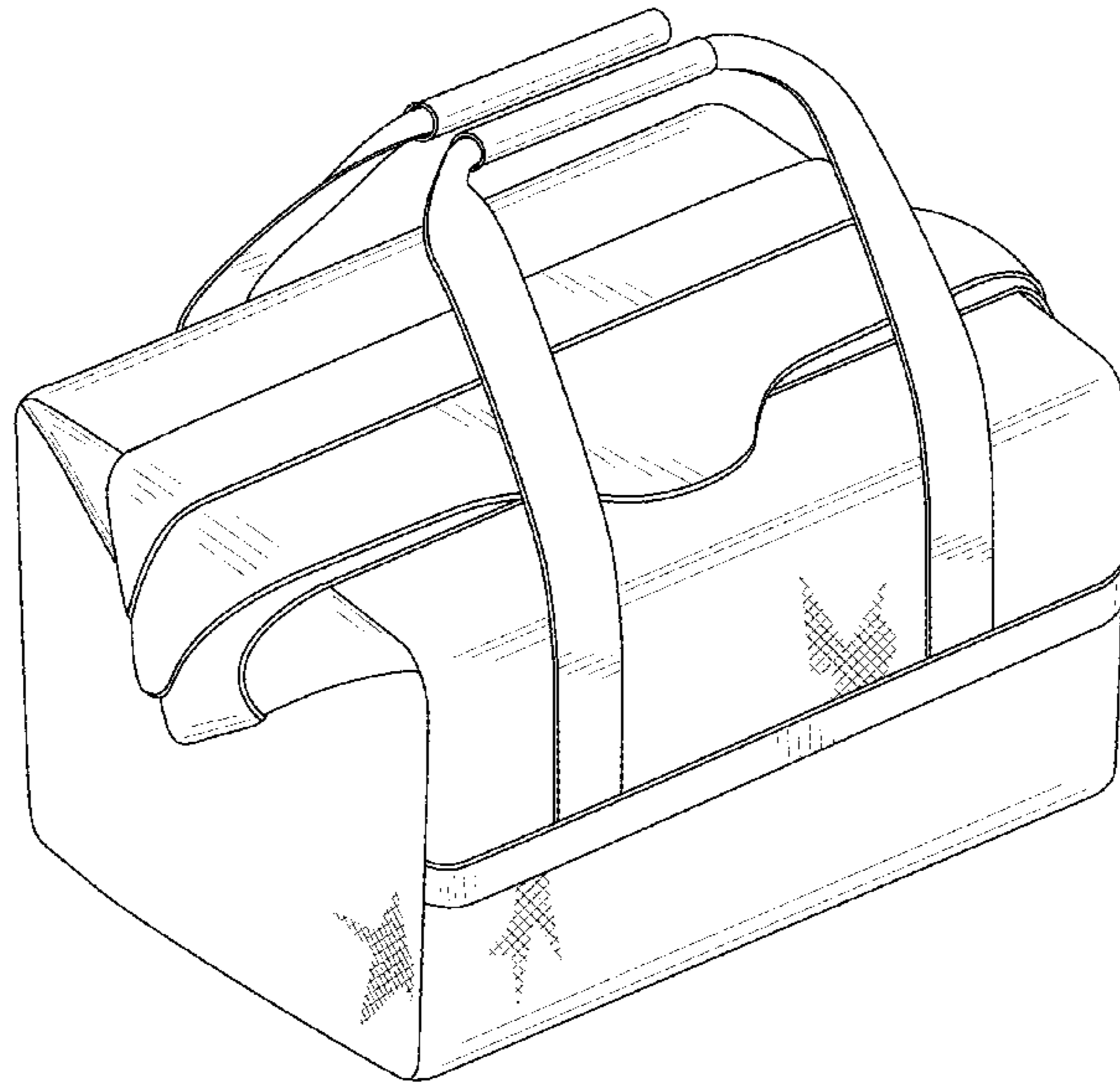
(57) **CLAIM**
The ornamental design for a lunch bag, as shown and described.

DESCRIPTION

FIG. 1 is a perspective front side view of a lunch bag of the present invention;
FIG. 2 is a front side view of the lunch bag;
FIG. 3 is a back side view of the lunch bag;
FIG. 4 is a left side view of the lunch bag;
FIG. 5 is a right side view of the lunch bag;
FIG. 6 is a top side view of the lunch bag; and,
FIG. 7 is a bottom side view of the lunch bag.

(56) **References Cited**
U.S. PATENT DOCUMENTS
D241,783 S * 10/1976 Sykes D3/268
D268,545 S * 4/1983 Weinreb D3/285
D292,645 S * 11/1987 Young D3/245
D300,986 S * 5/1989 Peregrine D3/289
D309,827 S * 8/1990 Wells D3/230
D383,360 S * 9/1997 Melk D3/276
D444,948 S * 7/2001 Buchanan D3/276

1 Claim, 5 Drawing Sheets



(56)

References Cited

OTHER PUBLICATIONS

Polar Bear Coolers, "6 Pack Nylon Soft Cooler", Reviewed as early as Mar. 13, 2012, Accessed Jun. 13, 2016, (<http://www.polarbearcoolers.com/product/6-pack.html>).*

* cited by examiner

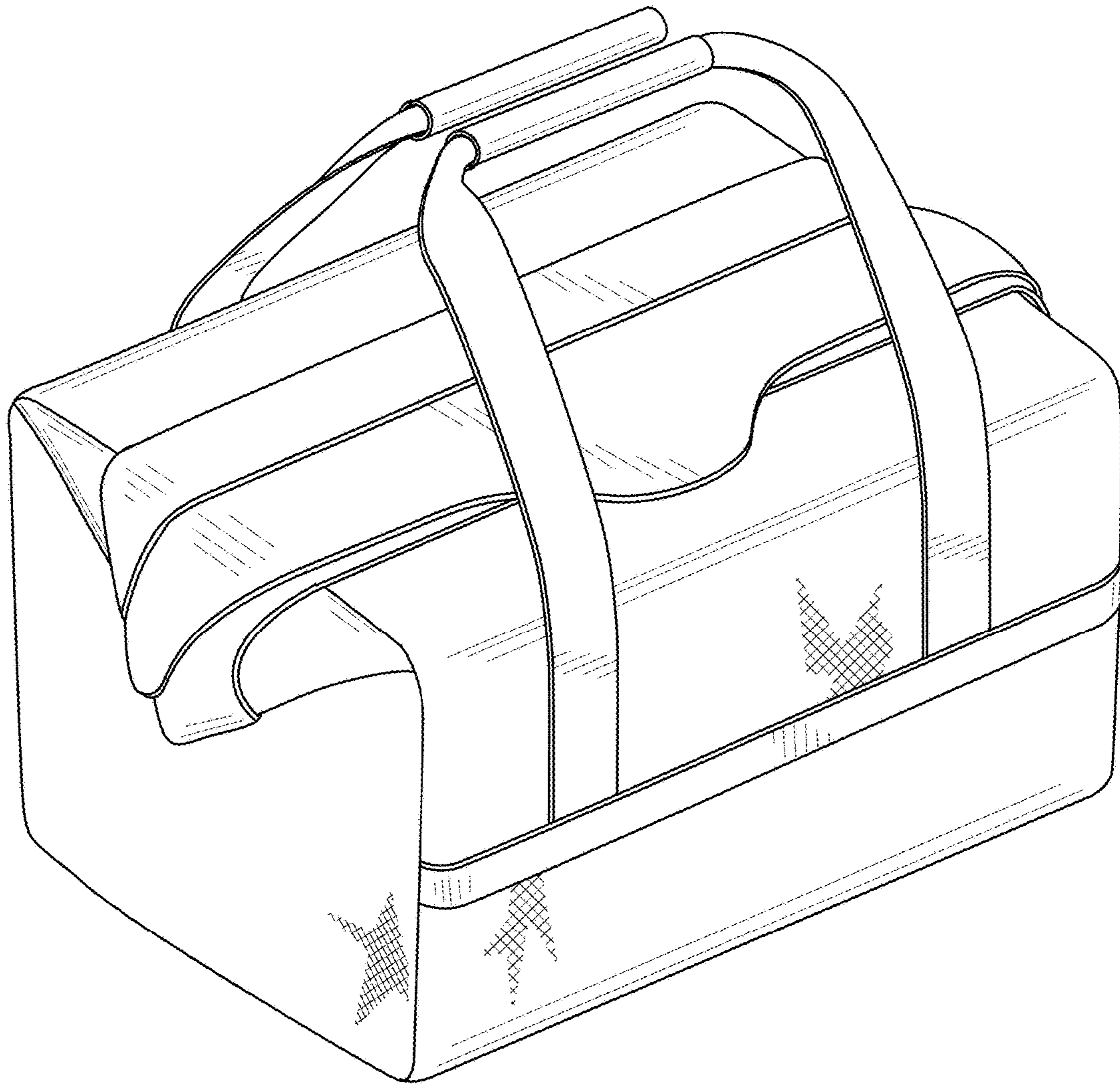


FIG. 1

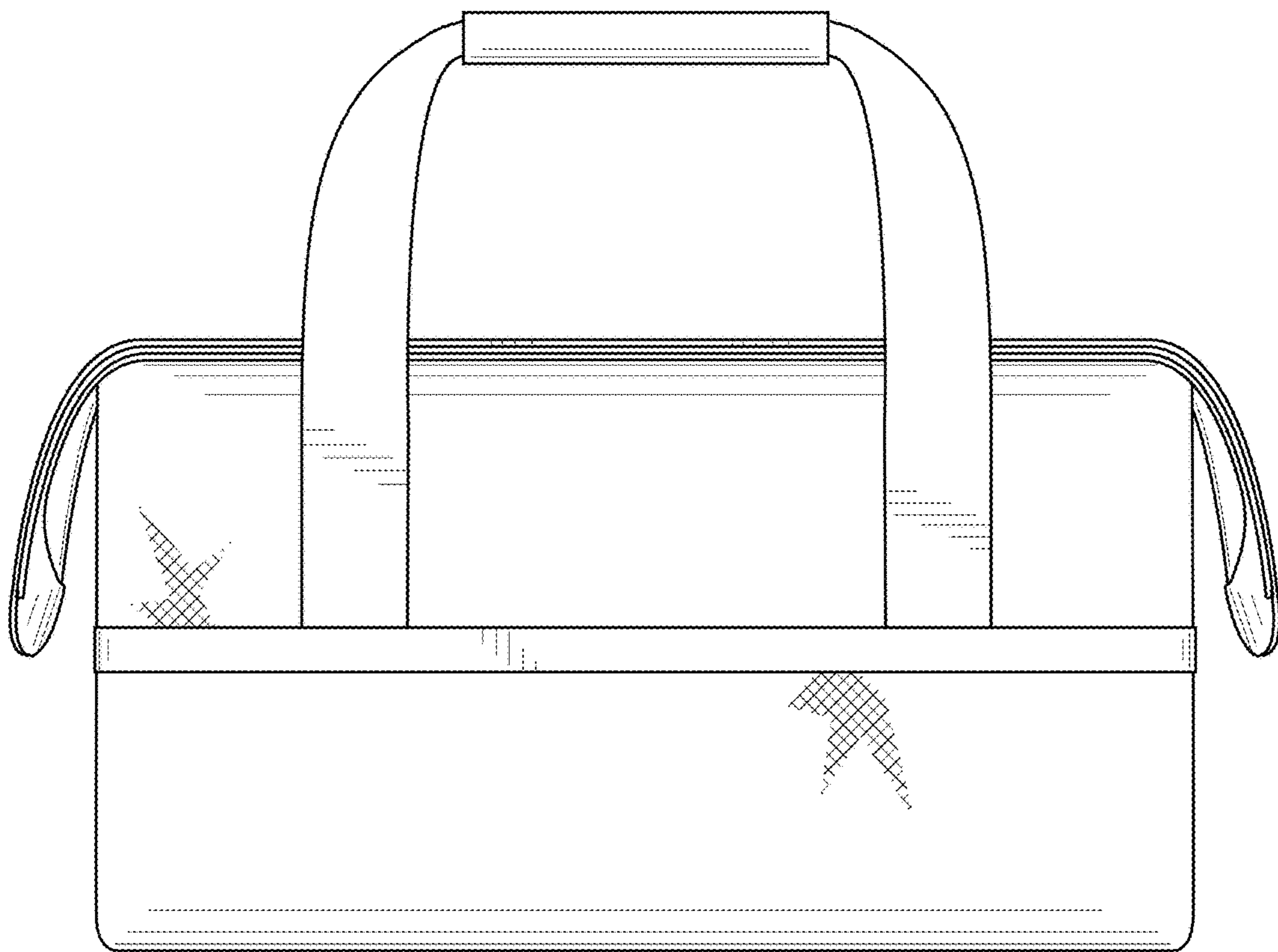


FIG. 2

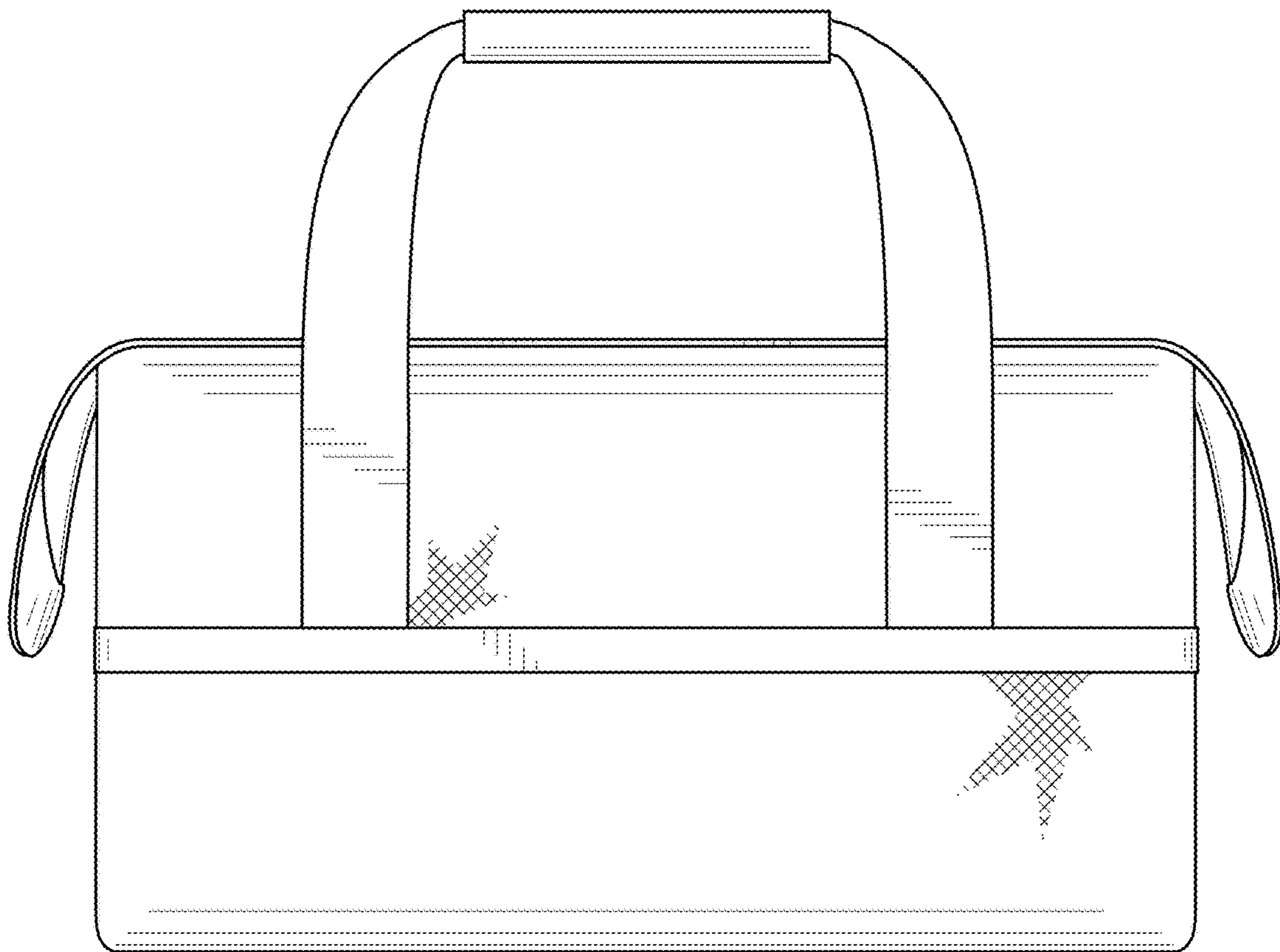


FIG. 3

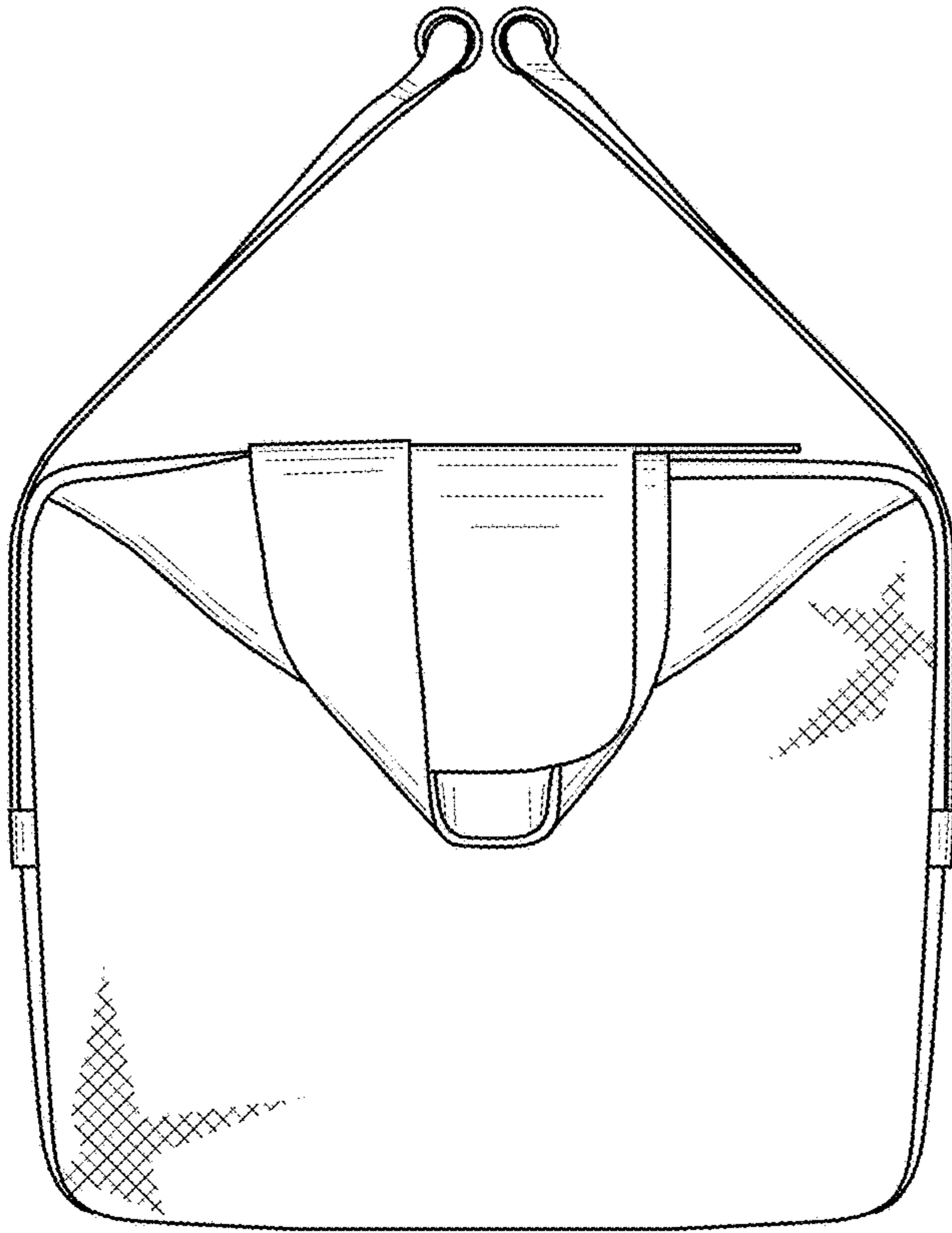


FIG. 4

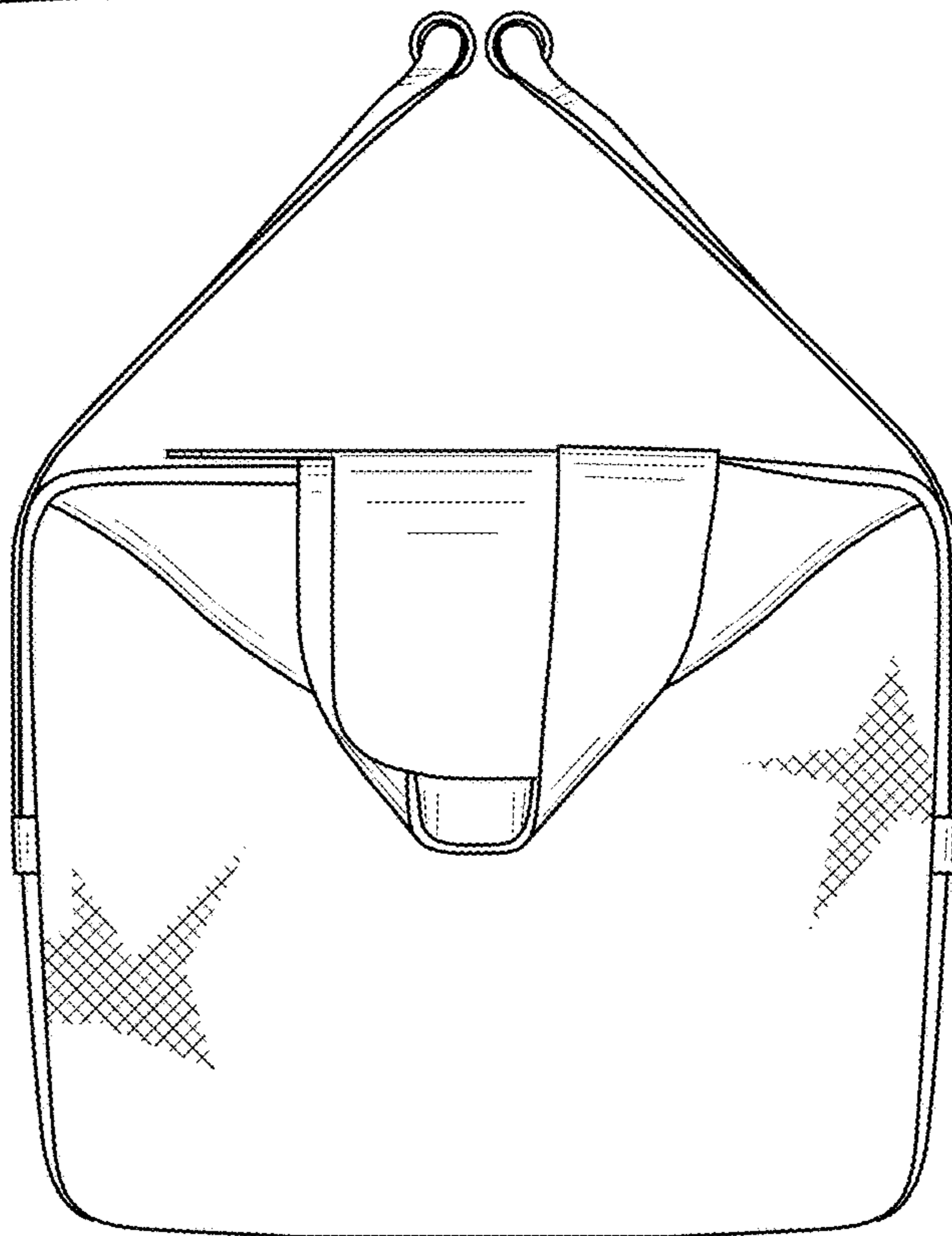


FIG. 5

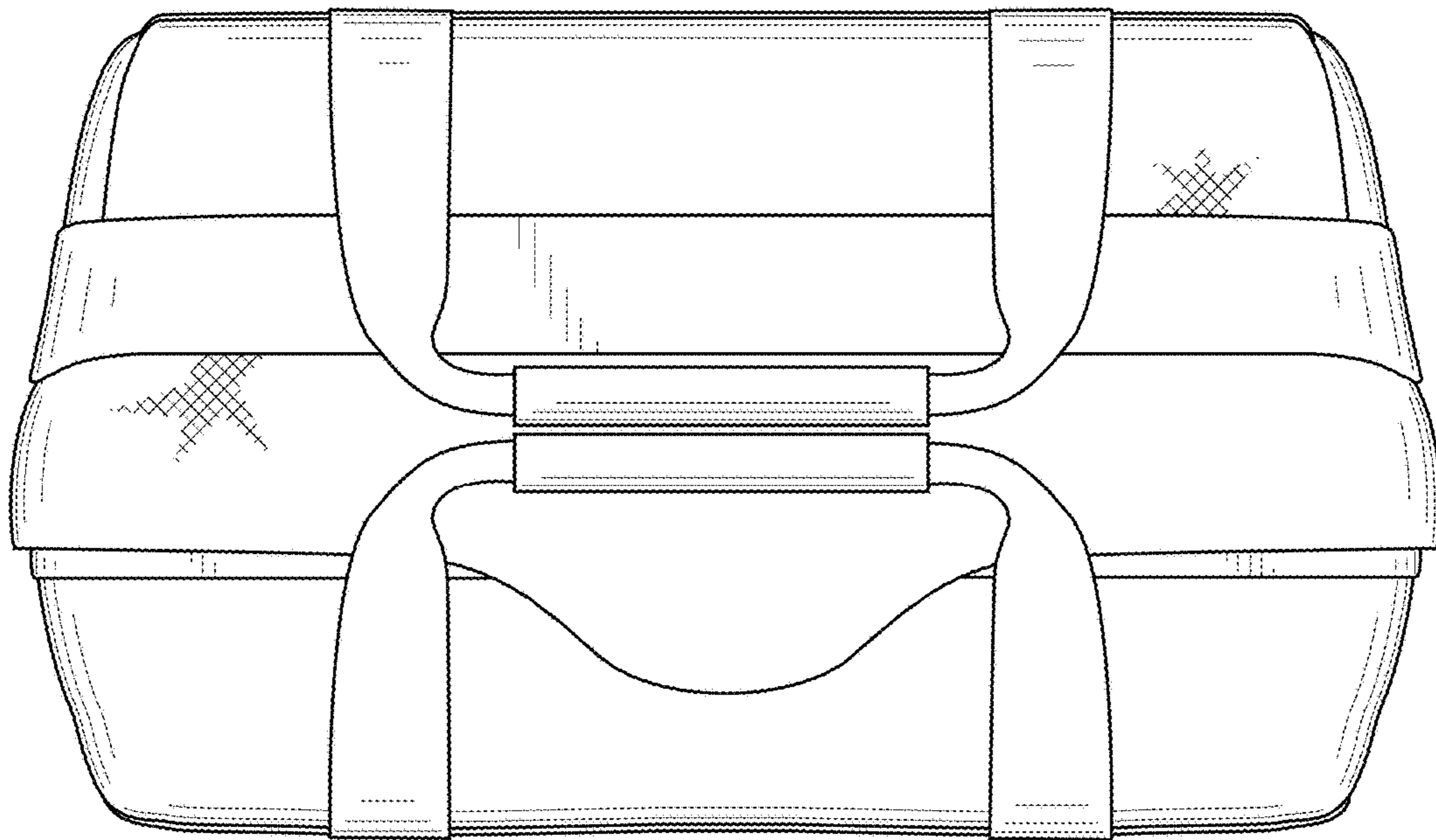


FIG. 6

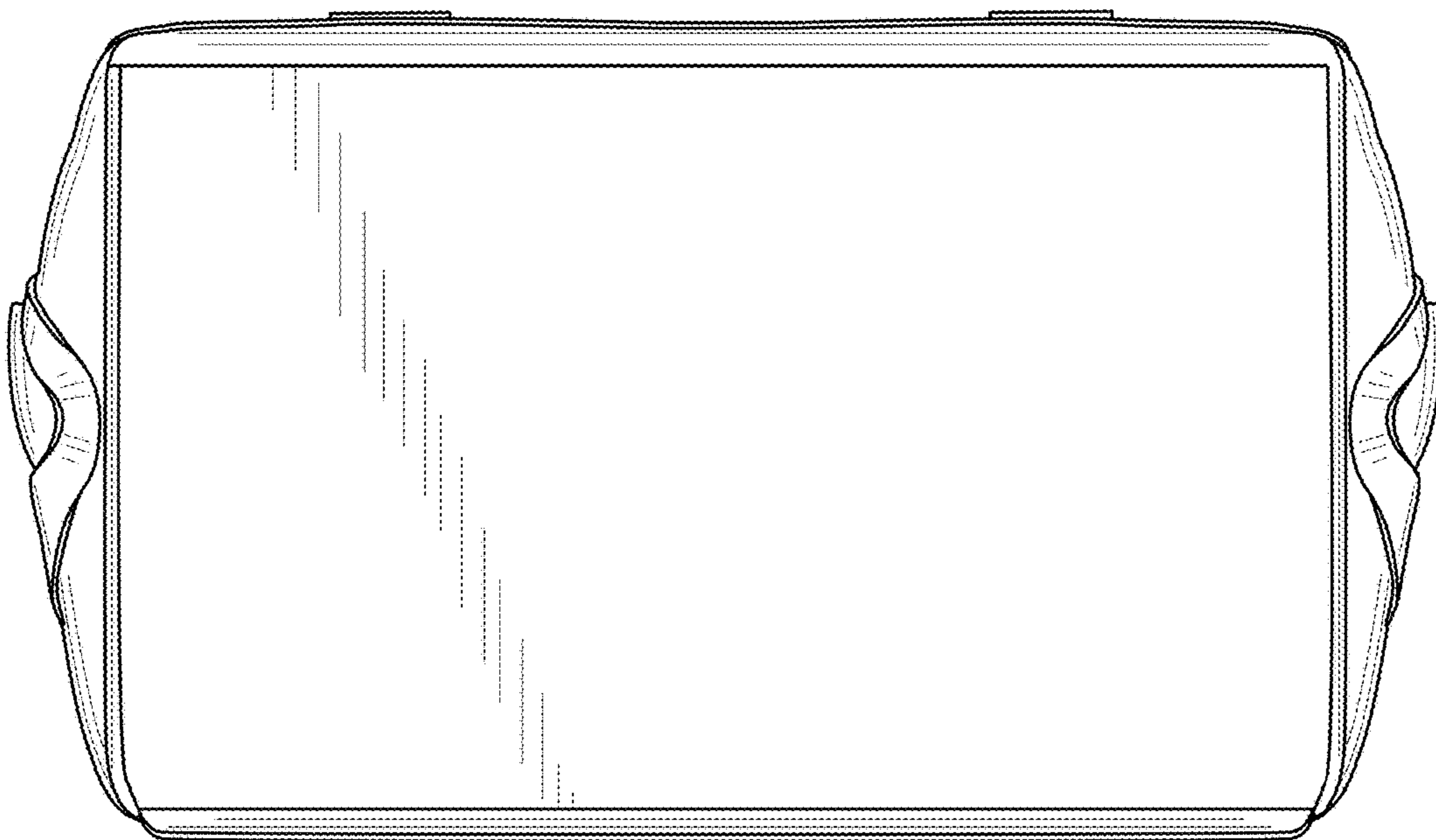


FIG. 7