



US00D783368S

(12) **United States Design Patent** (10) **Patent No.:** **US D783,368 S**
Seiders et al. (45) **Date of Patent:** **** Apr. 11, 2017**

(54) **BOTTLE**
(71) Applicant: **YETI Coolers, LLC**, Austin, TX (US)
(72) Inventors: **Roy Joseph Seiders**, Austin, TX (US);
Steve Nichols, Austin, TX (US);
Matthew Joseph Petrillo, Austin, TX (US)
(73) Assignee: **YETI Coolers, LLC**, Austin, TX (US)

D256,651 S 9/1980 Leung et al.
D279,346 S * 6/1985 Ruxton D7/321
D281,567 S 12/1985 Zimmermann
D286,604 S 11/1986 Bierlein et al.
D286,847 S 11/1986 Zimmermann
D287,211 S 12/1986 Weiss
D321,628 S * 11/1991 Kobayashi D7/608
(Continued)

(**) Term: **15 Years**
(21) Appl. No.: **29/544,212**

FOREIGN PATENT DOCUMENTS

CN 301110494 1/2010
CN 303528321 12/2015
(Continued)

(22) Filed: **Oct. 30, 2015**
(51) **LOC (10) Cl.** **07-01**
(52) **U.S. Cl.**
USPC **D7/608**; D7/510; D9/504
(58) **Field of Classification Search**
USPC D7/605-608, 509, 510, 511;
D9/500-505, 443, 516, 532, 522, 558
CPC A47G 19/2205; A47G 2019/2294; A47G
19/23; A47G 19/2272; A47J 41/02; A47J
41/022; A47J 41/024; A47J 41/026; A47J
41/028; A47J 41/00; A47J 41/0077; B65D
81/3823; B65D 81/3818; B65D 81/3846
See application file for complete search history.

OTHER PUBLICATIONS

Yeti 36 oz. Rambler: Announced Jan. 11, 2016 [online], site visited
[May 10, 2016]. Available from Internet URL: <http://yeticoolers.com/rambler-bottle-36-oz/>.

(Continued)

Primary Examiner — Terry Wallace
(74) *Attorney, Agent, or Firm* — Banner & Witcoff, Ltd.

(57) **CLAIM**

The ornamental design for a bottle, as shown and described.

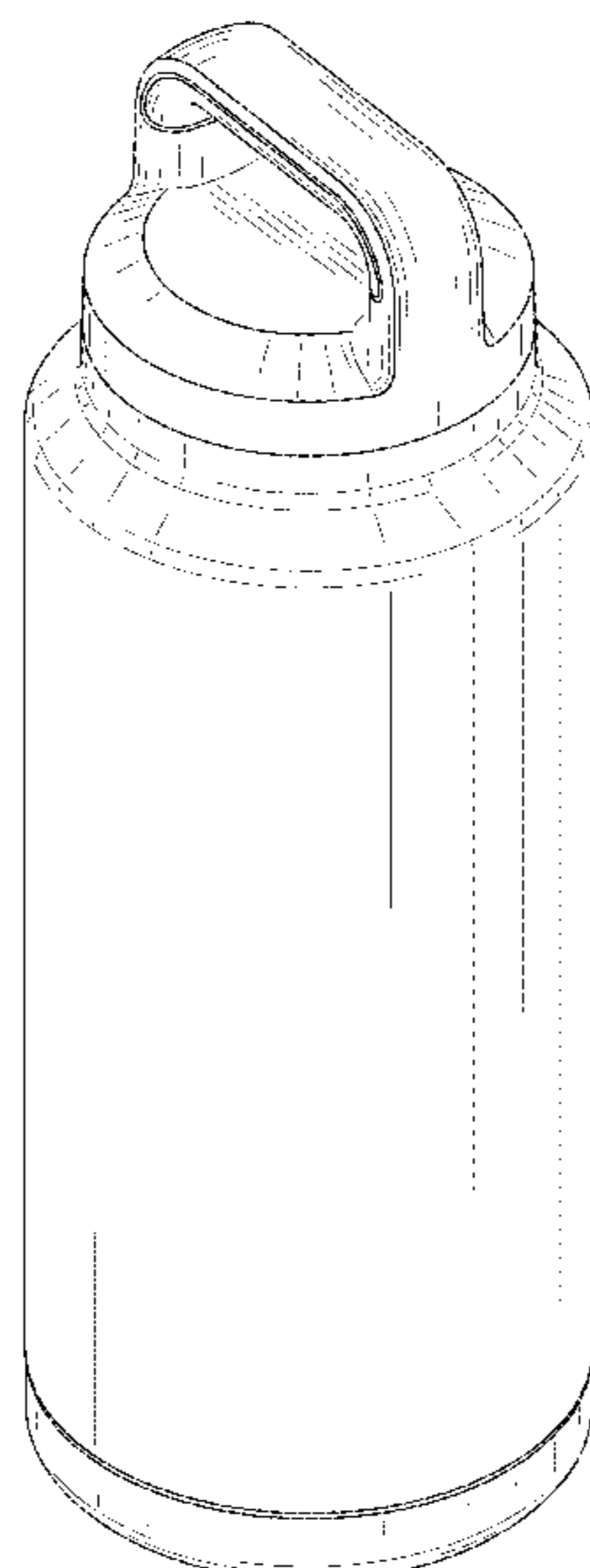
DESCRIPTION

FIG. 1 is a top, front, right perspective view of a bottle showing our new design;
FIG. 2 is a front view thereof, wherein the rear view is a mirror image of FIG. 2;
FIG. 3 is a right side view thereof, wherein the left side view is a mirror image of FIG. 3; and,
FIG. 4 is a top view thereof.
The broken lines immediately adjacent to the shaded area represent unclaimed boundaries of the design.

(56) **References Cited**
U.S. PATENT DOCUMENTS

D109,331 S 4/1938 McManus et al.
D154,378 S 7/1949 Fuller
D177,761 S 5/1956 Reinhardt
2,963,187 A * 12/1960 Bramming A47J 41/02
215/12.1
3,089,603 A * 5/1963 Leslie-Smith A47J 41/02
215/12.1
D224,646 S 8/1972 Vollquartz
D235,303 S 6/1975 Boucher

1 Claim, 4 Drawing Sheets



(56)

References Cited

U.S. PATENT DOCUMENTS

D332,379 S 1/1993 Murphy
 D354,915 S 1/1995 Schneider et al.
 D368,224 S 3/1996 Arndt
 D398,193 S 9/1998 Sanchez
 D405,650 S 2/1999 Meier
 D415,395 S 10/1999 Hunt et al.
 D422,916 S 4/2000 Herrmann
 6,332,557 B1* 12/2001 Moran A47J 41/0083
 215/12.1
 D456,669 S * 5/2002 Munari D7/392.1
 D458,133 S 6/2002 Berish et al.
 D458,134 S 6/2002 Berish et al.
 D466,814 S 12/2002 Hurlburt
 D479,800 S 9/2003 McRae
 D482,607 S 11/2003 McRae
 D494,425 S 8/2004 Segura
 D524,909 S 7/2006 Bakke et al.
 D525,518 S 7/2006 Baldwin
 D536,929 S * 2/2007 Kingsley D7/510
 D548,082 S * 8/2007 Kingsley D9/500
 D553,914 S 10/2007 Wahl
 D554,000 S 10/2007 Walsh
 D564,363 S 3/2008 Rhea
 D572,585 S 7/2008 Perrin et al.
 D584,623 S 1/2009 Chupak
 D587,533 S 3/2009 Carreno
 D601,436 S 10/2009 Stephens et al.
 D603,331 S 11/2009 Schupp
 D603,722 S 11/2009 Reimer
 D604,181 S 11/2009 Reimer
 D604,561 S 11/2009 Chisholm
 D605,040 S 12/2009 Fry et al.
 D605,060 S 12/2009 Reimer
 D611,346 S 3/2010 Camomile
 D612,235 S 3/2010 Cresswell et al.
 D614,918 S 5/2010 Chisholm
 D615,360 S 5/2010 Joy et al.
 D615,816 S 5/2010 Joy et al.
 D616,703 S 6/2010 Joy et al.
 D616,743 S 6/2010 Cresswell et al.
 D616,744 S * 6/2010 Cresswell D9/443
 D619,457 S 7/2010 Walsh
 D619,458 S 7/2010 Walsh
 D619,459 S 7/2010 Walsh
 D620,798 S 8/2010 Cresswell et al.
 D621,257 S 8/2010 Gullickson et al.
 D621,258 S 8/2010 Gullickson et al.
 D622,089 S 8/2010 Daniel et al.
 D622,145 S 8/2010 Walsh
 D623,475 S 9/2010 Aarnoudse et al.
 D625,560 S * 10/2010 Olson D7/300.1
 D626,414 S 11/2010 Cresswell et al.
 D626,416 S * 11/2010 Cresswell D7/510
 D627,601 S 11/2010 Eyal
 D627,602 S 11/2010 Eyal
 D627,604 S 11/2010 Eyal
 D628,486 S 12/2010 Lane
 D629,689 S 12/2010 Cresswell et al.
 D629,690 S 12/2010 Cresswell et al.
 D629,691 S 12/2010 Cresswell et al.
 D630,474 S 1/2011 Gilbert
 D630,475 S 1/2011 Lu
 D631,666 S 2/2011 Lim et al.
 D633,338 S 3/2011 Rosbach et al.
 D633,794 S 3/2011 Cresswell et al.
 D633,795 S 3/2011 Cresswell et al.
 D633,796 S 3/2011 Cresswell et al.
 D633,797 S 3/2011 Cresswell et al.
 D635,457 S * 4/2011 Lane D7/510
 D635,856 S 4/2011 Lauret
 D638,695 S * 5/2011 Woodrow D8/382
 D638,708 S 5/2011 Walsh
 D639,164 S 6/2011 Walsh
 D639,661 S 6/2011 Llerena
 D639,663 S 6/2011 Llerena

D641,591 S 7/2011 Tsukida
 D651,847 S 1/2012 Gilbert
 D652,255 S 1/2012 Carland
 D652,682 S 1/2012 Eyal
 D654,762 S 2/2012 Gilbert
 D655,134 S 3/2012 Gilbert
 D655,581 S 3/2012 Kotani
 D657,196 S * 4/2012 Beyers, III D7/513
 D658,064 S 4/2012 Barnes et al.
 D658,445 S 5/2012 Carreno
 D659,007 S 5/2012 Pape
 D660,084 S 5/2012 Gilbert
 D662,360 S * 6/2012 George D7/510
 8,215,511 B1* 7/2012 Lin B65D 39/08
 215/228
 D664,809 S 8/2012 Eyal
 D665,621 S 8/2012 Eyal
 D668,913 S * 10/2012 Mayer D7/510
 D672,238 S 12/2012 Aziz et al.
 D672,609 S 12/2012 Aziz et al.
 D675,100 S 1/2013 Herbst
 D676,764 S 2/2013 Moore et al.
 D678,772 S 3/2013 Johnson et al.
 D680,389 S * 4/2013 Zemel D7/672
 D684,059 S 6/2013 Johnson et al.
 D686,078 S 7/2013 Johnson et al.
 D688,093 S 8/2013 Roth et al.
 D693,698 S 11/2013 Miller, Jr.
 D695,138 S 12/2013 Ball
 D696,945 S 1/2014 Newman
 D697,404 S 1/2014 Johnson et al.
 D698,668 S 2/2014 Vaughn
 D701,464 S 3/2014 Ogata et al.
 D702,092 S 4/2014 Mettler et al.
 D702,506 S 4/2014 Mettler et al.
 D708,954 S * 7/2014 Barnes D7/511
 D709,734 S 7/2014 Kotani
 D712,254 S 9/2014 Geis et al.
 D712,255 S 9/2014 Geis et al.
 D713,268 S 9/2014 Jones et al.
 D713,365 S 9/2014 Green
 D717,102 S 11/2014 Taketani et al.
 D724,385 S 3/2015 Hurley et al.
 D728,315 S 5/2015 Bo
 D728,995 S 5/2015 Barberi
 D729,579 S * 5/2015 Molayem D7/507
 D729,584 S 5/2015 Weston et al.
 D732,402 S 6/2015 Jones et al.
 D734,154 S 7/2015 Johnson et al.
 D735,578 S 8/2015 Mazurkiewicz et al.
 D741,655 S 10/2015 Whelan et al.
 D743,742 S 11/2015 Rummel et al.
 D744,781 S 12/2015 Rummel et al.
 D754,472 S 4/2016 Munari
 2011/0186585 A1* 8/2011 Lu A47J 41/00
 220/575
 2014/0353275 A1* 12/2014 Hung B65D 47/305
 215/311

FOREIGN PATENT DOCUMENTS

JP 1530358 8/2015
 KR 300303813.0000 8/2002
 KR 300751936.0000 7/2014
 KR 300764889.0000 10/2014
 WO D088688-002 1/2016

OTHER PUBLICATIONS

Kold Vacuum Insulated Stainless Steel Sports Bottle: Announced Dec. 8, 2015 [online], site visited [May 11, 2016]. Available from Internet URL: <http://www.amazon.com/KOLD-Sports-Water-Bottles-Insulated/dp/B018YH K79E/ref=cm>. "Hydro Flask Insulated Stainless Steel Water Bottle" published on Dec. 29, 2014, retrieved from http://web.archive.org/web/*/https://www.amazon.com/dp/B004X55L9I/ref=twister_B00GA03LG4?_encoding=UTF8&p=1 on Sep. 22, 2016.

(56)

References Cited

OTHER PUBLICATIONS

“UA Beyond 18 oz. Vacuum Insulated Water Bottle” published on Mar. 29, 2015, retrieved from http://web.archive.org/web/*/https://www.underarmour.com/en-us/beyond-18-oz-vacuum-insulated-ss-bottle-with-flip-top-lid/pid1232014 on Sep. 22, 2016.

“Klean Kanteen Insulated Classic with Polypropylene” published on Jul. 7, 2015, retrieved from http://web.archive.org/web/*/https://www.lifewithoutplastic.com/store/klean-kanteen-insulated-classic-with-polypropylene-loop-cap-0-95-l-32-oz.html on Sep. 22, 2016.

“Eco Vessel 64 ounce Growler” published on Jan. 28, 2015, retrieved from http://web.archive.org/web/*/http://www.snewsnet.com/press-release/eco-vessel-launches-the-boss-insulated-growler/ on Sep. 22, 2016.

“60 oz Double-Wall Vacuum-Insulated Growler” published on Nov. 14, 2014, retrieved from https://web.archive.org/web/*/http://www.fiftyfiftybottles.com/64oz-growler/ on Sep. 22, 2016.

“2015 Boulder Insulated Water Bottle with Tea, Fruit, Ice Strainer” published on Jun. 28, 2015, retrieved from http://web.archive.org/web/*/http://www.ecovessel.com/boulder-insulated-water-bottle-with-tea-fruit-ice-strainer-20-oz/ on Sep. 22.

United States District Court Western District of Texas Austin Division, “Defendants’ Motion to Dismiss Pursuant to Rule 12(b)(6),” *YETI Coolers, LLC v. RTIC Coolers, LLC, RTIC Drinkware, LLC and RTIC Web Services, LLC*, Case: 1:16N-00985, Document 9, filed Sep. 23, 2016, 27 pages.

“KB8 20 oz. Double Wall Stainless Bottle,” published on May 22, 2015, retrieved from <https://web.archive.org/web/20150807054814/http://thermo-steel.com/work/keen-kb8> on Sep. 27, 2016.

United States District Court Western District of Texas Austin Division, “Complaint for Damages and Injunctive Relief,” *YETI Coolers, LLC v. RTIC Coolers, LLC, RTIC Drinkware, LLC and RTIC Web Services, LLC*, Case: 1:16-cv-00985, Document #1, filed Aug. 18, 2016, 27 pages.

English translation of Office Action issued on Nov. 1, 2016 for JP Application No. 2016-9605, 2 pages.

English translation of Office Action issued on Nov. 1, 2016 for JP Application No. 2016-9606, 2 pages.

English translation of Office Action issued on Oct. 4, 2016 for JP Application No. 2016-9607, 2 pages.

English translation of Office Action issued on Oct. 4, 2016 for JP Application No. 2016-9608, 2 pages.

* cited by examiner

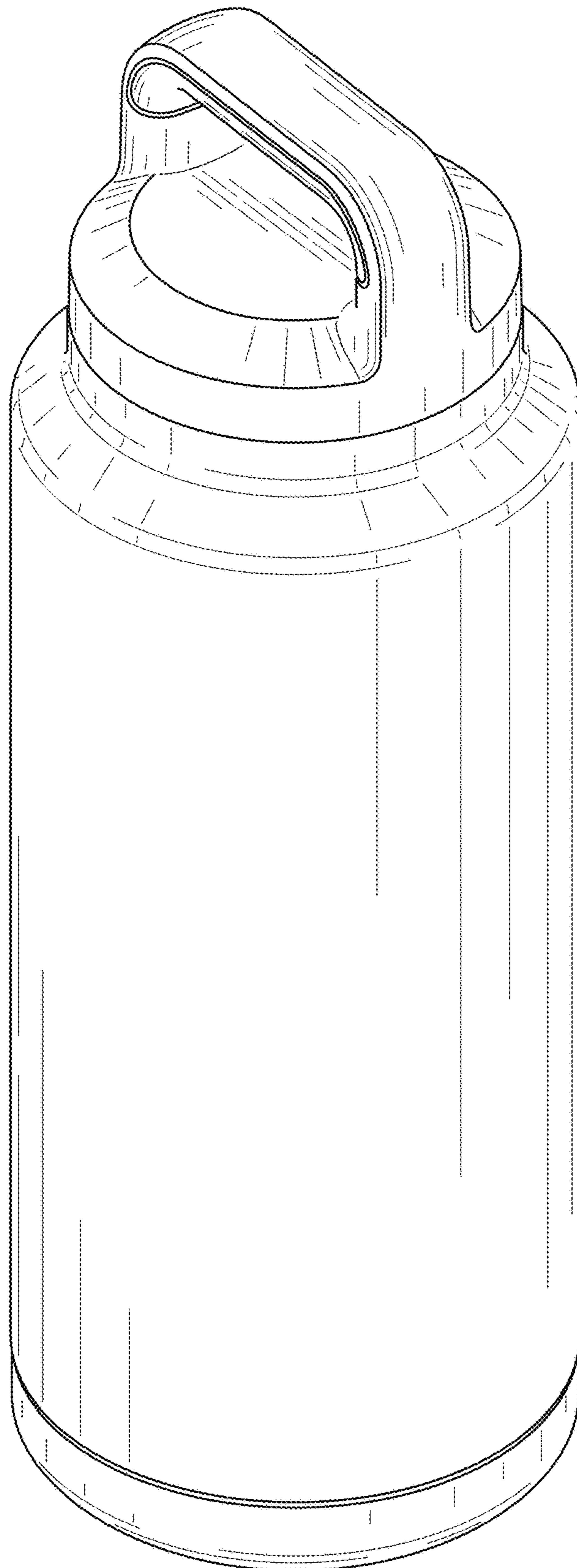


FIG. 1

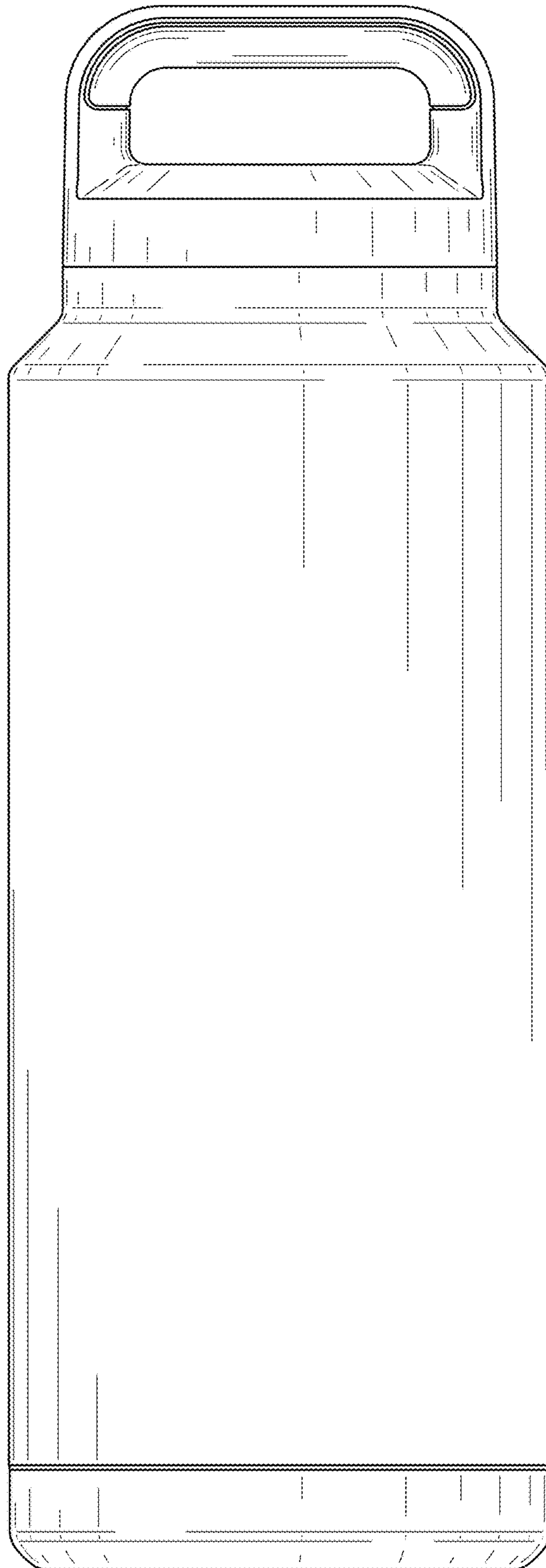


FIG. 2



FIG. 3

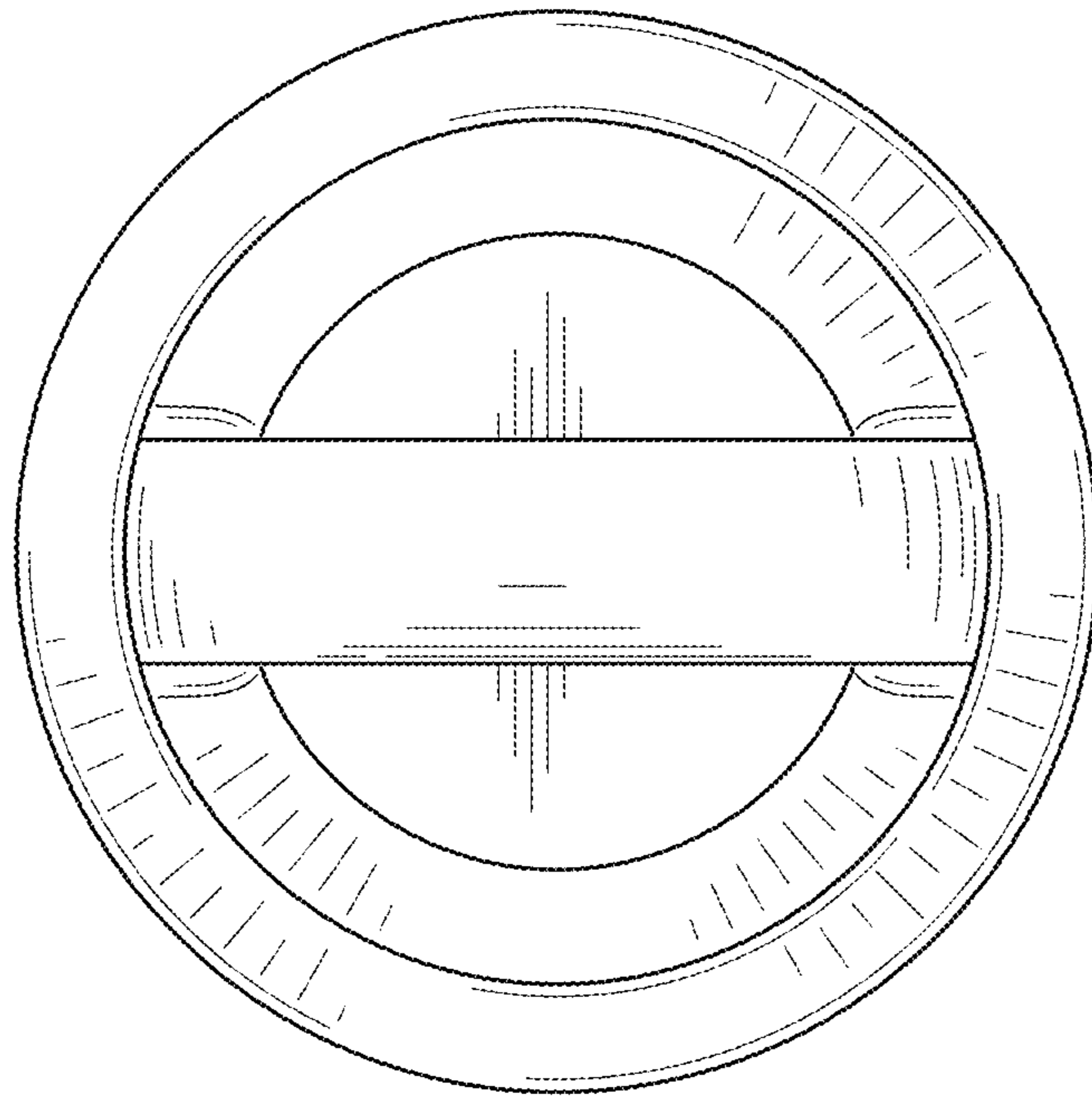


FIG. 4