



US00D783365S

(12) **United States Design Patent** (10) **Patent No.:** **US D783,365 S**  
**Hsu** (45) **Date of Patent:** **\*\* Apr. 11, 2017**

(54) **BOWL**  
(71) Applicant: **Inno-art Corporation**, Taipei (TW)  
(72) Inventor: **Sung-Ming Hsu**, Taipei (TW)  
(73) Assignee: **Inno-Art Corporation**, Taipei (TW)  
(\*\*) Term: **15 Years**  
(21) Appl. No.: **29/534,160**  
(22) Filed: **Jul. 27, 2015**  
(51) **LOC (10) Cl.** ..... **07-01**  
(52) **U.S. Cl.**  
USPC ..... **D7/584**  
(58) **Field of Classification Search**  
USPC ..... D7/584, 500, 570, 566, 565, 557, 552.2,  
D7/503, 538, 543, 553.6; D3/306;  
217/122; 147/18; 220/23.83, 574.1, 574  
CPC ..... A47G 19/02; A47G 19/025  
See application file for complete search history.

D543,787 S \* 6/2007 Wasserman ..... D7/565  
D545,113 S \* 6/2007 Lion ..... D7/354  
D548,530 S \* 8/2007 Dien ..... D7/560  
D551,510 S \* 9/2007 Serra ..... D7/500  
D551,909 S \* 10/2007 Eide ..... D7/560  
D563,729 S \* 3/2008 Eide ..... D7/584  
D575,589 S \* 8/2008 Fadda ..... D7/584  
D675,479 S \* 2/2013 Phillips ..... D7/507  
D681,448 S \* 5/2013 O'Malley ..... D9/429  
D694,586 S \* 12/2013 Miller ..... D7/587  
D699,078 S \* 2/2014 Katterheinrich ..... D7/587  
D763,626 S \* 8/2016 Westrick ..... D7/584  
D770,231 S \* 11/2016 Hume ..... D7/523  
2007/0284426 A1 \* 12/2007 Lo ..... B65D 81/3869  
229/403

\* cited by examiner

*Primary Examiner* — Cynthia Underwood  
(74) *Attorney, Agent, or Firm* — Muncy, Geissler, Olds & Lowe, P.C.

(57) **CLAIM**

I claim the ornamental design for a bowl, as shown and described.

(56) **References Cited**

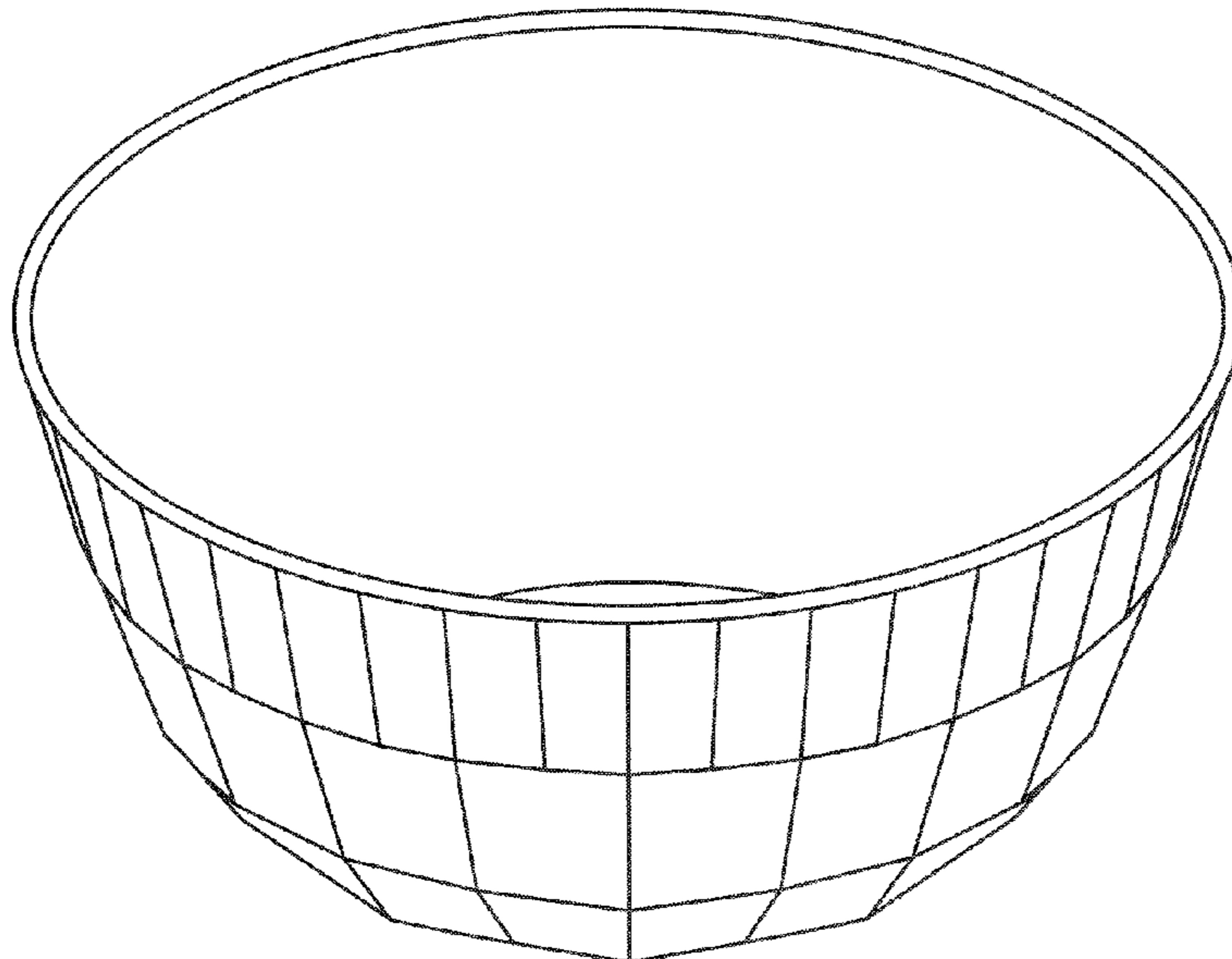
**U.S. PATENT DOCUMENTS**

D37,604 S \* 10/1905 Fletcher ..... D7/531  
D43,852 S \* 4/1913 Sanford ..... D26/134  
D67,095 S \* 4/1925 Oldham ..... D26/136  
D69,929 S \* 4/1926 Zimmerman ..... 119/463  
D338,375 S \* 8/1993 Andress ..... D7/560  
D385,749 S \* 11/1997 Ebrahim ..... D7/560  
D443,683 S \* 6/2001 Freeman ..... D23/293.1  
D455,608 S \* 4/2002 McWilliams ..... D7/400  
D460,663 S \* 7/2002 Seager ..... D7/565  
D468,202 S \* 1/2003 Chou ..... D9/425  
D479,672 S \* 9/2003 Wichmann ..... D7/565  
D511,437 S \* 11/2005 Brown ..... D7/566

**DESCRIPTION**

FIG. 1 is a perspective view of a bowl, showing my design; FIG. 2 is a front view of the bowl of FIG. 1, the back view being a mirror image thereof; FIG. 3 is a right-side view of the bowl of FIG. 1, the left-side view being a mirror image thereof; FIG. 4 is a top view of the bowl of FIG. 1; FIG. 5 is a bottom view of the bowl of FIG. 1; and, FIG. 6 is a cross section view taken along line 6-6 of the bowl of FIG. 4.

**1 Claim, 6 Drawing Sheets**



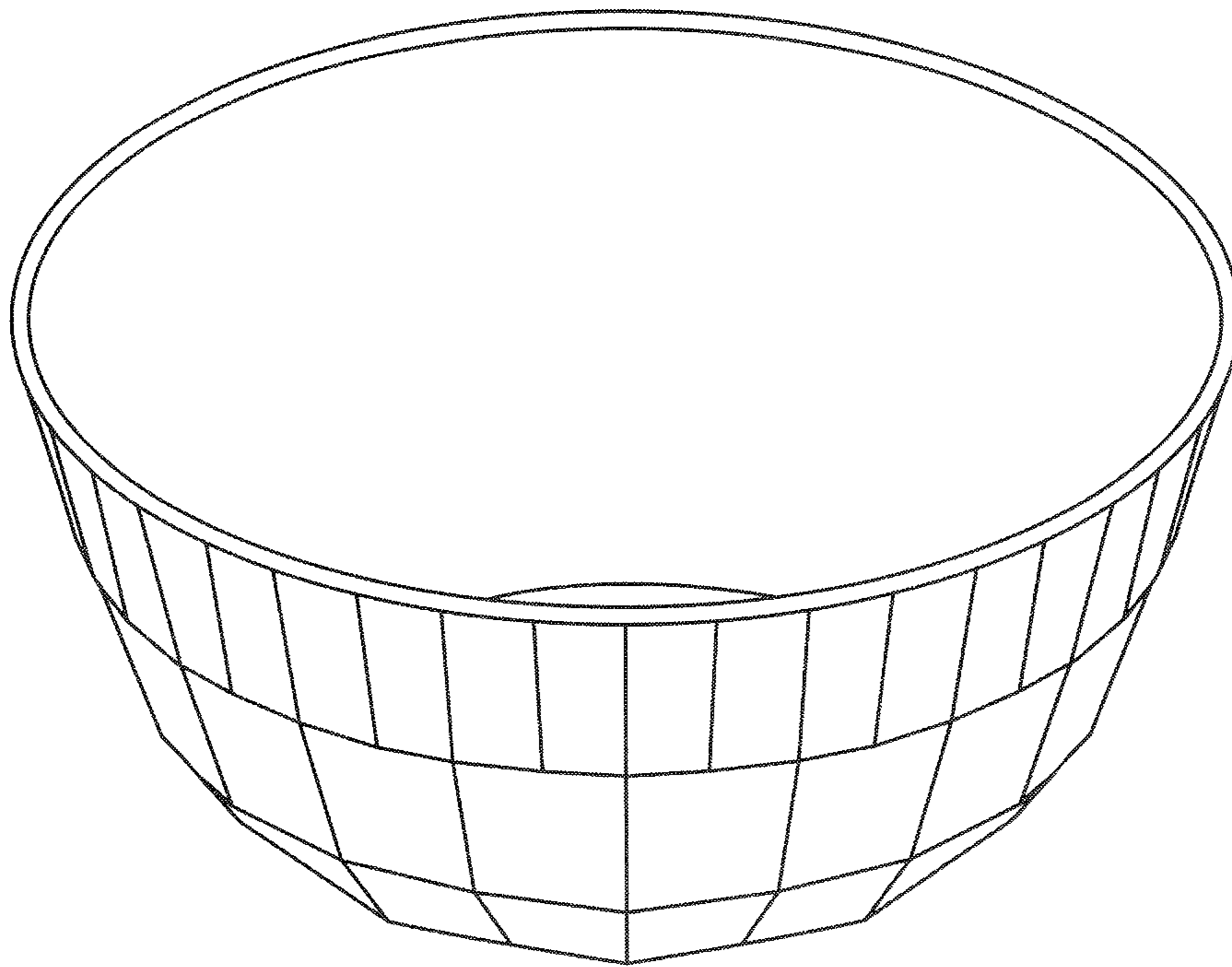


FIG. 1

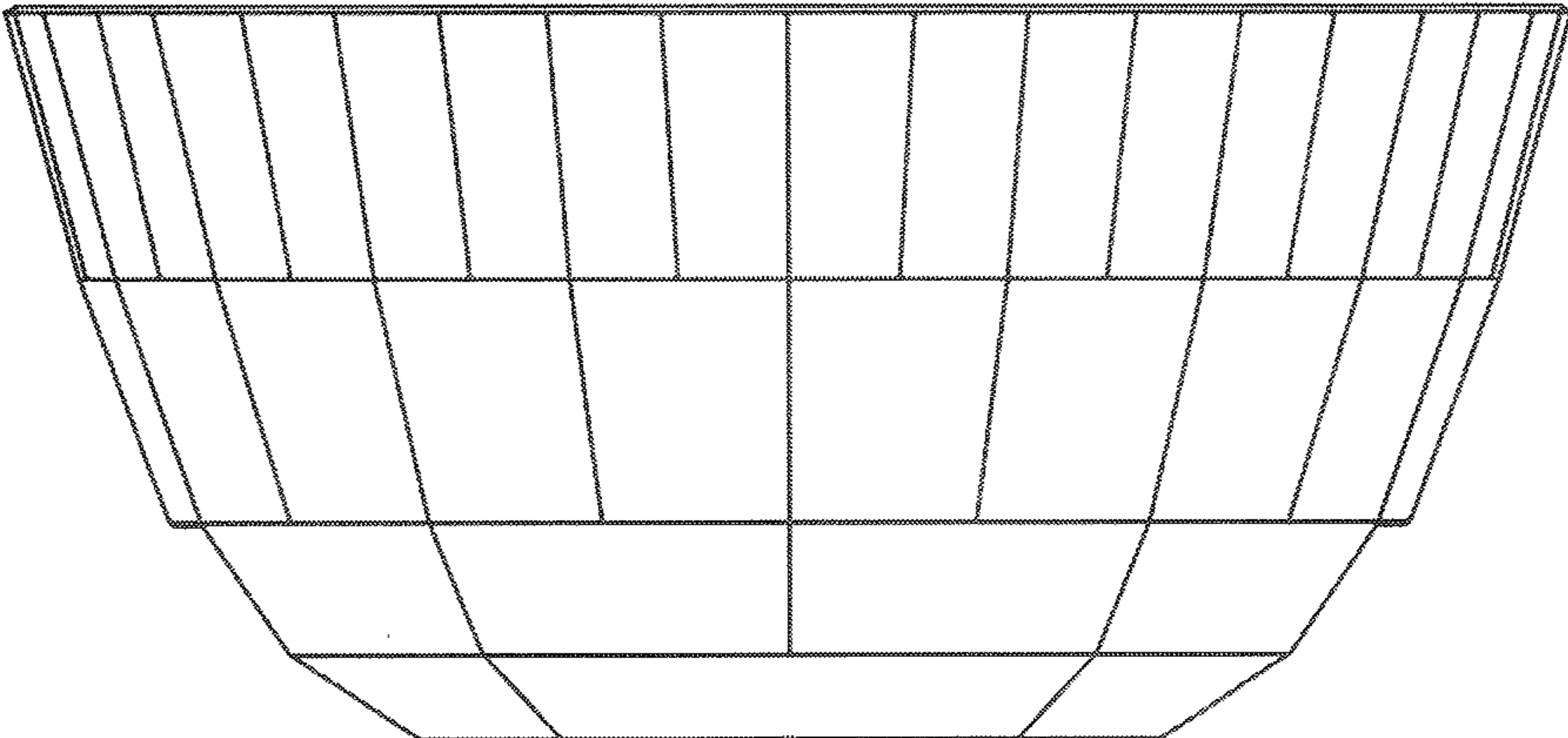


FIG. 2

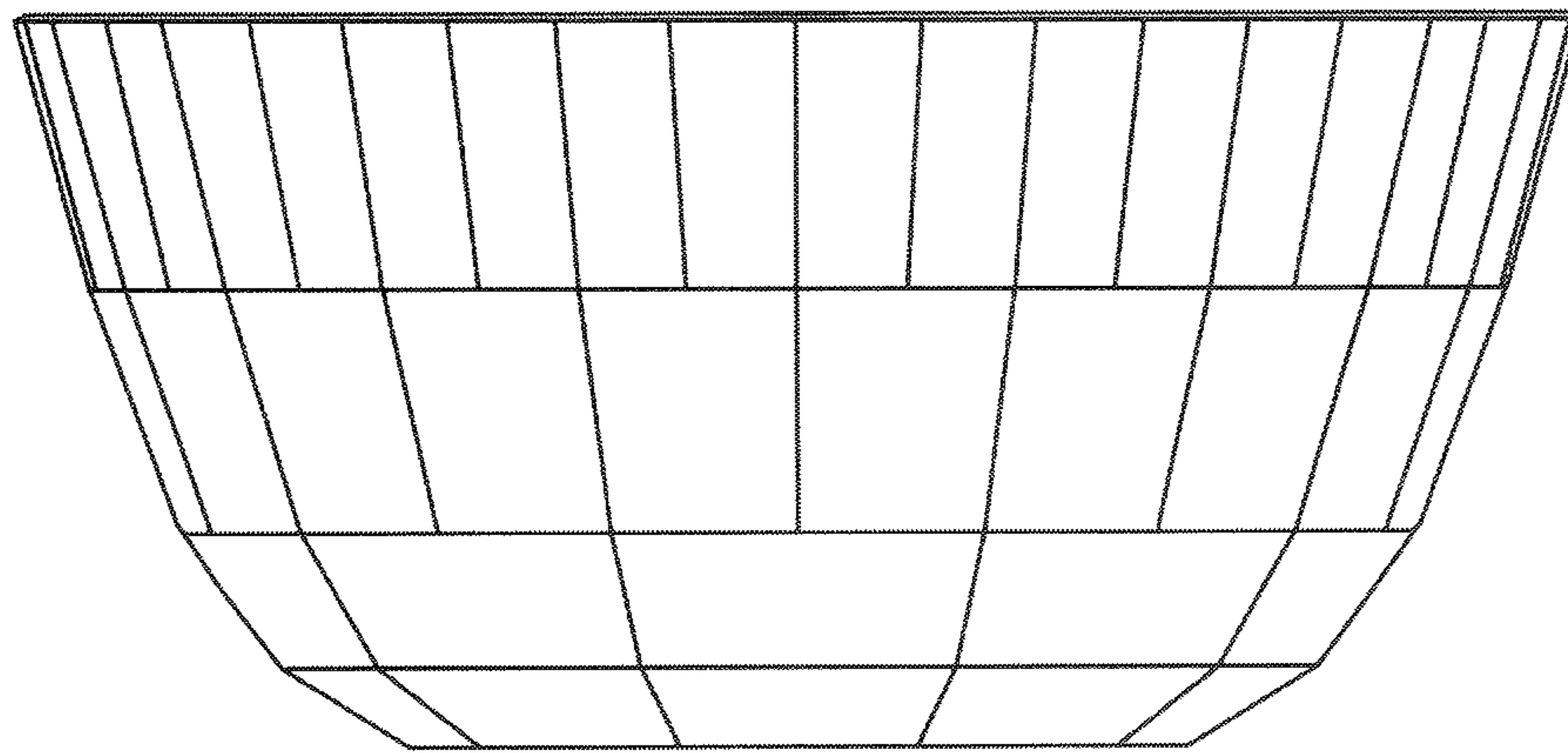


FIG. 3

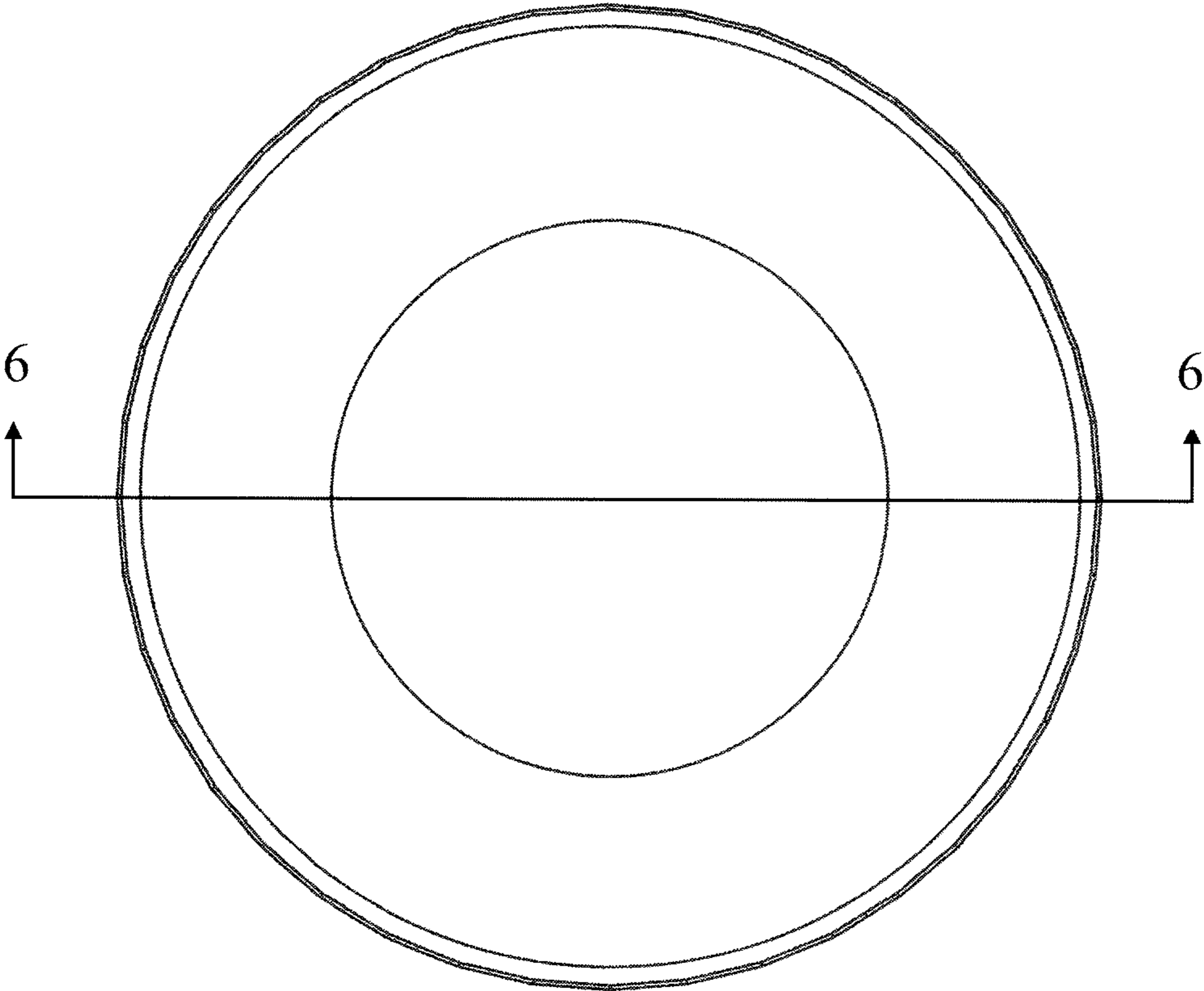
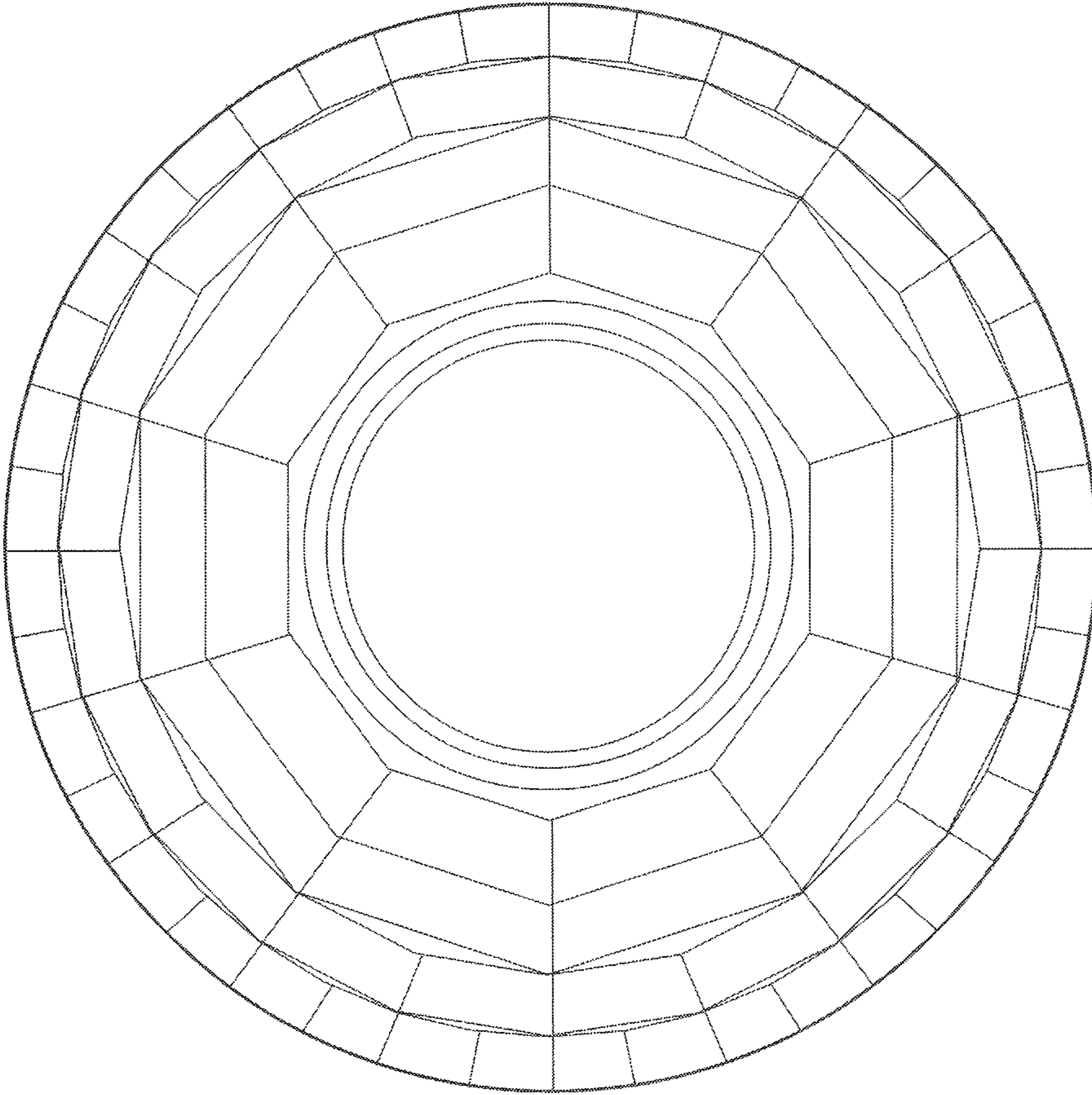


FIG. 4



FIG. 5



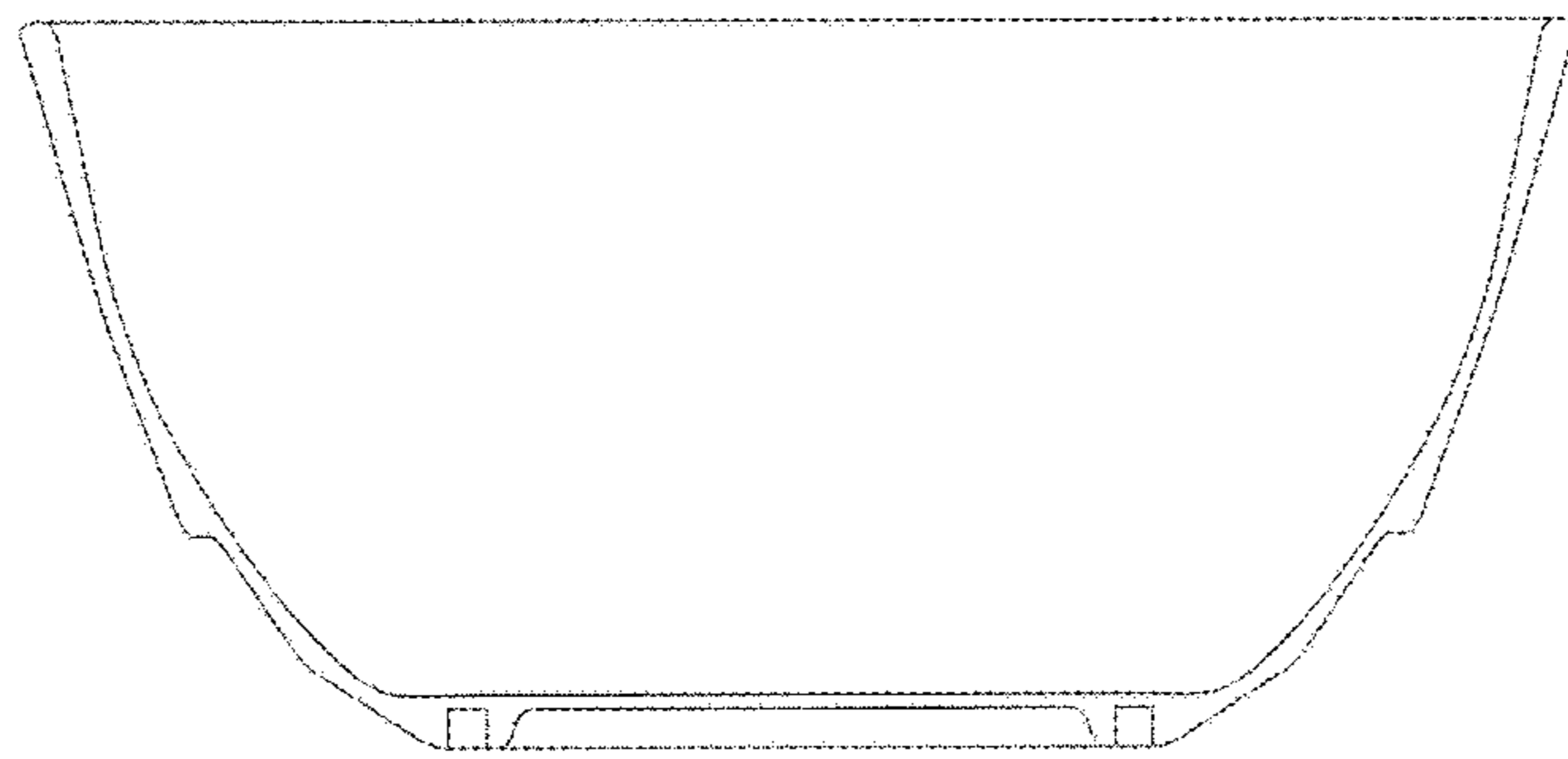


FIG. 6