



US00D783364S

(12) **United States Design Patent**  
**Habraken**

(10) **Patent No.:** **US D783,364 S**  
(45) **Date of Patent:** **\*\* Apr. 11, 2017**

- (54) **STACKABLE WINE GLASS**
- (71) Applicant: **Kikkerland Design, Inc.**, New York, NY (US)
- (72) Inventor: **Jan Habraken**, New York, NY (US)
- (73) Assignee: **Kikkerland Design, Inc.**, New York, NY (US)
- (\*\*) Term: **14 Years**
- (21) Appl. No.: **29/525,876**
- (22) Filed: **May 4, 2015**
- (51) **LOC (10) Cl.** ..... **07-01**
- (52) **U.S. Cl.**  
USPC ..... **D7/537; D7/525; D7/527; D7/528; D7/524**
- (58) **Field of Classification Search**  
USPC ..... D7/507, 509, 523, 524, 525, 526, 527, D7/528, 530, 53, 532, 533, 536, 537, 503, D7/510, 514, 515; 220/592.16, 502.17, 220/495.03; D3/202; D30/130, 121; 206/307, 217, 509  
CPC ..... A47G 19/22; A47G 19/2205; A47G 19/2227; A45F 3/20; B65D 1/265  
See application file for complete search history.

(56) **References Cited**

**U.S. PATENT DOCUMENTS**

- 83,341 A \* 10/1868 Towndrow ..... A47G 19/2255 215/377
- D6,975 S \* 11/1873 Hobbs ..... D7/527
- D9,848 S \* 3/1877 Barker ..... D7/507
- D41,237 S \* 3/1911 Ebeling ..... D7/527
- D46,322 S \* 8/1914 Sanford ..... D7/527
- D79,516 S \* 10/1929 Gunthel ..... D7/527

- 2,169,426 A \* 8/1939 Morton ..... A47G 19/2255 215/12.1
- D125,291 S \* 2/1941 Sakier ..... D7/525
- 2,541,581 A \* 2/1951 Gruber ..... A47G 19/2205 215/374
- 3,089,605 A \* 5/1963 Buonauro ..... A47G 19/2255 215/377

(Continued)

*Primary Examiner* — Marianne Pandozzi

*Assistant Examiner* — Jae Liang

(74) *Attorney, Agent, or Firm* — Charles H Jew

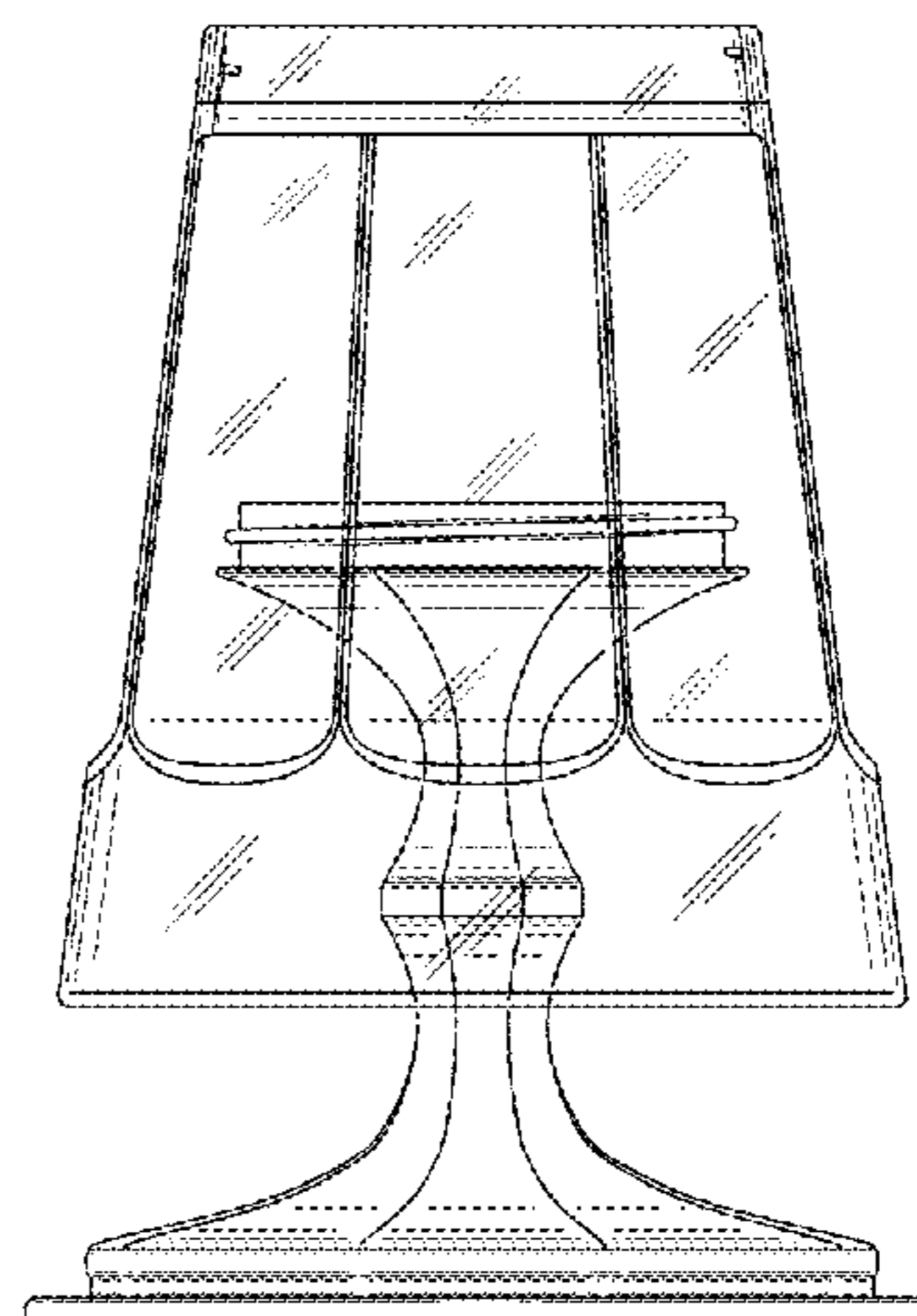
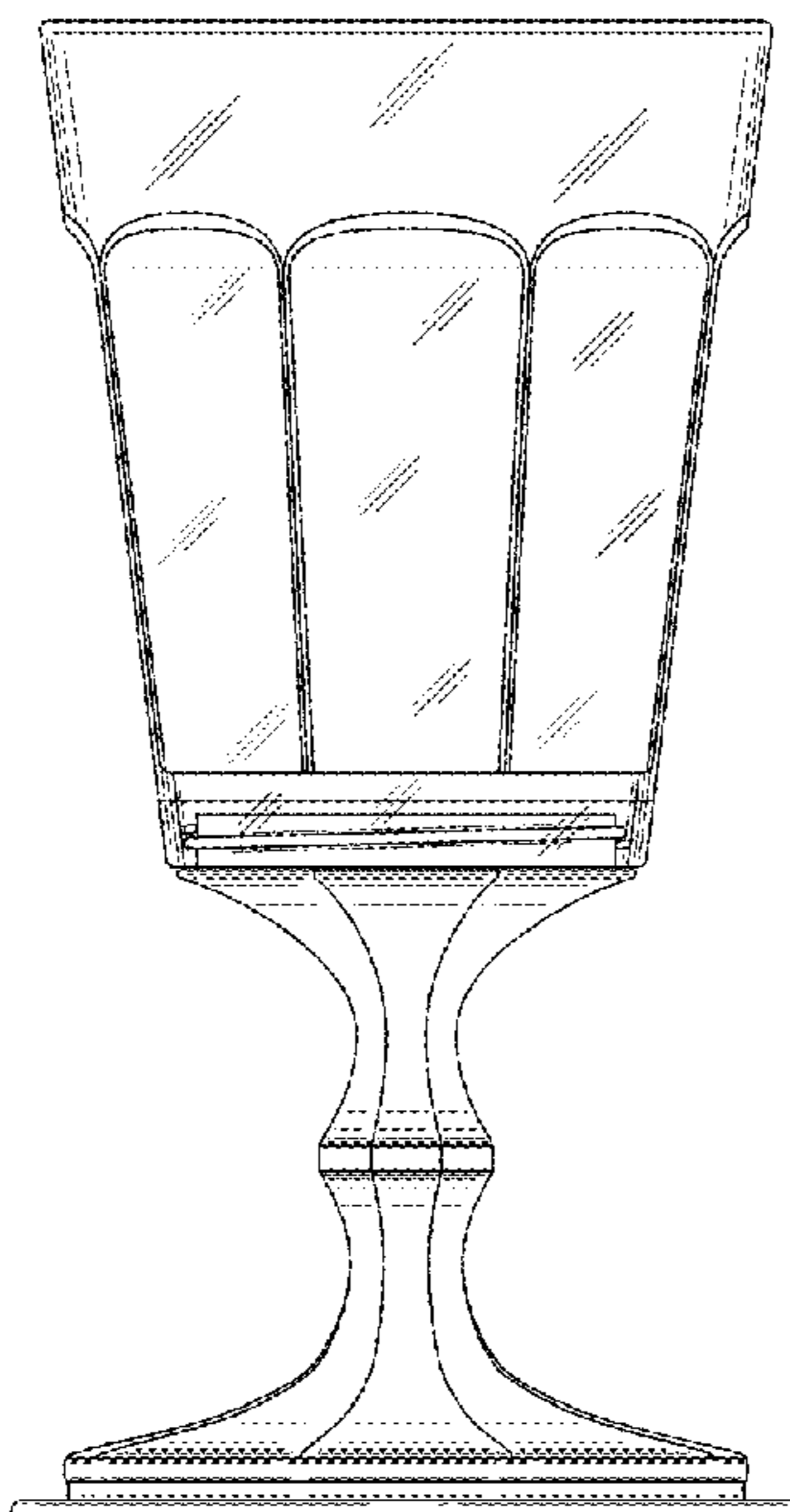
(57) **CLAIM**

The ornamental design for a stackable wine glass, as shown and described.

**DESCRIPTION**

FIG. 1 is a front view of the stackable wine glass showing my design;  
 FIG. 2 is a rear view thereof;  
 FIG. 3 is a left side view thereof;  
 FIG. 4 is a right side view thereof;  
 FIG. 5 is a front view thereof with the stem detached from the bowl of the wine glass;  
 FIG. 6 is a front view thereof with the bowl inverted and partially inserted over the stem;  
 FIG. 7 is a front view thereof with the bowl inverted and inserted over the stem with the rim of the bowl secured to the foot of the stem to form a stackable wine glass in a stored configuration;  
 FIG. 8 is a front view showing two wine glasses that are each in the stored configuration and that are stacked together;  
 FIG. 9 is a top plan view of the stackable wine glass;  
 FIG. 10 is a bottom plan view thereof; and,  
 FIG. 11 is a top front perspective view thereof.  
 The broken lines in the drawing depict environmental subject matter only and form no part of the claimed design.

**1 Claim, 3 Drawing Sheets**



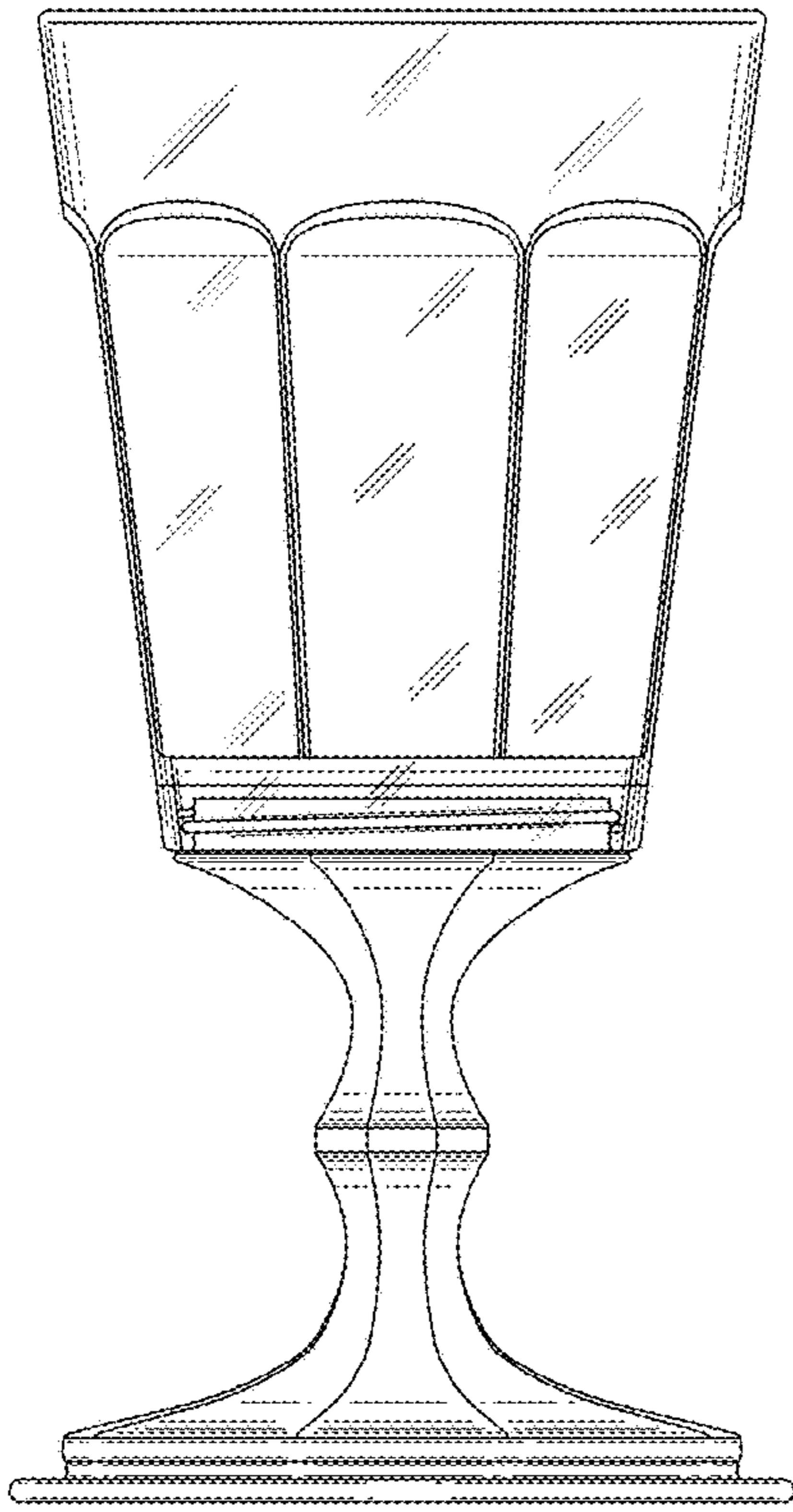
(56)

References Cited

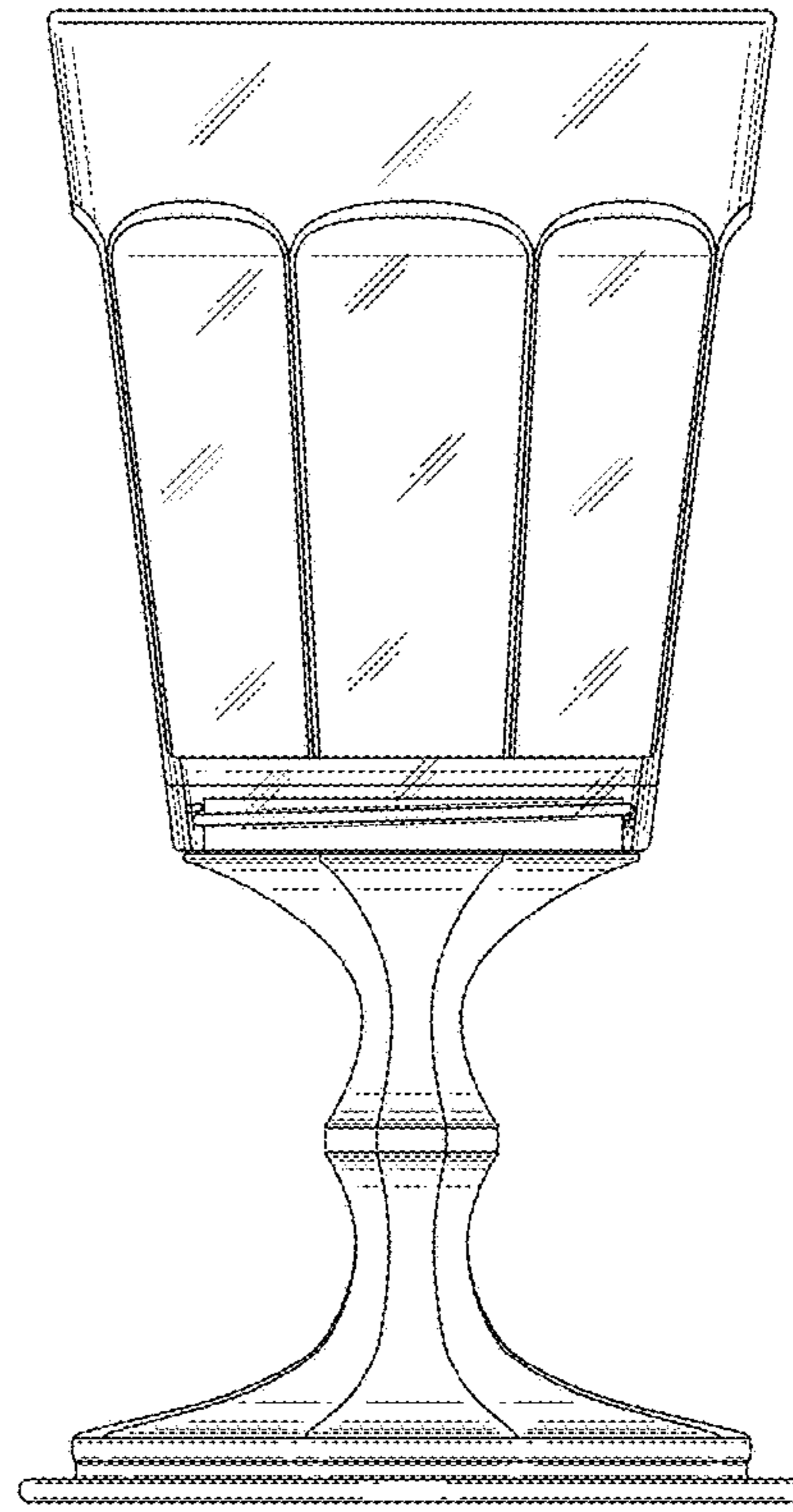
U.S. PATENT DOCUMENTS

3,526,335 A \* 9/1970 Swett ..... A47G 19/2255  
215/10  
D238,541 S \* 1/1976 Benes ..... D7/530  
D261,211 S \* 10/1981 Durand ..... D7/526  
D284,923 S \* 8/1986 Ritman ..... D7/531  
D286,243 S \* 10/1986 Blake ..... D7/527  
D296,639 S \* 7/1988 Durand ..... D7/527  
D358,080 S \* 5/1995 Handler ..... D7/507  
D370,389 S \* 6/1996 Wilson ..... D7/523  
D380,647 S \* 7/1997 Durand ..... D7/523  
D428,307 S \* 7/2000 Yeandel ..... D7/523  
D452,797 S \* 1/2002 Palefsky ..... D7/510  
D461,684 S \* 8/2002 Wilson ..... D7/523  
6,662,959 B1 \* 12/2003 Westerhold ..... A47G 19/2255  
215/377  
D541,590 S \* 5/2007 Wasserman ..... D7/523  
D557,561 S \* 12/2007 Flowers ..... D7/509  
D586,181 S \* 2/2009 Pola ..... D7/507  
7,861,888 B2 \* 1/2011 Niedzwiecki ..... A47G 19/2255  
206/499  
D680,376 S \* 4/2013 Romley ..... D7/524  
8,684,223 B1 \* 4/2014 Kalamaras ..... A47G 19/2288  
215/12.1  
8,807,340 B2 \* 8/2014 Zimmer ..... A47G 19/2205  
206/509  
8,829,824 B2 \* 9/2014 Scott ..... A47G 19/2255  
315/377  
9,227,772 B2 \* 1/2016 Perrulli ..... B65D 1/0276  
9,232,868 B2 \* 1/2016 Schiavone ..... A47G 19/2205  
9,420,906 B2 \* 8/2016 Fishbone ..... A47G 19/2205  
2013/0334166 A1 \* 12/2013 Garipalli ..... A47G 19/2205  
215/377

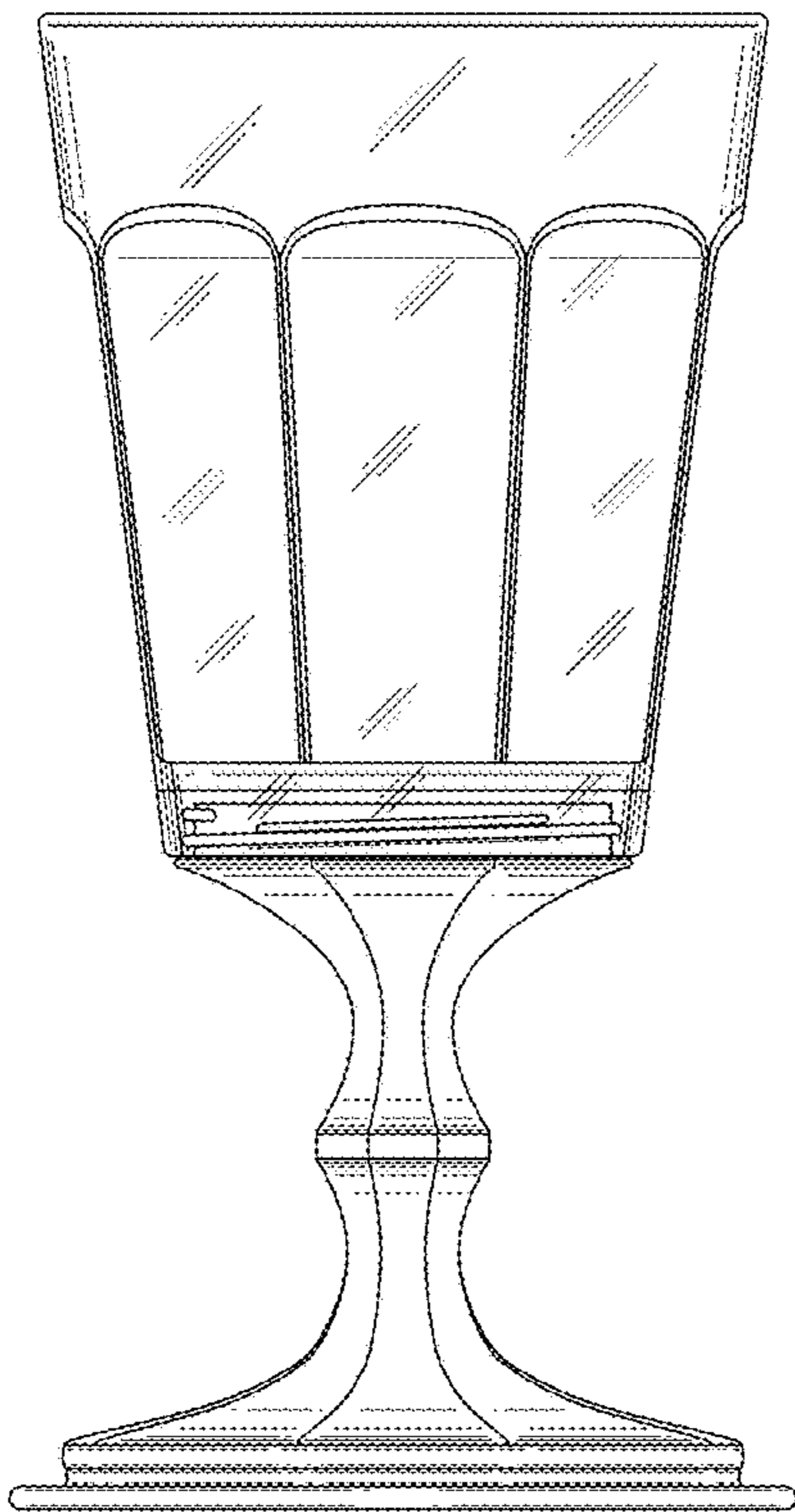
\* cited by examiner



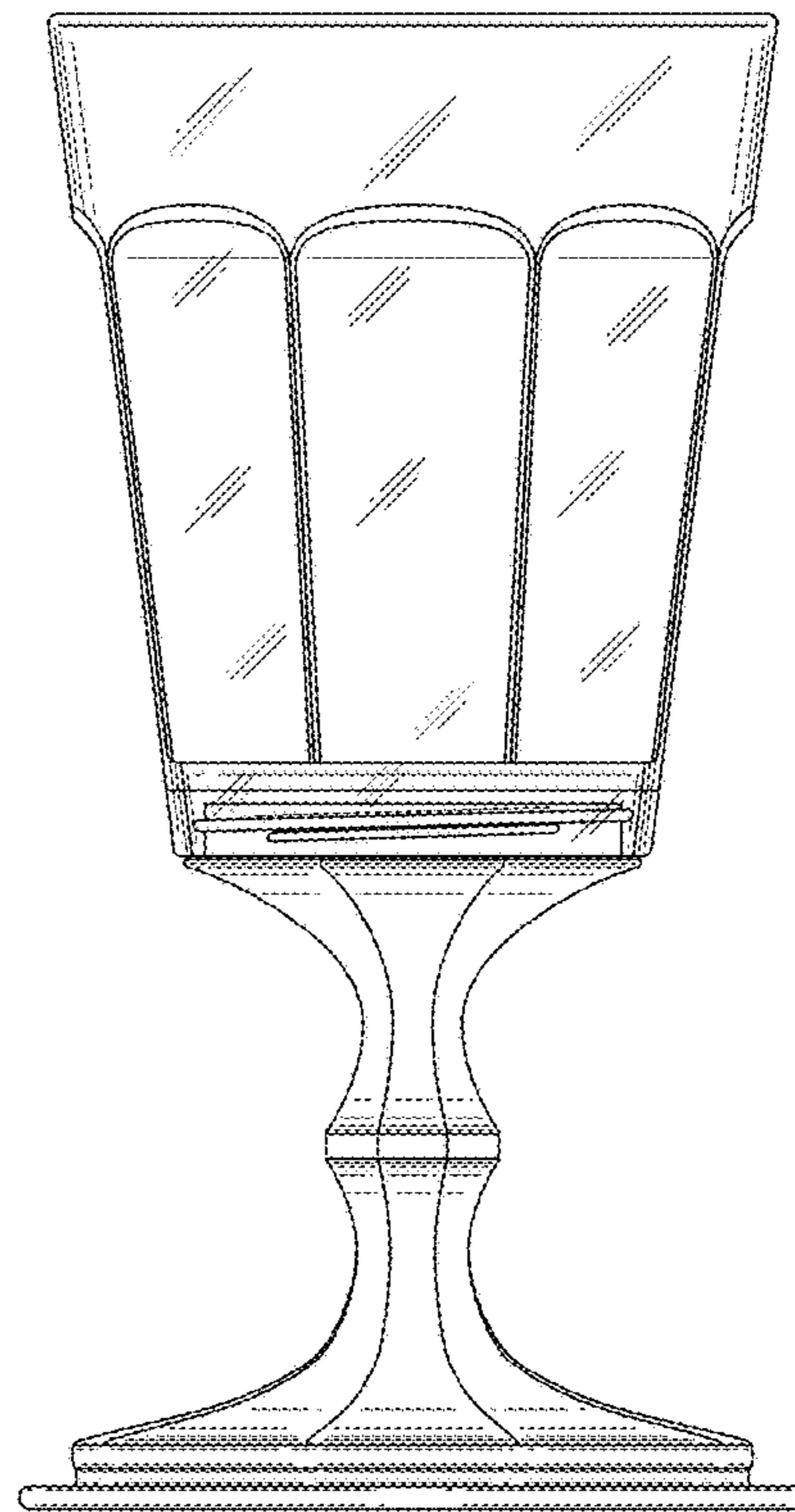
**FIG. 1**



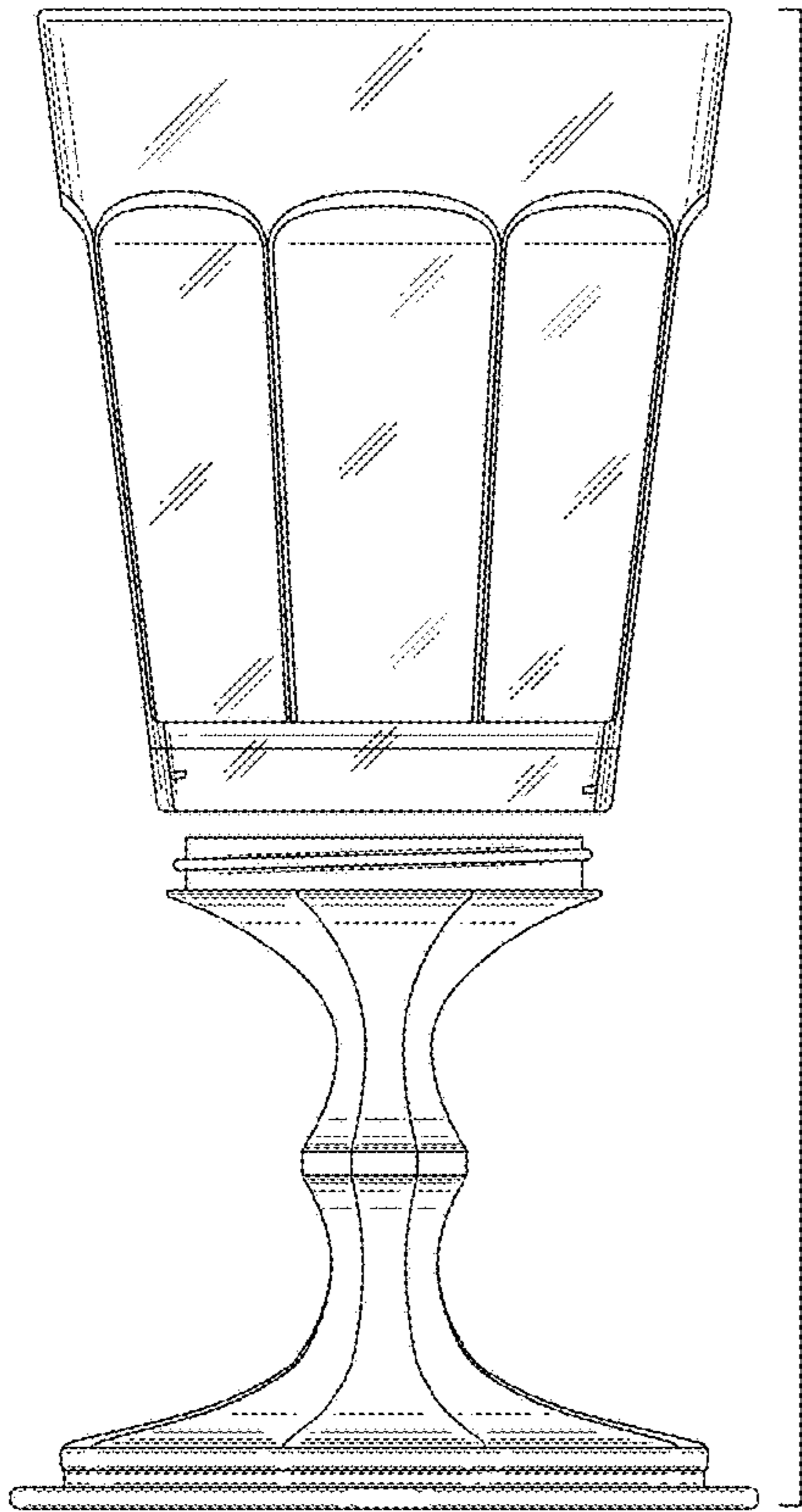
**FIG. 2**



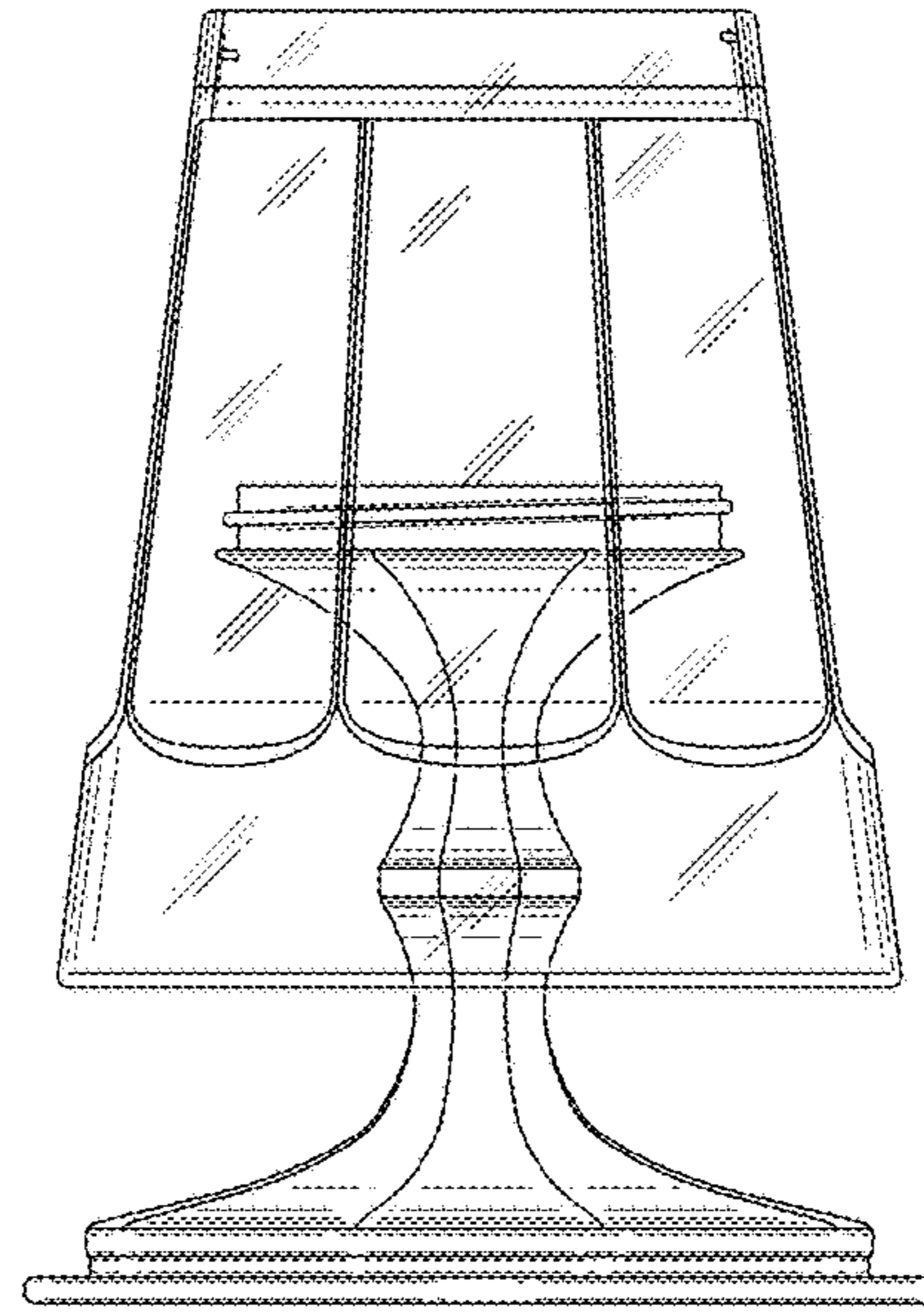
**FIG. 3**



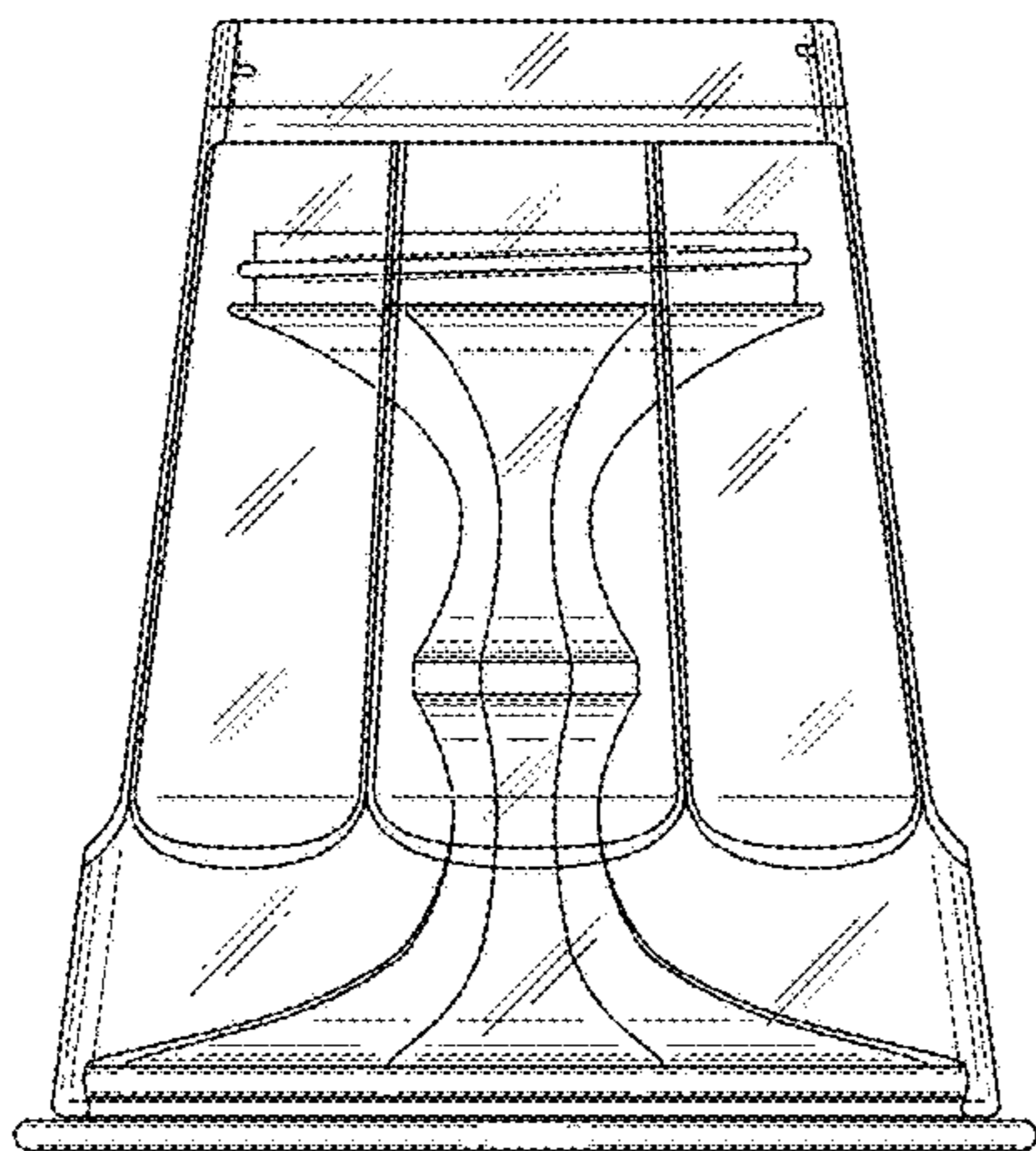
**FIG. 4**



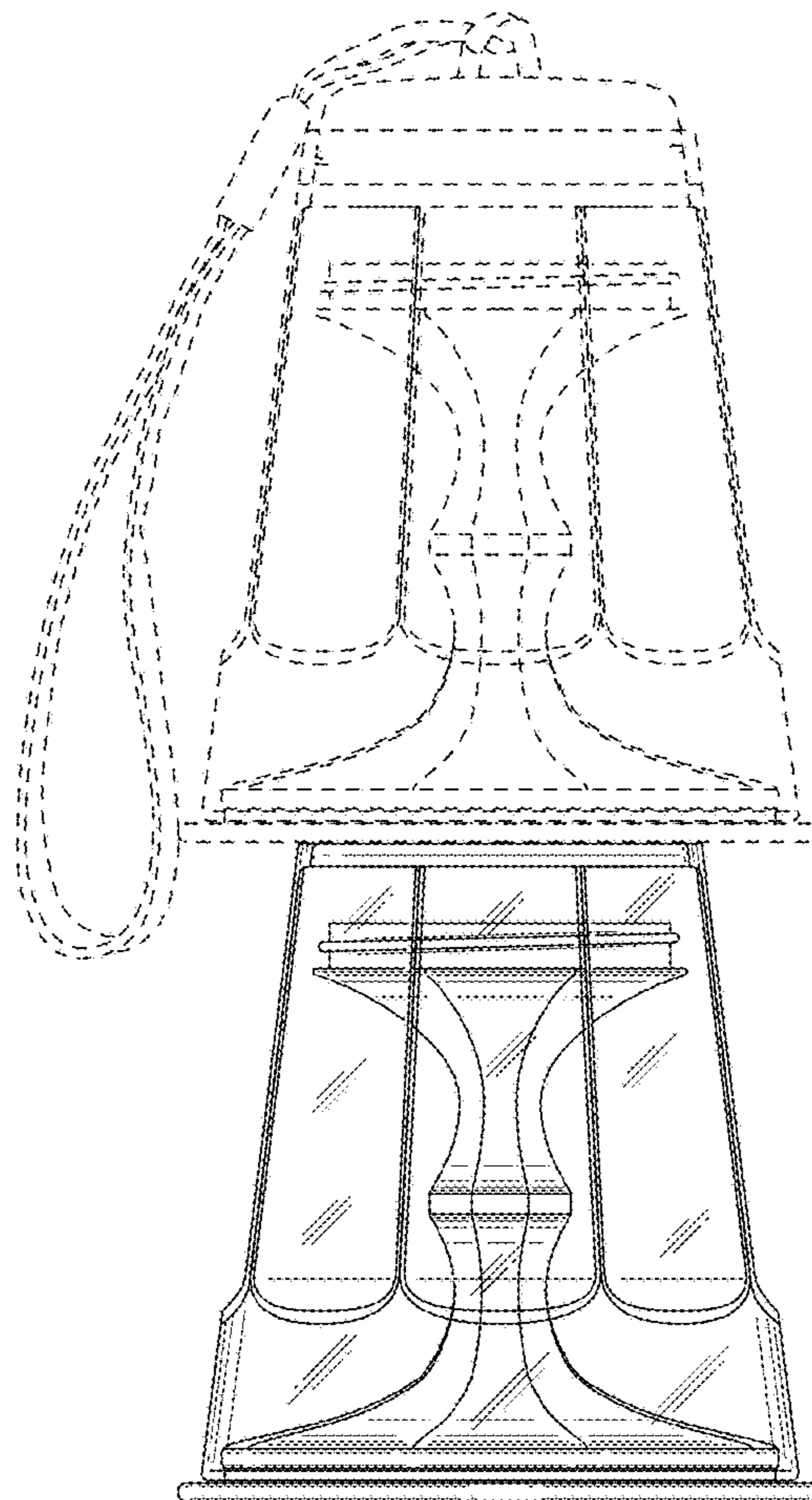
**FIG. 5**



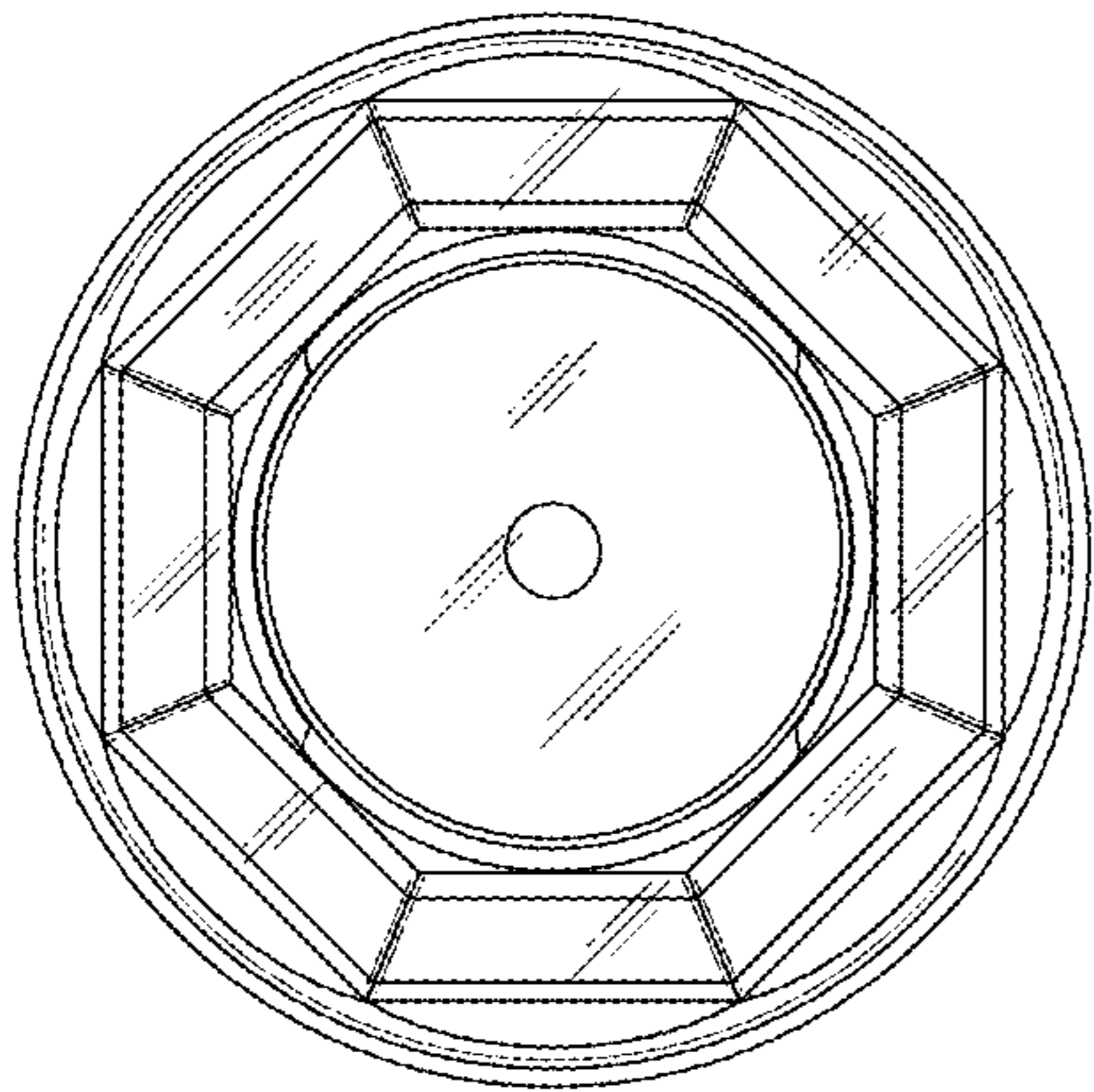
**FIG. 6**



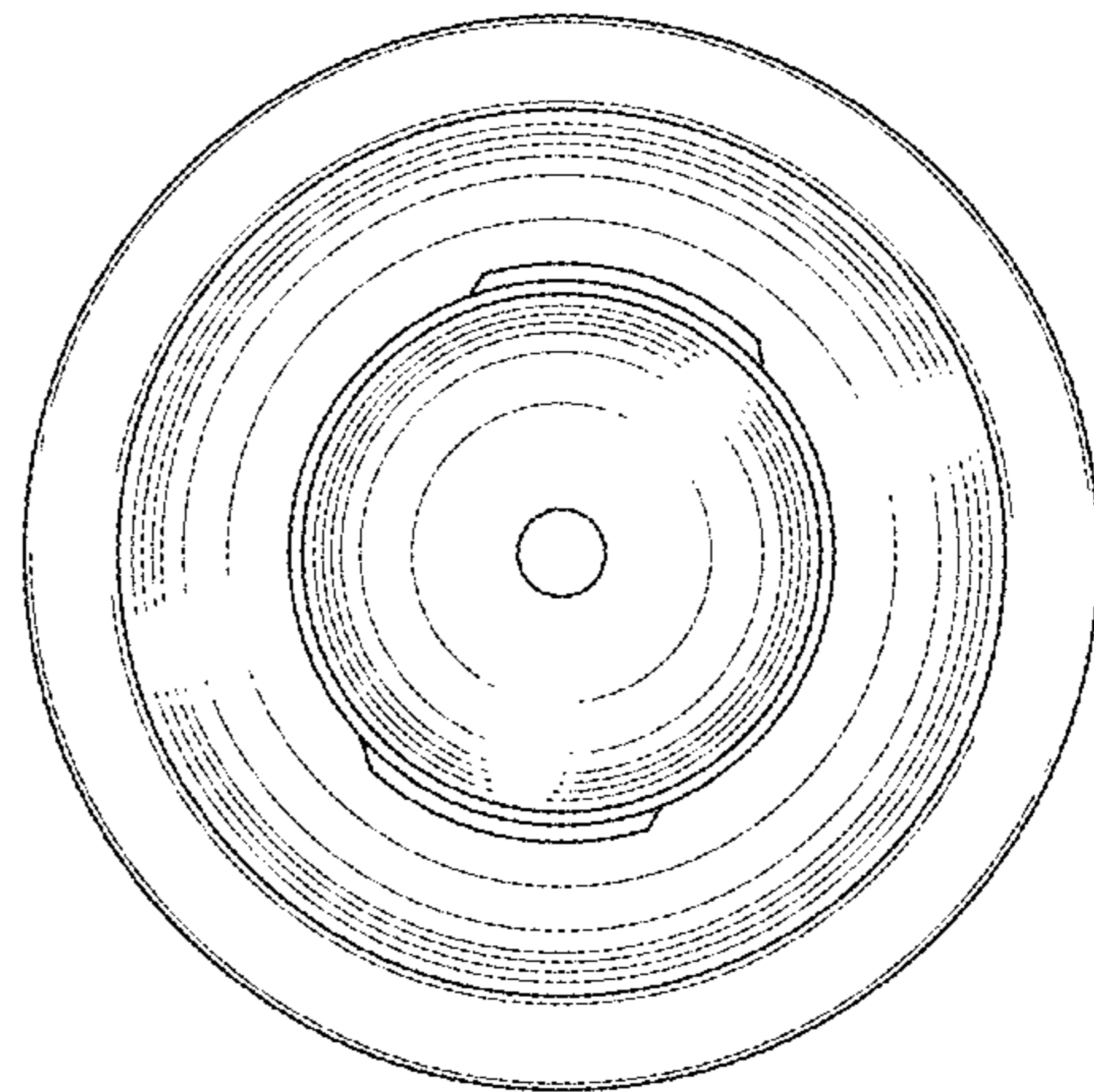
**FIG. 7**



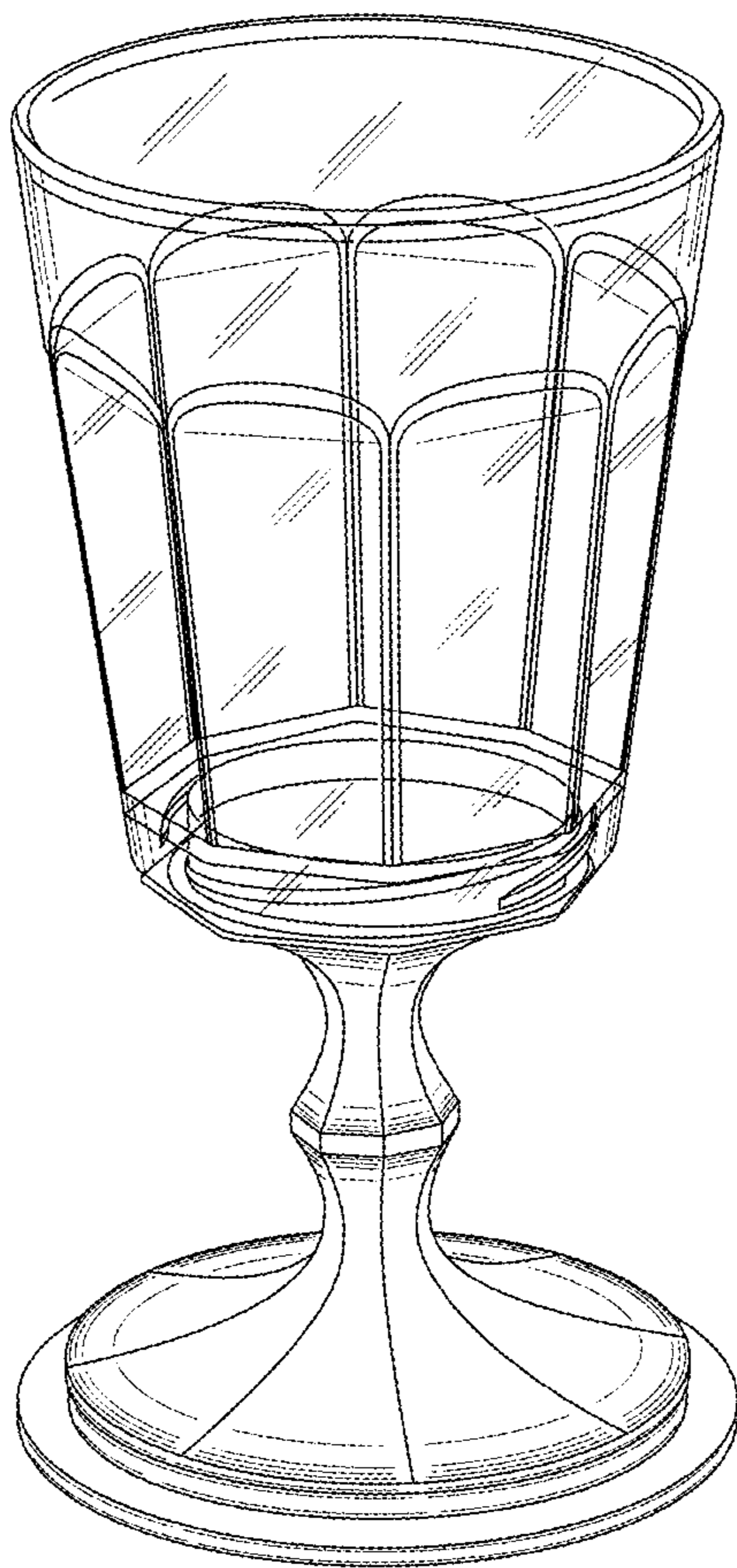
**FIG. 8**



**FIG. 9**



**FIG. 10**



**FIG. 11**