



US00D783362S

(12) **United States Design Patent** (10) **Patent No.:** **US D783,362 S**  
**Pellham** (45) **Date of Patent:** **\*\* Apr. 11, 2017**

(54) **WATERMELON CUP**  
(71) Applicant: **Brian Pellham**, Seattle, WA (US)  
(72) Inventor: **Brian Pellham**, Seattle, WA (US)  
(73) Assignee: **Kheper Games, Inc.**, Seattle, WA (US)  
(\*\*) Term: **15 Years**

D505,832 S \* 6/2005 Rosow ..... D7/507  
D509,992 S \* 9/2005 Lipson ..... D7/510  
D592,971 S \* 5/2009 Lo ..... D9/451  
D604,112 S \* 11/2009 Braidotti ..... D7/628  
D618,962 S \* 7/2010 Liming ..... D7/396.2  
D672,206 S \* 12/2012 Piacenza ..... D7/628  
D721,542 S \* 1/2015 Liming ..... D7/523  
D743,743 S \* 11/2015 Sanbar ..... D7/510  
D743,744 S \* 11/2015 Sanbar ..... D7/510  
D763,699 S \* 8/2016 Rasgon ..... D9/556  
D768,440 S \* 10/2016 Pickering ..... D7/515

(21) Appl. No.: **29/559,430**  
(22) Filed: **Mar. 28, 2016**  
(51) **LOC (10) Cl.** ..... **07-01**  
(52) **U.S. Cl.**  
USPC ..... **D7/518; D7/521**  
(58) **Field of Classification Search**  
USPC ..... D7/514, 515, 516, 517, 519, 520, 536,  
D7/513, 300.2, 518, 521, 510, 507, 531;  
D9/607, 611, 624, 645, 680; 220/700;  
D30/129  
CPC ..... A47G 19/2227; A47G 21/145; A47G  
23/0208; A45D 27/14  
See application file for complete search history.

\* cited by examiner

*Primary Examiner* — Marianne Pandozzi  
(74) *Attorney, Agent, or Firm* — Victor N. King

(56) **References Cited**  
U.S. PATENT DOCUMENTS  
D200,054 S \* 1/1965 Swartz ..... D7/507  
D249,867 S \* 10/1978 Reich ..... D9/645  
D258,337 S \* 2/1981 Sarpaneva ..... D7/531  
D281,847 S \* 12/1985 Laslo ..... D7/518  
D372,167 S \* 7/1996 Ahern, Jr. .... D7/523  
5,806,765 A \* 9/1998 Weinstein ..... A47G 21/18  
215/388  
D419,827 S \* 2/2000 Michaeli ..... D7/511  
D480,270 S \* 10/2003 Hou ..... D7/523

(57) **CLAIM**

The ornamental design for a watermelon cup, substantially as shown and described.

**DESCRIPTION**

FIG. 1 is a front perspective view of a watermelon cup, showing my new design;  
FIG. 2 is a front view thereof;  
FIG. 3 is a rear view thereof;  
FIG. 4 is a first side view thereof;  
FIG. 5 is a second side view thereof;  
FIG. 6 is a top plan view thereof; and,  
FIG. 7 is a bottom plan view thereof.  
The broken lines in the drawing depict environmental subject matter only and form no part of the claimed design.

**1 Claim, 3 Drawing Sheets**

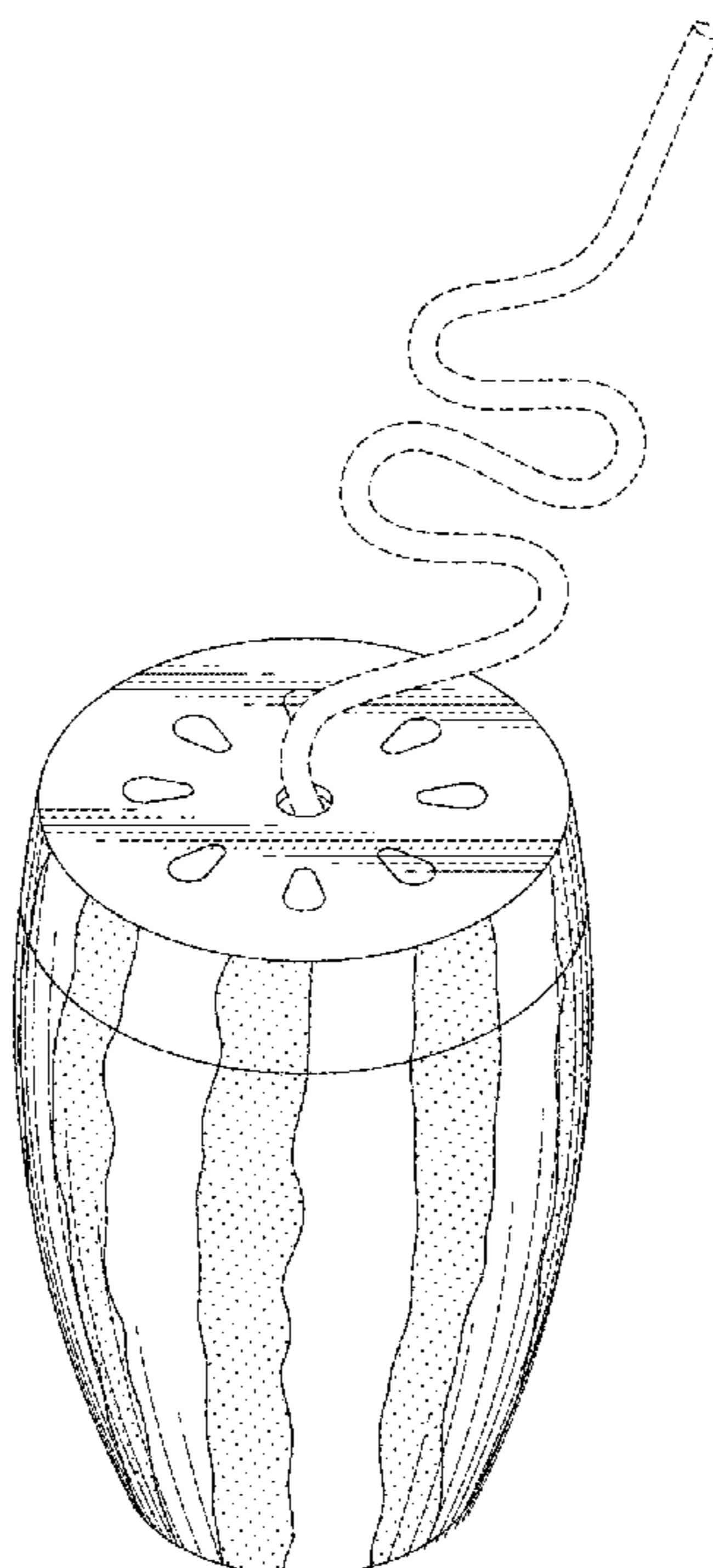


FIG. 1

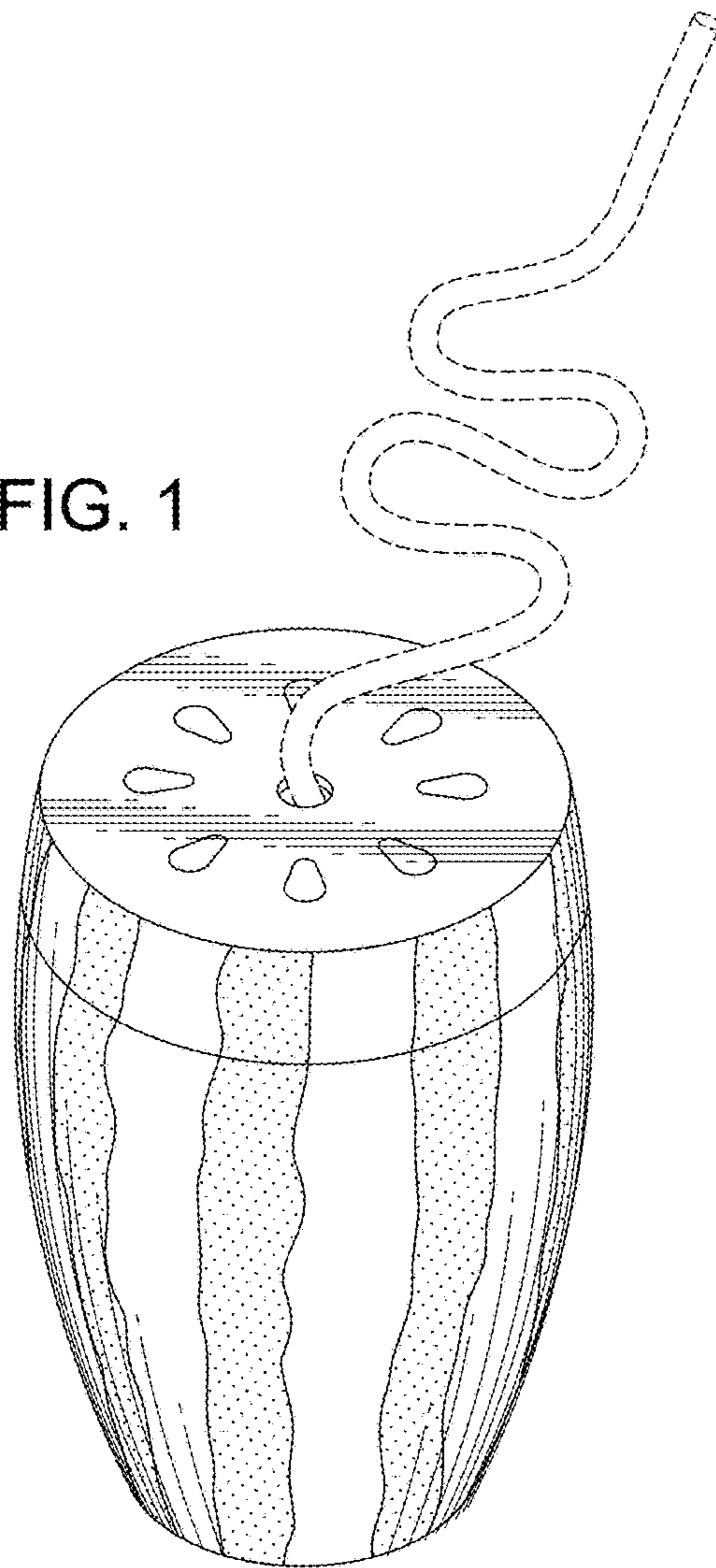


FIG. 6

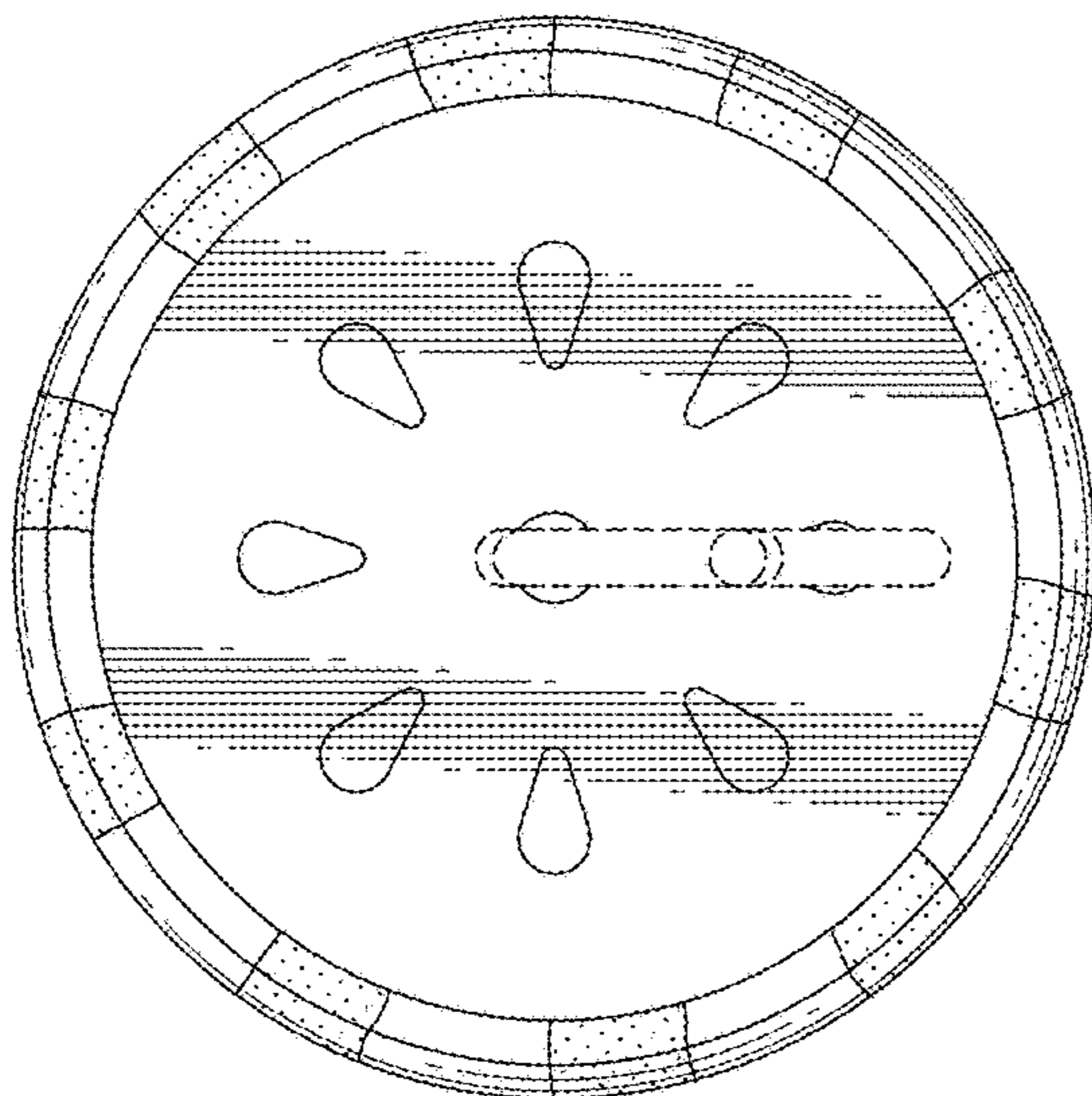


FIG. 7

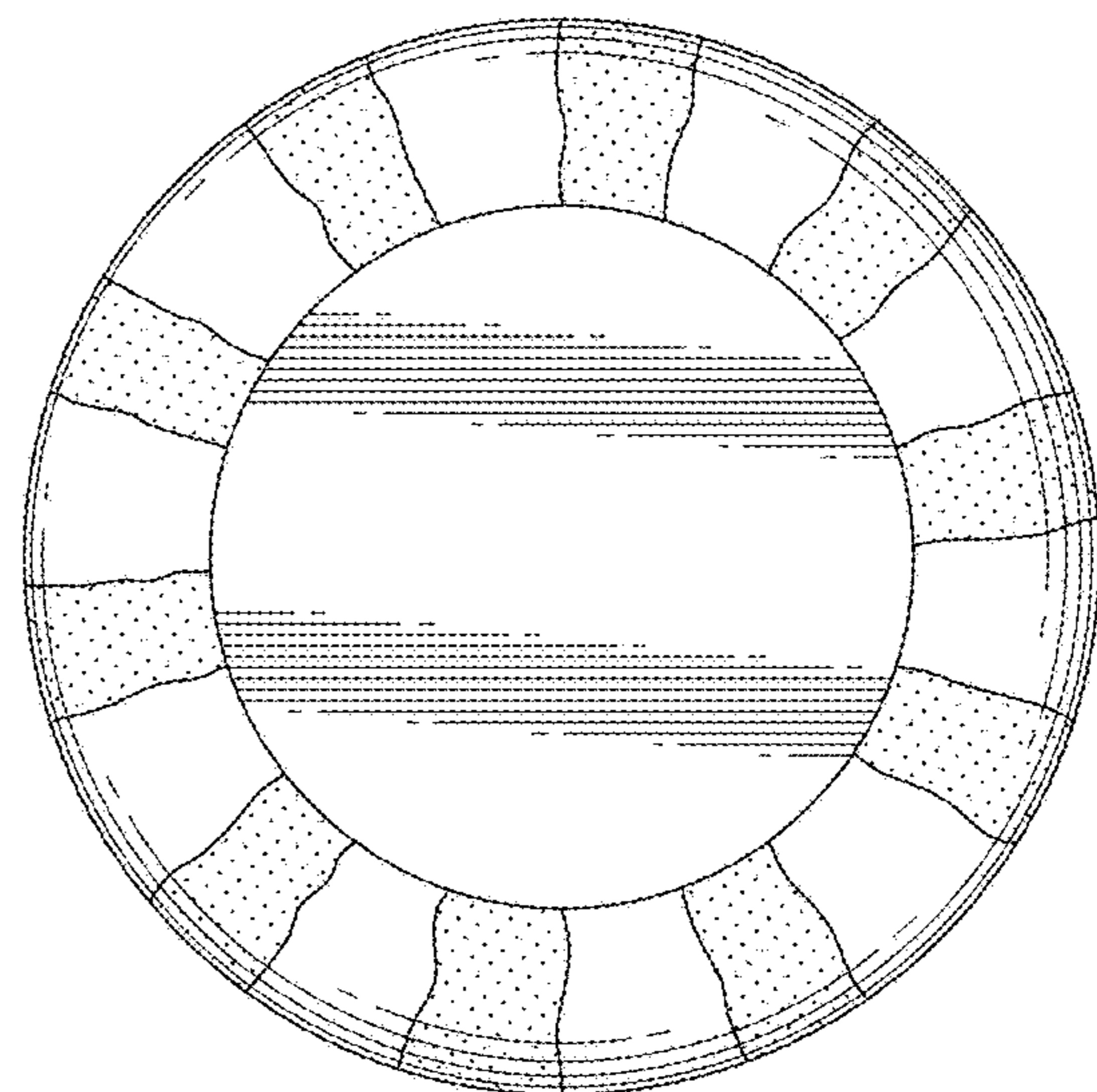


FIG. 2

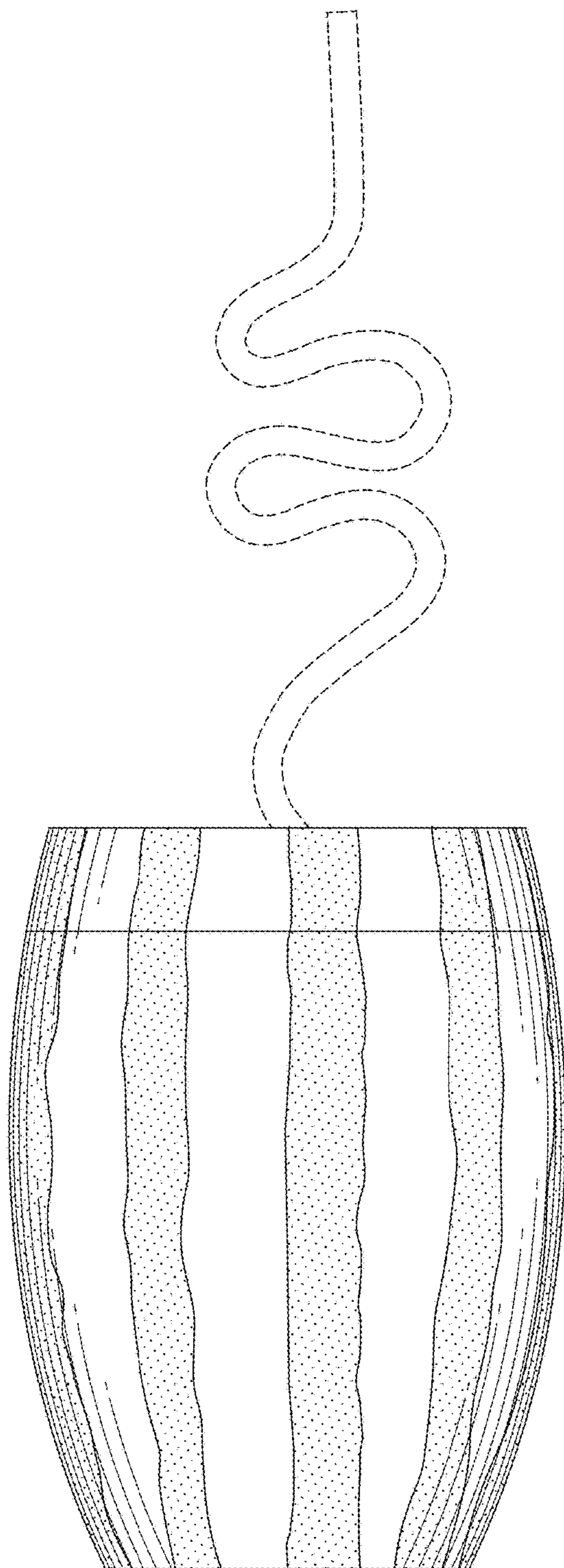


FIG. 3

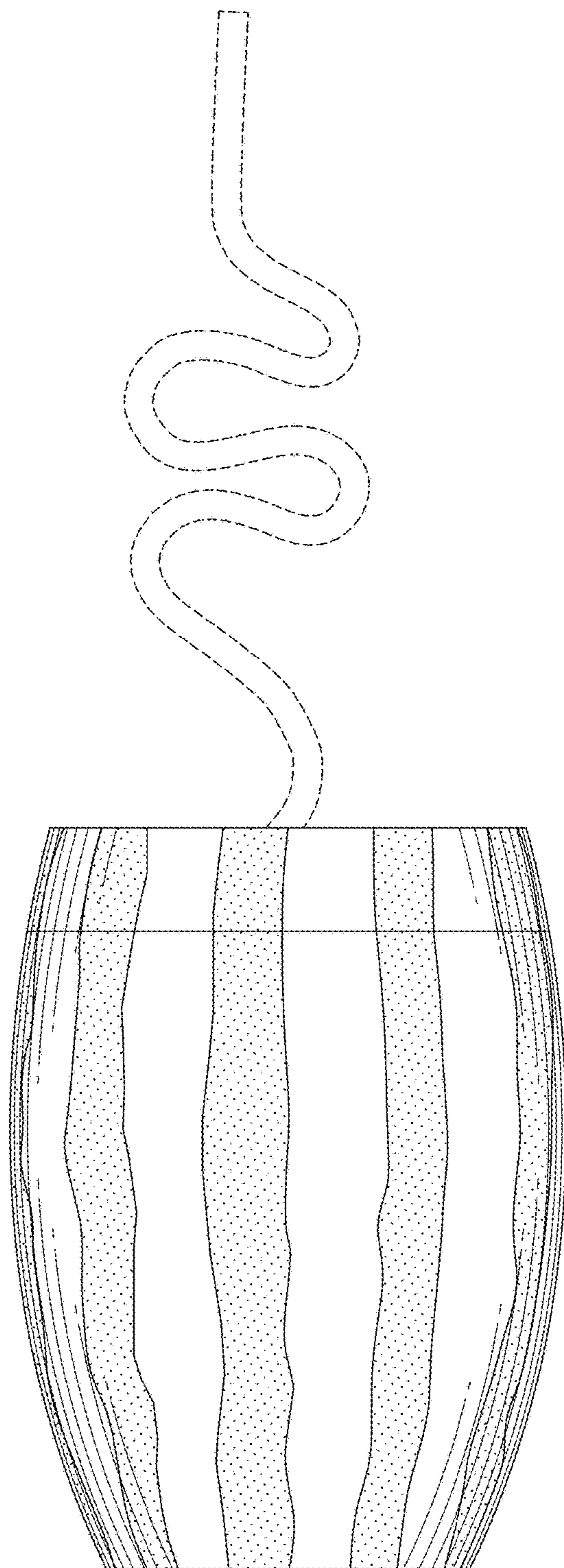


FIG. 4

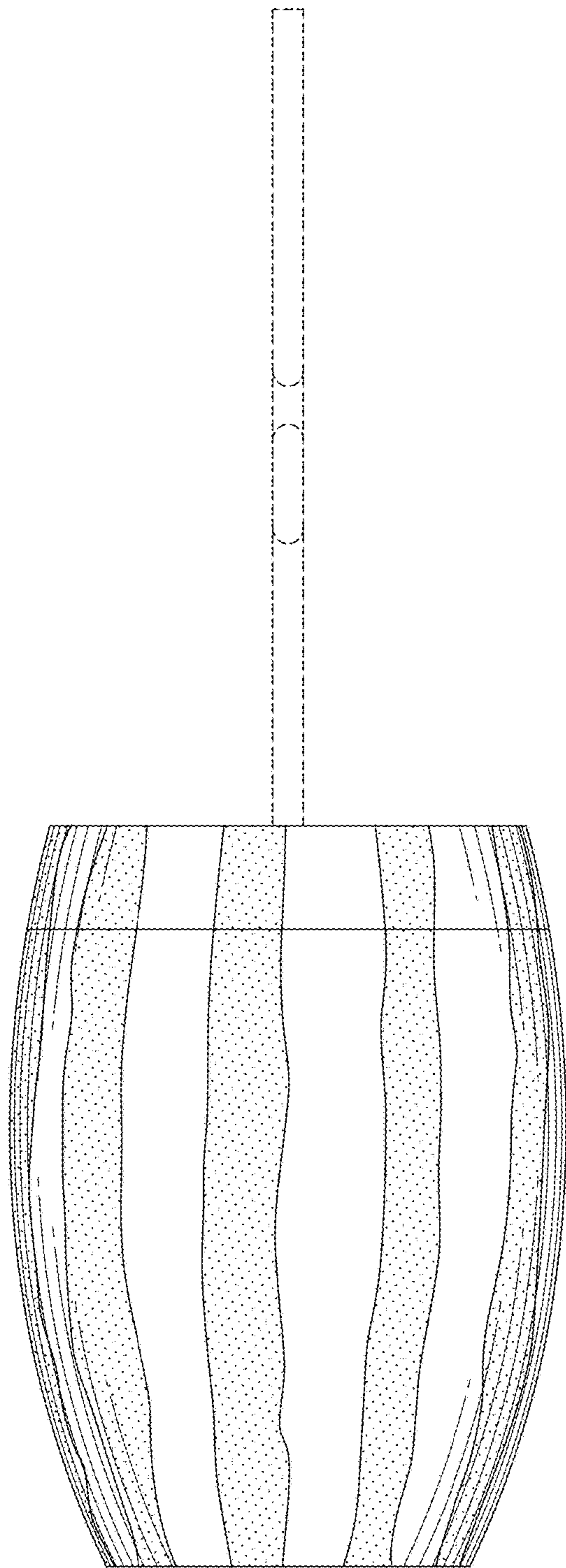


FIG. 5

