



US00D783361S

(12) **United States Design Patent**
Pellham

(10) **Patent No.:** **US D783,361 S**

(45) **Date of Patent:** **** Apr. 11, 2017**

- (54) **TNT CUP**
- (71) Applicant: **Brian Pellham**, Seattle, WA (US)
- (72) Inventor: **Brian Pellham**, Seattle, WA (US)
- (73) Assignee: **Kheper Games, Inc.**, Seattle, WA (US)
- (**) Term: **15 Years**
- (21) Appl. No.: **29/559,432**
- (22) Filed: **Mar. 28, 2016**
- (51) **LOC (10) Cl.** **07-01**
- (52) **U.S. Cl.**
USPC **D7/513; D7/515**
- (58) **Field of Classification Search**
USPC D7/514, 515, 516, 517, 519, 520, 536,
D7/513, 300.2, 518, 521, 510, 507, 531;
D9/607, 611, 624, 645, 680; 220/700;
D30/129
CPC A47G 19/2227; A47G 21/145; A47G
23/0208; A45D 27/14
See application file for complete search history.

D369,275 S *	4/1996	Anton	D7/510
D371,489 S *	7/1996	Deltoro	D3/229
D392,325 S *	3/1998	Cheris	D19/77
D395,790 S *	7/1998	Gaines	D7/510
D400,402 S *	11/1998	Petkovich, Jr.	D7/505
D439,802 S *	4/2001	Colmore	D7/511
D541,165 S *	4/2007	Rashid	D27/190
D554,305 S *	10/2007	Pietruska	D30/161
D556,510 S *	12/2007	Meuser	D7/513
D607,257 S *	1/2010	Wilkins	D7/300.2
D641,484 S *	7/2011	Jenkins	D24/197
D680,375 S *	4/2013	Pousard	D7/513
D718,969 S *	12/2014	Hylton	D7/300.2
D746,104 S *	12/2015	Wilson	D24/198
D760,543 S *	7/2016	Lue	D7/507
2010/0314464 A1 *	12/2010	Markley	A47G 19/2266 239/33

* cited by examiner

Primary Examiner — Marianne Pandozzi

(74) *Attorney, Agent, or Firm* — Victor N. King

(57) **CLAIM**

The ornamental design for a TNT cup, substantially as shown and described.

DESCRIPTION

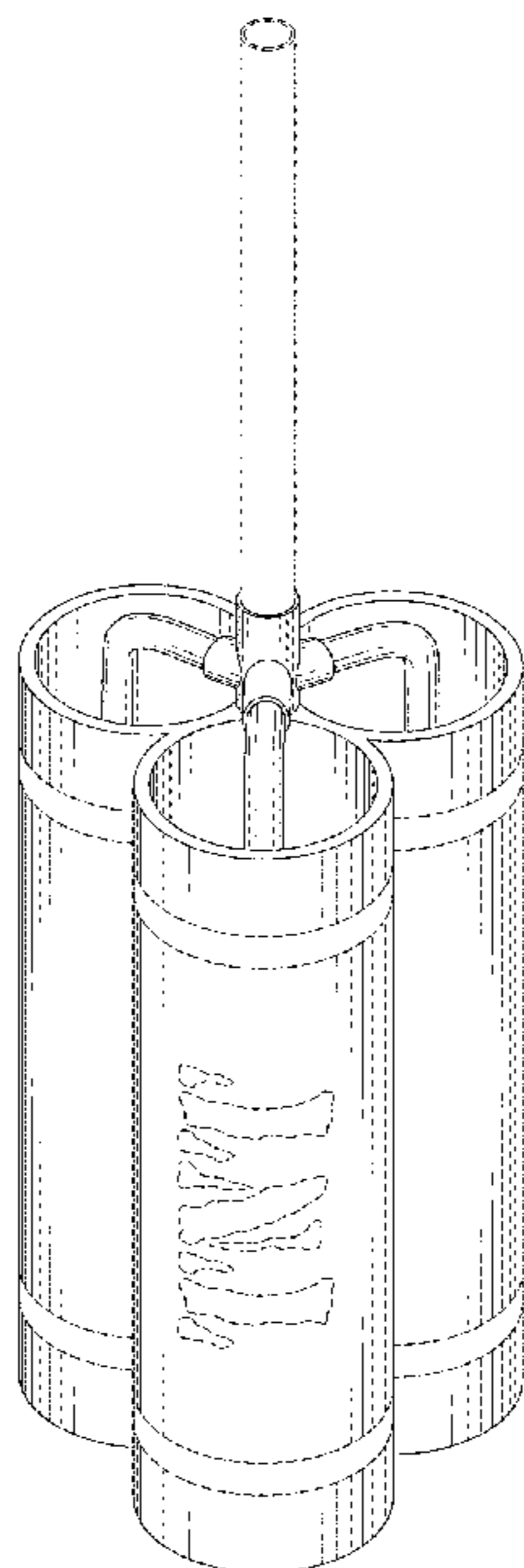
FIG. 1 is a front perspective view of a TNT cup, showing my new design;
 FIG. 2 is a front view thereof;
 FIG. 3 is a rear view thereof;
 FIG. 4 is a first side view thereof;
 FIG. 5 is a second side view thereof;
 FIG. 6 is a top plan view thereof; and,
 FIG. 7 is a bottom plan view thereof.
 The broken lines in the drawing depict environmental subject matter only and form no part of the claimed design.

1 Claim, 3 Drawing Sheets

(56) **References Cited**

U.S. PATENT DOCUMENTS

1,496,989 A *	6/1924	Kideney	A45D 27/14 16/425
2,892,540 A *	6/1959	Tupper	B65D 77/04 206/427
3,693,830 A *	9/1972	Oglesbee	A47G 23/0208 206/162
D251,104 S *	2/1979	Sanchez	D7/513
D292,157 S *	10/1987	Robinson	D7/505
D303,601 S *	9/1989	Silveira	D7/300.2
D350,049 S *	8/1994	Johnson	D7/619.1
D362,158 S *	9/1995	Smith	D7/629



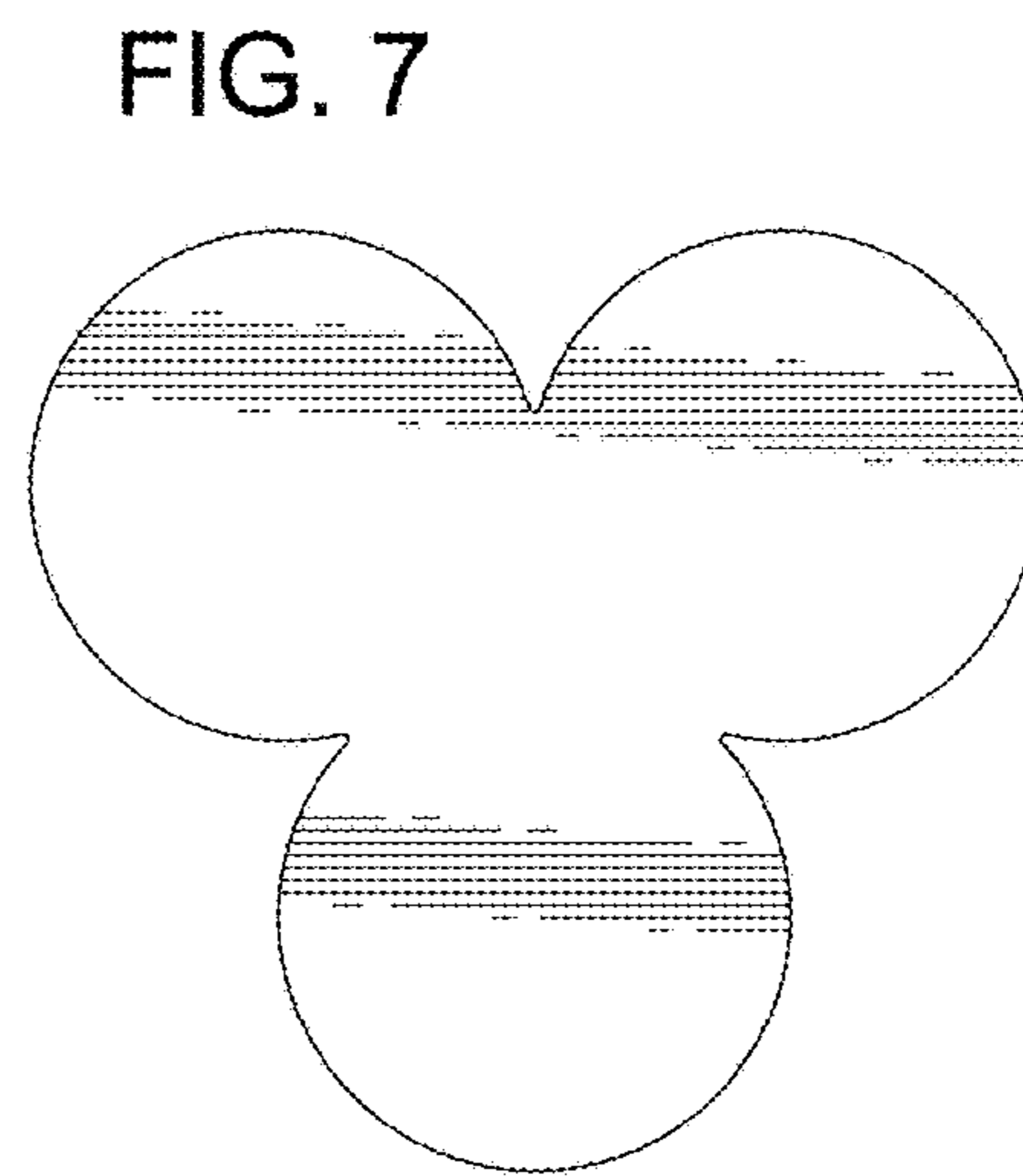
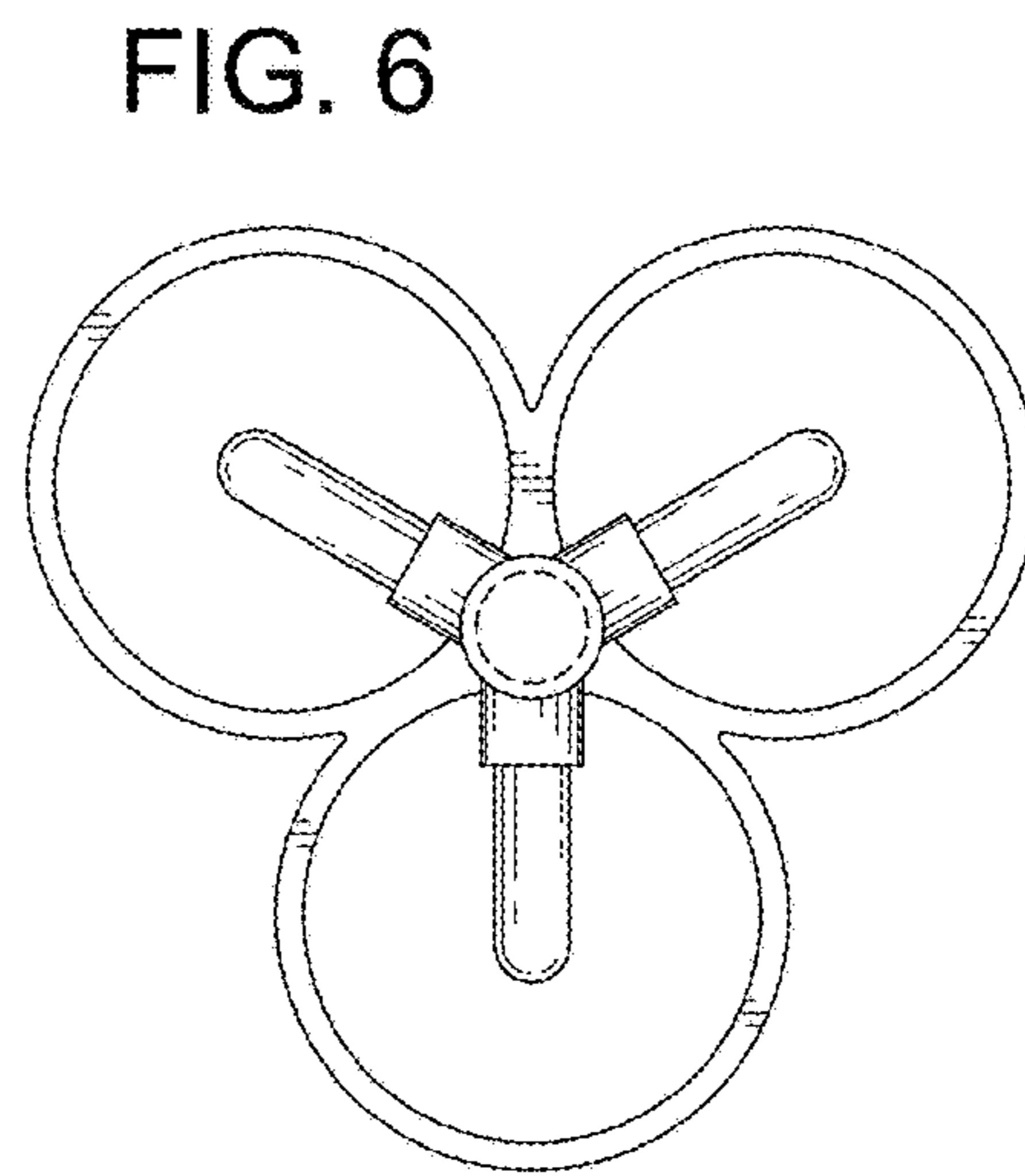
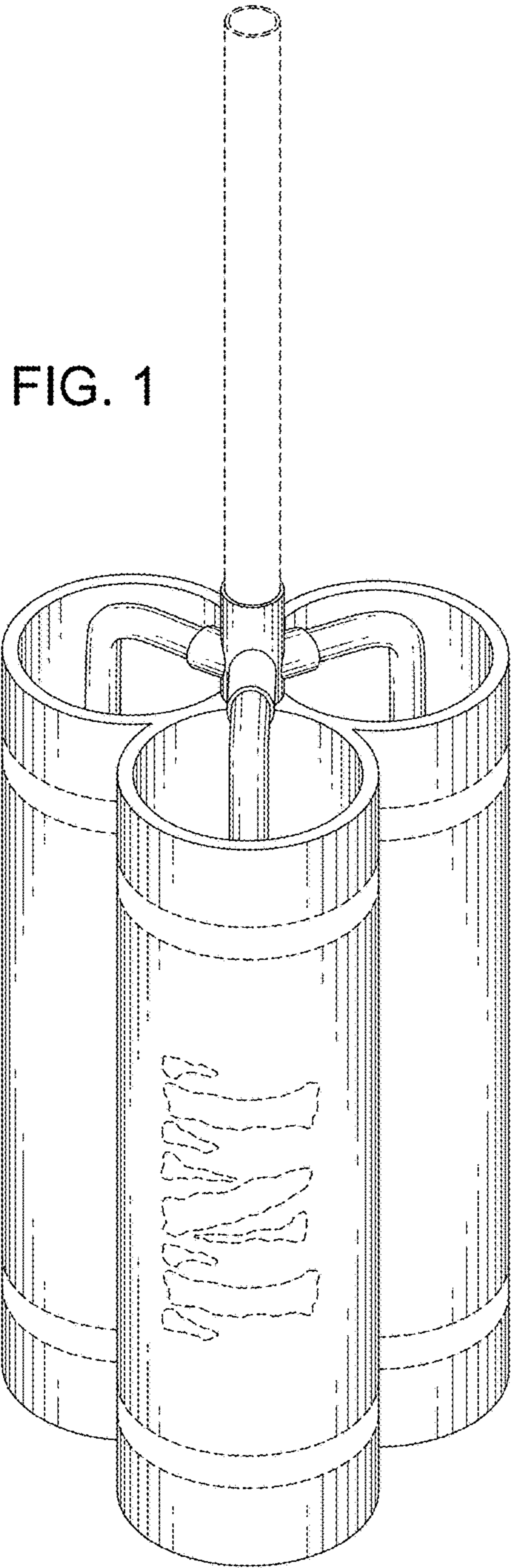


FIG. 2

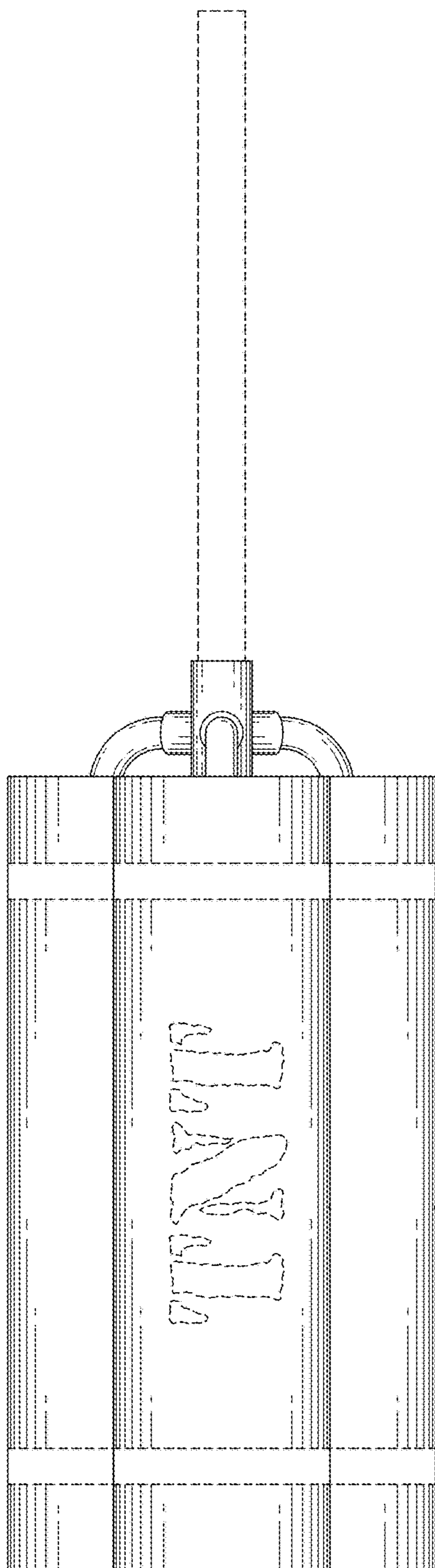


FIG. 3

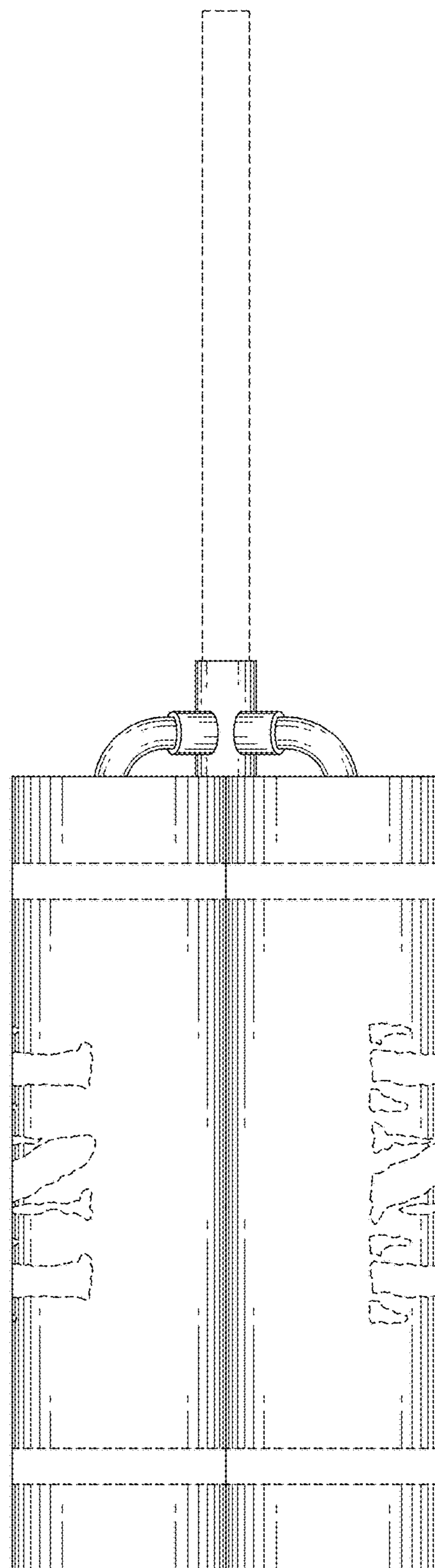


FIG. 4

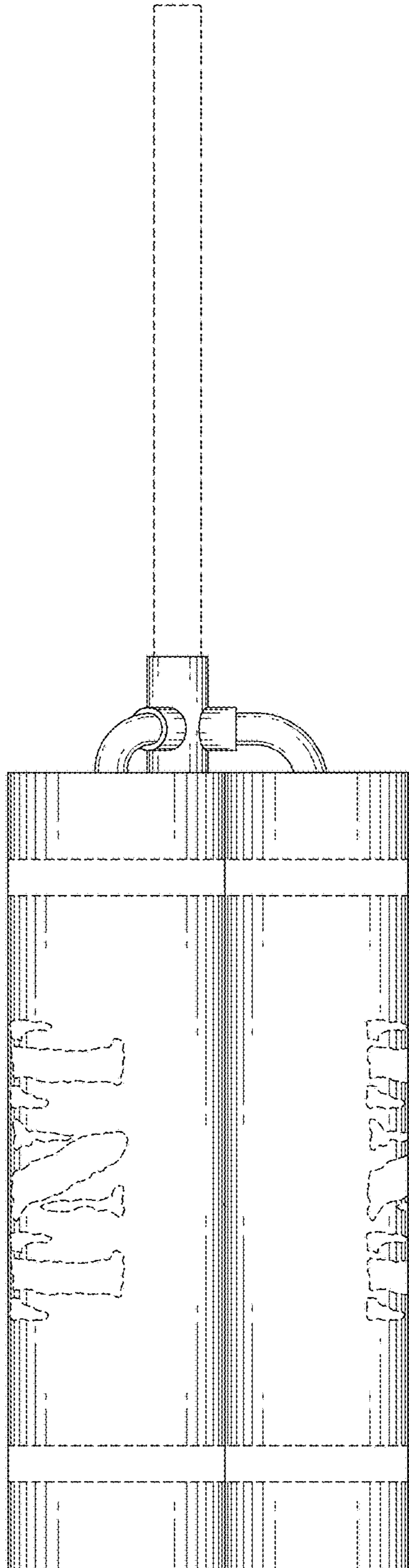


FIG. 5

