



US00D783358S

(12) **United States Design Patent**
Schlegel et al.

(10) **Patent No.:** **US D783,358 S**
(45) **Date of Patent:** **** Apr. 11, 2017**

(54) **DRINKING CUP**

(71) Applicant: **Helen of Troy Limited**, Belleville, St. Michael (BB)

(72) Inventors: **Reid Schlegel**, Brooklyn, NY (US);
John Traub, Brooklyn, NY (US); **Alex Wastney**, Brooklyn, NY (US)

(73) Assignee: **Helen of Troy Limited**, Belleville, St. Michael (BB)

(**) Term: **15 Years**

(21) Appl. No.: **29/538,914**

(22) Filed: **Sep. 9, 2015**

(51) **LOC (10) Cl.** **07-01**

(52) **U.S. Cl.**
USPC **D7/510; D7/511; D7/523**

(58) **Field of Classification Search**
USPC D7/507, 509, 510, 511, 523, 529, 531,
D7/532, 533, 534, 608, 300.2, 591, 598,
D7/601, 602, 387, 392.1, 396.2, 396.1,
D7/398, 399, 397, 400, 516, 518, 519;
D9/435, 436, 519, 549, 552, 556, 559,
D9/439, 440, 434; D21/386; D24/196,
D24/197; 220/592.16, 292.17, 705, 710,
220/495.03

CPC A47G 19/22; A47G 19/2211; A47G 19/2216;
A47G 19/2222; A47G 19/2233

See application file for complete search history.

(56) **References Cited**

U.S. PATENT DOCUMENTS

2,753,049 A * 7/1956 Gaines A47G 19/2211
210/469
D309,553 S * 7/1990 Daenen D7/591

D322,196 S * 12/1991 Ohnuki D7/510
D325,783 S * 4/1992 Anderson D24/193
D329,355 S * 9/1992 Yagi D7/511
D364,317 S * 11/1995 Humphrey D7/510
D457,034 S * 5/2002 Bodum D7/510
7,549,556 B2 * 6/2009 Miller A47G 19/2272
137/853
D641,887 S * 7/2011 Sirota D24/197
D675,877 S * 2/2013 Thomas D7/510
D676,709 S * 2/2013 Thomas D7/510
8,453,870 B2 * 6/2013 Berg A47G 19/2272
215/311
D693,628 S * 11/2013 Tavenner D7/392.1
D730,692 S * 6/2015 Davis D7/509
D732,676 S * 6/2015 Prentice D24/197
D741,658 S * 10/2015 Dunn A47G 19/2272
D7/510
D749,745 S * 2/2016 Prentice D24/197

* cited by examiner

Primary Examiner — Marianne Pandozzi

Assistant Examiner — Jae Liang

(74) *Attorney, Agent, or Firm* — Rankin, Hill & Clark
LLP

(57) **CLAIM**

The ornamental design for a drinking cup, as shown and described.

DESCRIPTION

FIG. 1 is a perspective view of a drinking cup showing our new design;

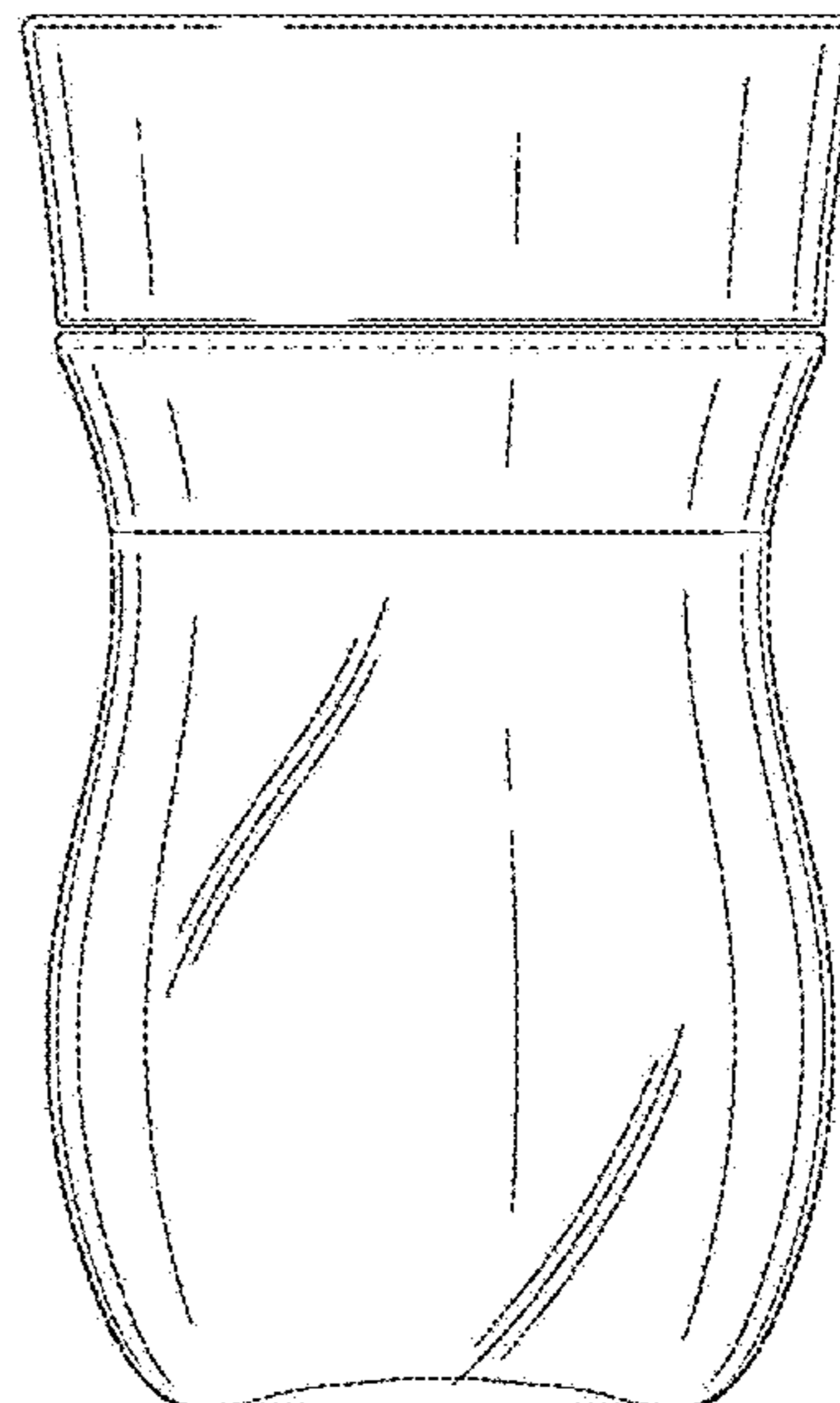
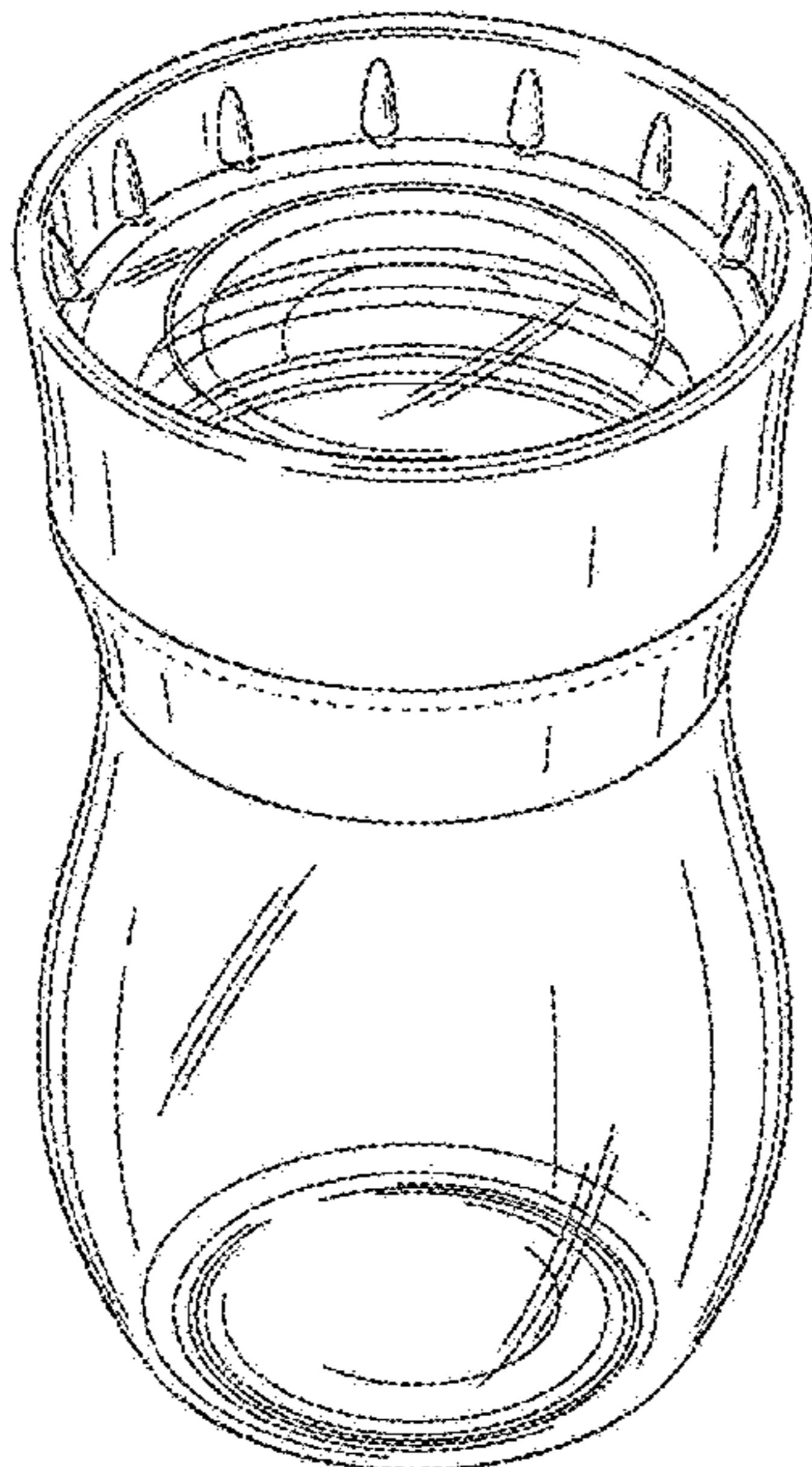
FIG. 2 is a side elevational view thereof; all sides being the same;

FIG. 3 is a top plan view thereof; and,

FIG. 4 is a bottom plan view thereof.

The broken lines in the drawing depict portions of the drinking cup that form no part of the claimed design.

1 Claim, 4 Drawing Sheets



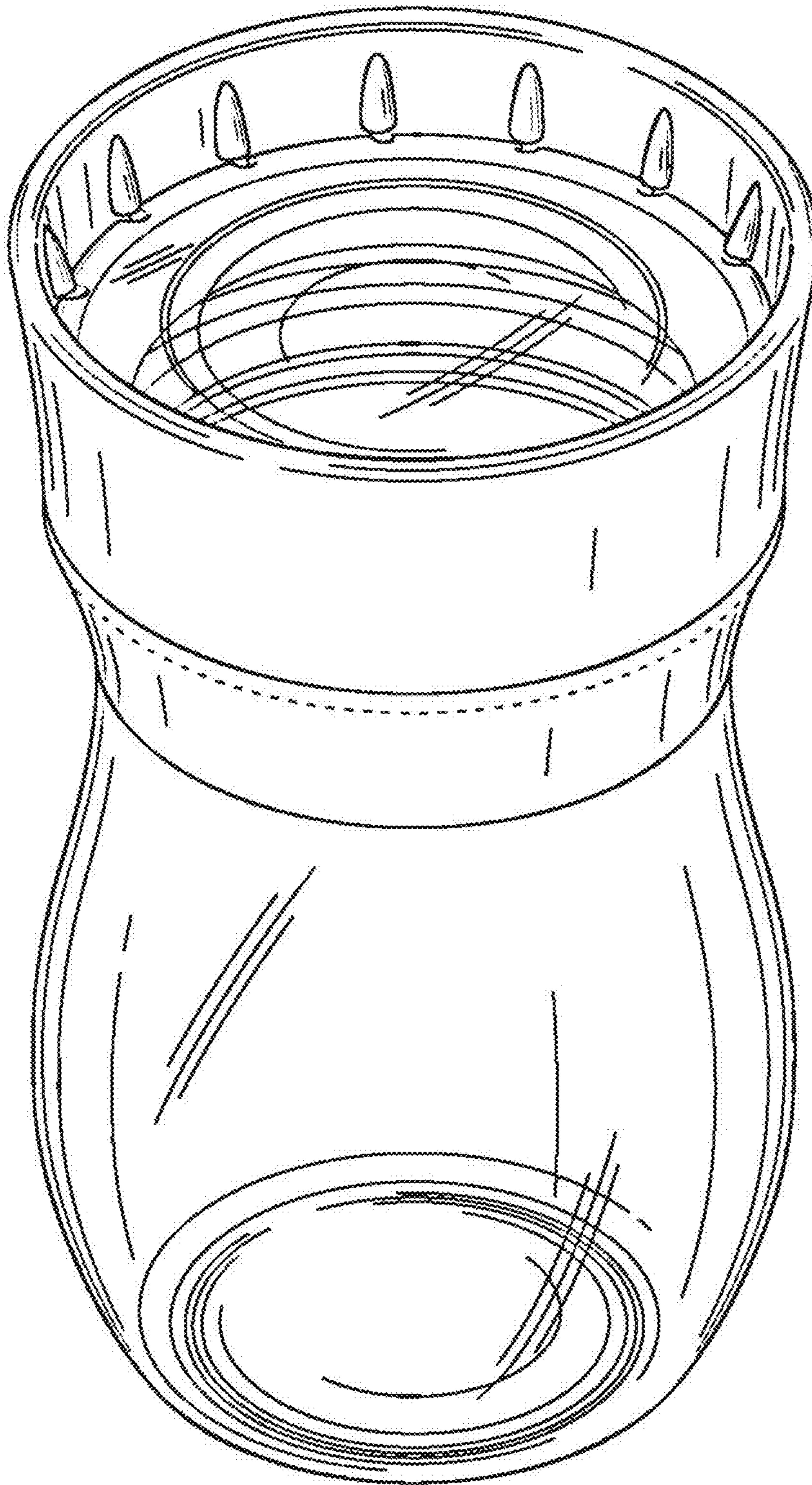


FIG. 1

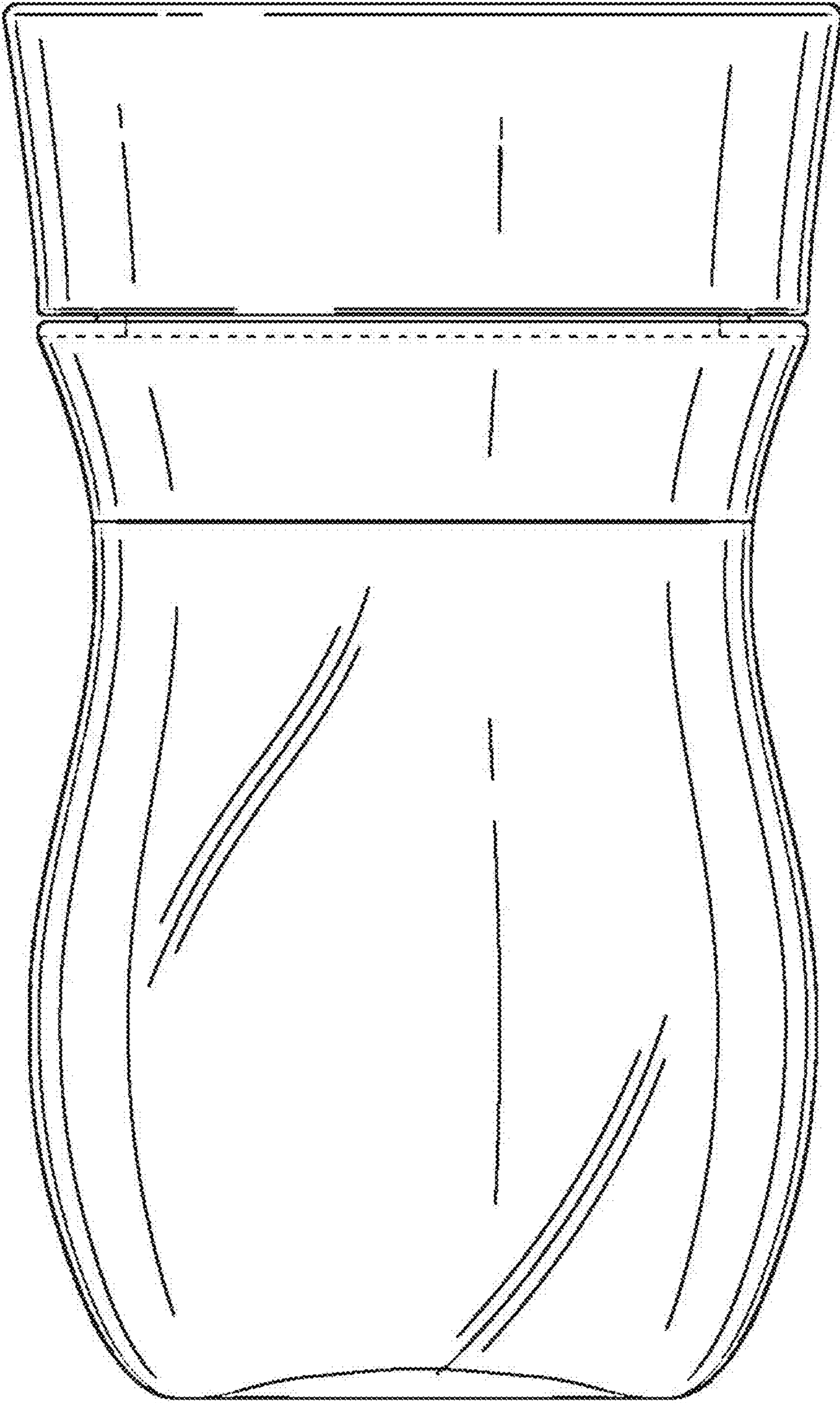


FIG. 2

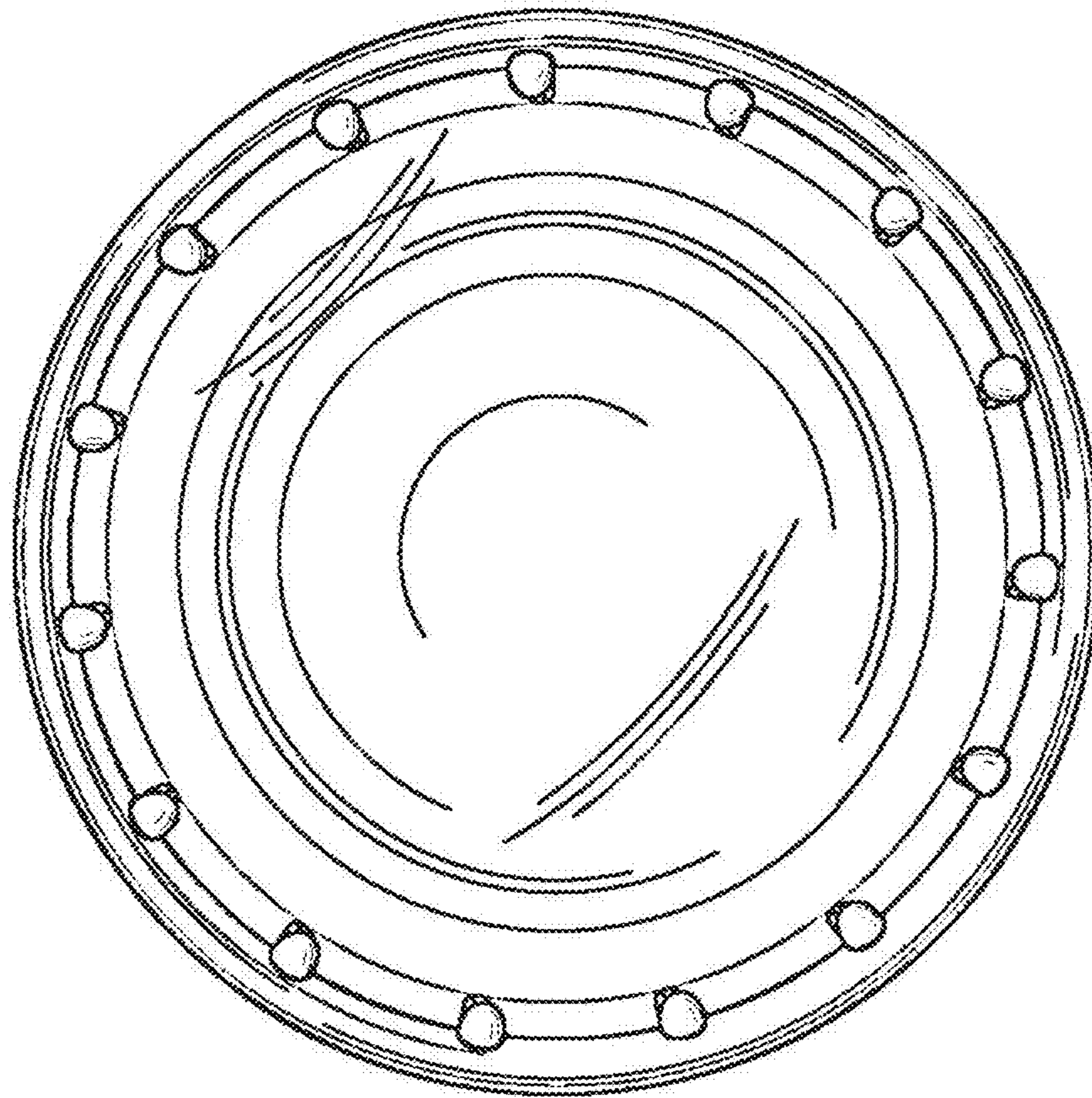


FIG. 3

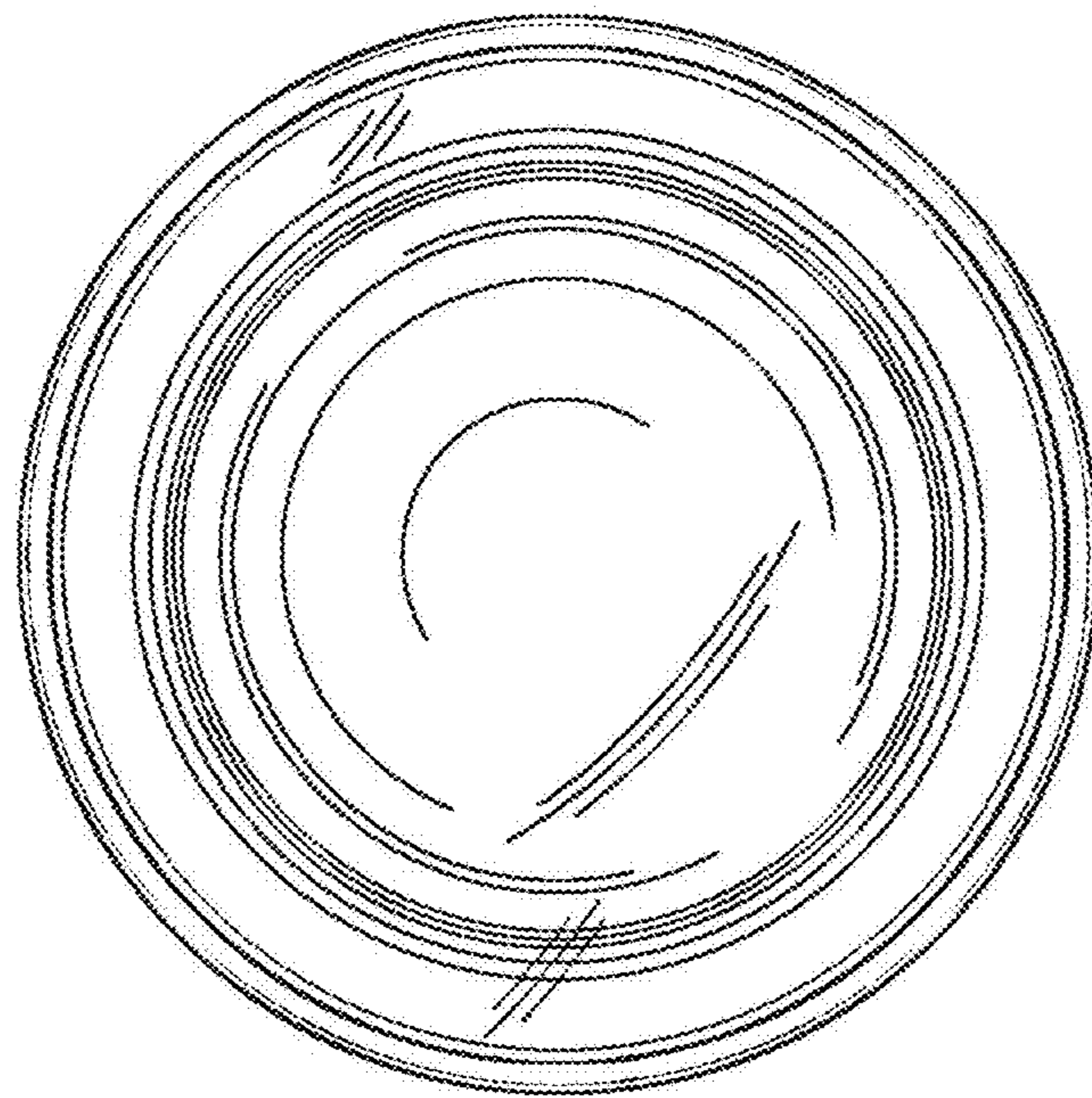


FIG. 4