



US00D783357S

(12) **United States Design Patent**
Jetton et al.

(10) **Patent No.:** **US D783,357 S**
(45) **Date of Patent:** **** Apr. 11, 2017**

(54) **SERVING CUP**

(71) Applicant: **FOOD & BEVERAGE INNOVATIONS, LLC**, Lake Oswego, OR (US)

(72) Inventors: **Jeffrey R. Jetton**, Lake Oswego, OR (US); **Tyler L. Williams**, Lake Oswego, OR (US); **Stan A. Levitsky**, Lake Oswego, OR (US)

(73) Assignee: **Food & Beverage Innovations, LLC**, Portland, OR (US)

(**) Term: **15 Years**

(21) Appl. No.: **29/557,074**

(22) Filed: **Mar. 4, 2016**

(51) **LOC (10) Cl.** **07-01**

(52) **U.S. Cl.**
USPC **D7/509**

(58) **Field of Classification Search**
USPC D7/500–511, 515, 523, 529, 532, D7/540–549; D9/424, 425, 429, 430, D9/455, 456, 499, 528, 651, 600, 712, D9/414; D11/11, 37, 89, 152, 155; 220/23.4, 23.83, 592.16, 592.17; 229/400, 403; D34/1, 2, 4; 47/17, 32.5, 47/32.7, 33
CPC A47G 19/22; A47G 19/2205; A47G 19/2211; A47G 19/2216; A47G 19/2272; A47G 19/32; A45F 3/20; A45F 2003/205; B65D 21/02; B65D 1/265; B65D 3/06
See application file for complete search history.

(56) **References Cited**

U.S. PATENT DOCUMENTS

D291,612 S * 8/1987 Inui D30/121
D337,187 S * 7/1993 Hampshire D11/152

D446,684 S * 8/2001 Price D7/509
D468,203 S * 1/2003 Gittins et al. D9/424
D505,830 S * 6/2005 Smith et al. D7/509
D558,587 S * 1/2008 Gibson et al. D9/571
D647,268 S * 10/2011 Chen D32/53
D653,536 S * 2/2012 Gartz D9/425
D674,275 S * 1/2013 Bouveret D9/428
D693,080 S * 11/2013 Shao D32/53
D719,019 S * 12/2014 Avis D9/424
D728,882 S * 5/2015 Tsai A47L 13/59
D741,561 S * 10/2015 Zeng D32/53
D752,972 S * 4/2016 Goldstein et al. D9/429

(Continued)

Primary Examiner — Daniel Bui

Assistant Examiner — Andrew Kerr

(74) *Attorney, Agent, or Firm* — McCoy Russell LLP

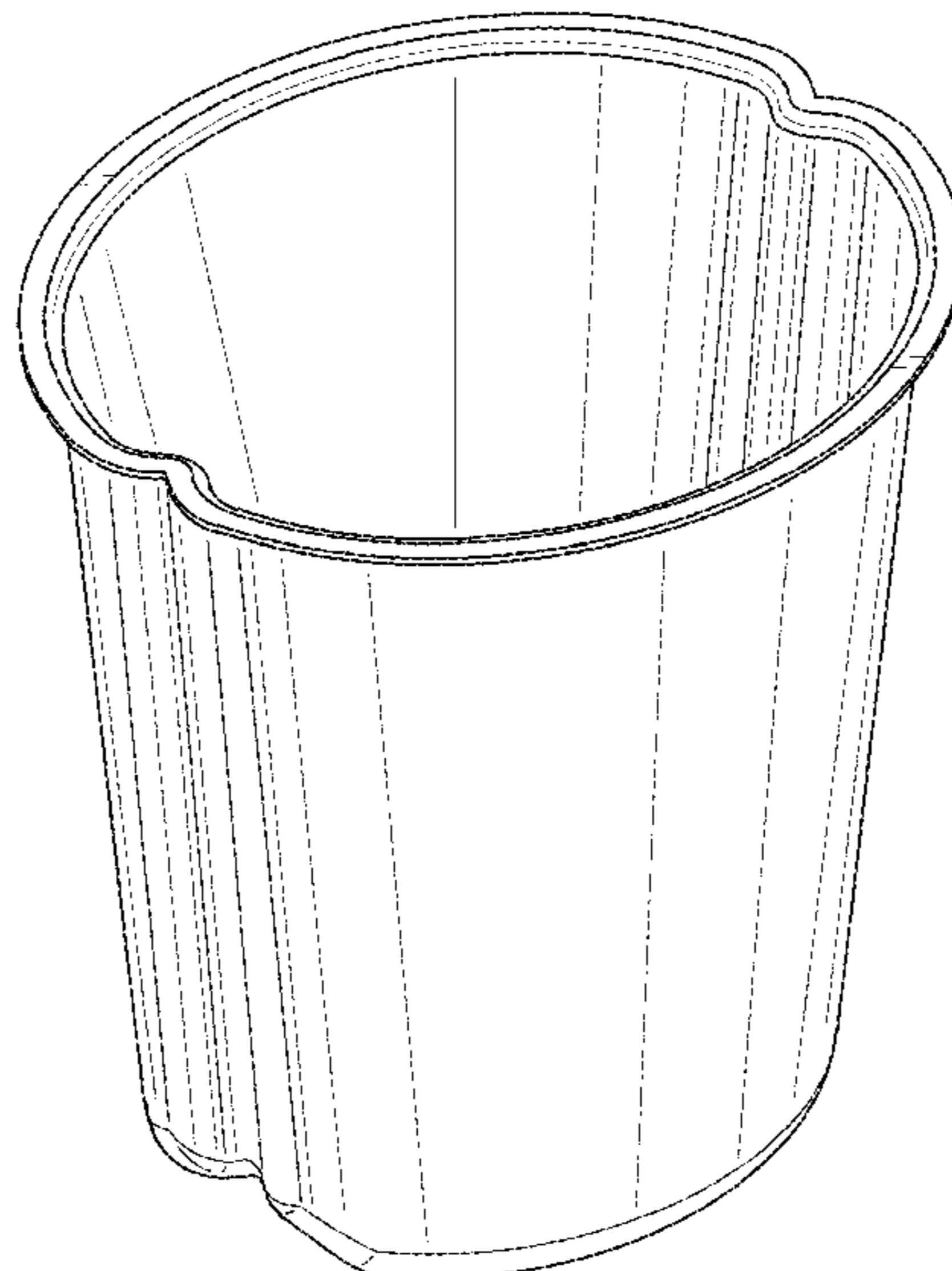
(57) **CLAIM**

The ornamental design for a serving cup, as shown and described.

DESCRIPTION

FIG. 1 is a front-right perspective view of a design for a serving cup, showing our new design.
FIG. 2 is a front view of the serving cup of FIG. 1.
FIG. 3 is a back view of the serving cup of FIG. 1.
FIG. 4 is a left side view of the serving cup of FIG. 1.
FIG. 5 is a right side view of the serving cup of FIG. 1.
FIG. 6 is a top view of the serving cup of FIG. 1; and, FIG. 7 is a bottom view of the serving cup of FIG. 1.
The solid lines in FIGS. 1-7 illustrate a serving cup according to the present invention.

1 Claim, 7 Drawing Sheets



(56)

References Cited

U.S. PATENT DOCUMENTS

D756,771 S * 5/2016 Covey et al. D7/400
D758,200 S * 6/2016 O'Brien D9/425

* cited by examiner

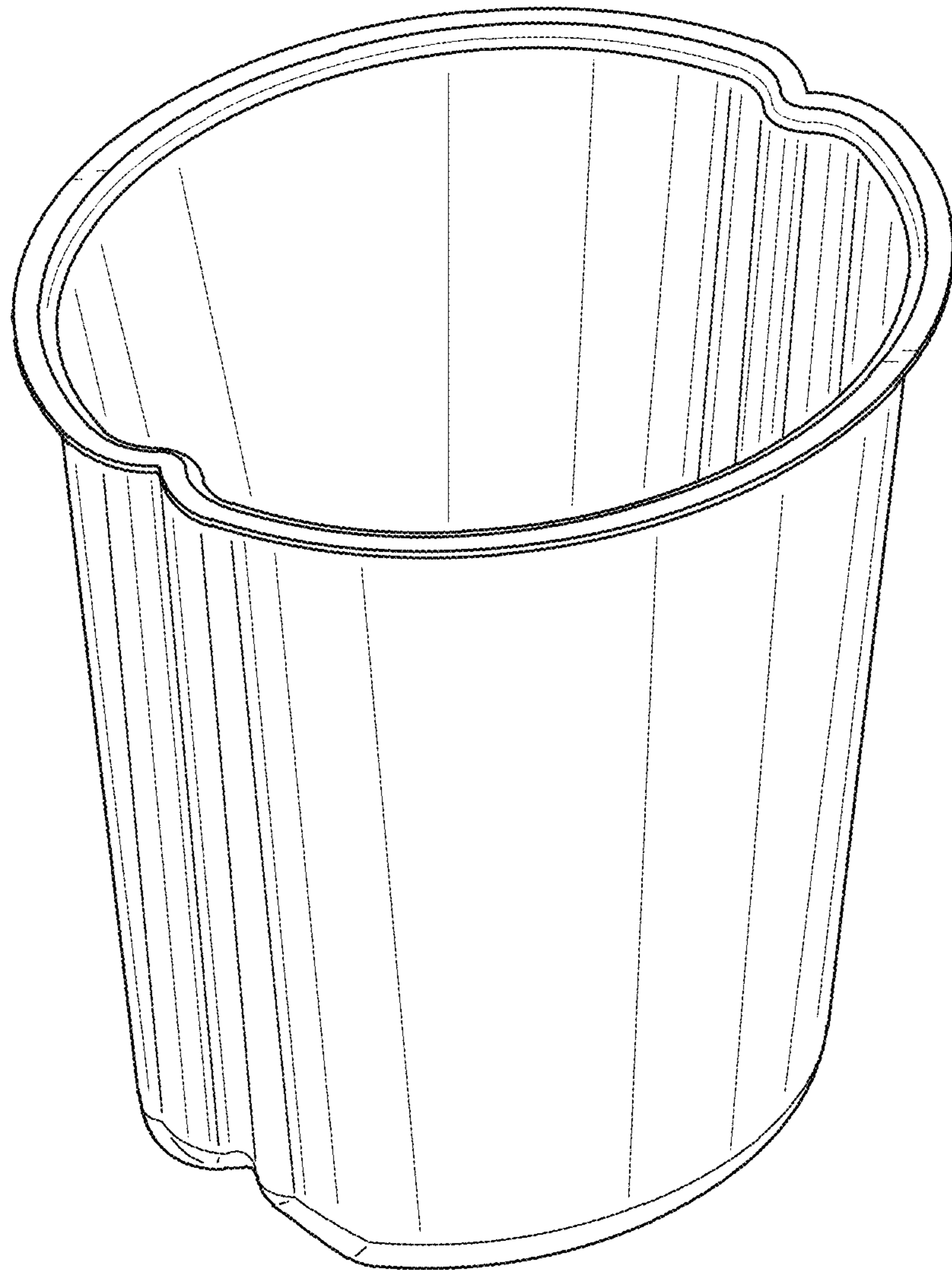


FIG. 1

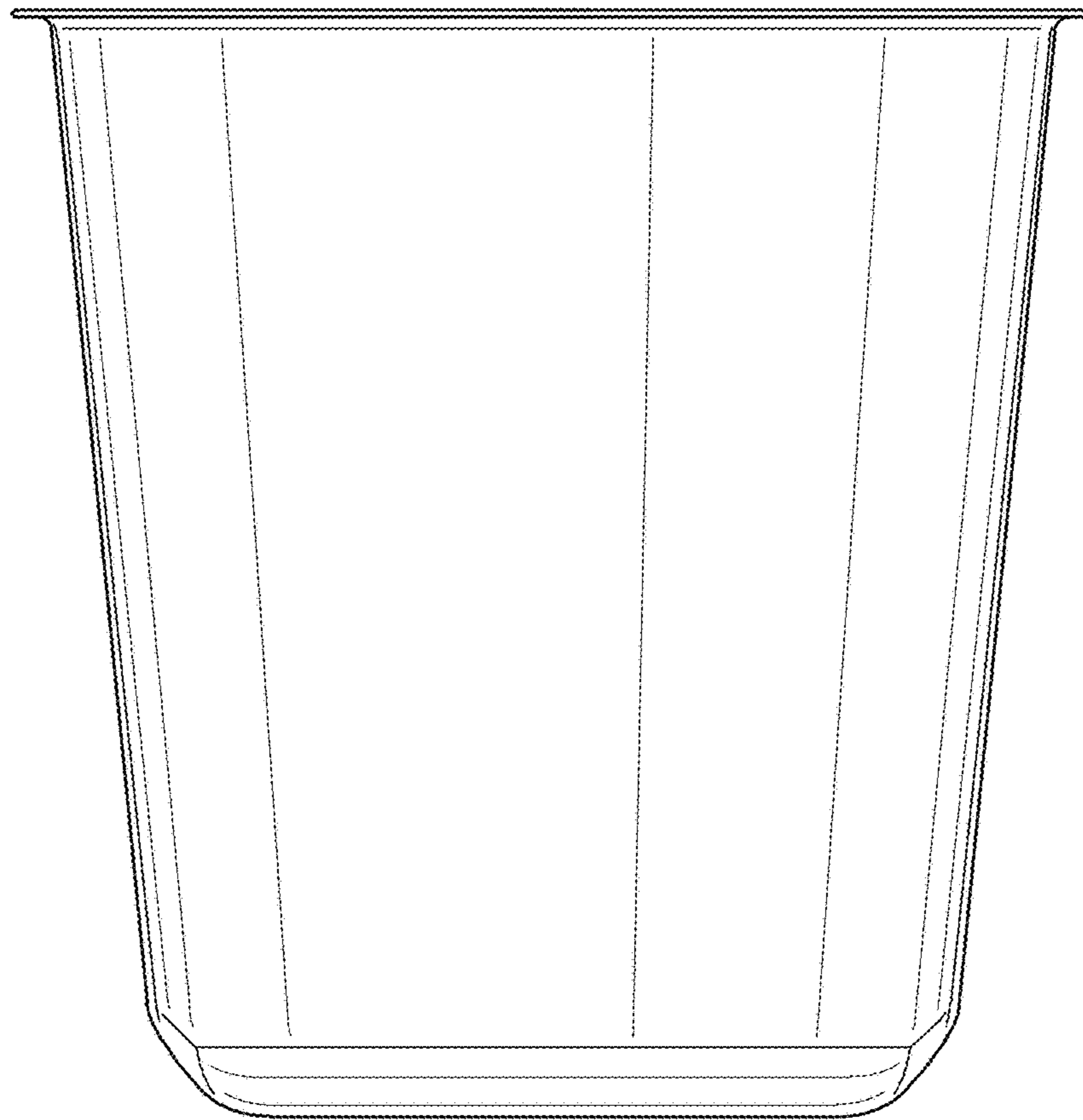


FIG. 2

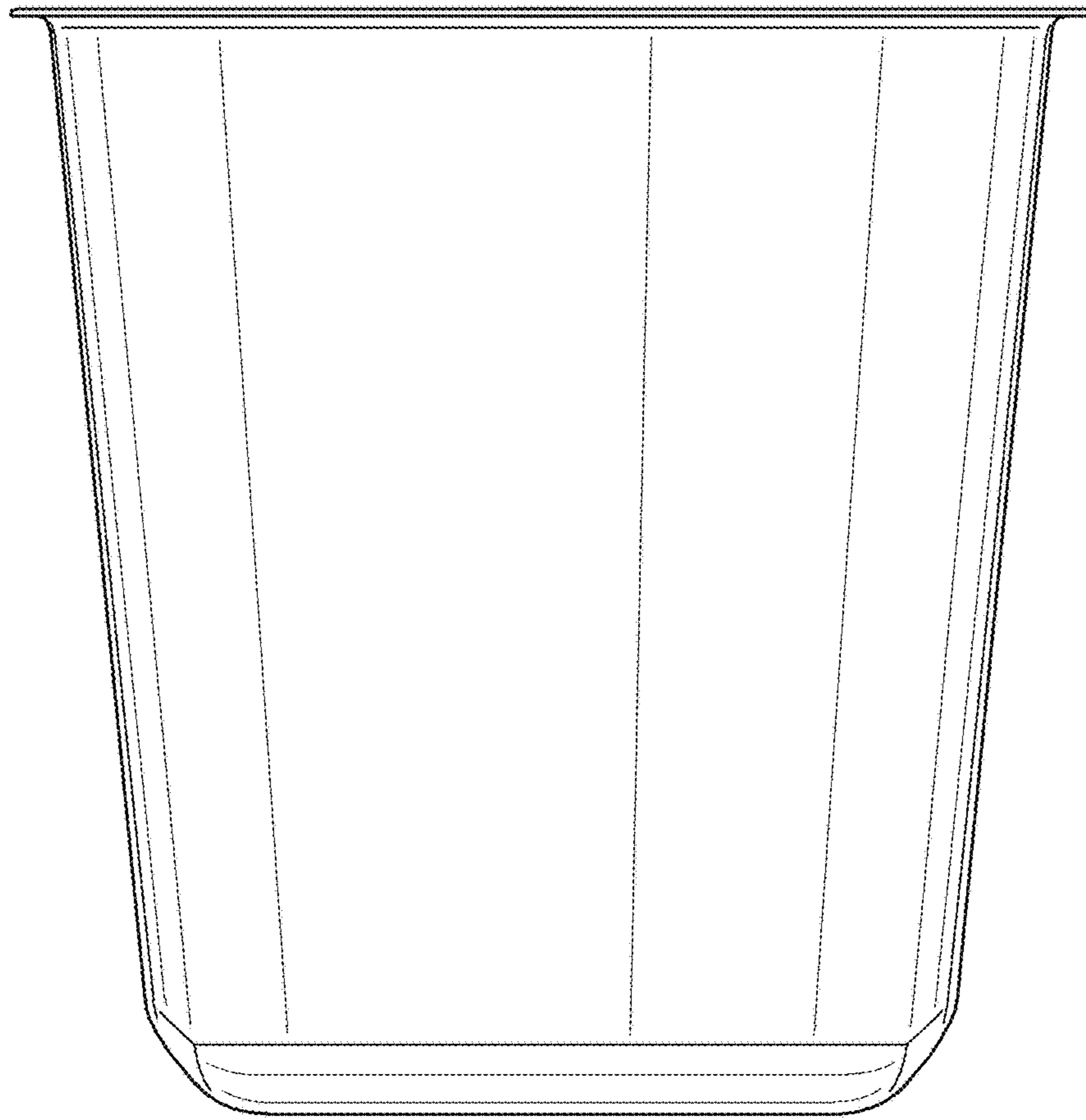


FIG. 3

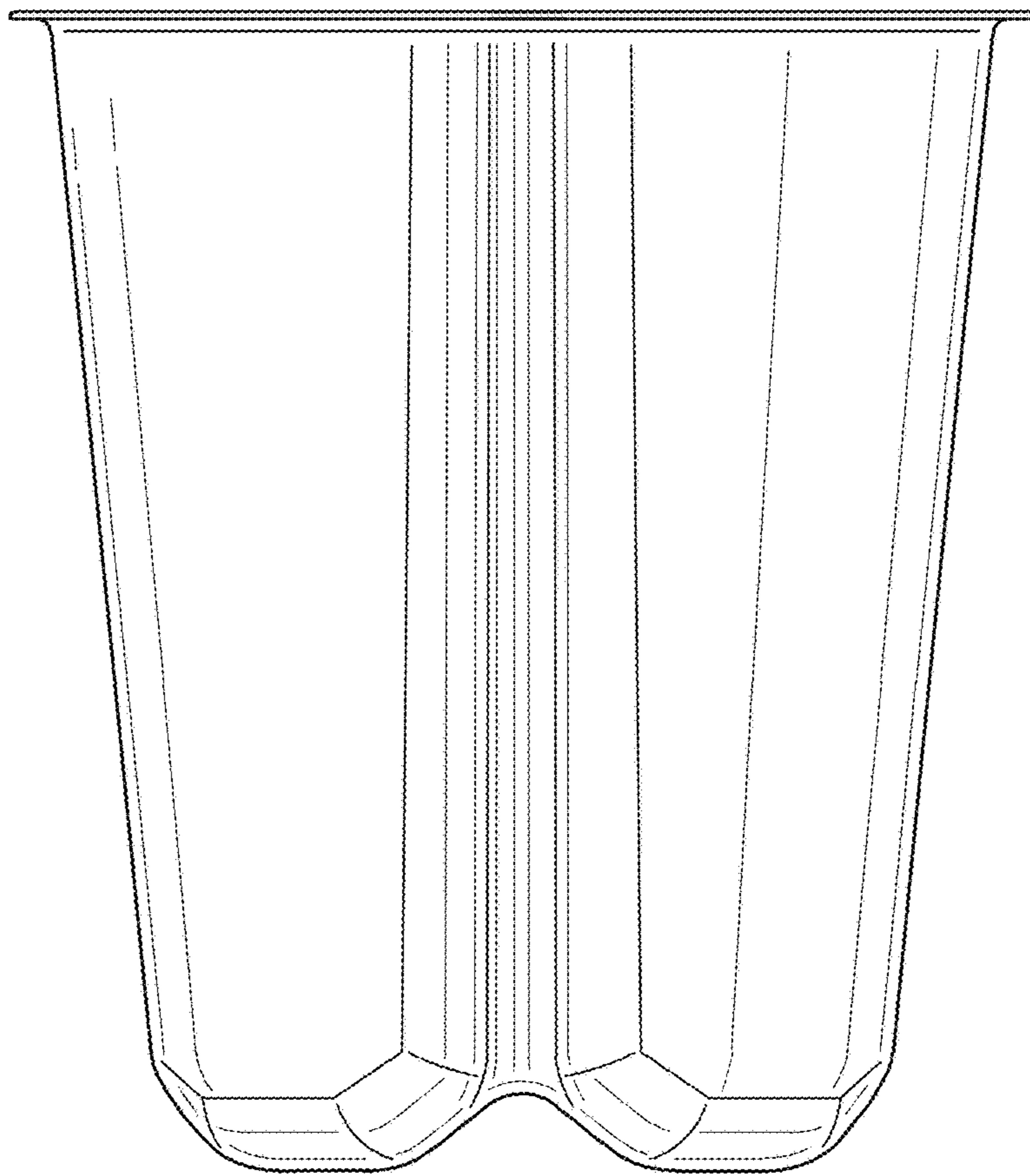


FIG. 4

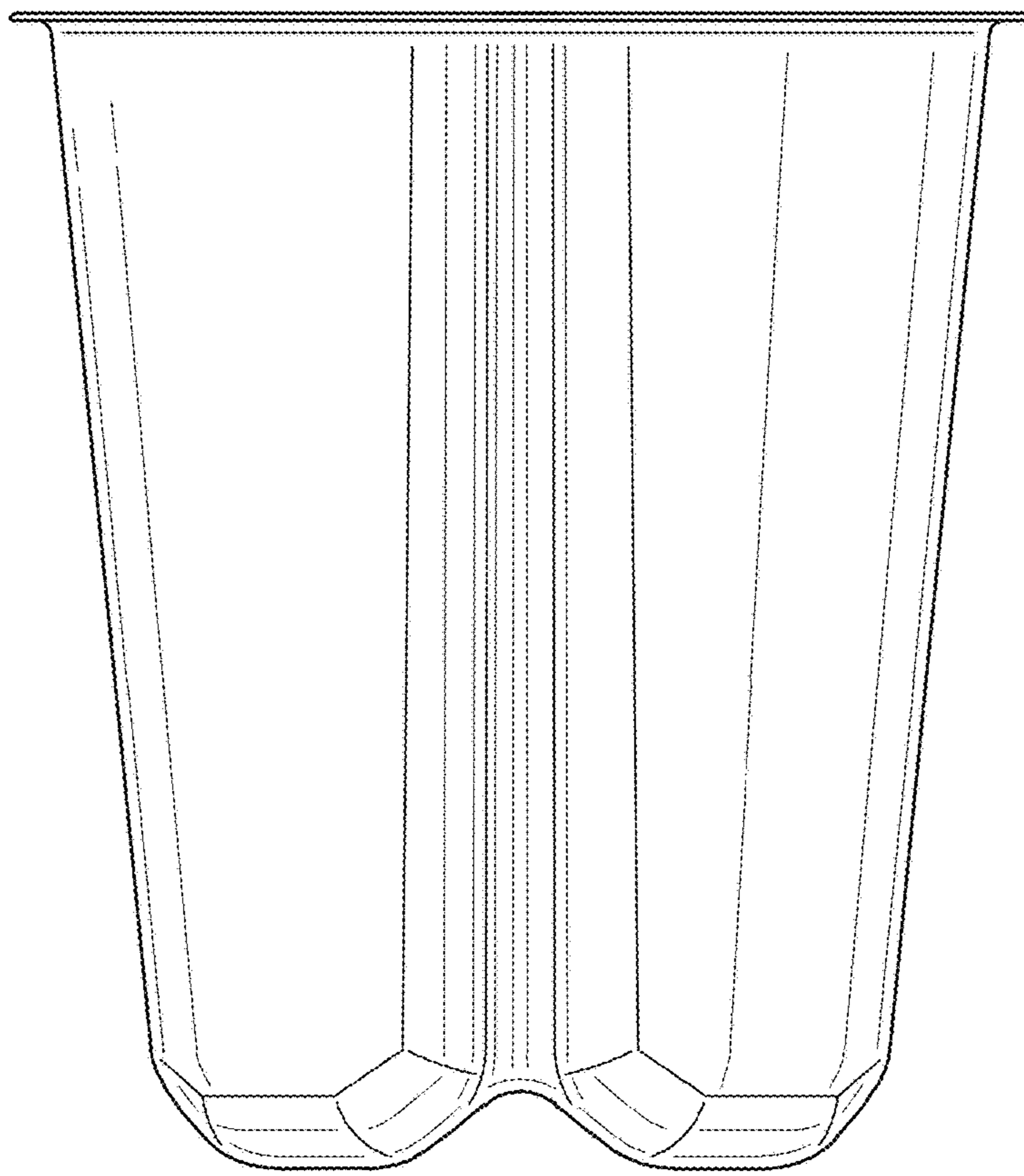


FIG. 5

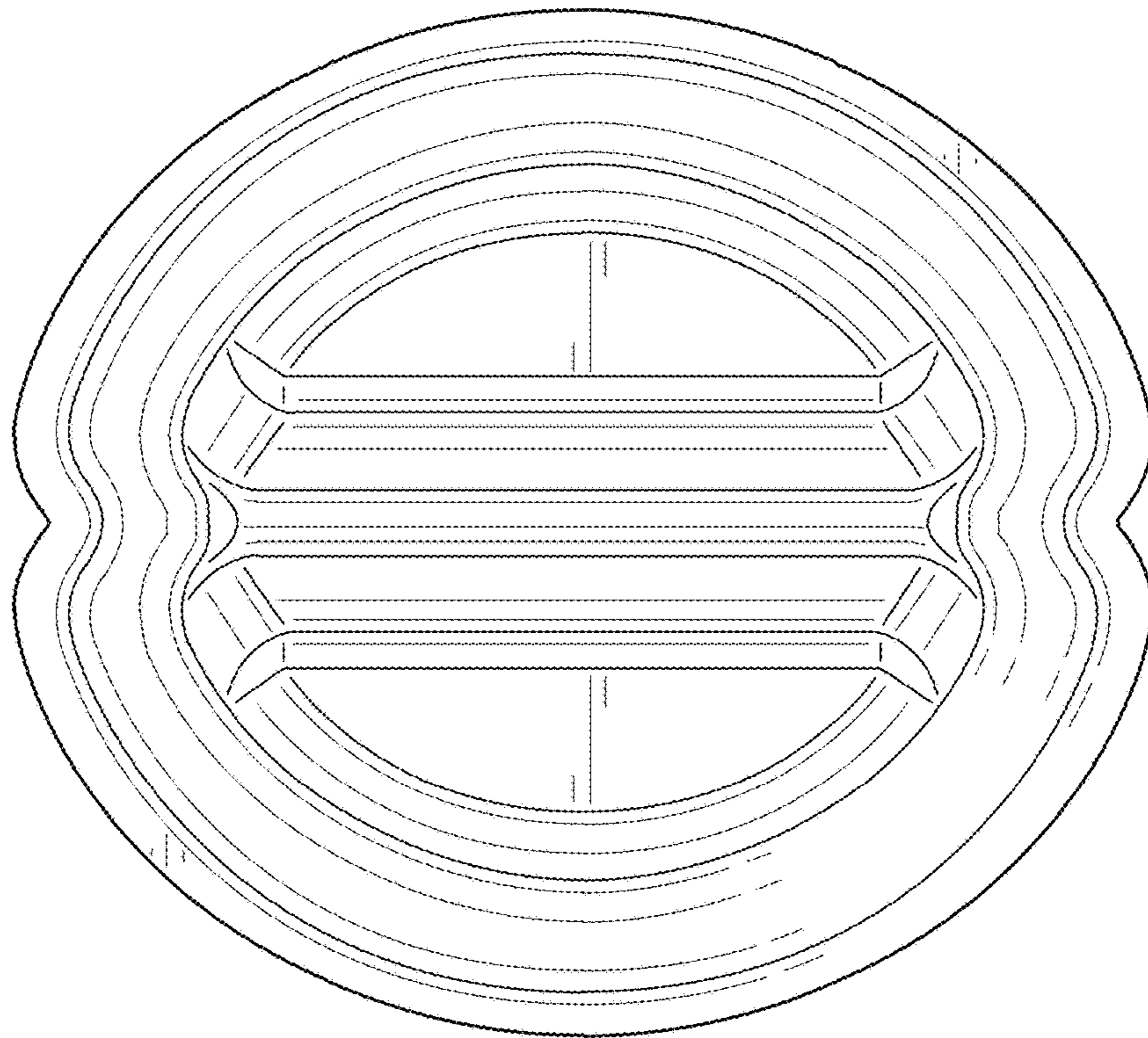


FIG. 6

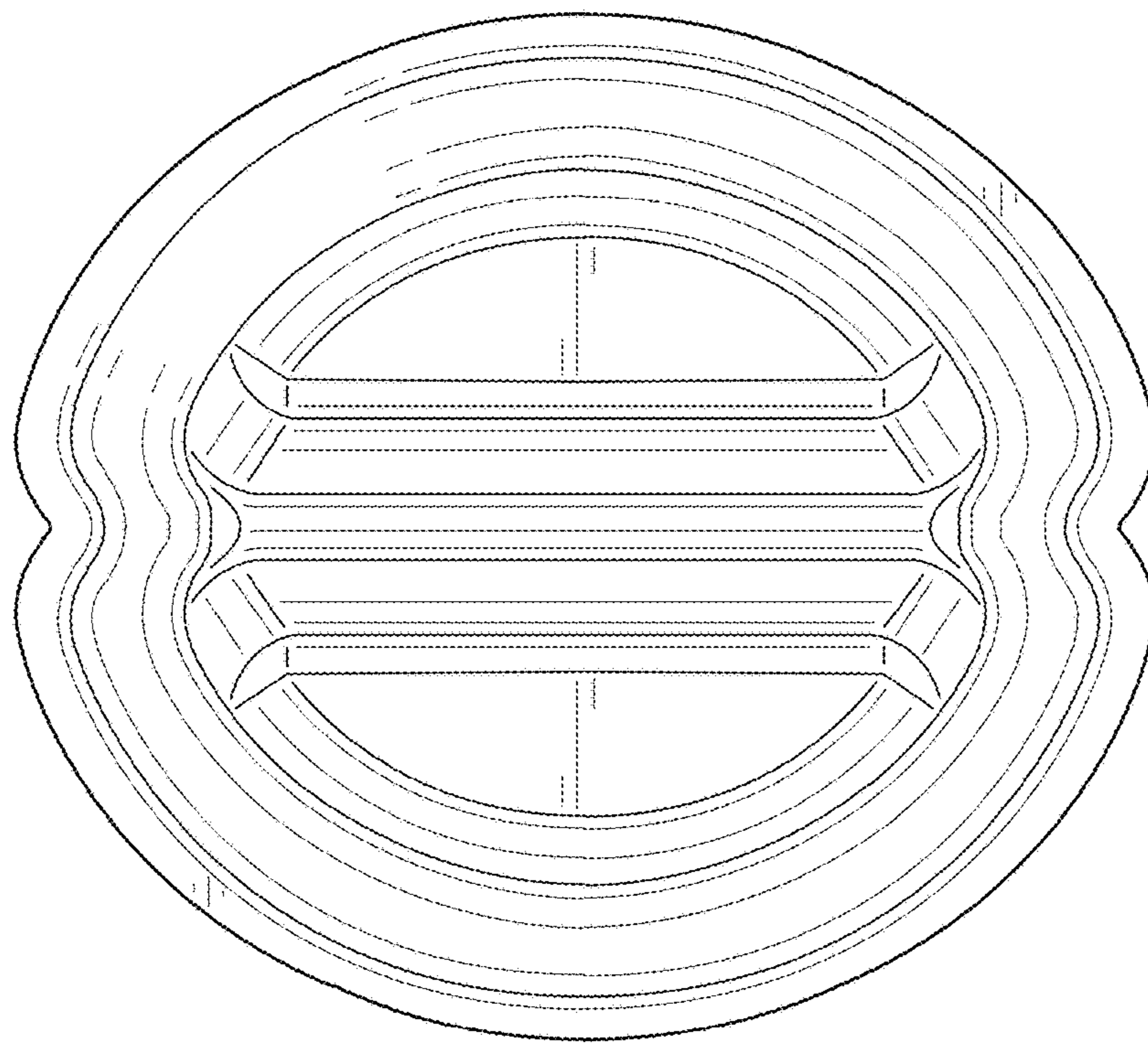


FIG. 7