



US00D783355S

(12) **United States Design Patent**  
**Tu**

(10) **Patent No.:** **US D783,355 S**  
(45) **Date of Patent:** **\*\* Apr. 11, 2017**

(54) **BLENDER ATTACHMENT**

(71) Applicant: **SharkNinja Operating LLC**, Newton, MA (US)

(72) Inventor: **Joyce Chien Tu**, Arlington, MA (US)

(73) Assignee: **SharkNinja Operating LLC**, Newton, MA (US)

(\*\*) Term: **15 Years**

(21) Appl. No.: **29/533,491**

(22) Filed: **Jul. 17, 2015**

(51) **LOC (10) Cl.** ..... **31-00**

(52) **U.S. Cl.**  
USPC ..... **D7/413; D7/376; D7/378**

(58) **Field of Classification Search**  
USPC ..... D7/300.1, 372, 376–386, 412–413, 510,  
D7/602, 629, 665–666, 669, 679,  
D7/693–694

(Continued)

(56) **References Cited**

**U.S. PATENT DOCUMENTS**

3,627,008 A \* 12/1971 Samuelian ..... A47J 43/0766  
215/320

4,430,557 A 2/1984 Eichelberger et al.

(Continued)

**FOREIGN PATENT DOCUMENTS**

CN 101637242 A 2/2010

CN 203468415 U 3/2014

(Continued)

**OTHER PUBLICATIONS**

Invitation to Pay Additional Fees; International Application No. PCT/US2016/016083; International Filing Date: Feb. 2, 2016; Date of Mailing: May 4, 2016; 8 Pages.

(Continued)

*Primary Examiner* — Ricky Pham

(74) *Attorney, Agent, or Firm* — Cantor Colburn LLP

(57) **CLAIM**

The ornamental design for blender attachment, as shown and described.

**DESCRIPTION**

FIG. 1 is a perspective view of a blender attachment, showing our new design in a first embodiment;

FIG. 2 is a front view of the embodiment shown in FIG. 1;

FIG. 3 is a back view of the embodiment shown in FIG. 1;

FIG. 4 is side view of the embodiment shown in FIG. 1;

FIG. 5 is another side view of the embodiment shown in FIG. 1;

FIG. 6 is a top view of the embodiment shown in FIG. 1;

FIG. 7 is a bottom view of the embodiment shown in FIG. 1;

FIG. 8 is another perspective view of the embodiment shown in FIG. 1, as shown in a blender environment;

FIG. 9 is a perspective view of a blender attachment, showing our new design in another embodiment;

FIG. 10 is a front view of the embodiment shown in FIG. 9;

FIG. 11 is a back view of the embodiment shown in FIG. 9;

FIG. 12 is side view of the embodiment shown in FIG. 9;

FIG. 13 is another side view of the embodiment shown in FIG. 9;

FIG. 14 is a top view of the embodiment shown in FIG. 9;

FIG. 15 is a bottom view of the embodiment shown in FIG. 9;

FIG. 16 is another perspective view of the embodiment shown in FIG. 9, as shown in a blender environment;

FIG. 17 is a perspective view of a Blender Attachment, showing new design in another embodiment;

FIG. 18 is a front view of the embodiment shown in FIG. 17;

FIG. 19 is a back view of the embodiment shown in FIG. 17;

FIG. 20 is side view of the embodiment shown in FIG. 17;

FIG. 21 is another side view of the embodiment shown in FIG. 17;

FIG. 22 is a top view of the embodiment shown in FIG. 17;

FIG. 23 is a bottom view of the embodiment shown in FIG. 17;

(Continued)

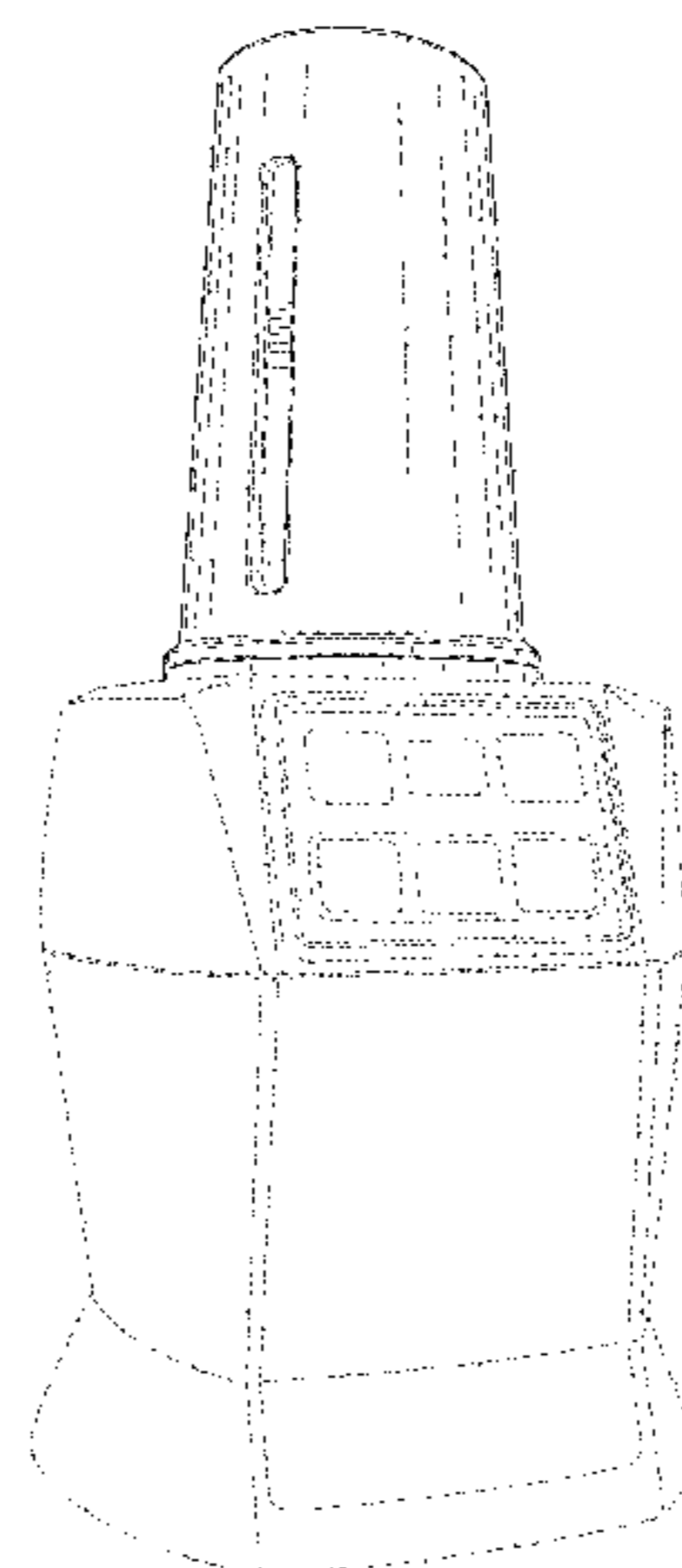
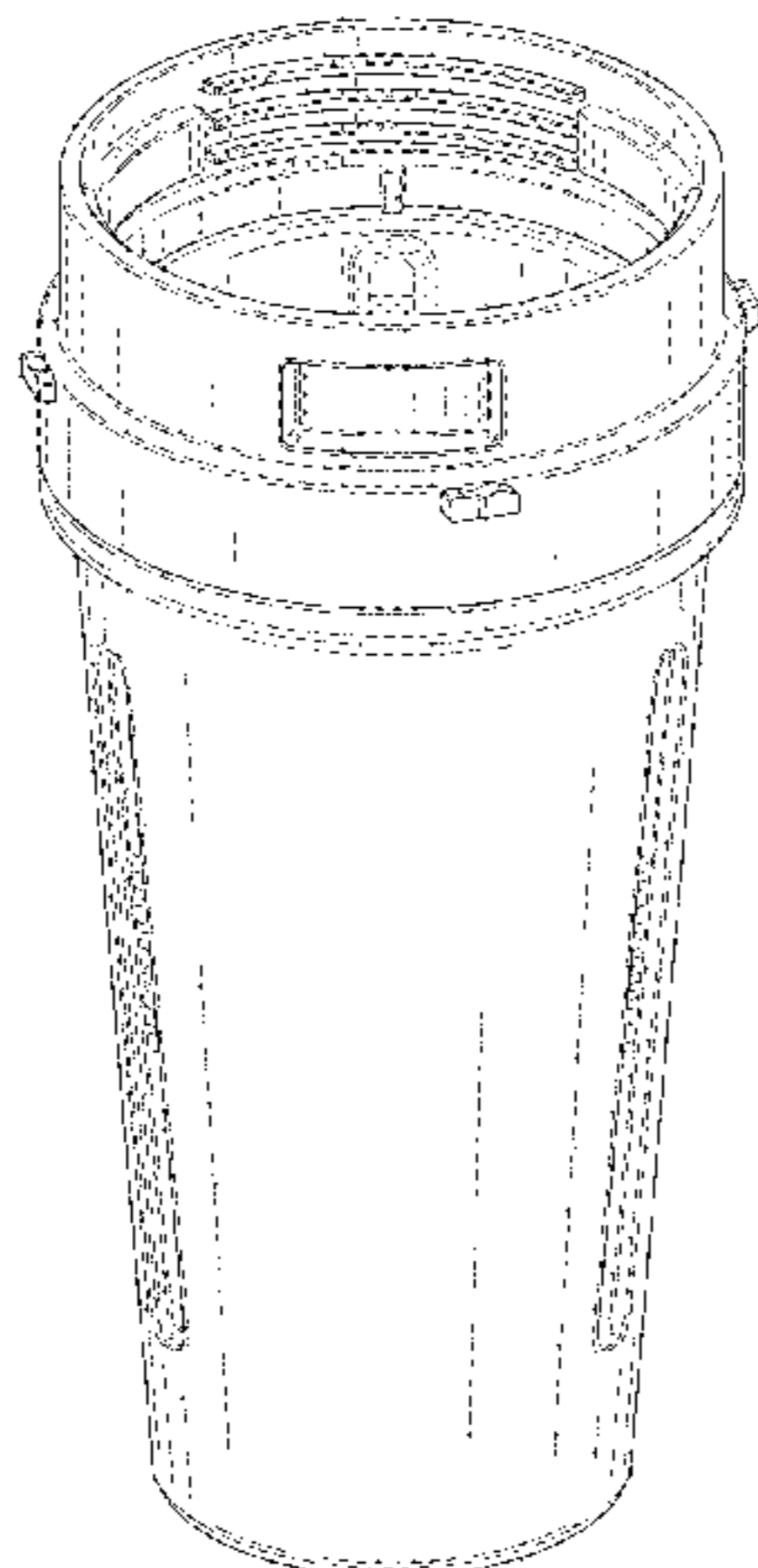


FIG. 24 is another perspective view of the embodiment shown in FIG. 17, as shown in a blender environment  
 FIG. 25 is a perspective view of a blender attachment, showing our new design in another embodiment;  
 FIG. 26 is a front view of the embodiment shown in FIG. 25;  
 FIG. 27 is a back view of the embodiment shown in FIG. 25;  
 FIG. 28 is side view of the embodiment shown in FIG. 25;  
 FIG. 29 is another side view of the embodiment shown in FIG. 25;  
 FIG. 30 is a top view of the embodiment shown in FIG. 25;  
 FIG. 31 is a bottom view of the embodiment shown in FIG. 25;  
 FIG. 32 is another perspective view of the embodiment shown in FIG. 25, as shown in a blender environment;  
 FIG. 33 is a perspective view of a blender attachment, showing our new design in another embodiment;  
 FIG. 34 is a front view of the embodiment shown in FIG. 33;  
 FIG. 35 is a back view of the embodiment shown in FIG. 33;  
 FIG. 36 is side view of the embodiment shown in FIG. 33;  
 FIG. 37 is another side view of the embodiment shown in FIG. 33;  
 FIG. 38 is a top view of the embodiment shown in FIG. 33;  
 FIG. 39 is a bottom view of the embodiment shown in FIG. 33; and,  
 FIG. 40 is another perspective view of the embodiment shown in FIG. 33, as shown in a blender environment.

The broken lines in the figures are for environmental purposes only and form no part of the claimed design.

The stippling shown in the embodiments of FIGS. 25-32 represents a contrast in appearance and/or material from the other claimed portions of the design in the embodiments of FIGS. 25-32.

The stippling shown in the embodiments of FIGS. 33-40 (which is a lighter relative to the stippling in the embodiments of FIGS. 25-32) represents a brushed metallic surface such as stainless steel.

**1 Claim, 35 Drawing Sheets**

(58) **Field of Classification Search**

CPC .... A21C 1/02; A21C 1/04; A23N 1/00; A23N 1/02; A47G 19/22; A47J 43/04; A47J 43/25; A47J 43/27; A47J 43/042; A47J 43/044; A47J 43/046; A47J 43/075; A47J 43/0722; A47J 43/0727; A47J 43/0766; A47J 43/0777; B01F 3/00; B01F 3/0807; B01F 3/0853; B01F 13/0059; B01F 13/0064; B02C 1/08; B02C 2/04; B02C 4/42; B02C 4/142; B02C 4/143; B02C 4/423; B02C 13/1835; B28C 5/10; B28C 5/12; B28C 5/14; B28C 5/16

See application file for complete search history.

(56) **References Cited**

U.S. PATENT DOCUMENTS

5,233,932 A 8/1993 Robertson  
 5,613,720 A 3/1997 Shaddy  
 5,655,805 A 8/1997 Shaddy  
 5,671,664 A 9/1997 Jacobson

5,918,761 A 7/1999 Wissinger  
 6,050,443 A 4/2000 Tung  
 6,216,909 B1 4/2001 Lin  
 6,450,363 B1 9/2002 Lin  
 6,511,031 B2 1/2003 Lin  
 6,786,440 B2 9/2004 Ling et al.  
 D532,255 S \* 11/2006 Sands ..... D7/396.2  
 D549,043 S \* 8/2007 Beesley ..... D7/374  
 D632,918 S \* 2/2011 Gordon ..... D7/300.1  
 D655,133 S \* 3/2012 Brinckerhoff ..... D7/376  
 D656,357 S \* 3/2012 Enghard ..... D7/300.1  
 8,393,262 B1 3/2013 Molayem  
 D683,590 S \* 6/2013 Austin ..... D7/510  
 D696,062 S 12/2013 Picozza et al.  
 8,672,164 B2 \* 3/2014 Honeyghan ..... A47G 19/22  
 215/235  
 D734,988 S \* 7/2015 Smith ..... D7/376  
 D737,629 S \* 9/2015 Sands ..... D7/376  
 D739,674 S \* 9/2015 Bergstrom ..... D7/300.1  
 D751,344 S \* 3/2016 Charlton ..... D7/300.1  
 D760,026 S \* 6/2016 Smith ..... D7/376  
 2013/0213978 A1 8/2013 Libourel et al.  
 2014/0247686 A1 9/2014 Arnett et al.  
 2015/0098299 A1 4/2015 Sapire  
 2016/0220071 A1 8/2016 Hewitt et al.

FOREIGN PATENT DOCUMENTS

EP 2275013 A1 1/2011  
 EP 2522261 A1 11/2012

OTHER PUBLICATIONS

Application for Registration of an Industrial Design Examiner's Report; Canadian Application No. 166420; Date of Issue: May 11, 2016; 2 Pages.  
 Final Office Action; U.S. Appl. No. 14/802,706; Filing Date: Jul. 17, 2015; Container for Food Processing System; Notification Date: Apr. 4, 2016; 7 Pages.  
 Food Machines International General Catalogue; JPO Publicly Known Design No. HC17002749; Oct. 2004; 5 Pages.  
 International Search Report; International Application No. PCT/US2016/016083; International Filing Date: Feb. 2, 2016; Date of Mailing: Jul. 21, 2016; 8 Pages.  
 Non-Final Office Action; U.S. Appl. No. 14/802,706; Filing Date: Jul. 17, 2015; Container for Food Processing System; Notification Date: Dec. 4, 2015; 11 Pages.  
 Non-Final Office Action; U.S. Appl. No. 14/802,706; Filing Date: filed Jul. 17, 2015; Container for Food Processing System; Notification Date: Oct. 12, 2016; 12 Pages.  
 Notice of Allowance; Japanese Design Application No. 2016-000591; Mailing Date: Jul. 22, 2016; 2 Pages.  
 Notice of Allowance; U.S. Appl. No. 14/802,706; Filing Date: Jul. 17, 2015; Container for Food Processing System; Notification Date: Jul. 8, 2016; 7 Pages.  
 Notice of References; Japanese Design Application No. 2016-000591; Decided On: Jul. 19, 2016; 4 Pages.  
 Notice of the Preliminary Rejection; Korean Application No. 3020160001832; Date of Issue: May 23, 2016; 2 Pages.  
 Requirement for Restriction/Election; U.S. Appl. No. 14/802,706; Filing Date: Jul. 17, 2015; Container for Food Processing System; Notification Date: Sep. 29, 2015; 6 Pages.  
 Sugico Parts Catalogue; JPO Publicly Known Design No. HC18022081; No. 05P; 3 Pages.  
 Written Opinion of the International Searching Authority; International Application No. PCT/US2016/016083; International Filing Date: Feb. 2, 2016; Date of Mailing: Jul. 21, 2016; 9 Pages.

\* cited by examiner



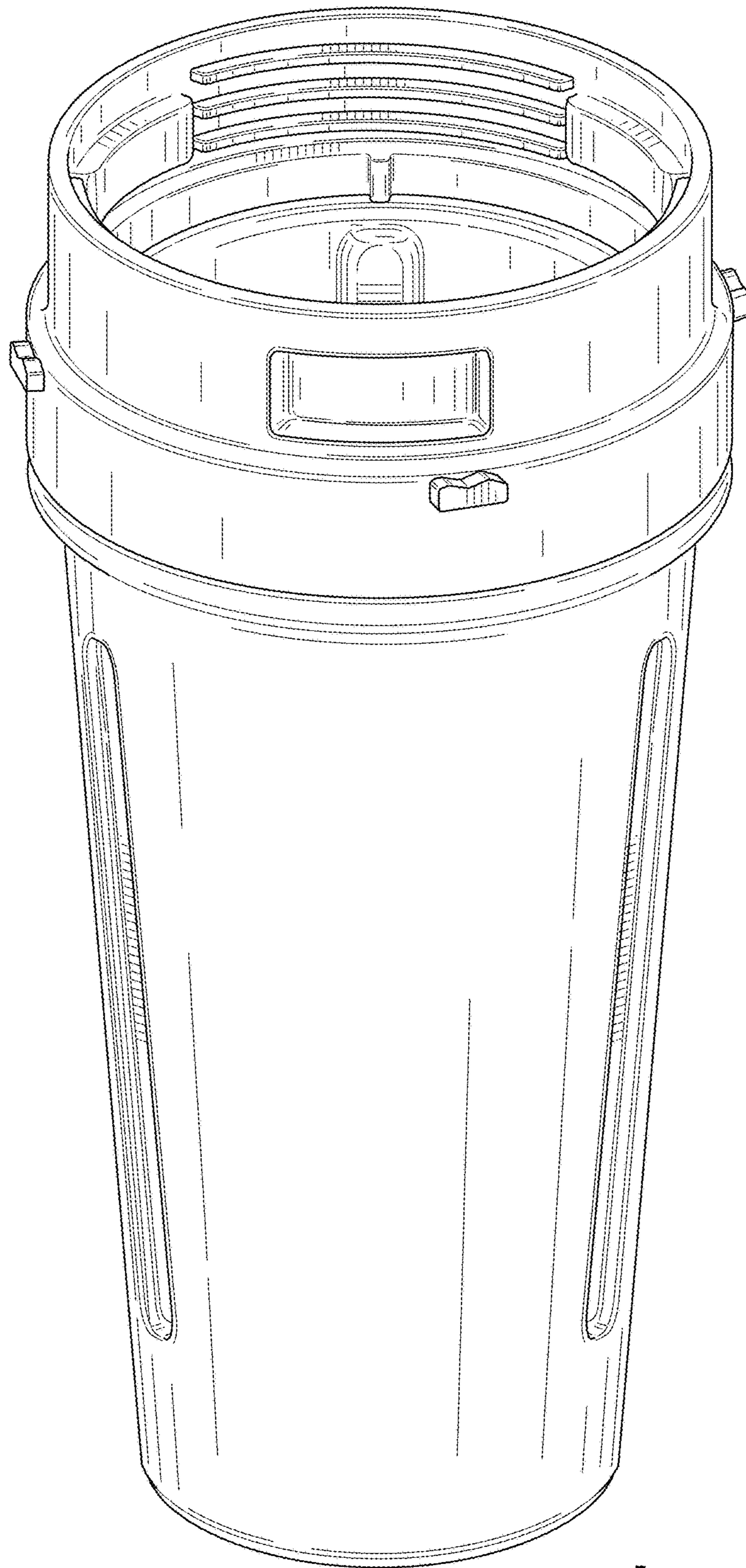


FIG. 1

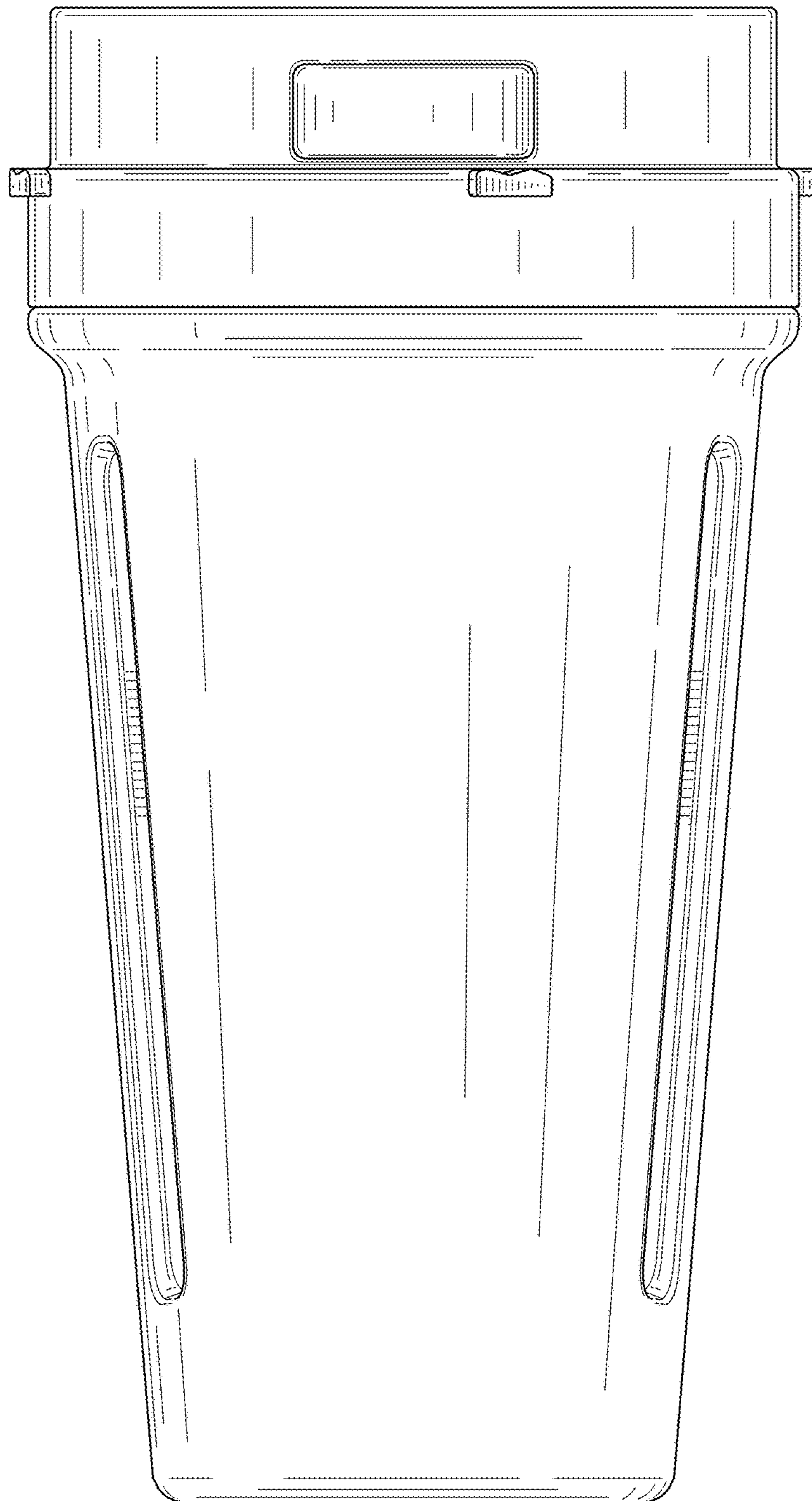


FIG. 2

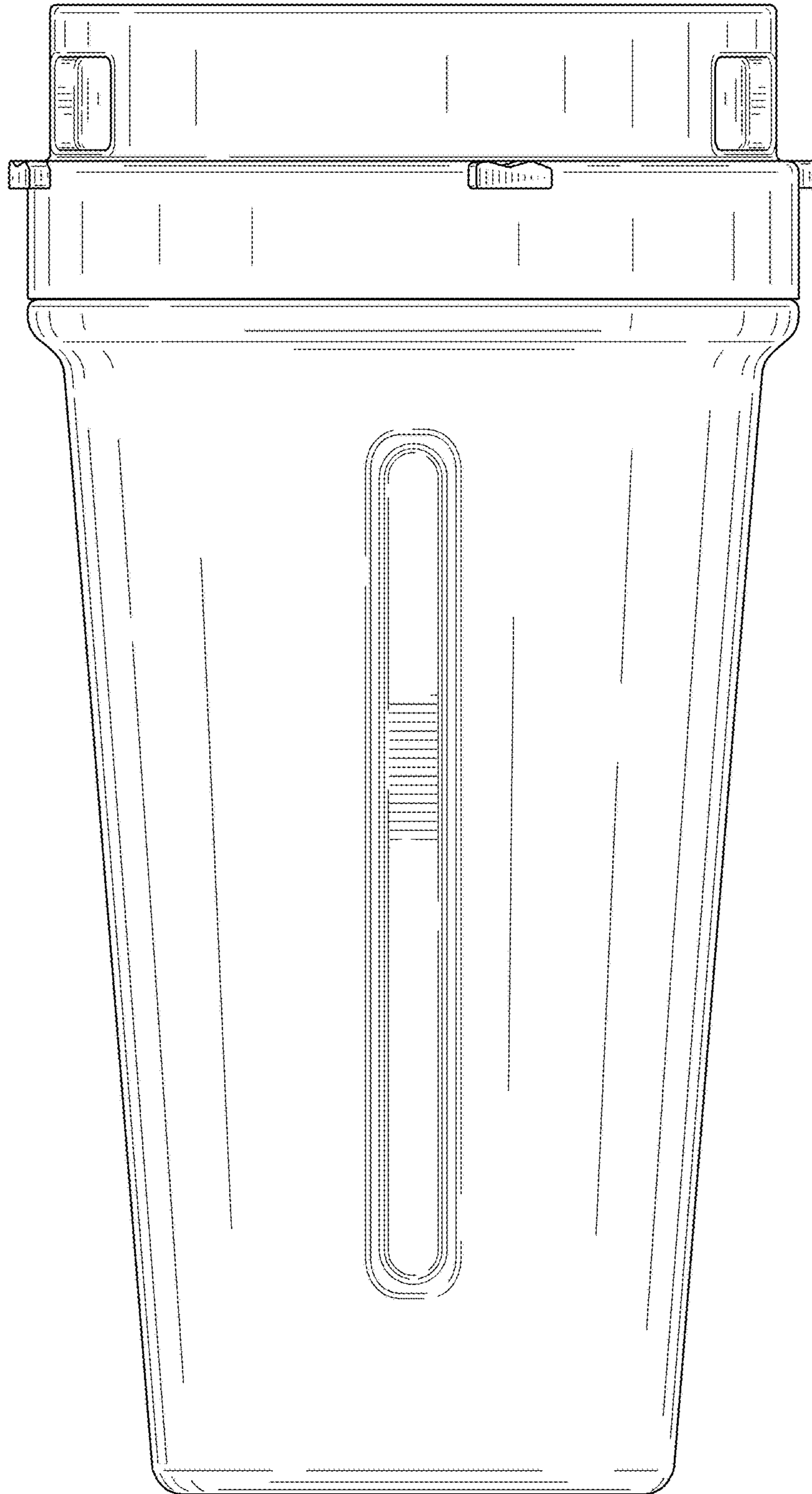


FIG. 3

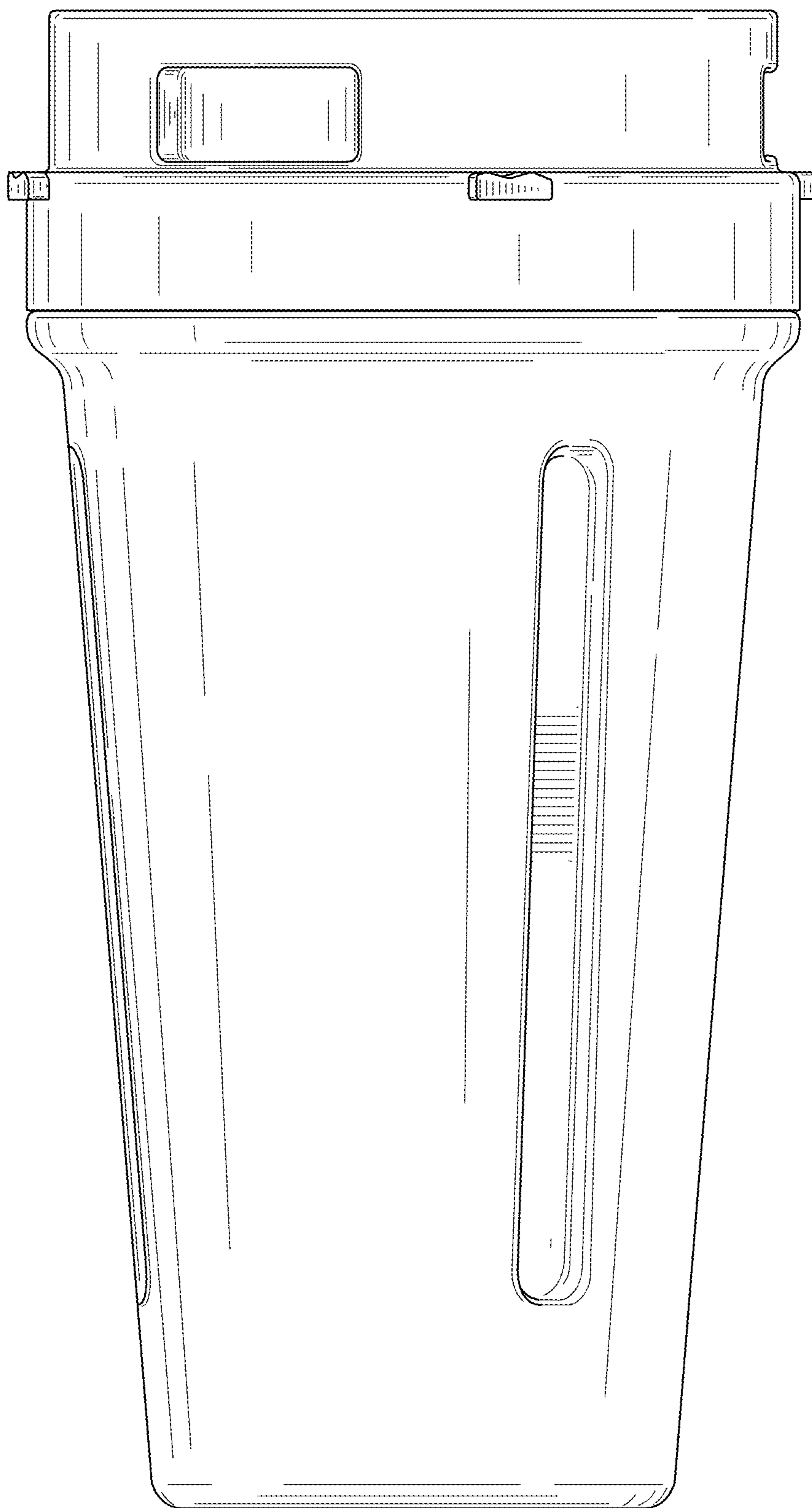


FIG. 4



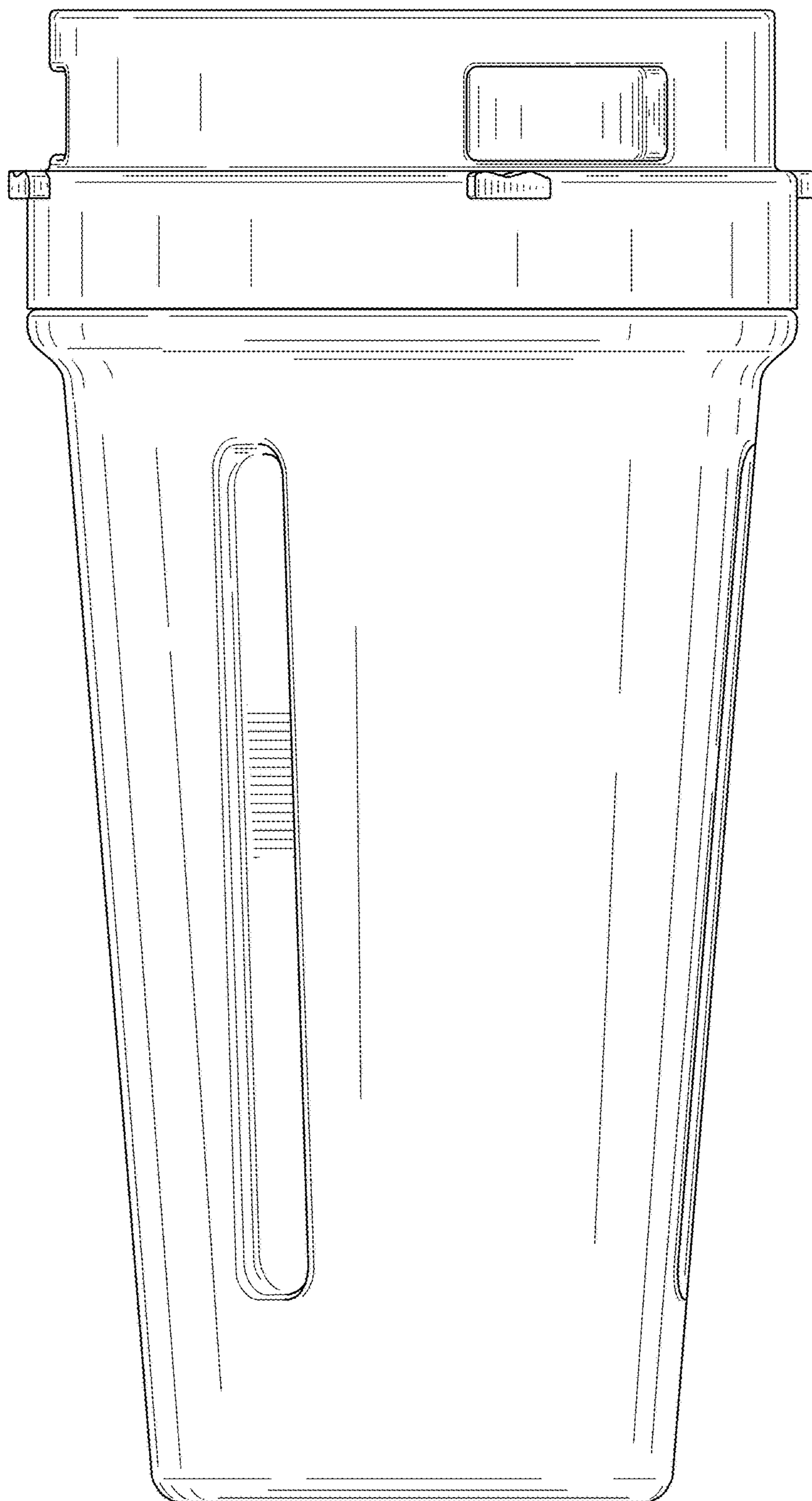


FIG. 5

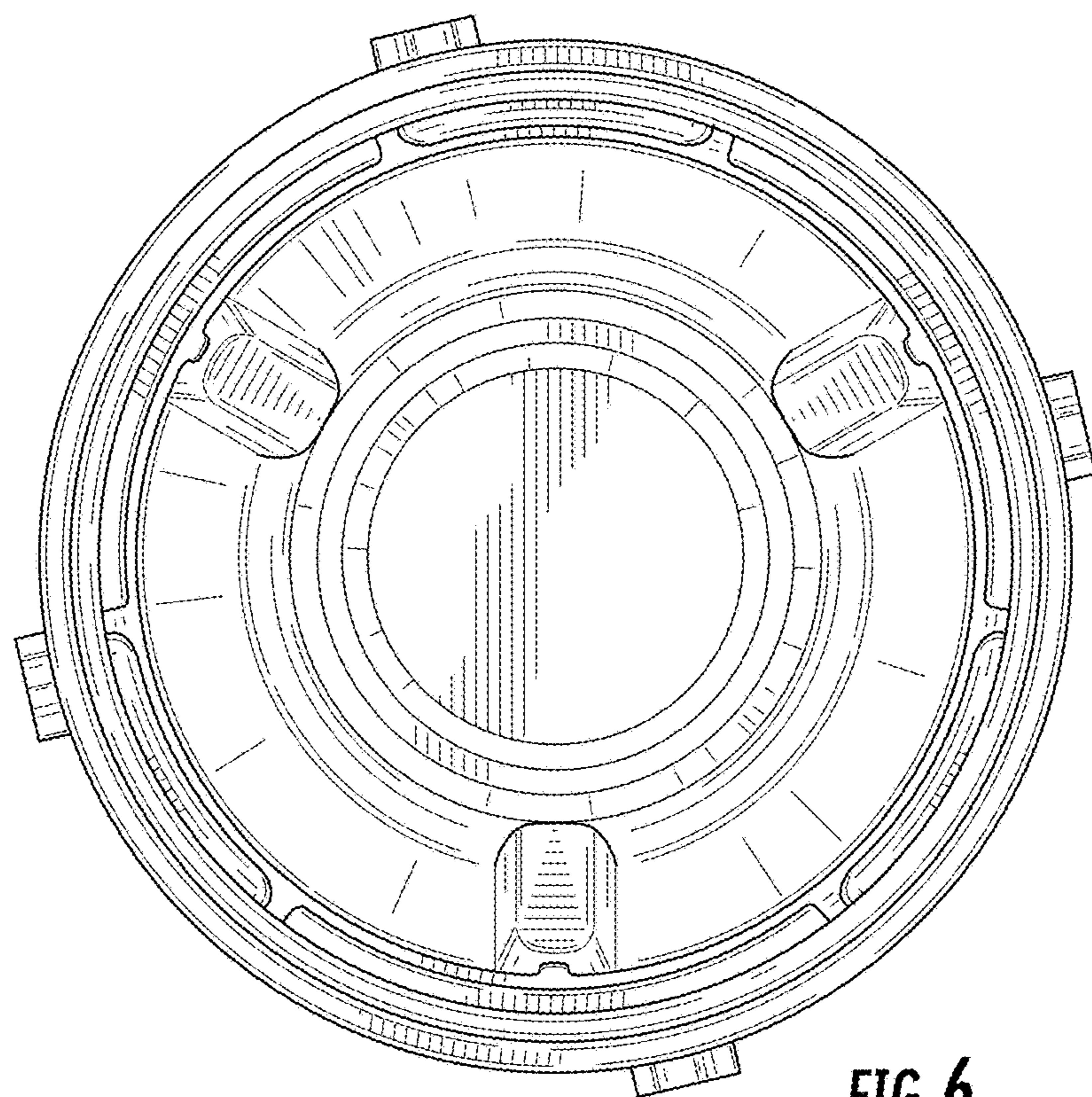


FIG. 6

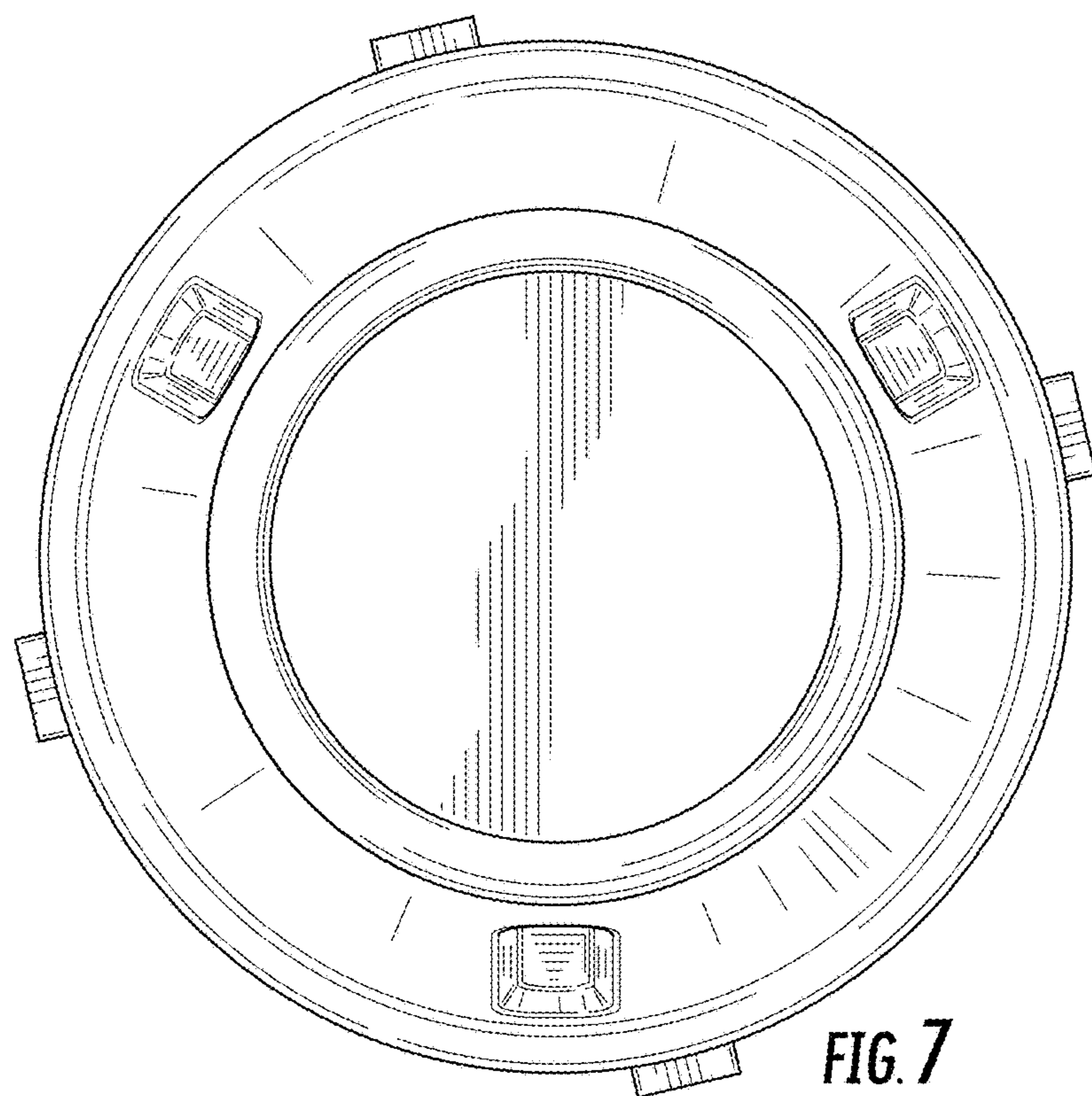
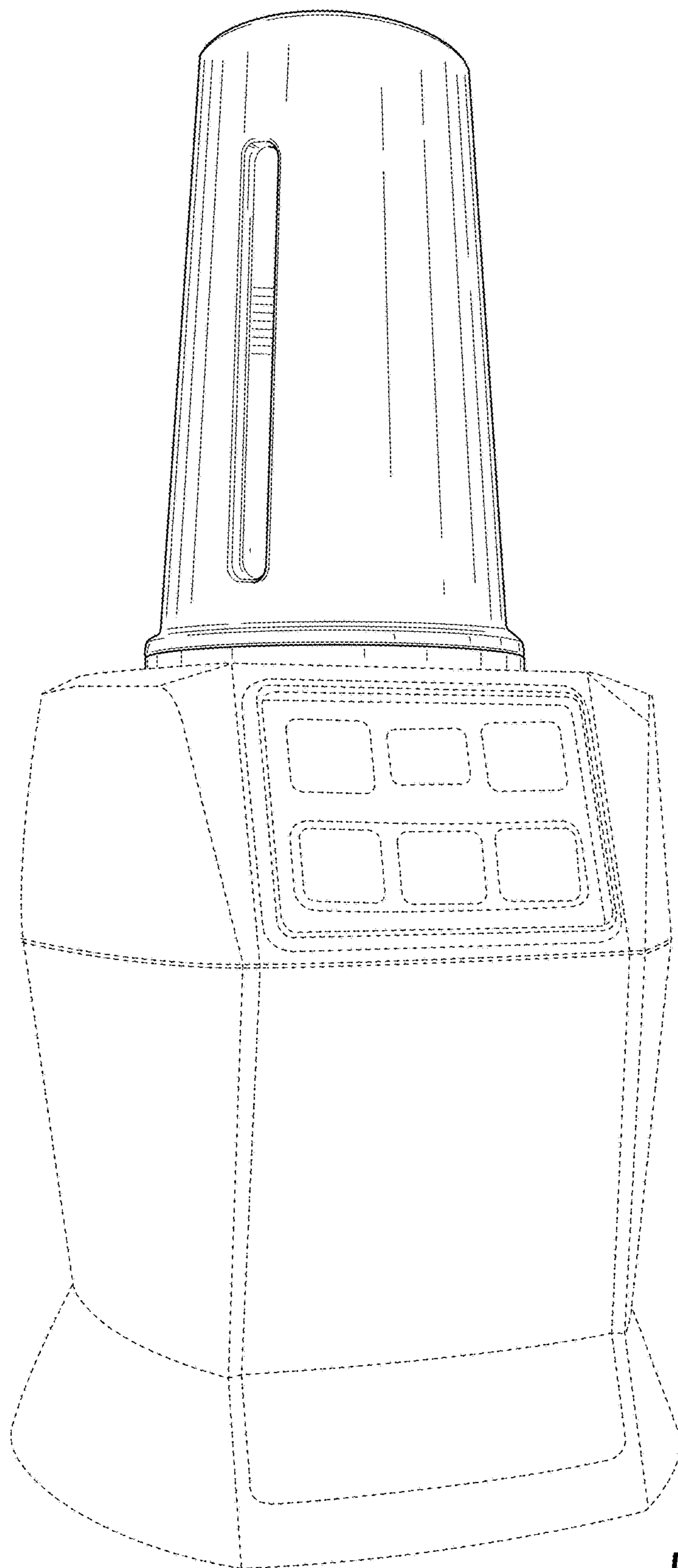


FIG. 7





**FIG. 8**

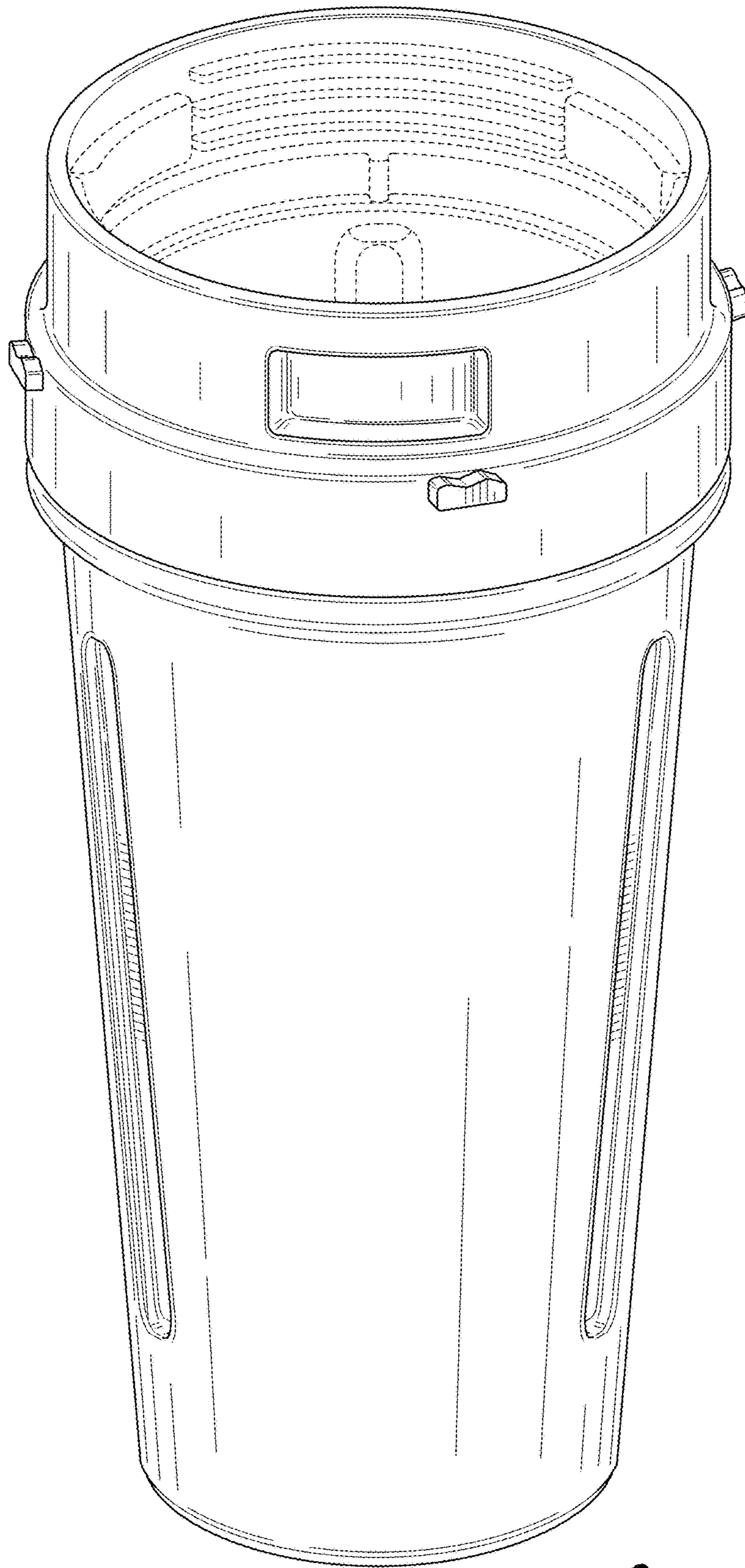


FIG. 9

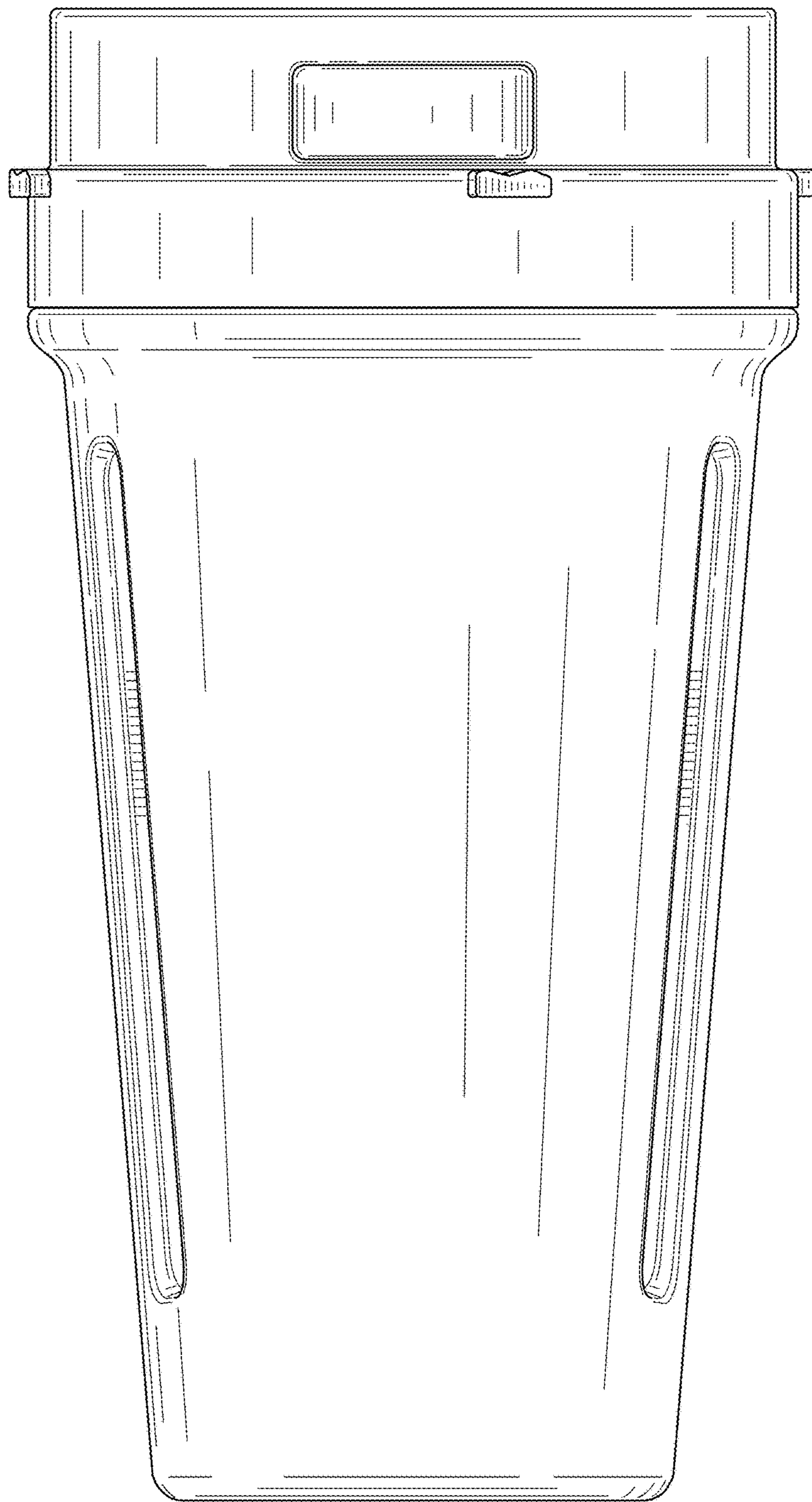


FIG. 10



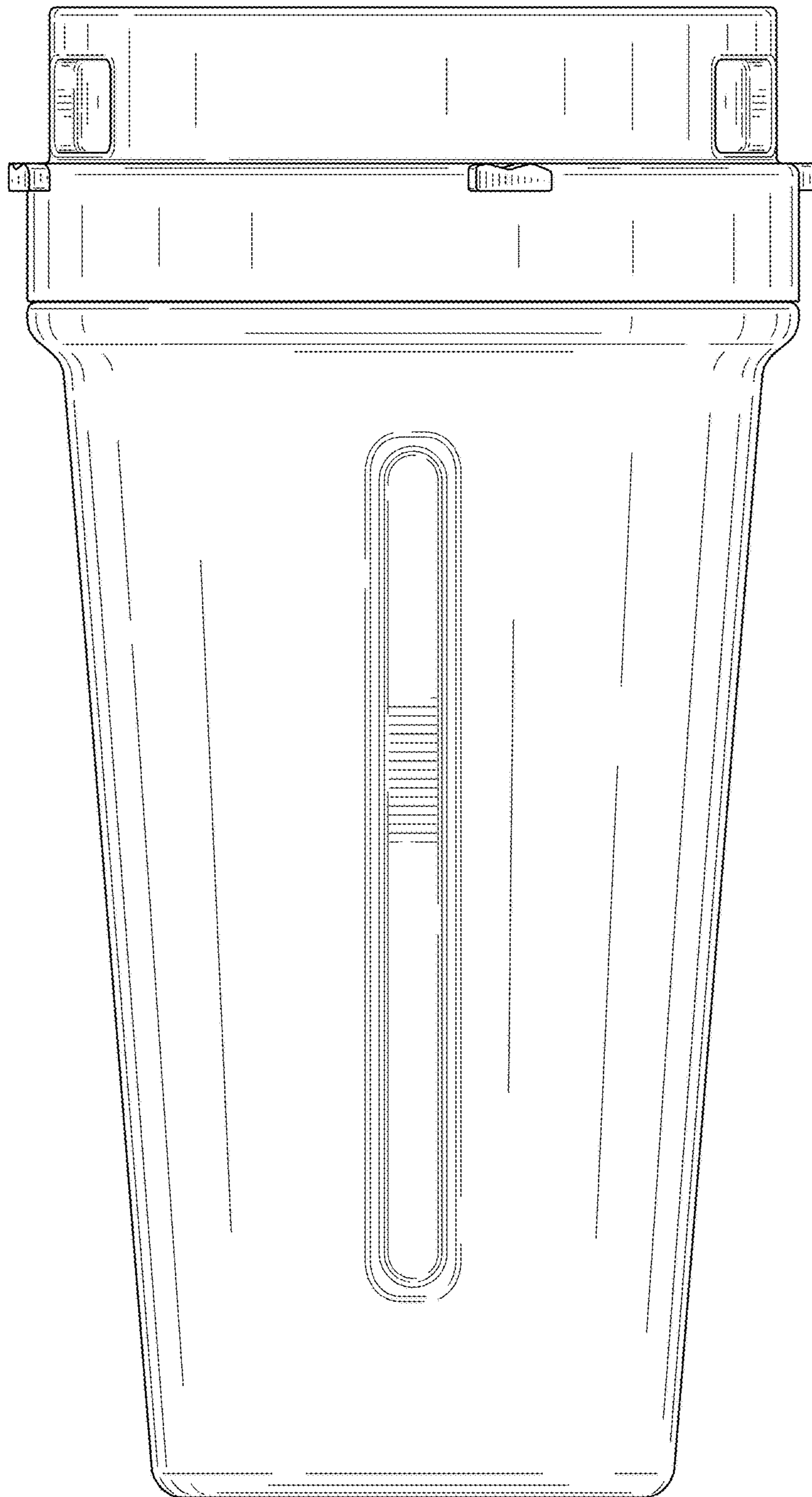


FIG. 11

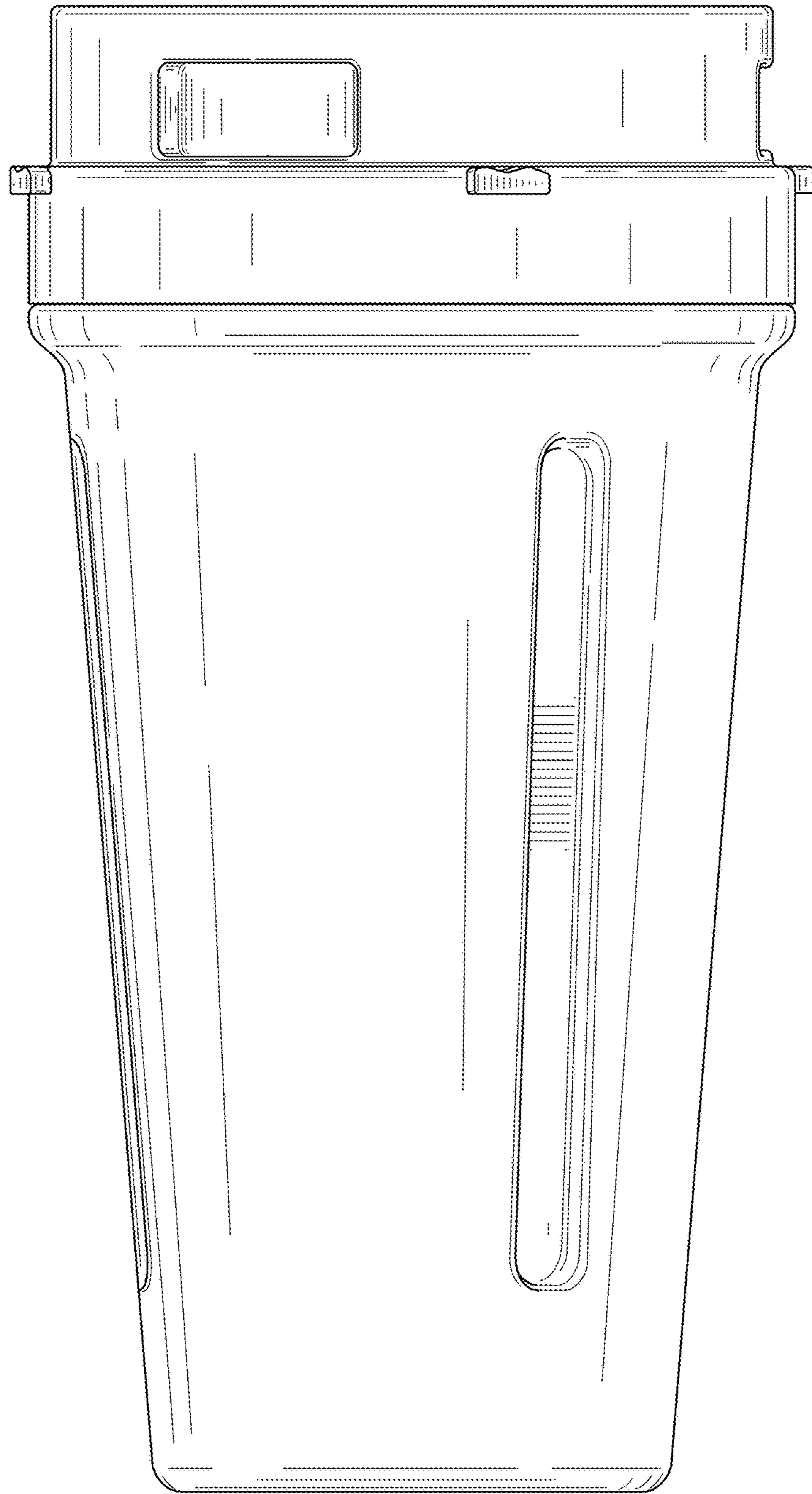
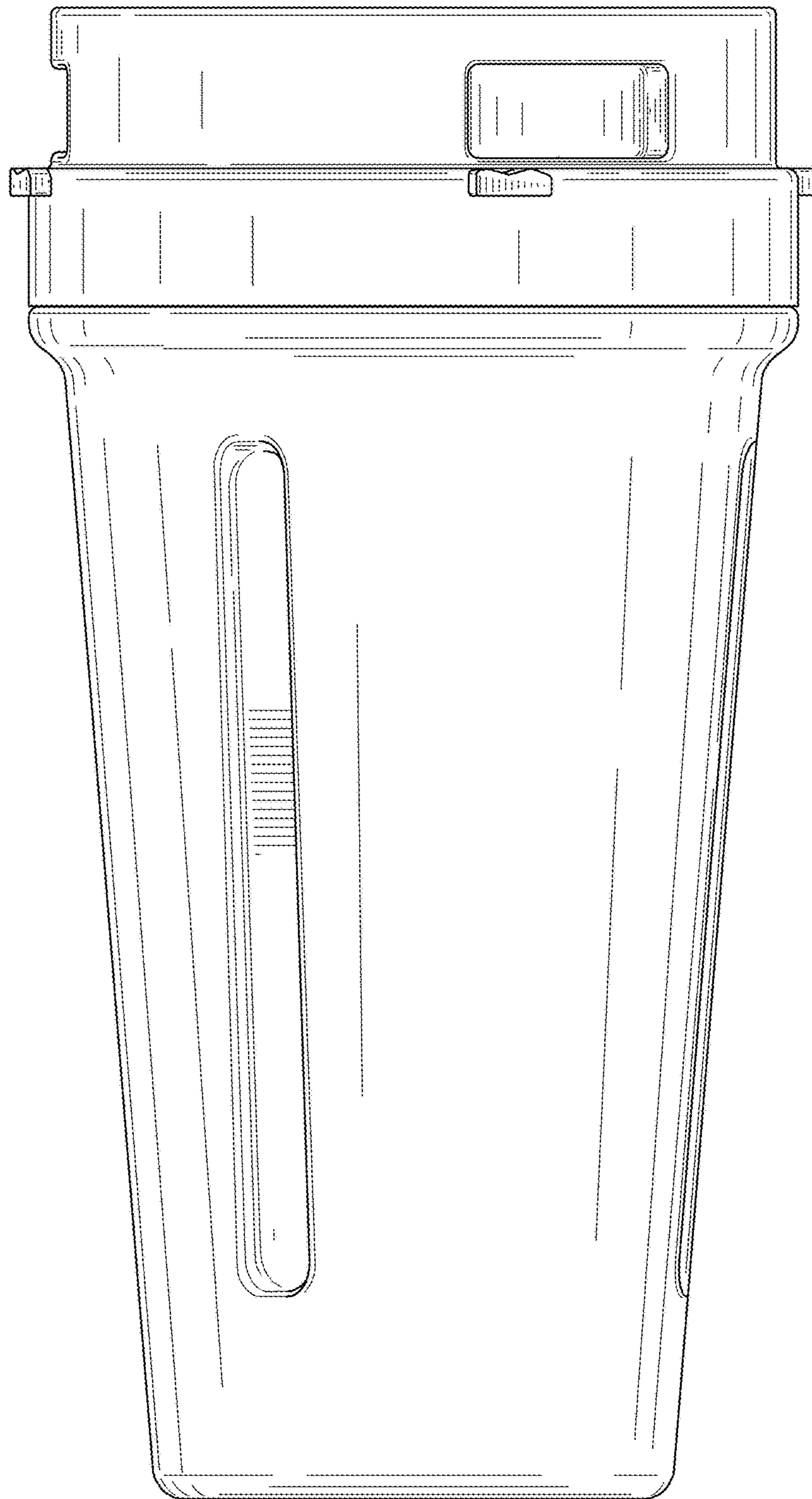


FIG. 12



**FIG. 13**



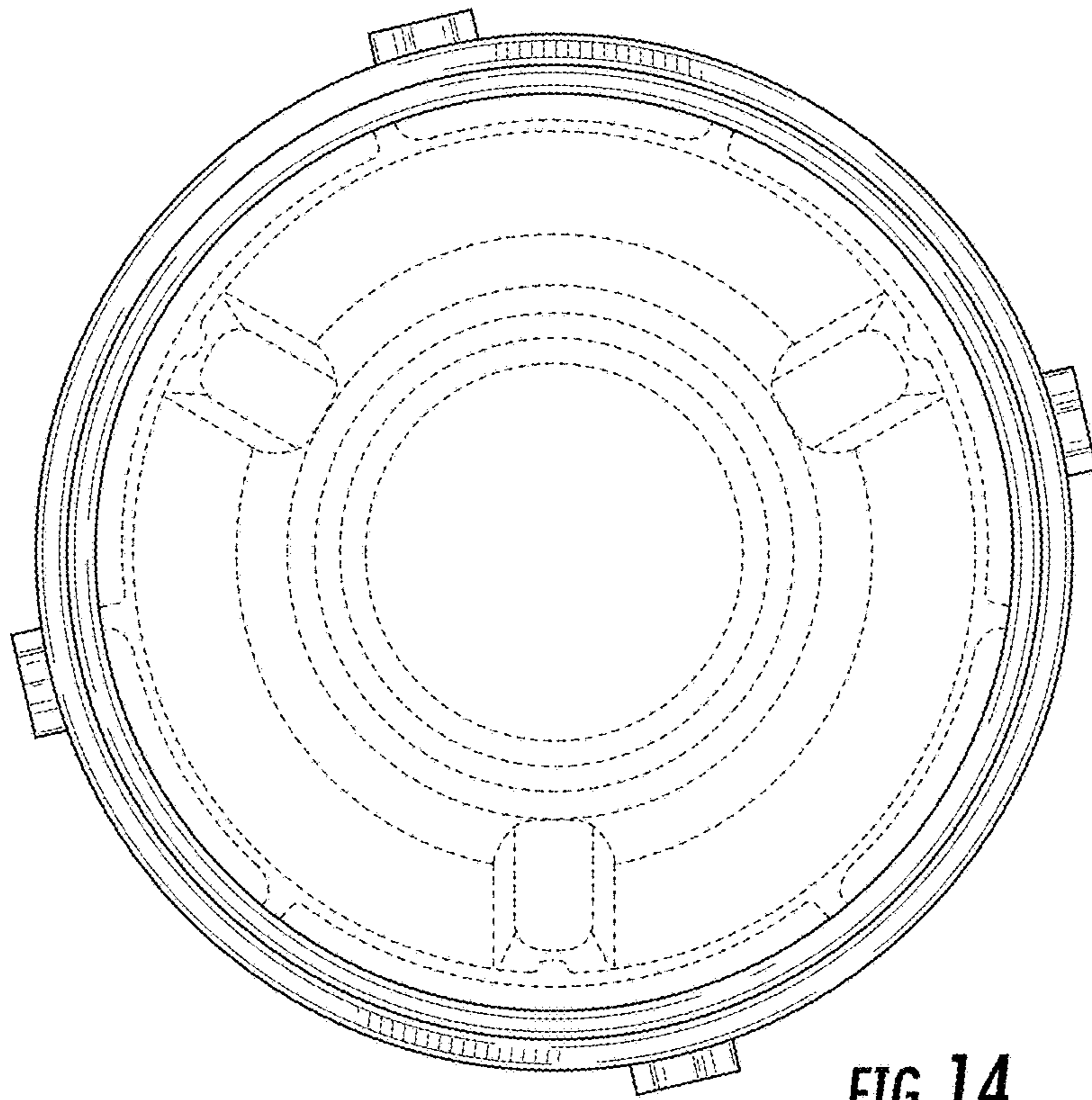


FIG. 14

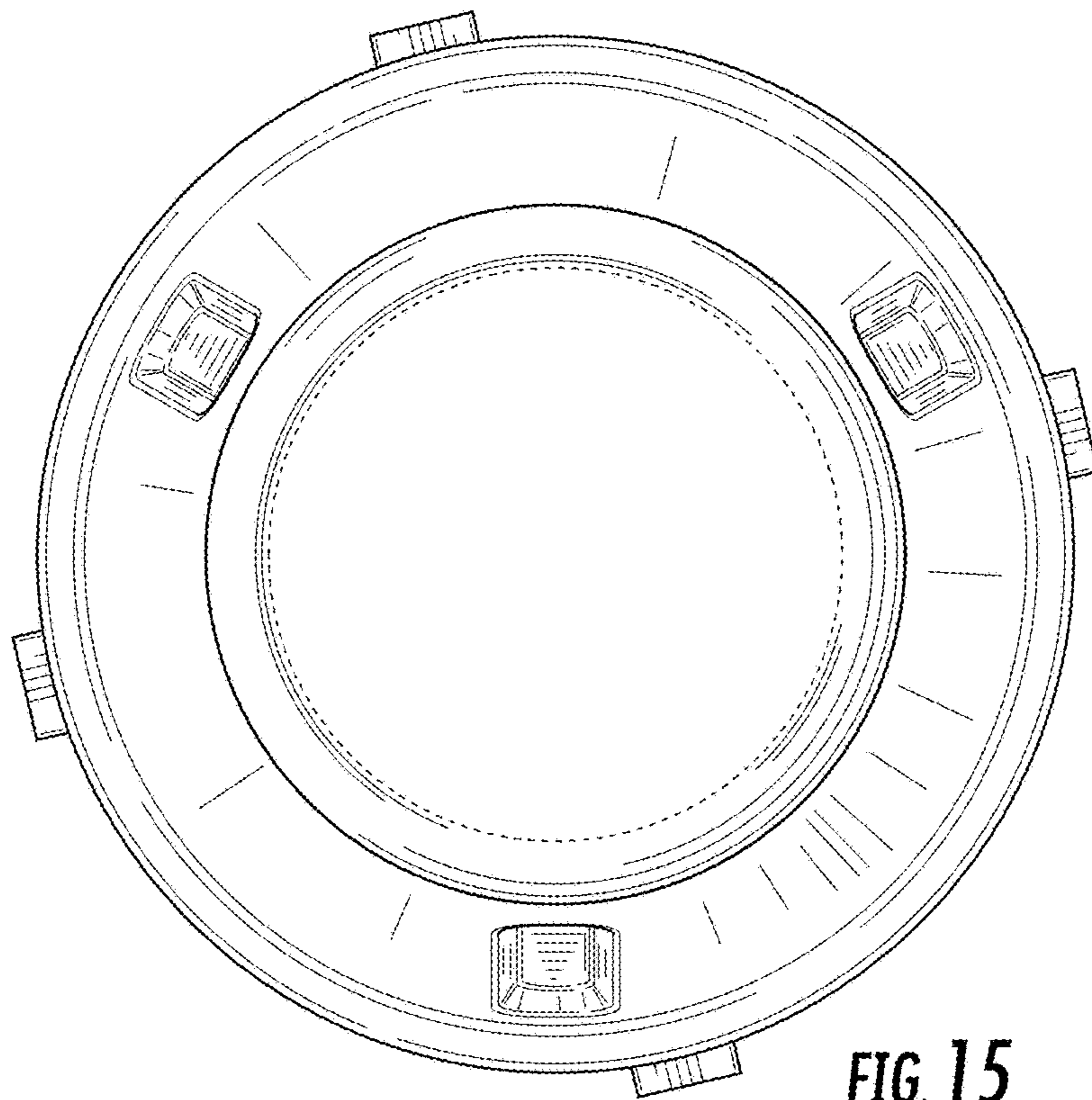


FIG. 15

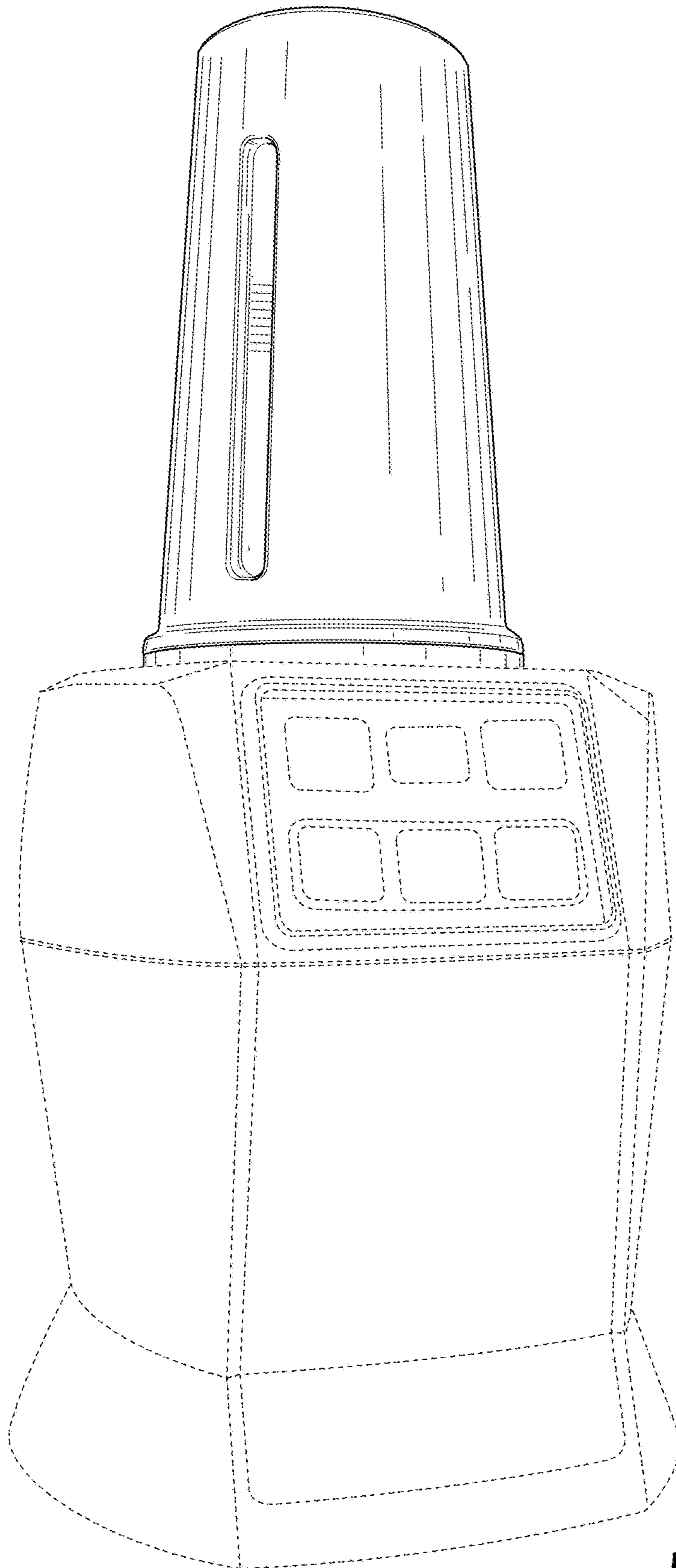


FIG. 16

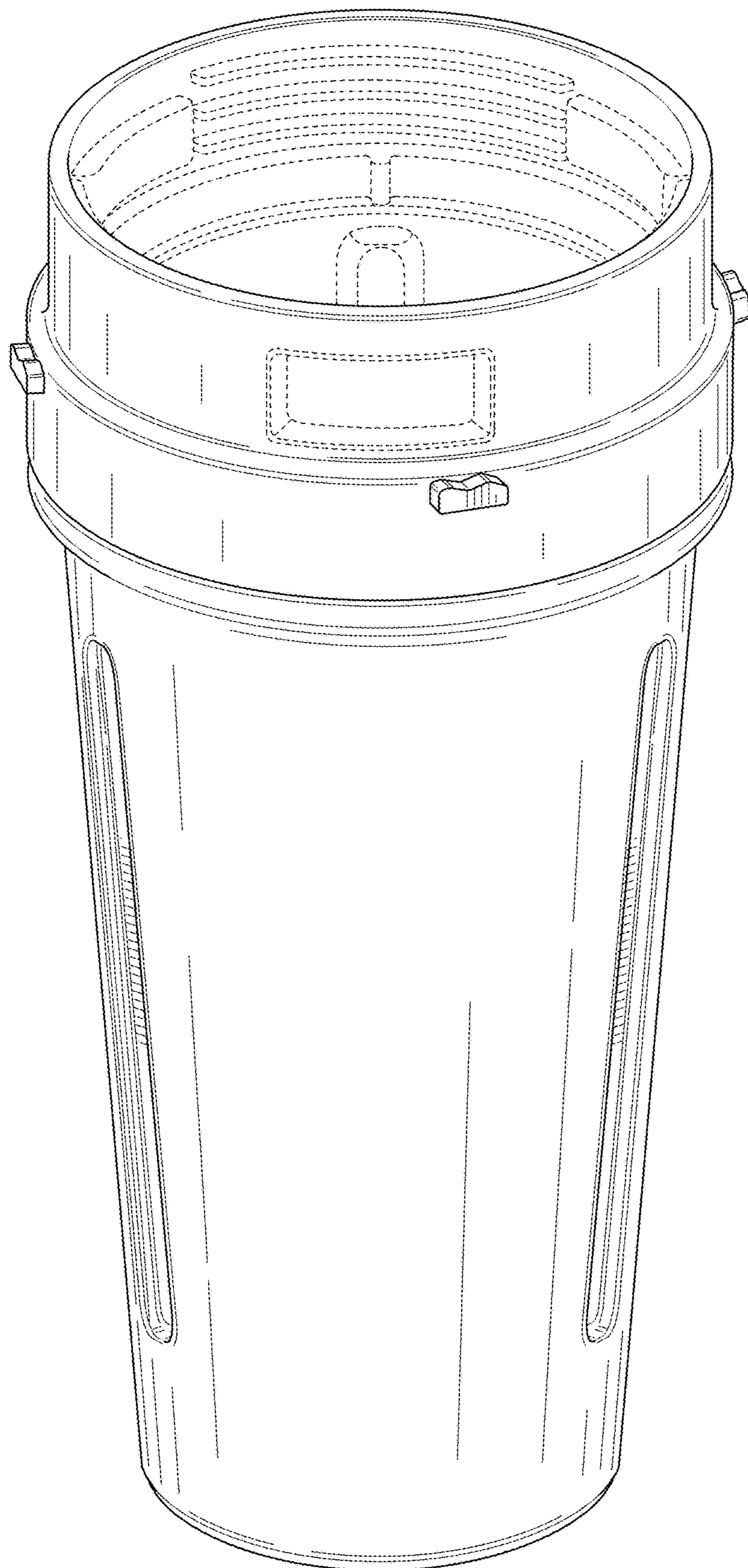


FIG. 17



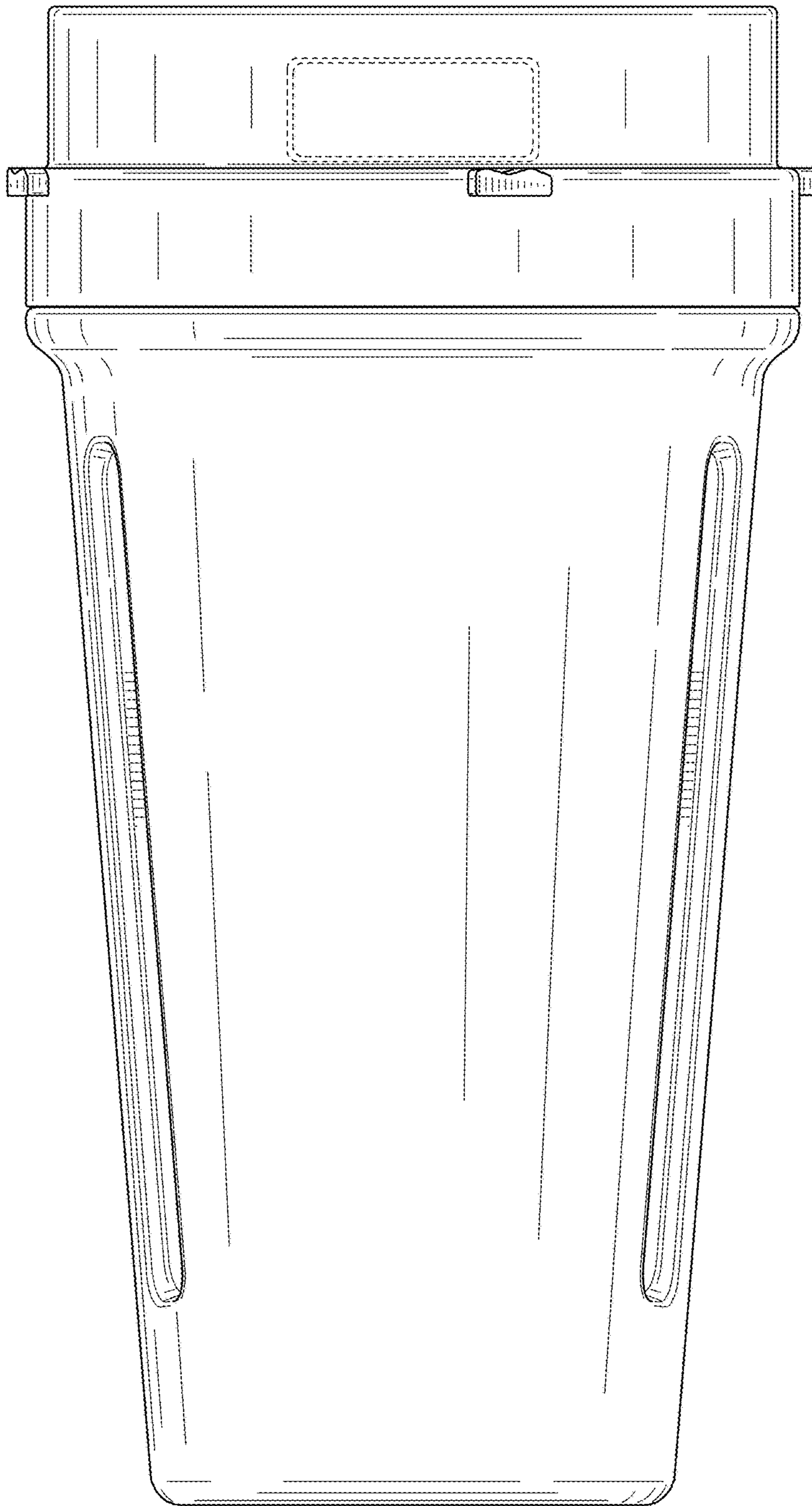


FIG. 18

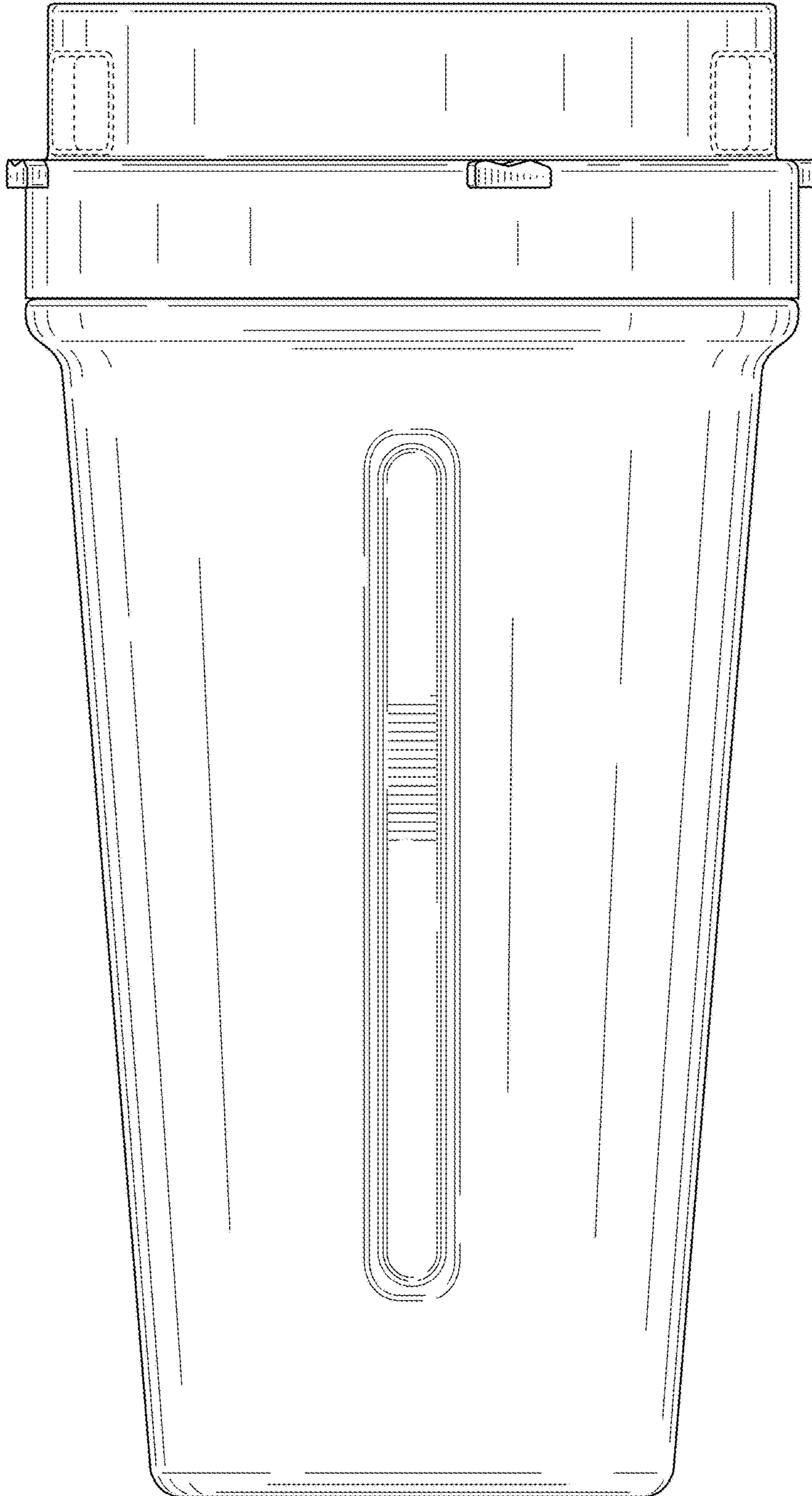


FIG. 19

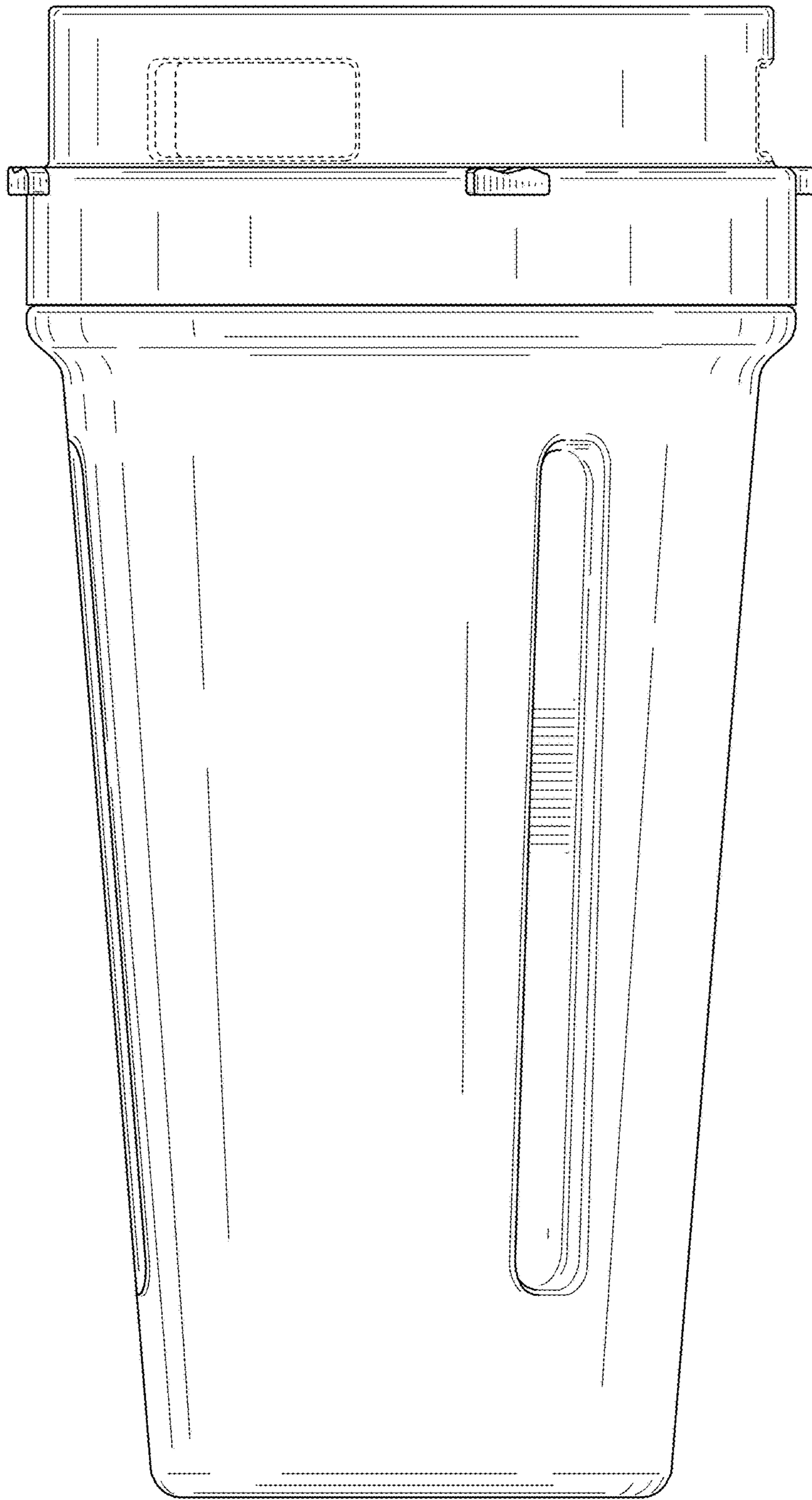


FIG. 20



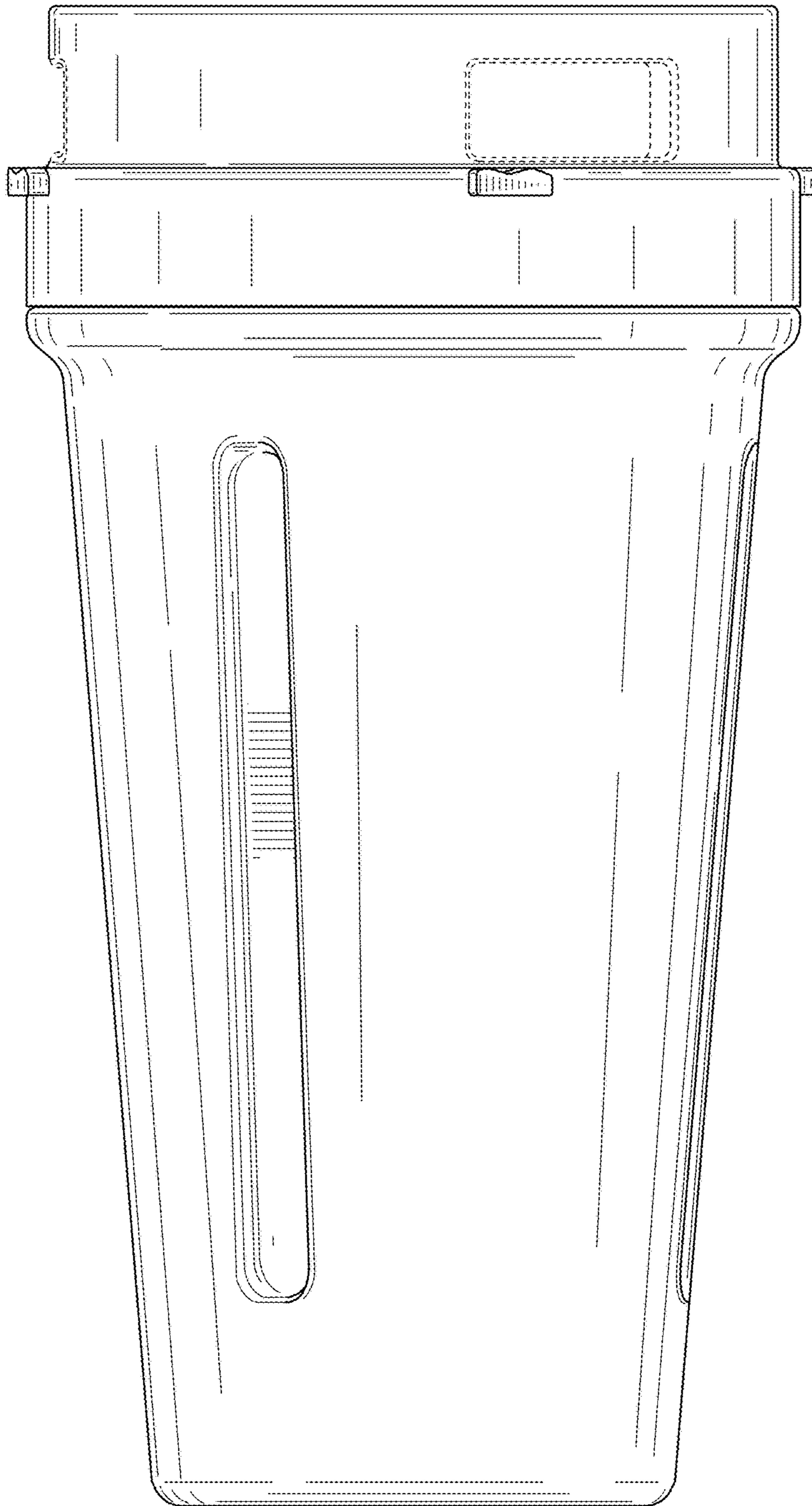


FIG. 21

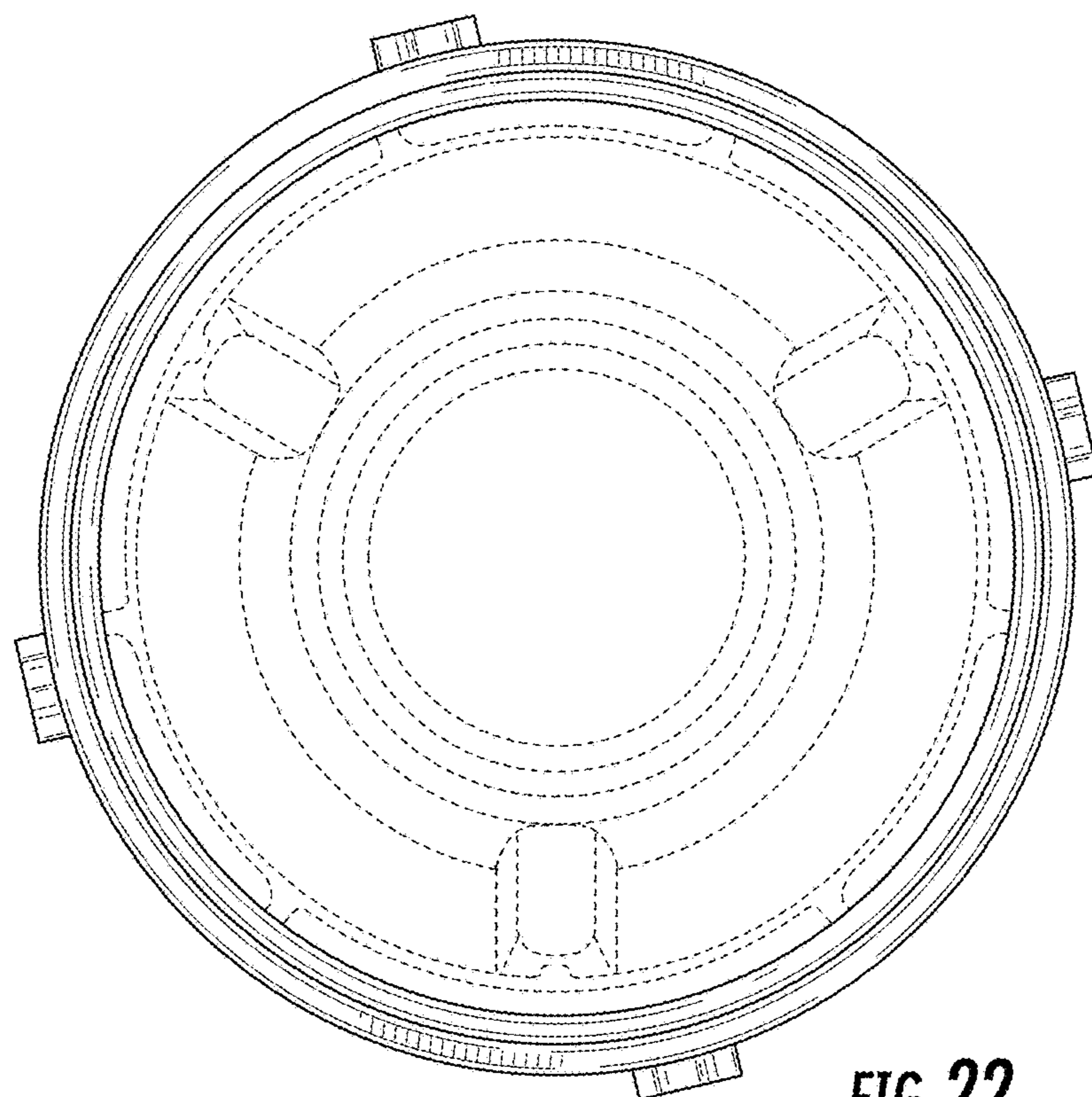


FIG. 22

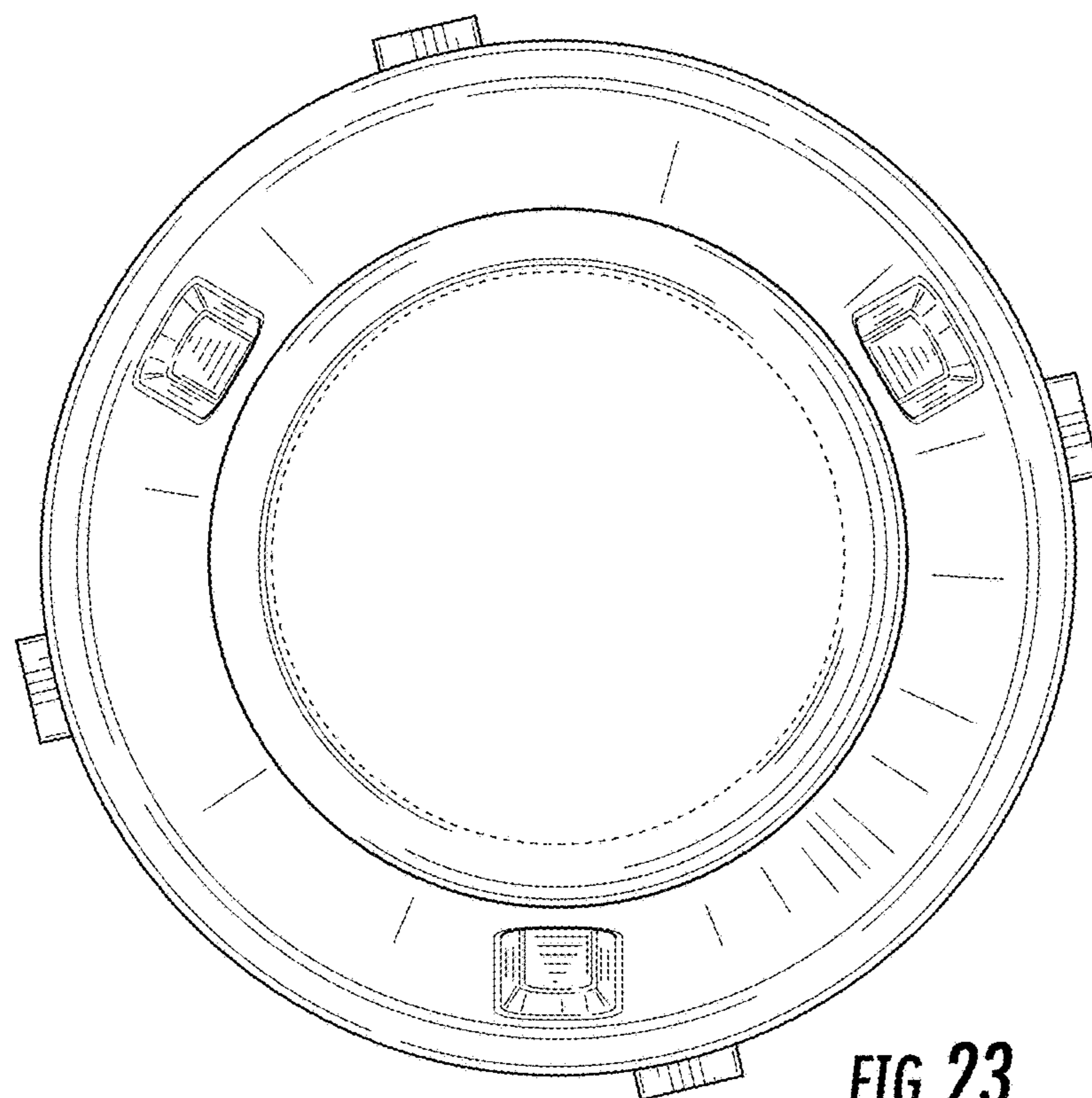


FIG. 23

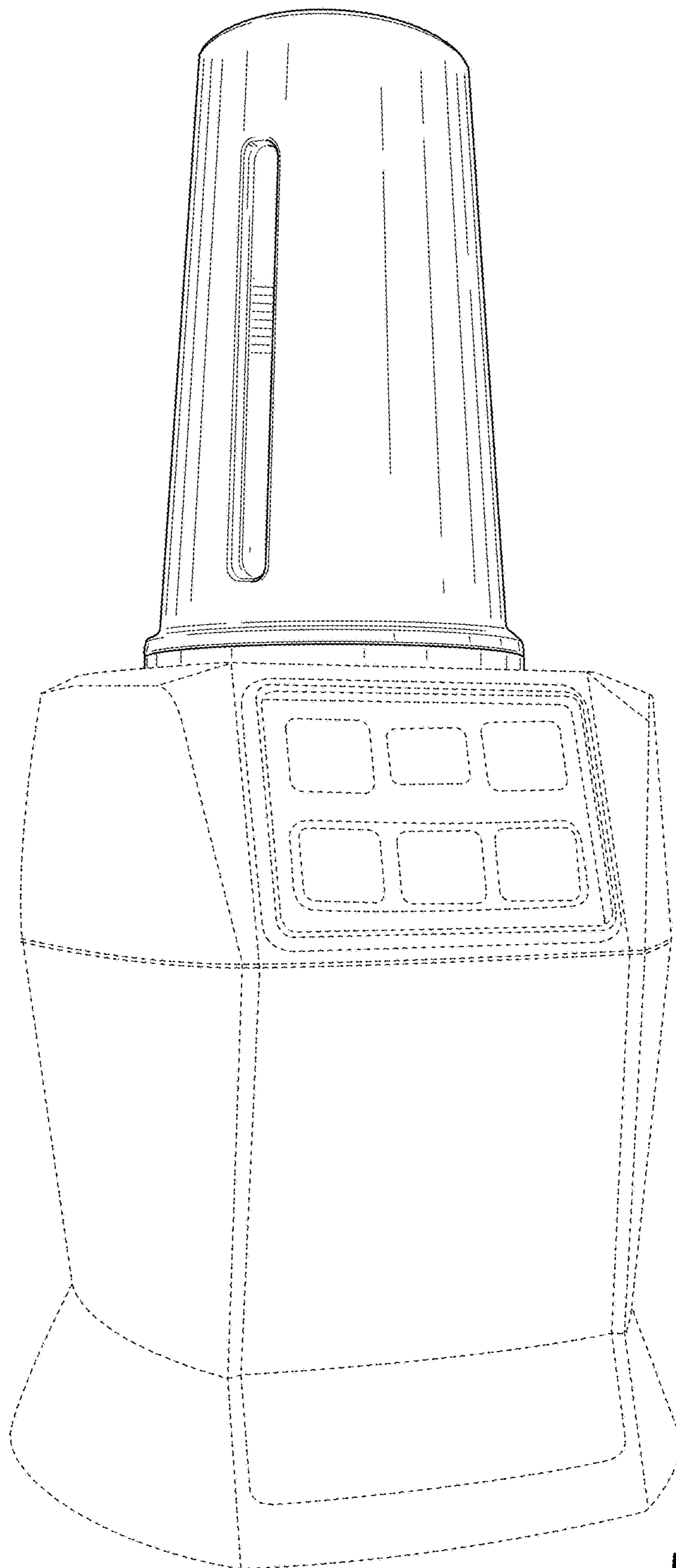


FIG. 24



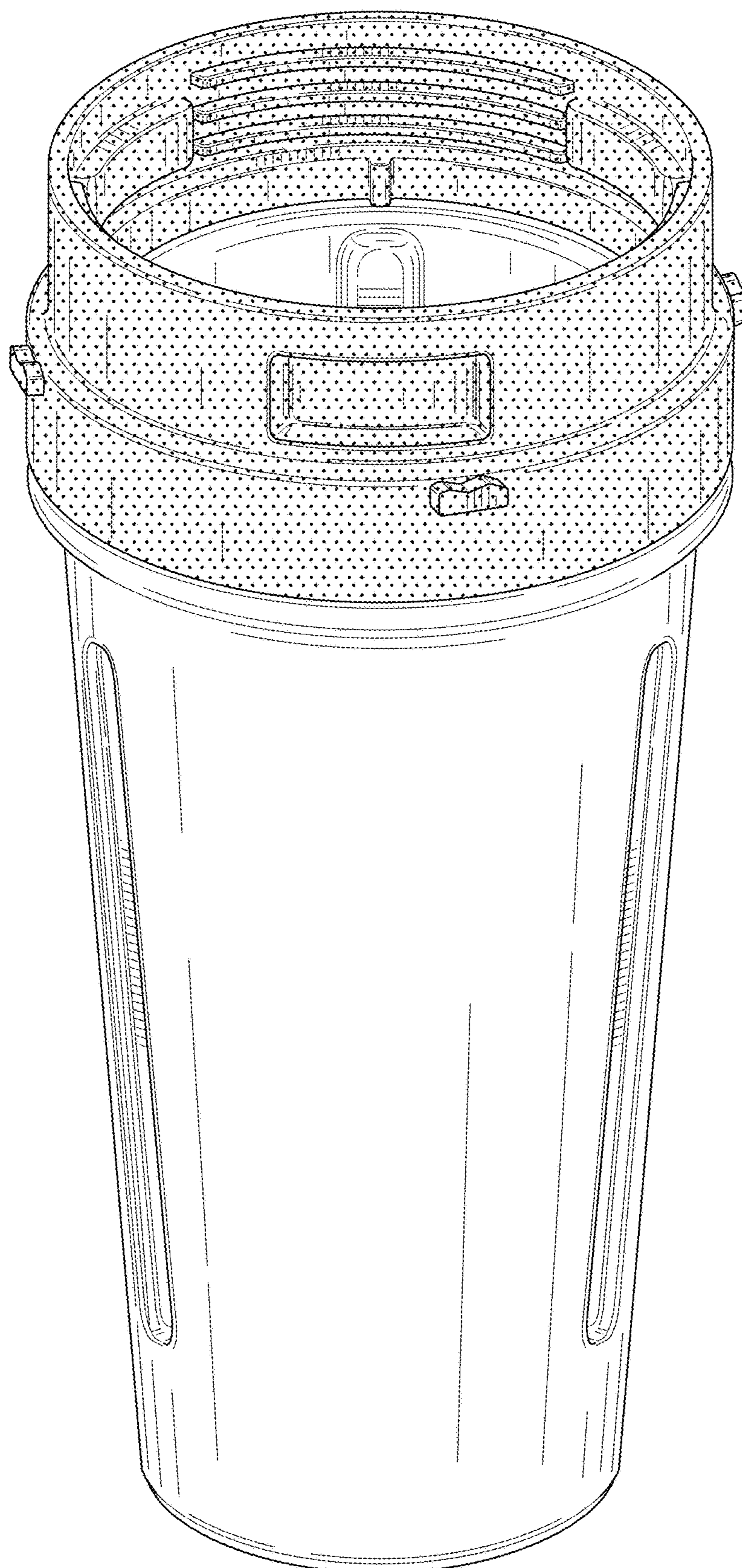


FIG. 25

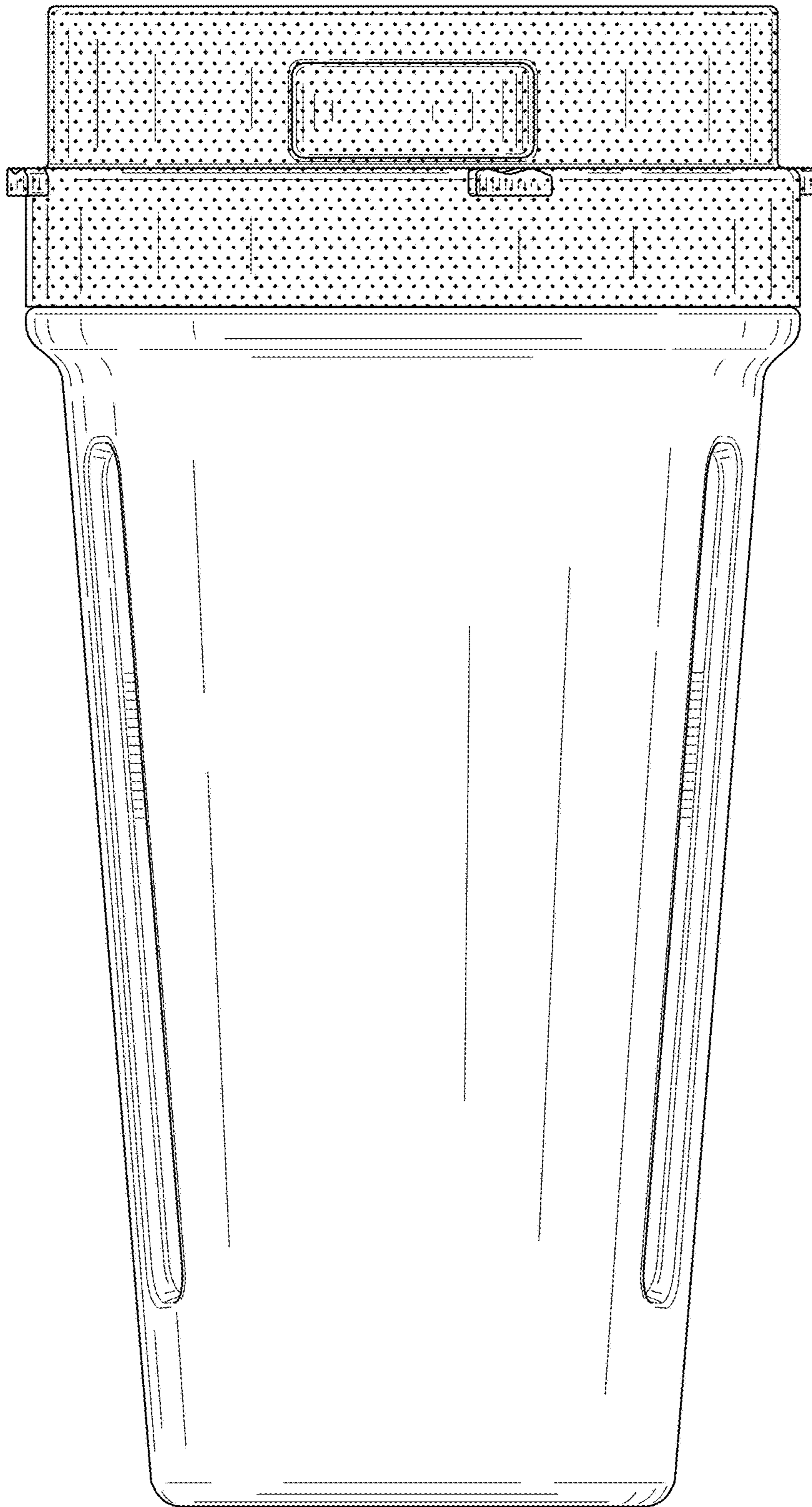


FIG. 26

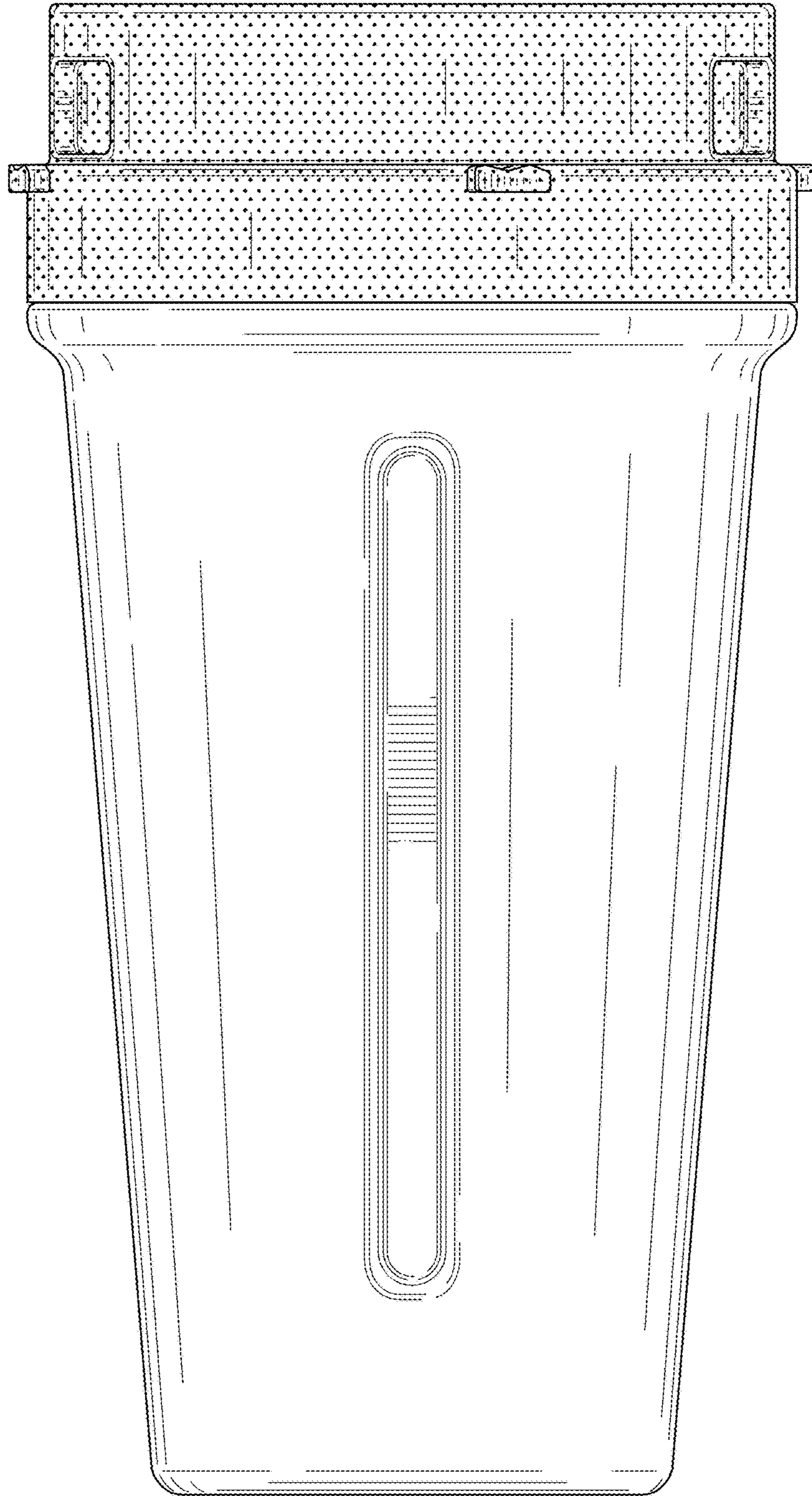


FIG. 27



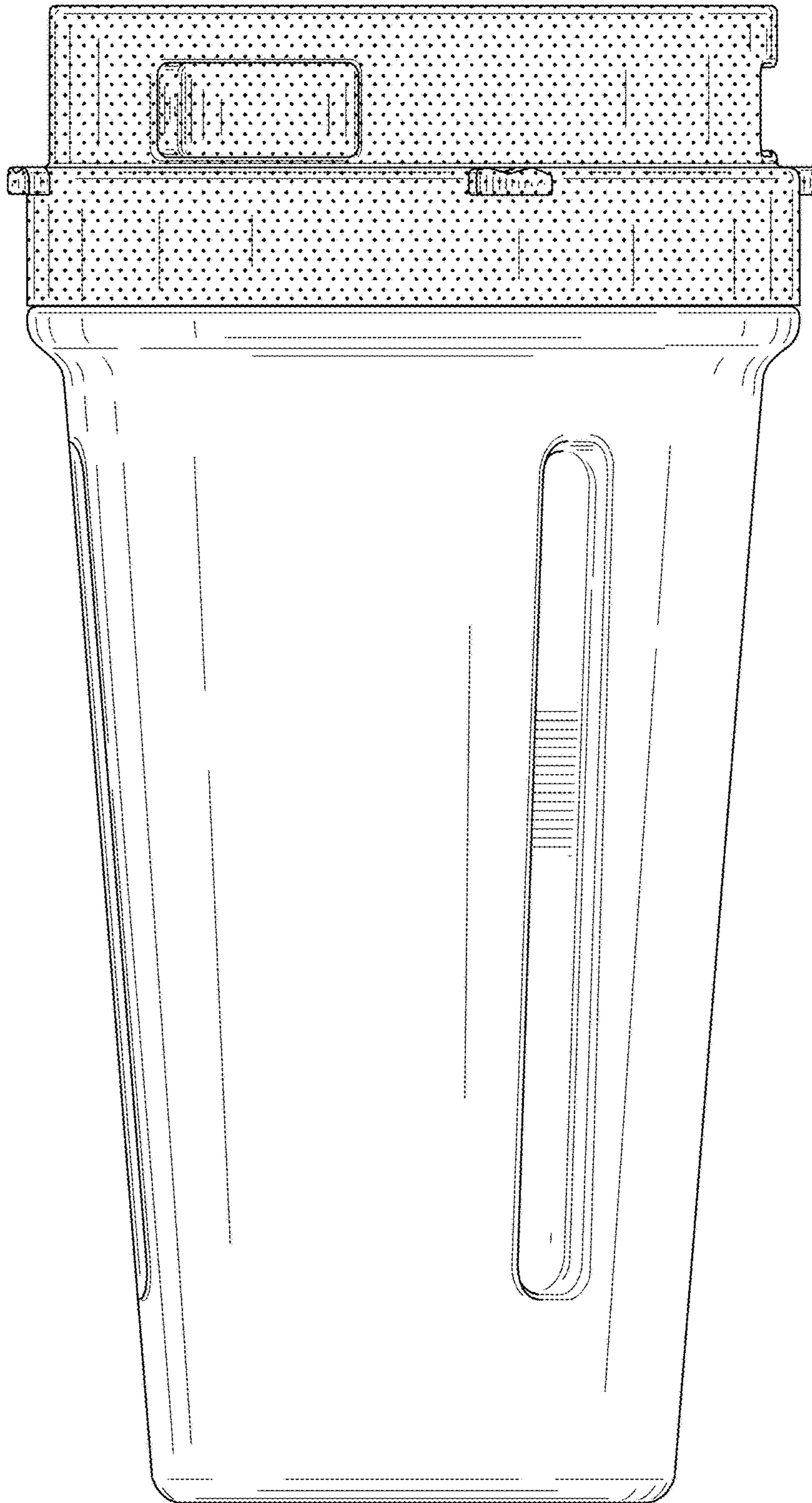


FIG. 28

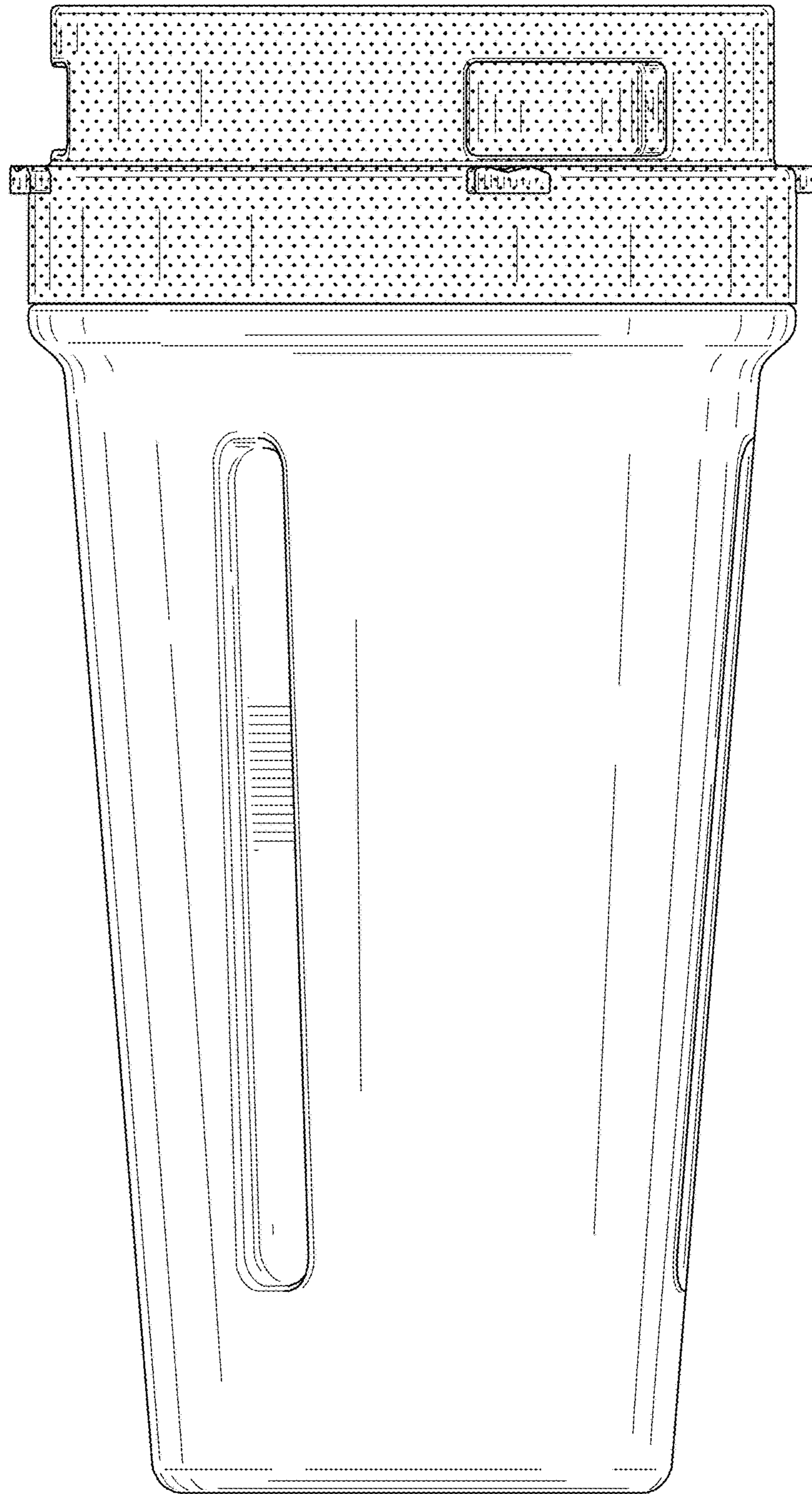


FIG. 29

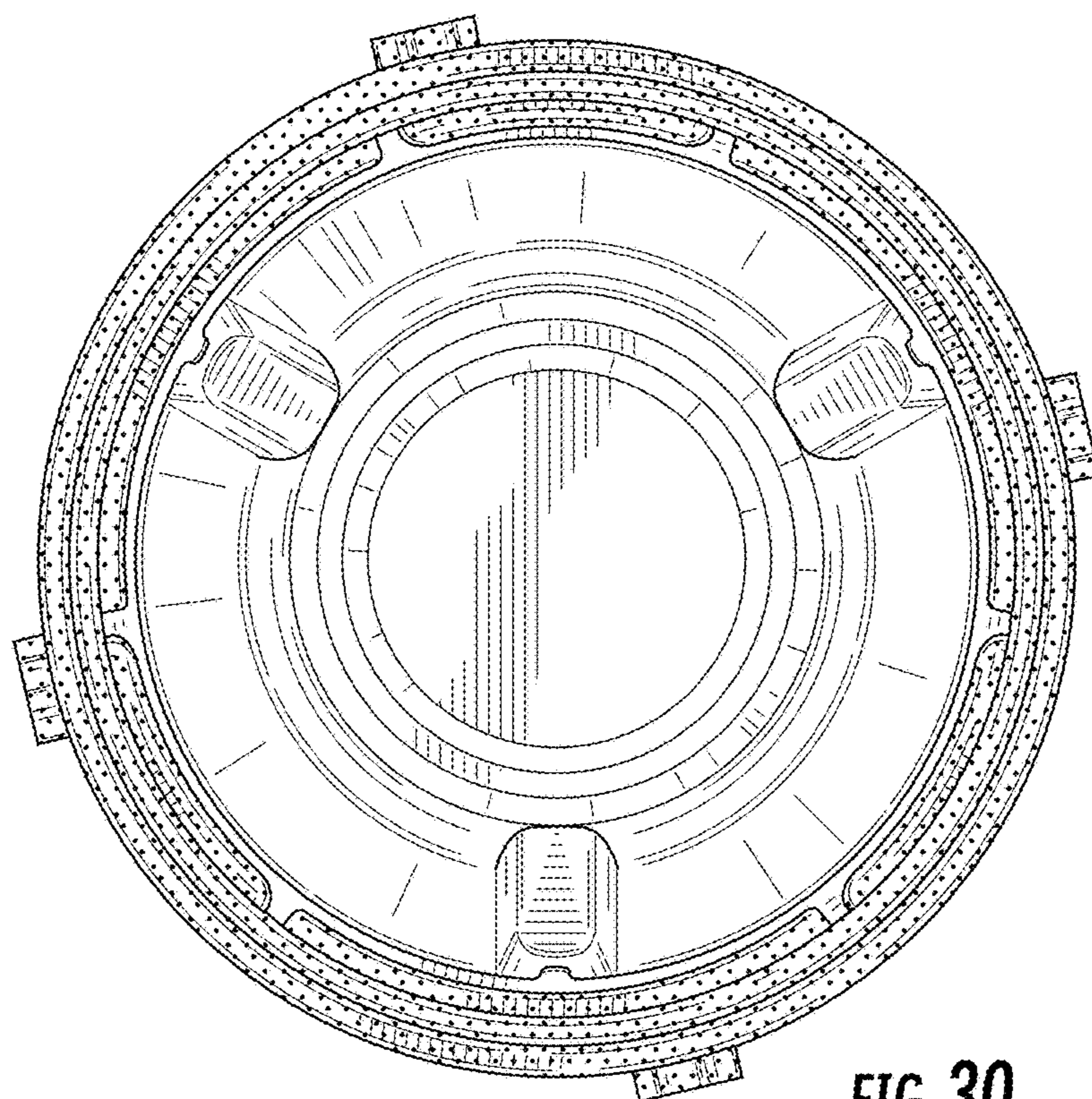


FIG. 30

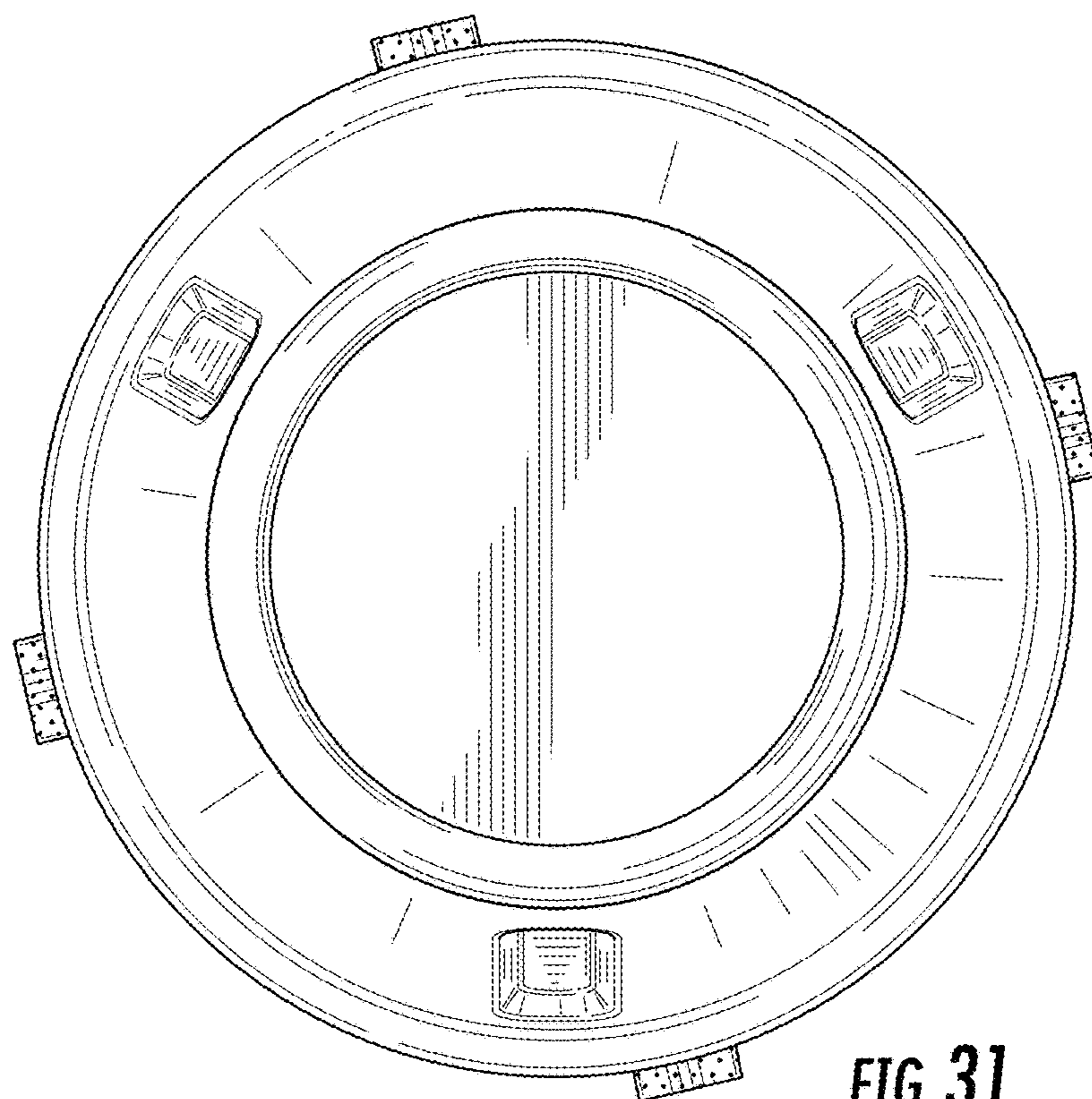


FIG. 31



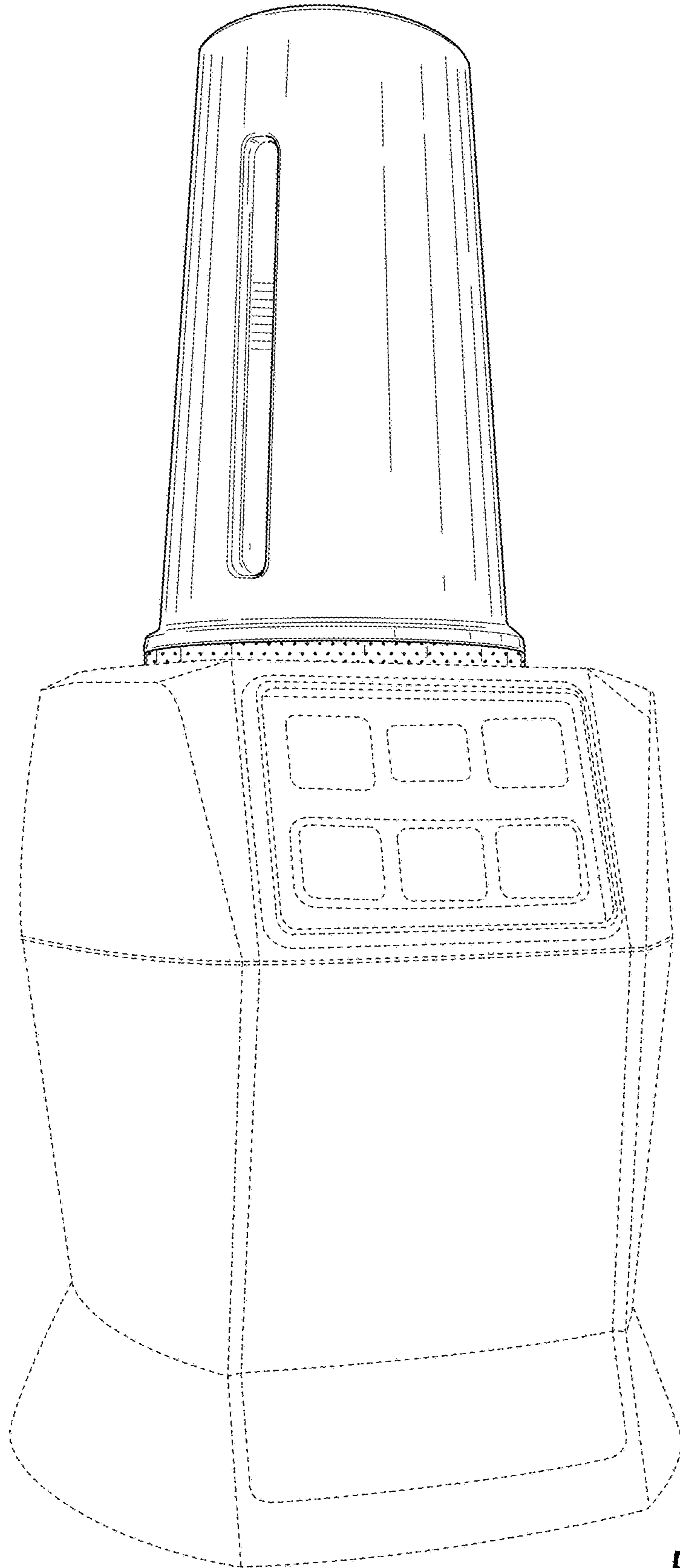


FIG. 32

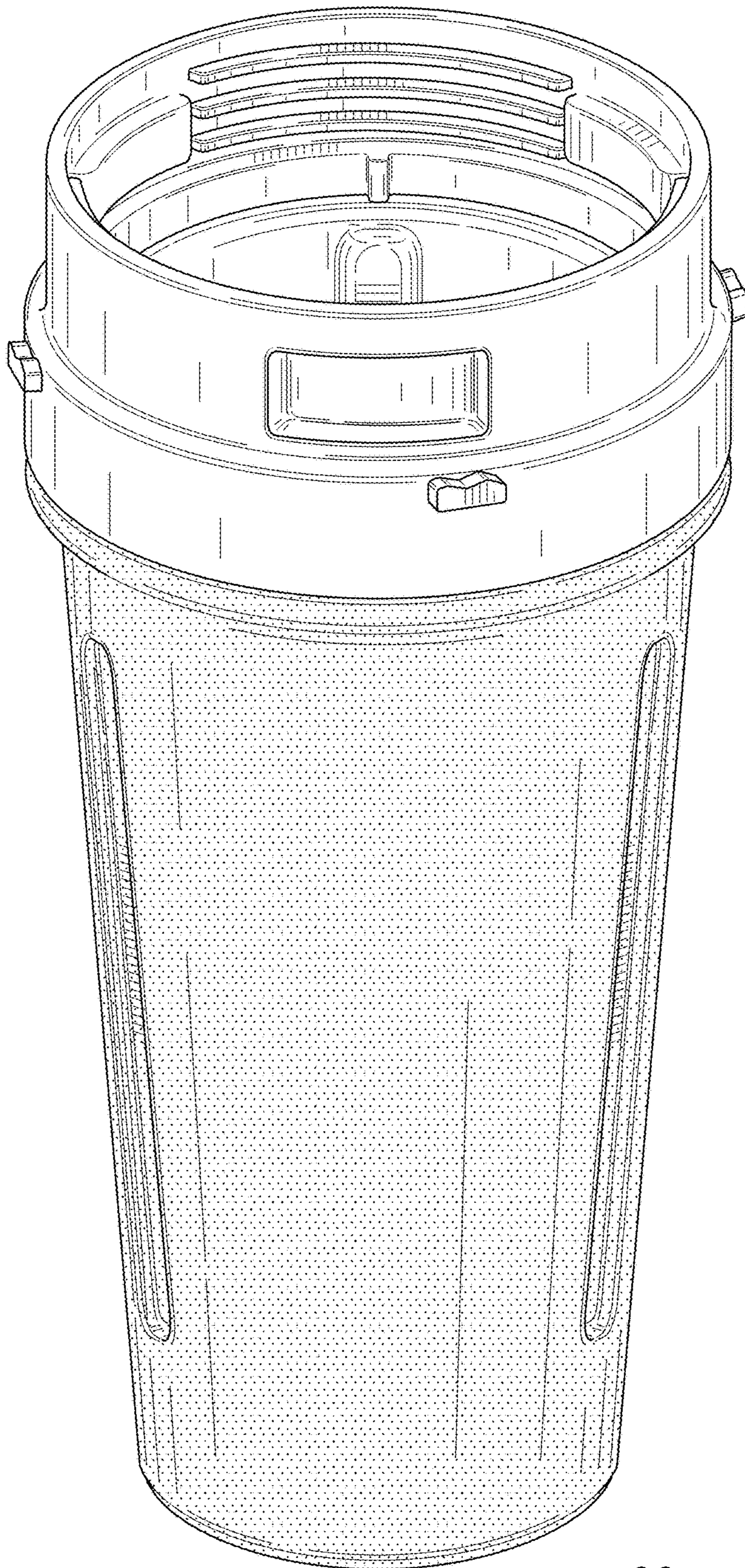


FIG. 33



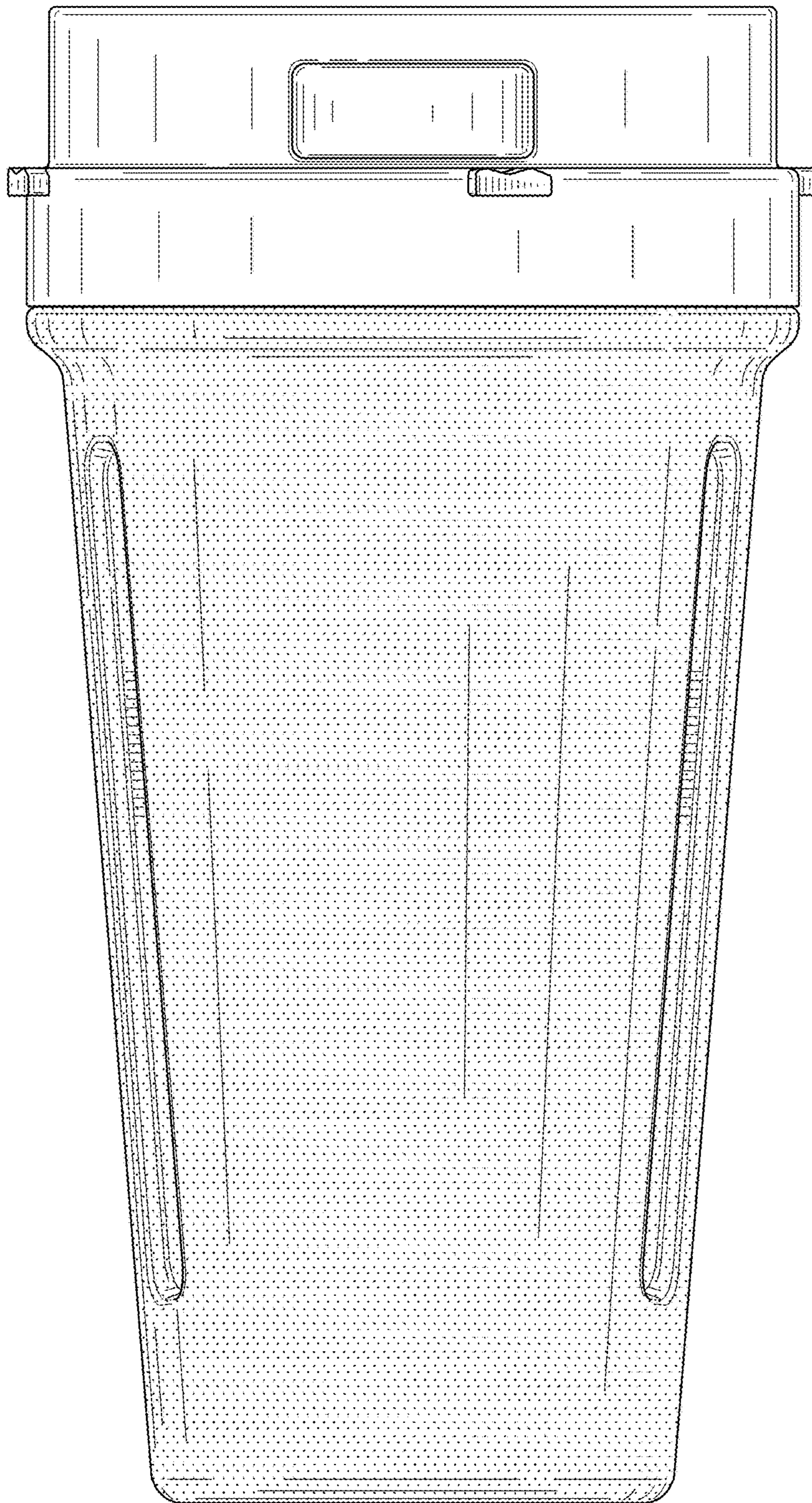


FIG. 34

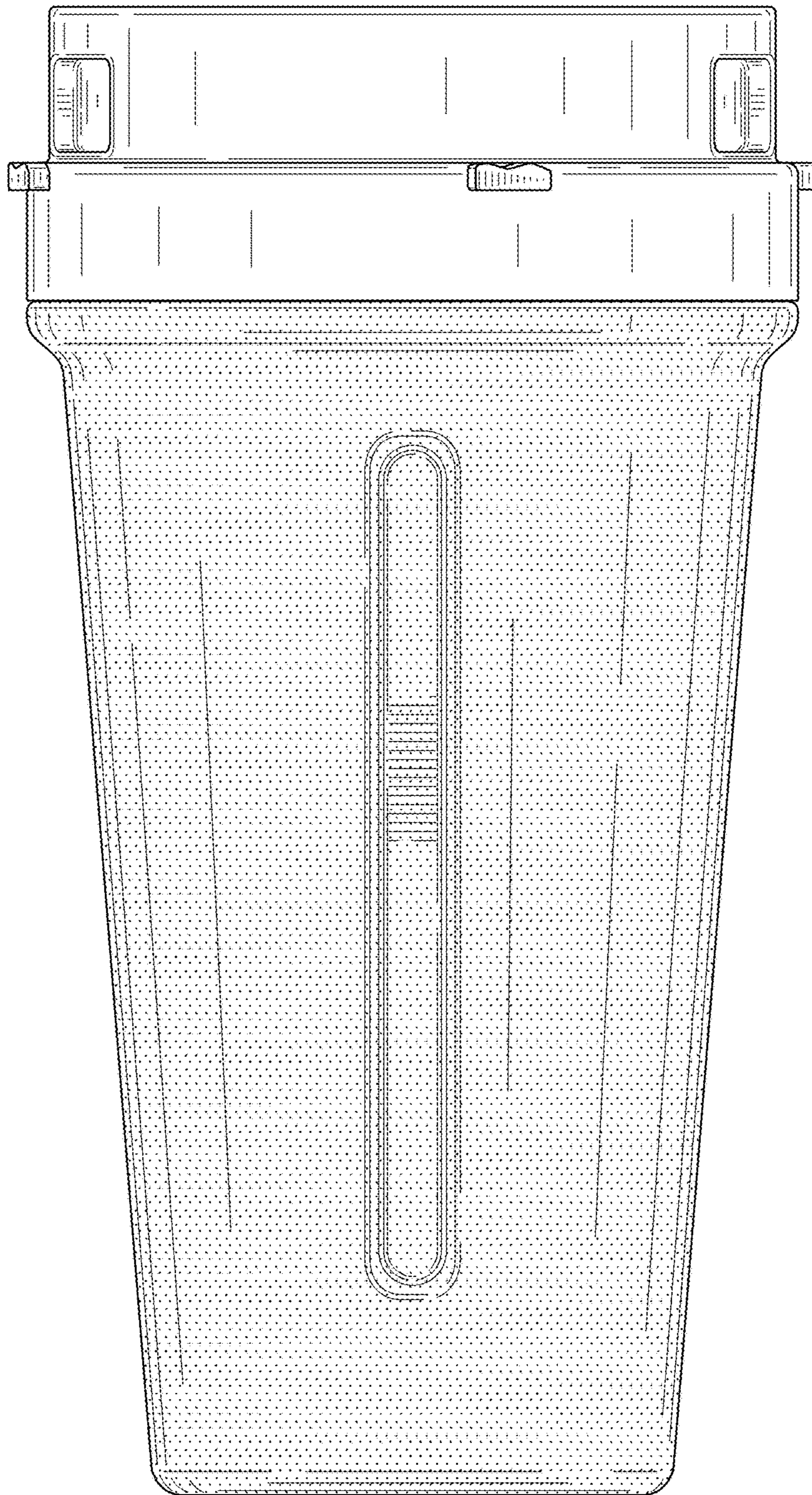


FIG. 35



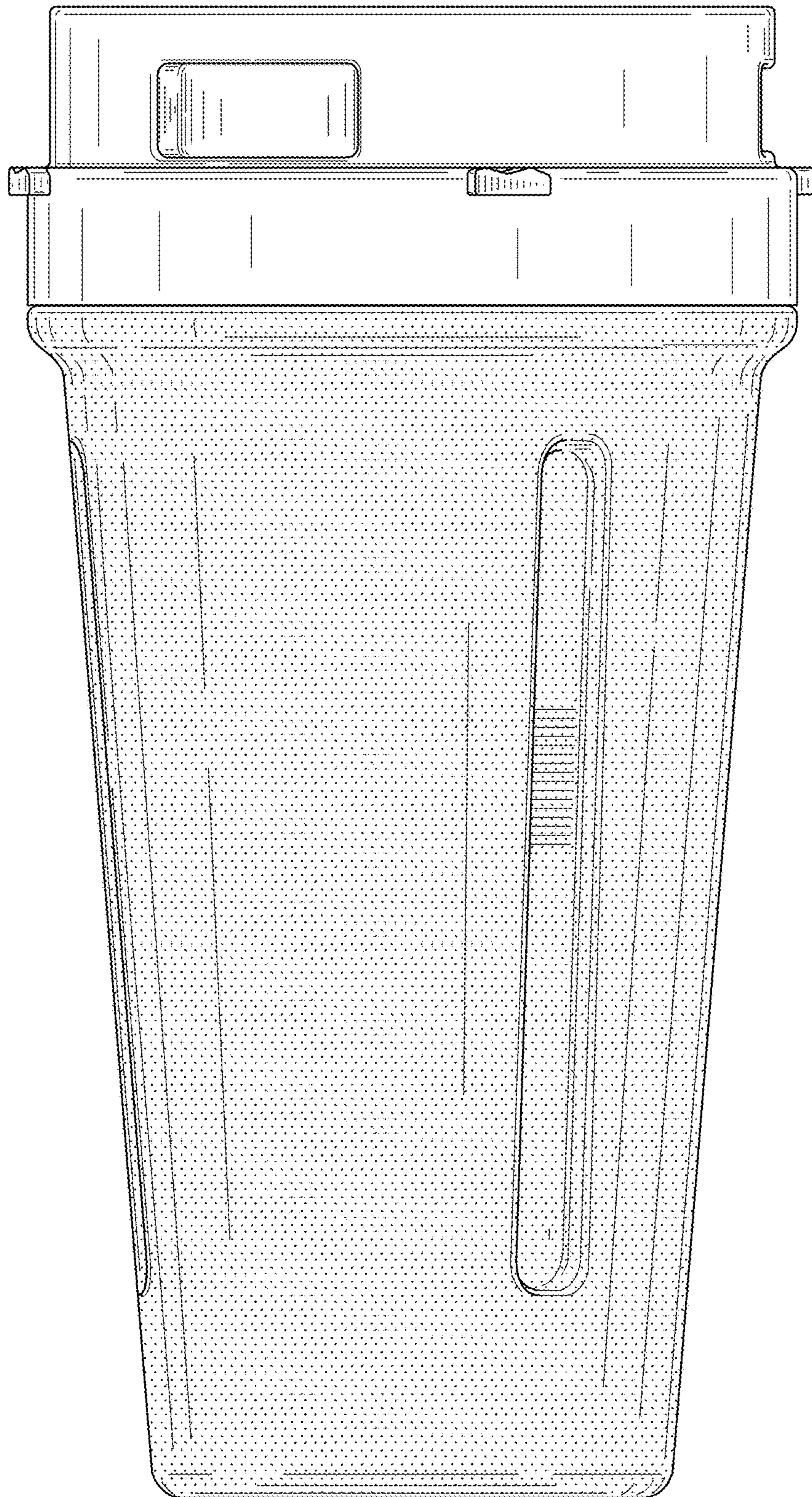


FIG. 36

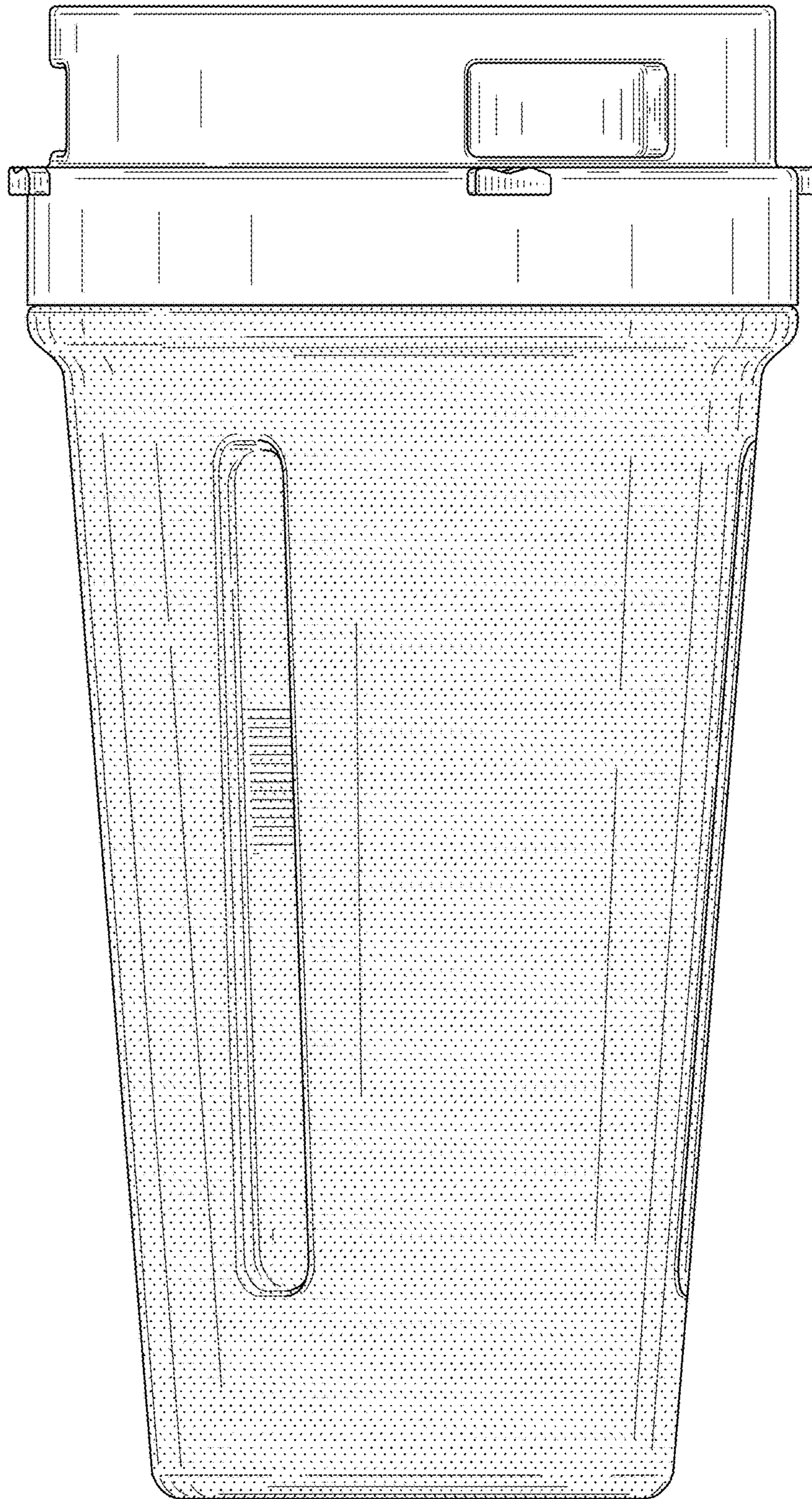
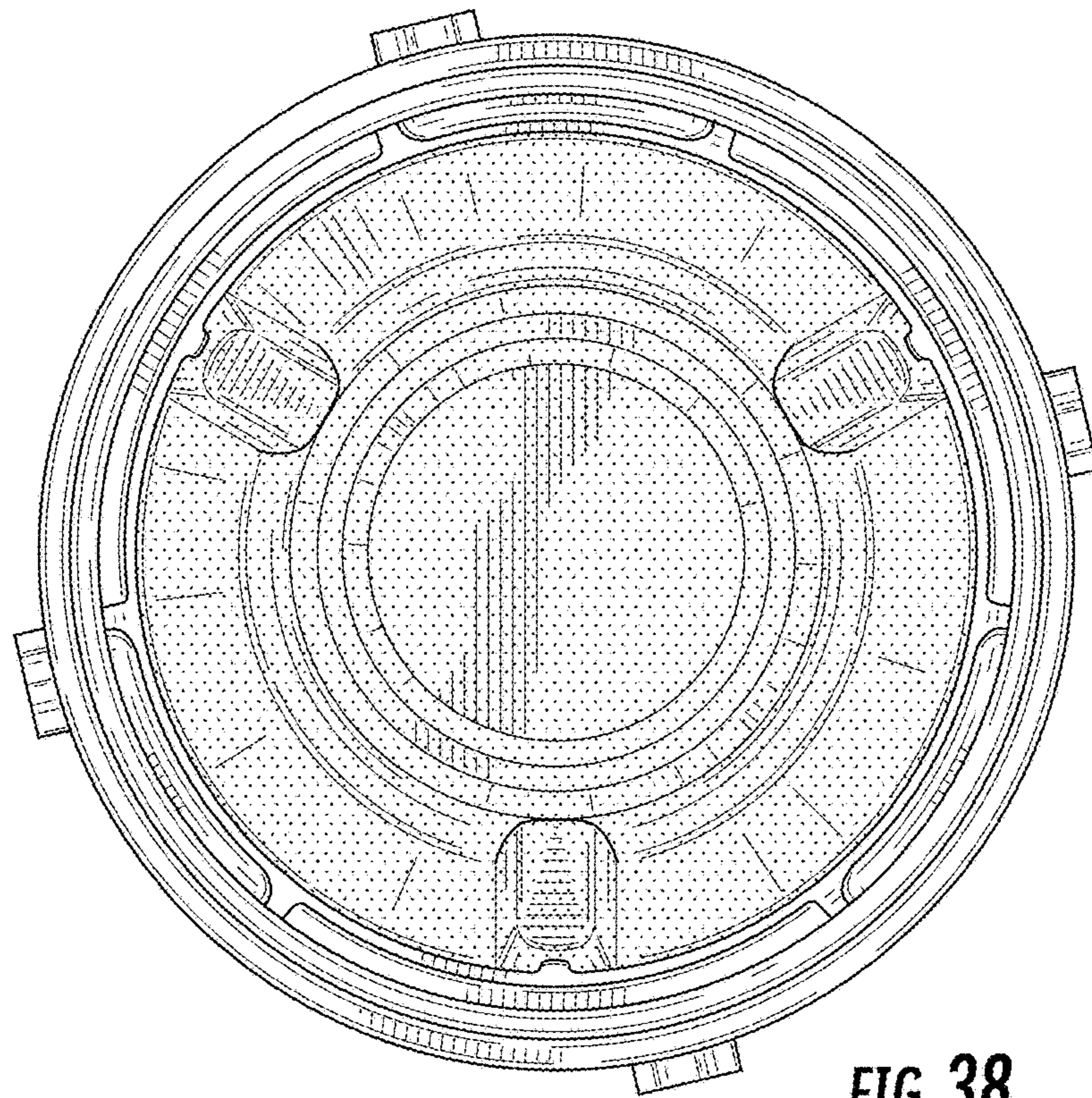
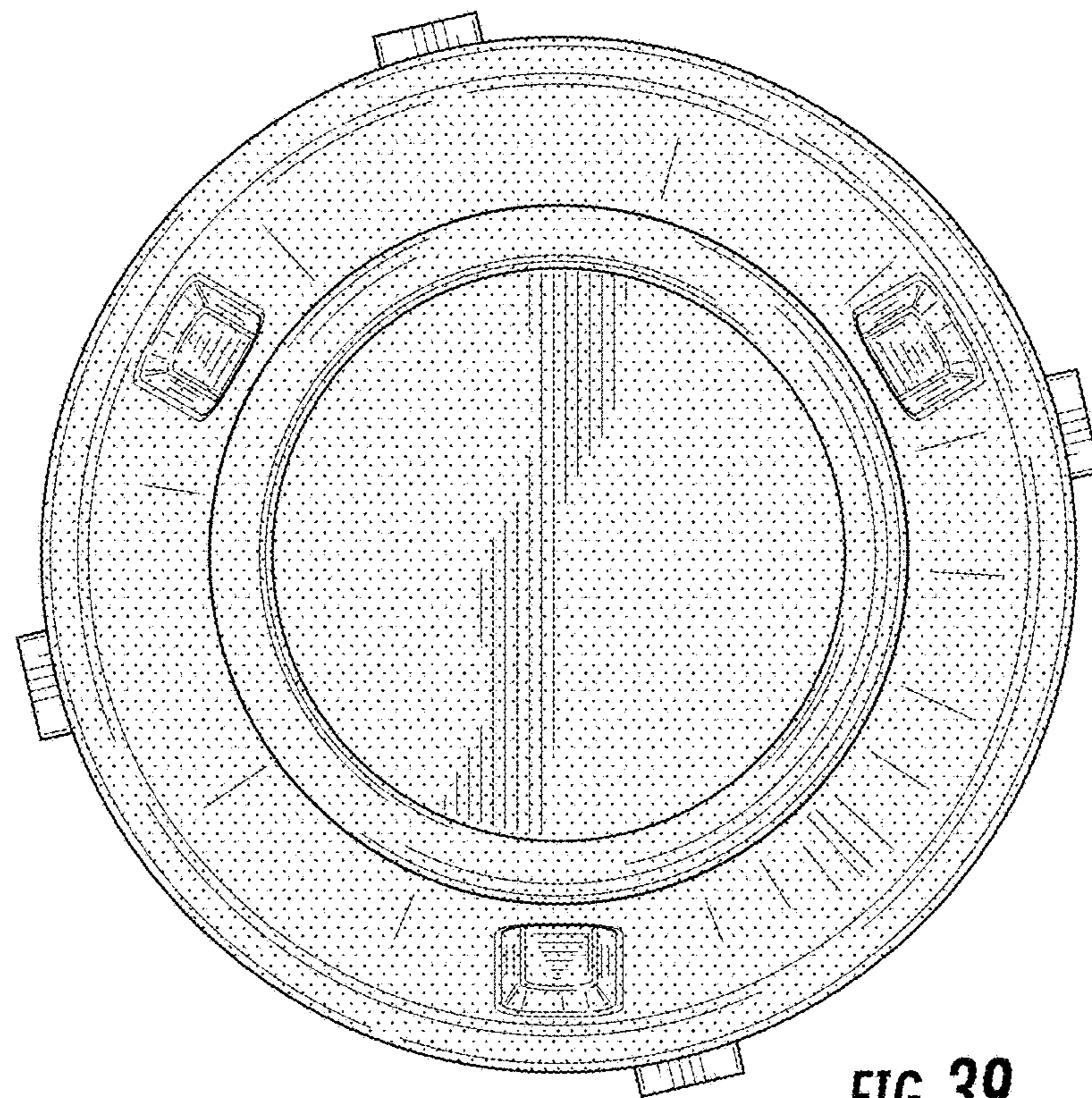


FIG. 37





**FIG. 38**



**FIG. 39**



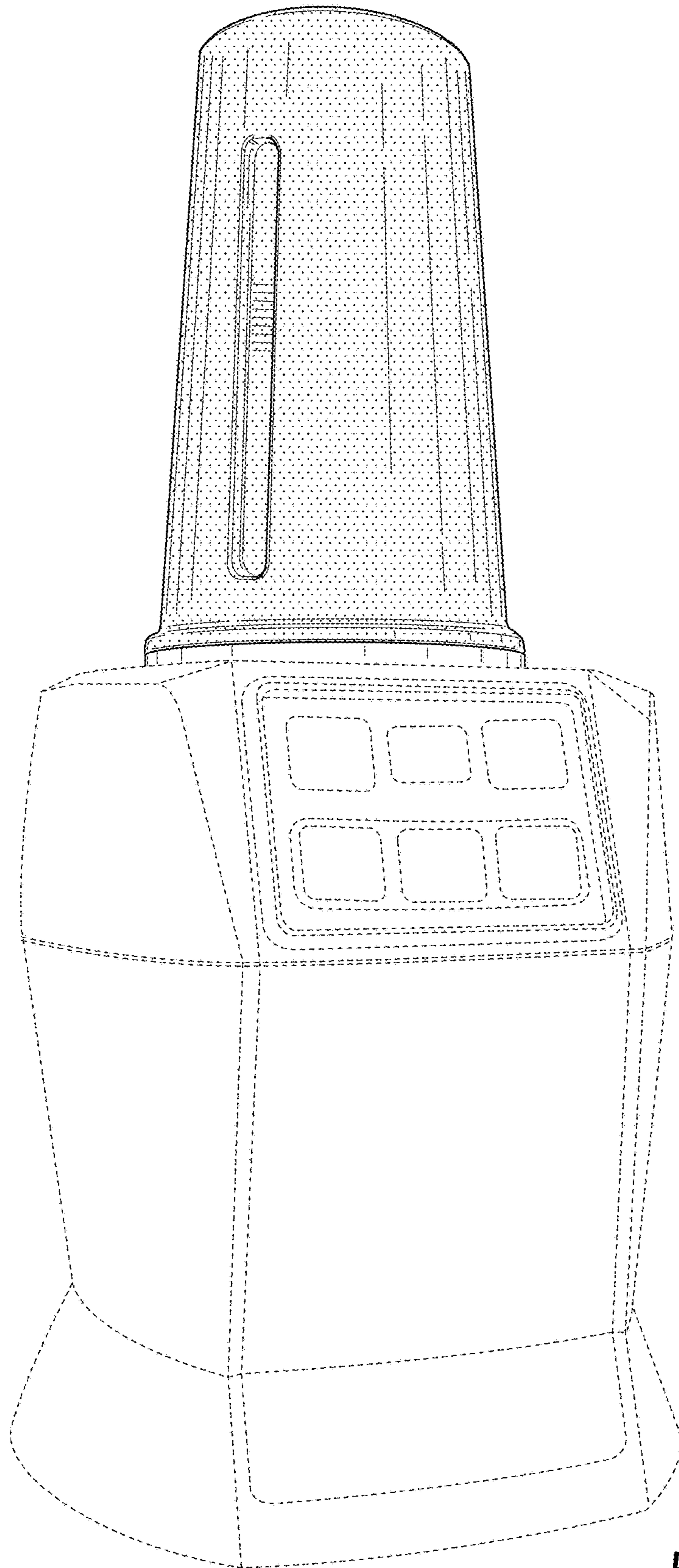


FIG. 40