



US00D783354S

(12) **United States Design Patent** (10) **Patent No.:** **US D783,354 S**  
**Smith** (45) **Date of Patent:** **\*\* Apr. 11, 2017**

(54) **BLENDER CONTAINER**  
(71) Applicant: **SharkNinja Operating LLC**, Newton, MA (US)  
(72) Inventor: **Cory R. Smith**, Aburndale, MA (US)  
(73) Assignee: **SHARKNINJA OPERATING LLC**, Newton, MA (US)

D621,656 S \* 8/2010 Ulanski ..... D7/378  
D647,367 S \* 10/2011 Audette ..... D7/376  
D647,368 S \* 10/2011 Audette ..... D7/376  
D661,947 S \* 6/2012 Conti ..... D7/376  
D662,359 S \* 6/2012 Boozer ..... D7/376  
D678,726 S \* 3/2013 Palermo ..... D7/376  
D705,606 S \* 5/2014 Coakley ..... D7/376  
D730,683 S \* 6/2015 Tu ..... D7/376

(Continued)

(\*\*) Term: **15 Years**  
(21) Appl. No.: **29/527,748**

**FOREIGN PATENT DOCUMENTS**

KR 300345055 S 2/2004  
KR 300422169 S 8/2006

(22) Filed: **May 21, 2015**  
(51) **LOC (10) Cl.** ..... **31-00**  
(52) **U.S. Cl.**  
USPC ..... **D7/413; D7/376; D7/378; D7/386;**  
**D7/412**

**OTHER PUBLICATIONS**

Application for Registration of an Industrial Design Examiners Report; Canadian Application No. 164966; Issue Date: Jan. 14, 2016; 4 Pages.

(Continued)

(58) **Field of Classification Search**  
USPC ..... D7/372, 376-386, 412-413, 602, 629, D7/665-666, 669, 679, 693-694  
CPC .... A21C 1/02; A21C 1/04; A23N 1/00; A23N 1/02; A47J 43/04; A47J 43/25; A47J 43/27; A47J 43/042; A47J 43/044; A47J 43/046; A47J 43/075; A47J 43/0722; A47J 43/0727; A47J 43/0777; B01F 3/00; B01F 3/0807; B01F 3/0853; B01F 13/0059; B01F 13/0064; B02C 1/08; B02C 2/04; B02C 4/42; B02C 4/142; B02C 4/143; B02C 4/423; B02C 13/1835; B28C 5/10; B28C 5/12; B28C 5/14; B28C 5/16

*Primary Examiner* — Ricky Pham  
(74) *Attorney, Agent, or Firm* — Cantor Colburn LLP

(57) **CLAIM**

The ornamental design for a blender container, as shown and described.

**DESCRIPTION**

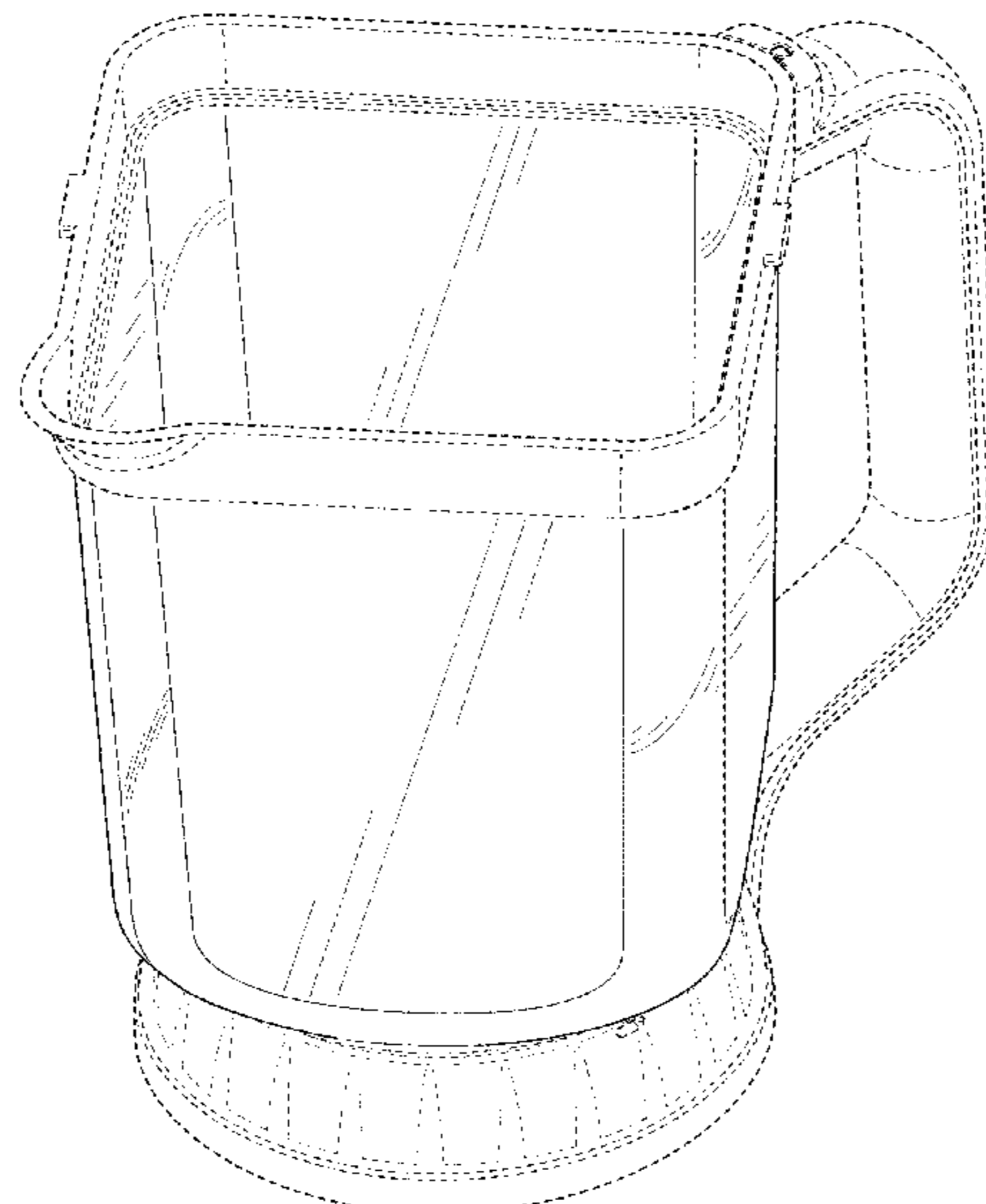
FIG. 1 is a perspective view of a blender container showing my new design;  
FIG. 2 is a front elevational view thereof;  
FIG. 3 is a rear elevational view thereof;  
FIG. 4 is a left side elevational view thereof;  
FIG. 5 is a right side elevational view thereof;  
FIG. 6 is a top plan view thereof; and,  
FIG. 7 is a bottom plan view thereof.  
The broken lines in the drawings are for illustrative purposes only and form no part of the claimed design.

See application file for complete search history.

(56) **References Cited**  
U.S. PATENT DOCUMENTS

D480,915 S \* 10/2003 Kolar ..... D7/413  
D528,363 S \* 9/2006 Ulanski ..... D7/413  
D578,340 S \* 10/2008 Picozza ..... D7/378

**1 Claim, 7 Drawing Sheets**



(56)

**References Cited**

U.S. PATENT DOCUMENTS

D742,172 S \* 11/2015 Dickson, Jr. .... D7/376  
2012/0024993 A1\* 2/2012 Audette ..... A47J 43/0777  
241/30

OTHER PUBLICATIONS

Notice of Allowance; Japanese Design Application No. 2015-026170; Mailing Date: Apr. 1, 2016; 2 Pages.  
Notice of Allowance; Japanese Design Application No. 2015-026171; Mailing Date: Apr. 1, 2016; 2 Pages.  
Notice of Allowance; Japanese Design Application No. 2015-026172; Mailing Date: Apr. 1, 2016; 2 Pages.  
Notice of Completion of Formalities for Patent Register and Notice of Grant of Design Patent Right; Chinese Application No. 2015304633121; Mailing Date: Mar. 16, 2016; 2 Pages.  
Notice of Decision for Design Registration; Korean Application No. 30-2015-0058156\_M001; Date of Issuance: Jun. 29, 2016; 3 Pages.  
Notice of Decision for Design Registration; Korean Application No. 30-2015-0058156\_M002; Date of Issuance: Jun. 29, 2016; 3 Pages.  
Notice of Decision for Design Registration; Korean Application No. 30-2015-0058156\_M003; Date of Issuance: Jun. 29, 2016; 3 Pages.  
Notice of References; Japanese Design Application No. 2015-026170; Mailing Date: Apr. 1, 2016; 2 Pages.  
Office Action [2]; Korean Application No. 30-2015-0058156\_M001; Date of Issuance: Mar. 26, 2016; 4 Pages.  
Office Action; Korean Application No. 30-2015-0058156\_M001; Date of Issuance: Mar. 26, 2016; 4 Pages.

\* cited by examiner

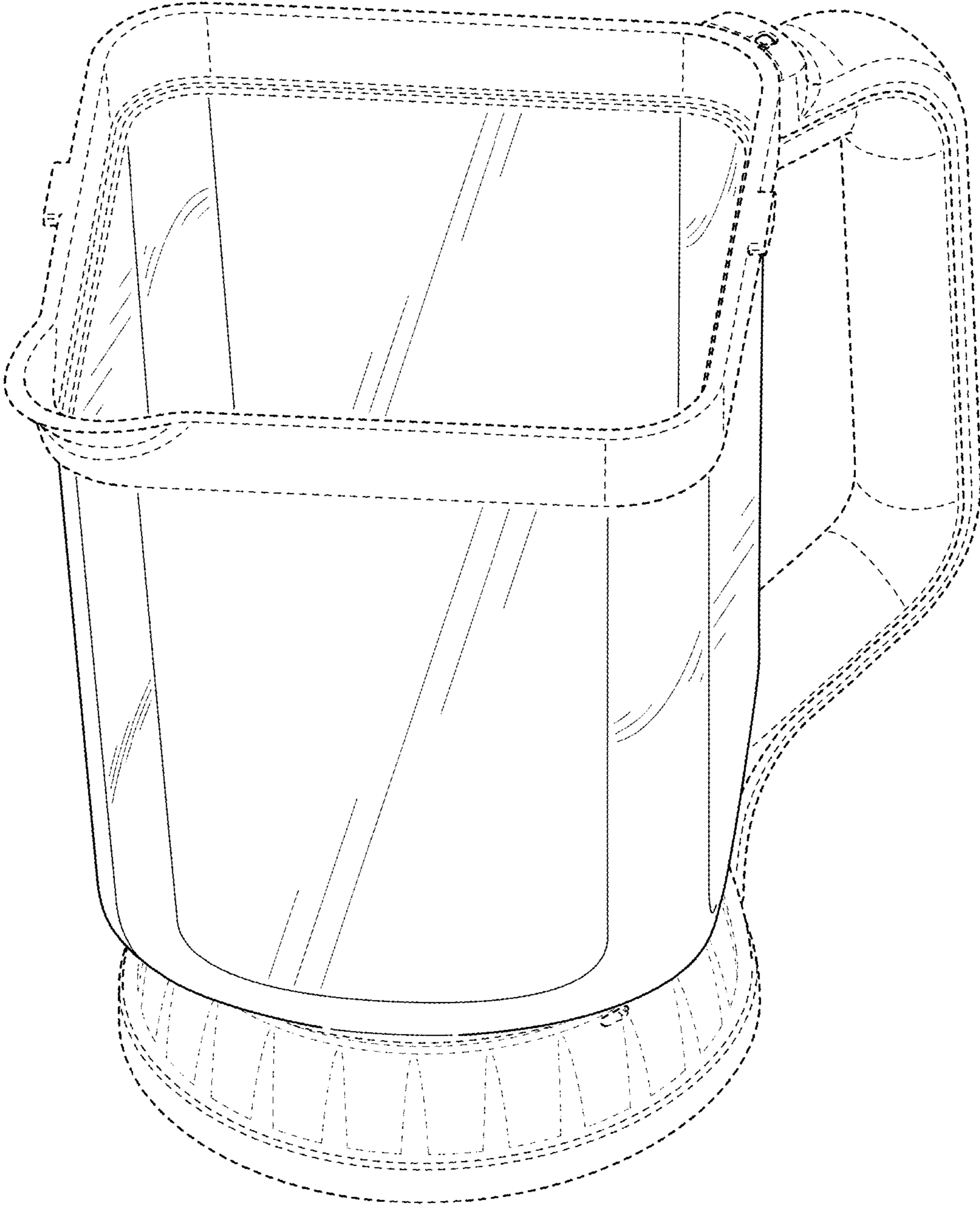


FIG. 1

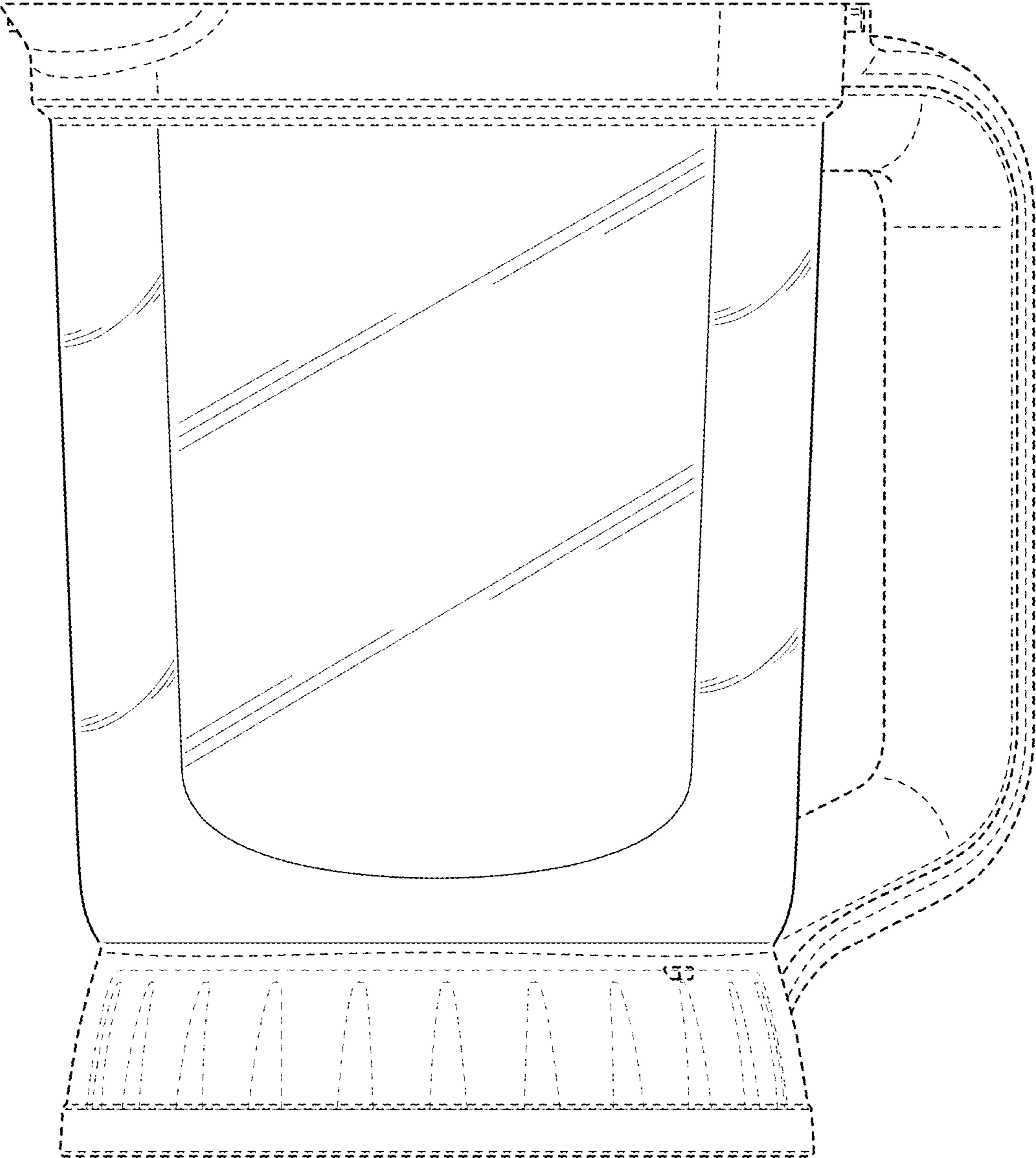


FIG. 2



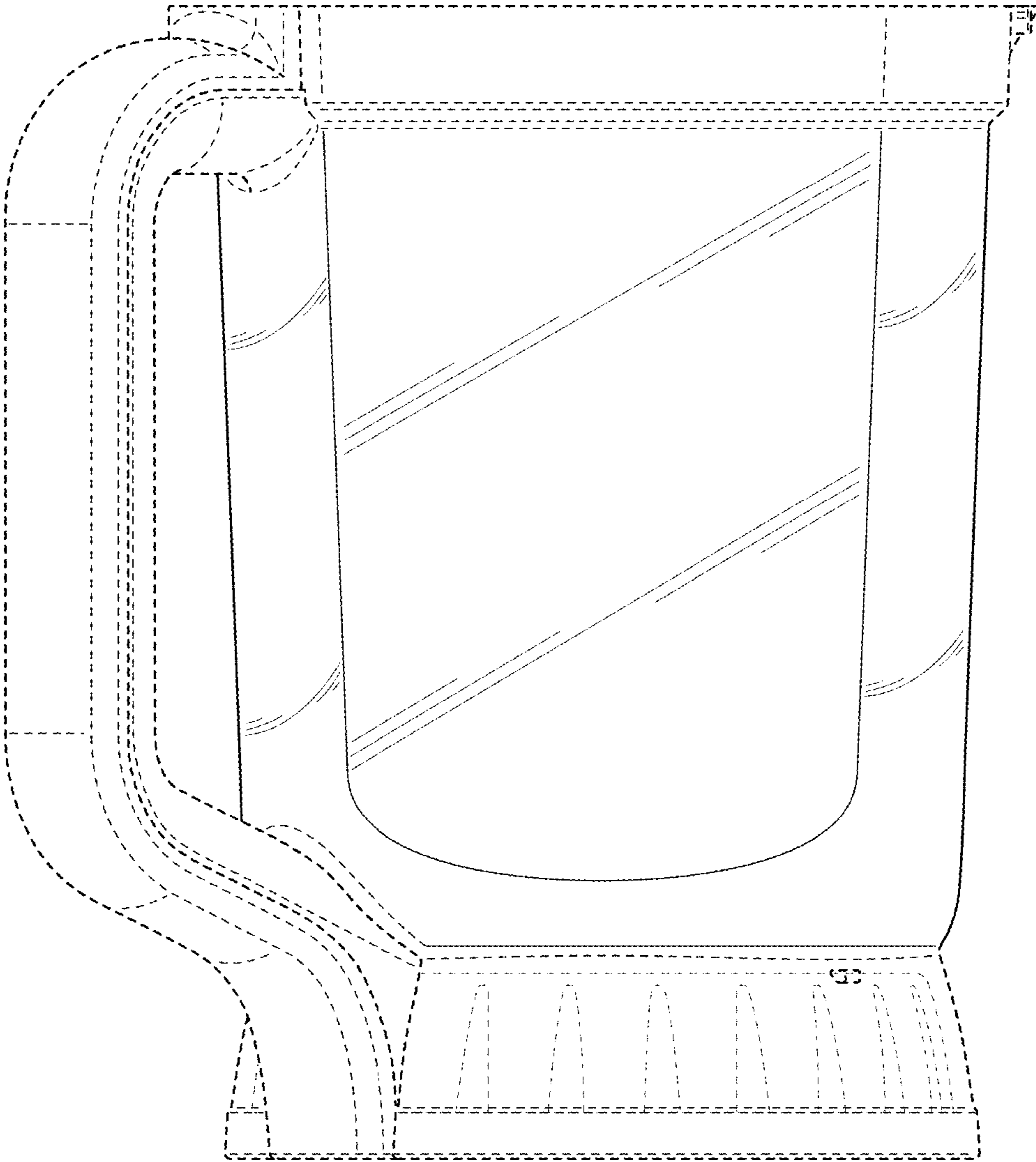


FIG. 3

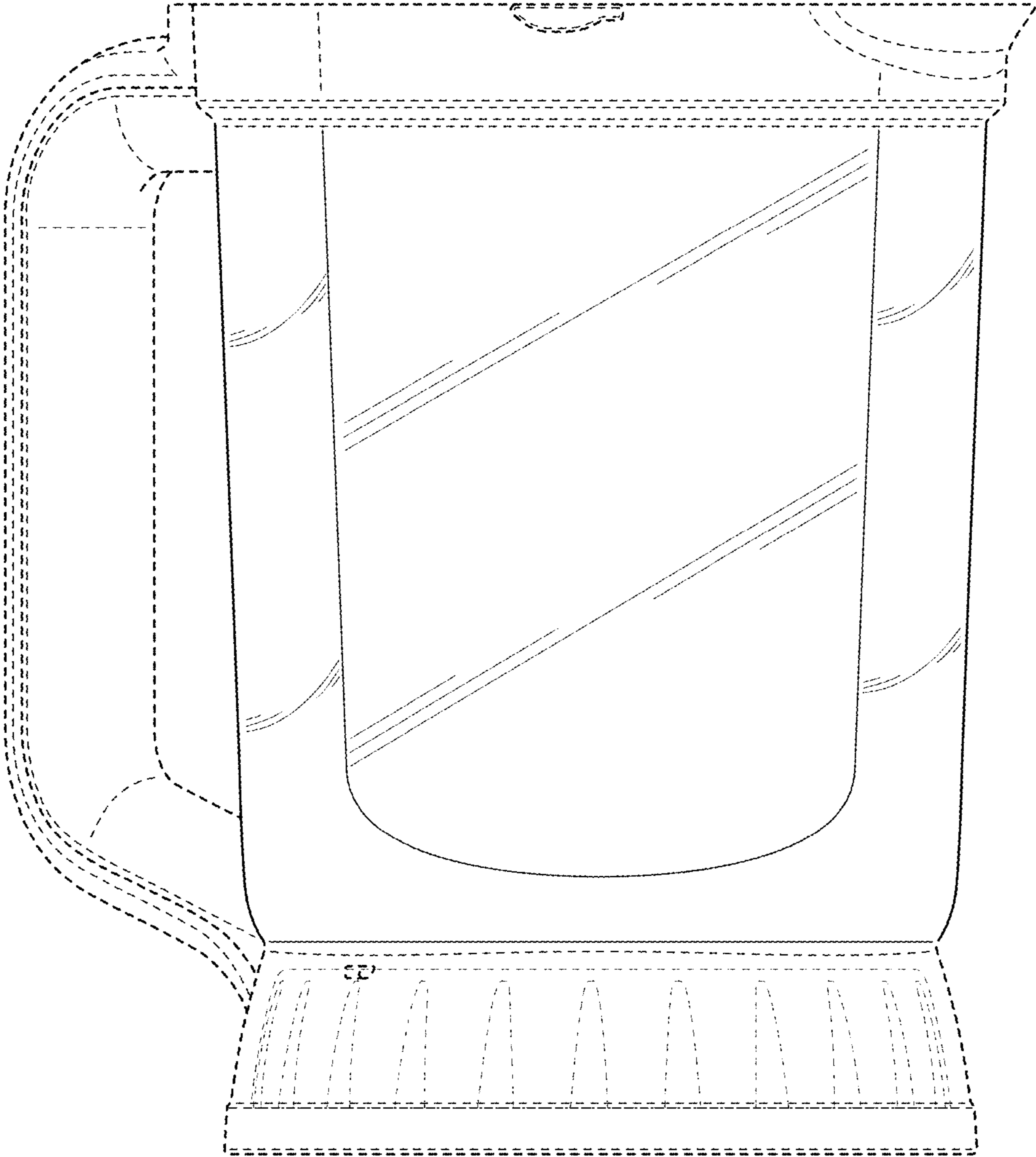


FIG. 4

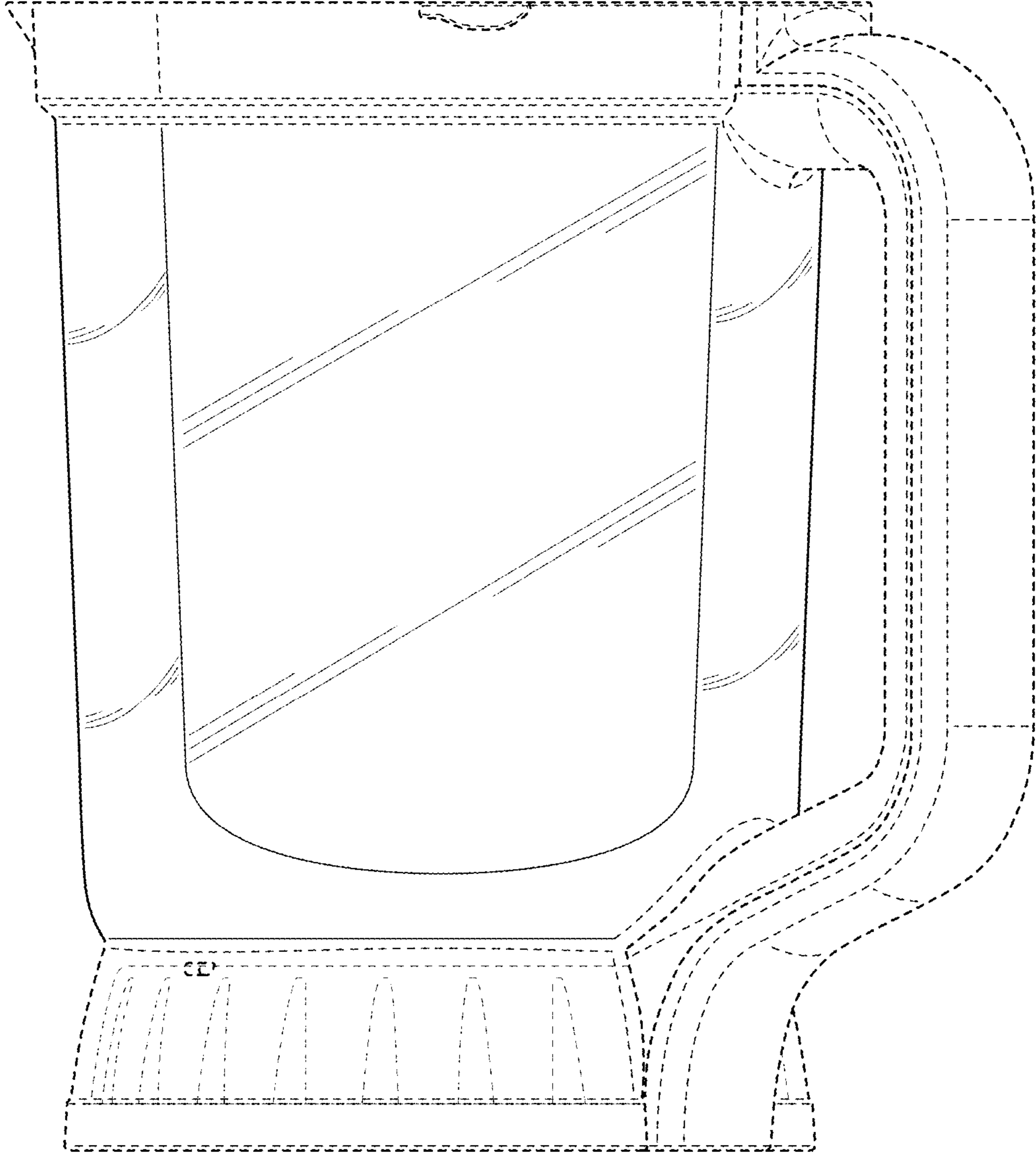


FIG. 5

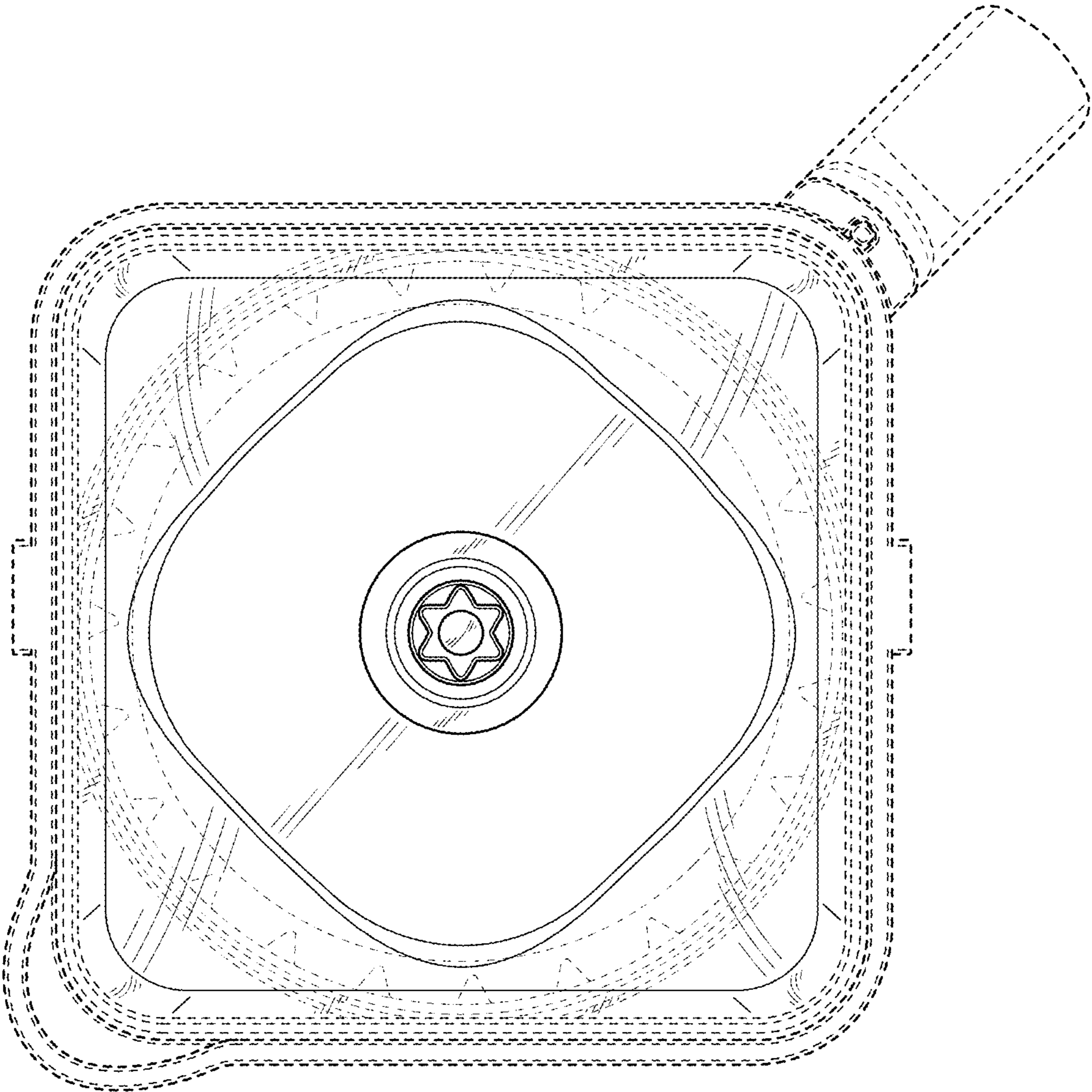


FIG. 6



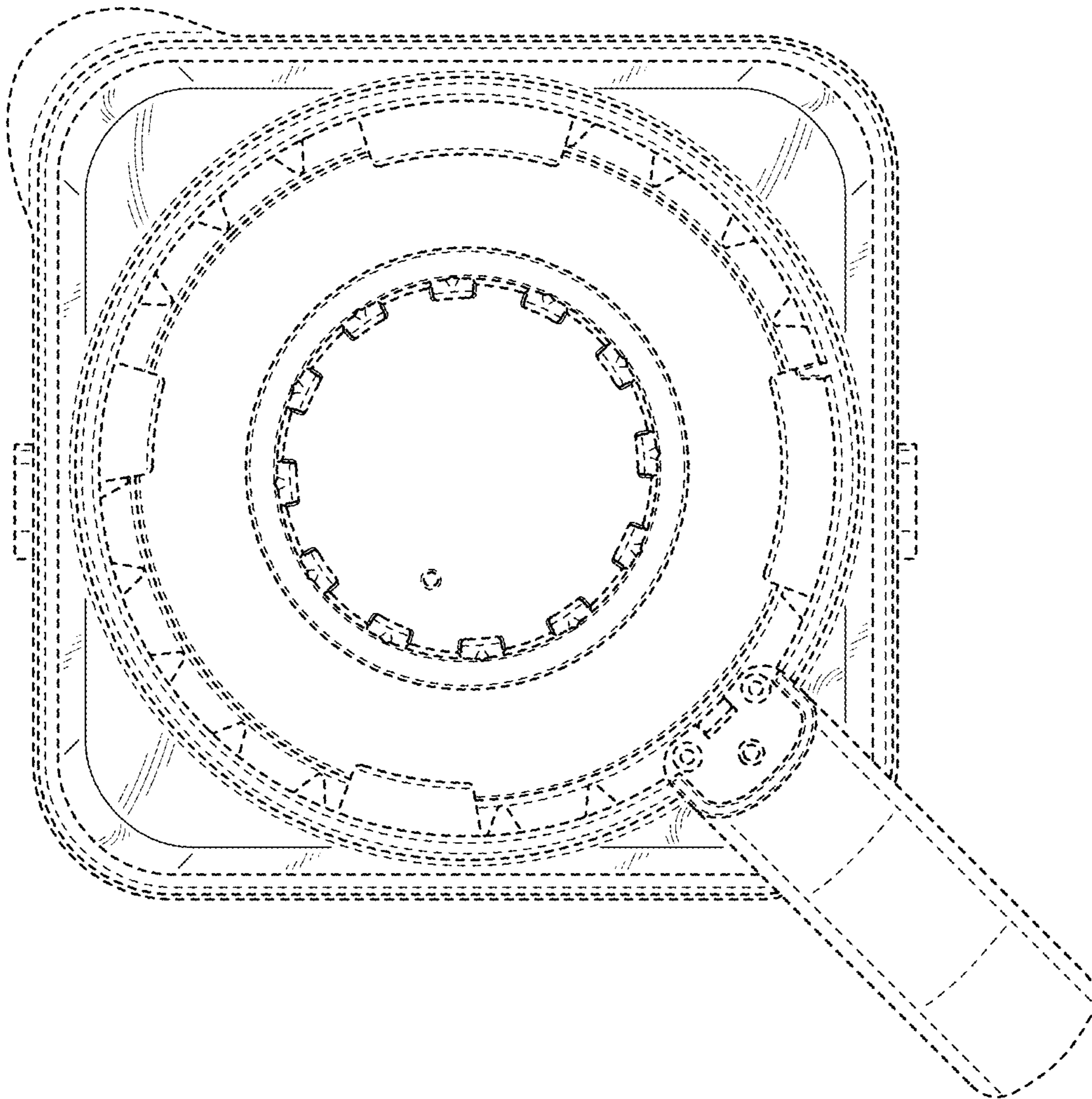


FIG. 7