

US00D783353S

(12) **United States Design Patent** (10) **Patent No.:** **US D783,353 S**
Smith (45) **Date of Patent:** **** Apr. 11, 2017**

(54) **BLADE ASSEMBLY**

(71) Applicant: **SharkNinja Operating LLC**, Newton, MA (US)

(72) Inventor: **Cory Smith**, Newton, MA (US)

(73) Assignee: **SHARKNINJA OPERATING LLC**, Newton, MA (US)

(**) Term: **15 Years**

(21) Appl. No.: **29/527,675**

(22) Filed: **May 21, 2015**

(51) **LOC (10) Cl.** **31-00**

(52) **U.S. Cl.**
 USPC **D7/412; D7/376; D7/378; D7/413**

(58) **Field of Classification Search**
 USPC D7/372, 376-386, 412-413, 602, 629, D7/665-666, 669, 679, 693-694
 CPC A21C 1/02; A21C 1/04; A23N 1/00; A23N 1/02; A47J 43/04; A47J 43/25; A47J 43/27; A47J 43/042; A47J 43/044; A47J 43/046; A47J 43/075; A47J 43/0722; A47J 43/0766; A47J 43/0727; B01F 3/00; B01F 3/0807; B01F 3/0853; B01F 13/0059; B01F 13/0064; B02C 1/08; B02C 2/04; B02C 4/42; B02C 4/142; B02C 4/143; B02C 4/423; B02C 13/1835; B28C 5/10; B28C 5/12; B28C 5/14; B28C 5/16

See application file for complete search history.

3,820,692 A	6/1974	Swett et al.
D241,404 S	9/1976	Mantelet
D278,963 S	5/1985	Dair et al.
D301,824 S	6/1989	Machuron
D305,503 S	1/1990	Bormioli
D318,398 S *	7/1991	Disco D7/378
D349,423 S	8/1994	Burgel
D400,757 S	11/1998	Hippen et al.
D404,606 S *	1/1999	Huang D7/378
D406,154 S	2/1999	Copland et al.
D416,443 S	11/1999	Kilpatrick et al.
D417,589 S	12/1999	Parker
D417,591 S	12/1999	Roehrig
6,029,568 A	2/2000	Pascotti et al.
D426,423 S	6/2000	Lee
6,092,922 A *	7/2000	Kett A47J 43/0722 241/282.2
D428,768 S	8/2000	Betras
D431,469 S	10/2000	Solland et al.
D432,865 S	10/2000	Cohen

(Continued)

Primary Examiner — Ricky Pham
 (74) *Attorney, Agent, or Firm* — Cantor Colburn LLP

(57) **CLAIM**

The ornamental design for a blade assembly, as shown and described.

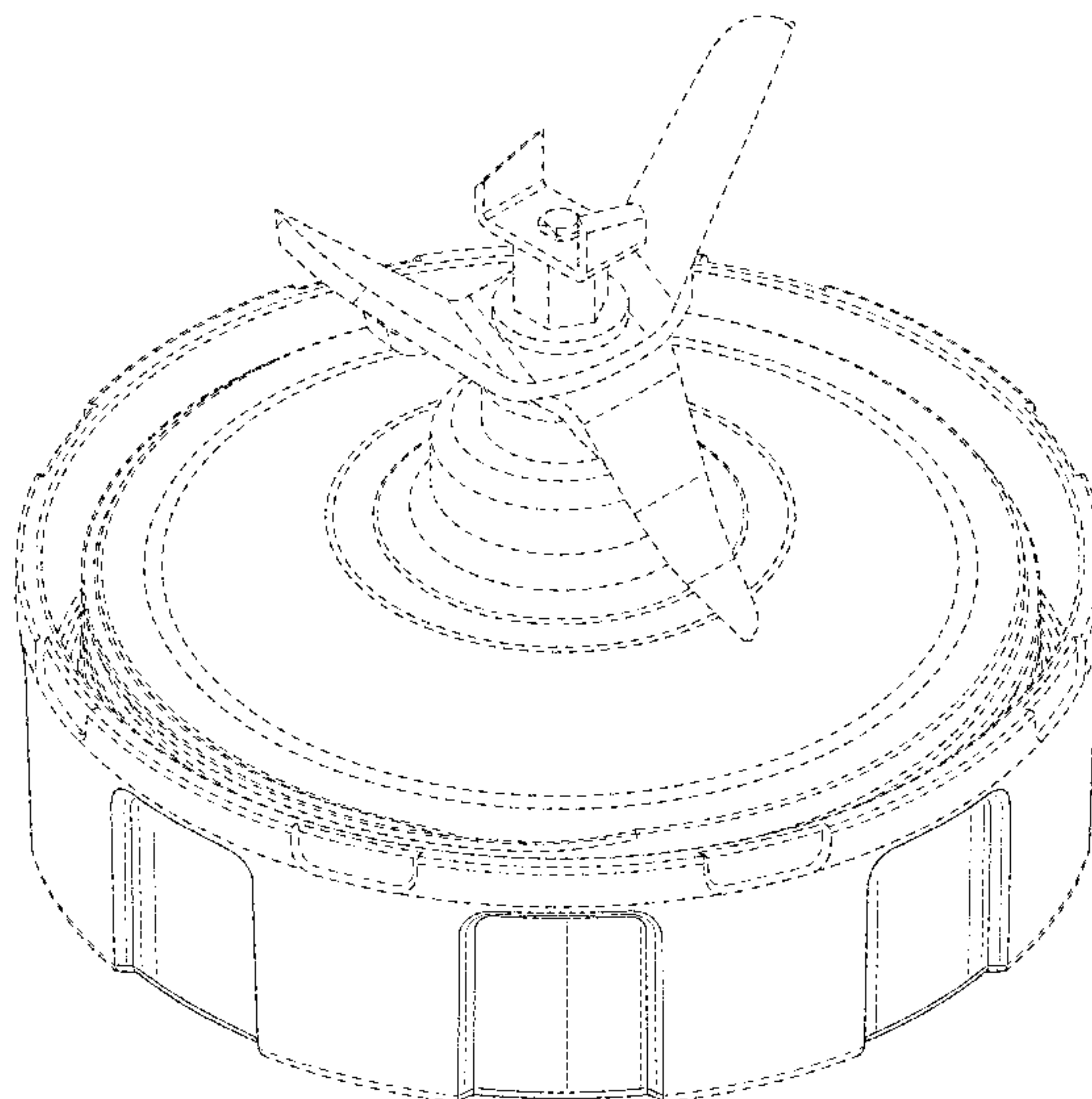
DESCRIPTION

FIG. 1 is a perspective view of a blade assembly showing my new design;
 FIG. 2 is a front elevational view thereof;
 FIG. 3 is a rear elevational view thereof;
 FIG. 4 is a left side elevational view thereof;
 FIG. 5 is a right side elevational view thereof;
 FIG. 6 is a top plan view thereof; and,
 FIG. 7 is a bottom plan view thereof.
 The broken lines in the drawings are for illustrative purposes only and form no part of the claimed design.

1 Claim, 7 Drawing Sheets

(56) **References Cited**
 U.S. PATENT DOCUMENTS

D181,541 S	11/1957	Madl et al.
D185,780 S	8/1959	Tupper
D214,227 S	5/1969	Madl



(56)

References Cited

U.S. PATENT DOCUMENTS

D438,430 S 3/2001 Gabrhel
 D444,344 S 7/2001 Barthelemy et al.
 D459,947 S 7/2002 Cheng
 D462,236 S 9/2002 Hurlbut
 D466,362 S 12/2002 Moore
 D471,064 S 3/2003 Renz
 D475,582 S 6/2003 To
 D478,779 S 8/2003 Stamper, III et al.
 D479,949 S 9/2003 Janky
 D480,601 S 10/2003 Pettaweebuncha
 D488,672 S 4/2004 Oas
 D490,272 S 5/2004 Rohe
 D498,642 S 11/2004 Huang
 D507,721 S 7/2005 Schuler et al.
 7,044,051 B2 5/2006 Le Rouzic
 D522,304 S 6/2006 Huang
 D528,364 S 9/2006 Kolar et al.
 D534,393 S * 1/2007 de Groote D7/376
 D537,677 S 3/2007 Bresler
 D540,124 S 4/2007 Ross
 D540,979 S 4/2007 Chen
 D547,610 S 7/2007 Edelstein et al.
 D548,008 S 8/2007 Lin
 D553,435 S 10/2007 De Groote

7,318,666 B1 * 1/2008 Lin A47J 43/0766
 241/37.5
 D580,227 S 11/2008 Roth et al.
 D587,969 S 3/2009 Gilbert
 D605,462 S * 12/2009 Picozza D7/378
 D631,293 S 1/2011 Ross
 D632,133 S 2/2011 Giraud et al.
 D632,918 S 2/2011 Gordon
 D644,065 S 8/2011 Llerena
 D644,478 S 9/2011 Czach
 D654,305 S 2/2012 Gursel et al.
 D655,133 S 3/2012 Brinckerhoff et al.
 D661,547 S 6/2012 Brinckerhoff et al.
 D668,100 S * 10/2012 Palermo D7/376
 D682,606 S 5/2013 Machovina et al.
 D684,817 S * 6/2013 Leavitt D7/412
 D690,159 S * 9/2013 Gursel D7/376
 D696,063 S 12/2013 Coakley et al.
 D698,210 S 1/2014 Lavy et al.
 D699,074 S * 2/2014 Morrison D7/376
 D702,078 S * 4/2014 Coakley D7/376
 8,950,930 B2 * 2/2015 Wang A47J 43/046
 366/205
 2004/0066705 A1 4/2004 Linz et al.
 2009/0260236 A1 * 10/2009 Lin A47J 43/0722
 30/265
 2010/0058940 A1 3/2010 Rivera

* cited by examiner

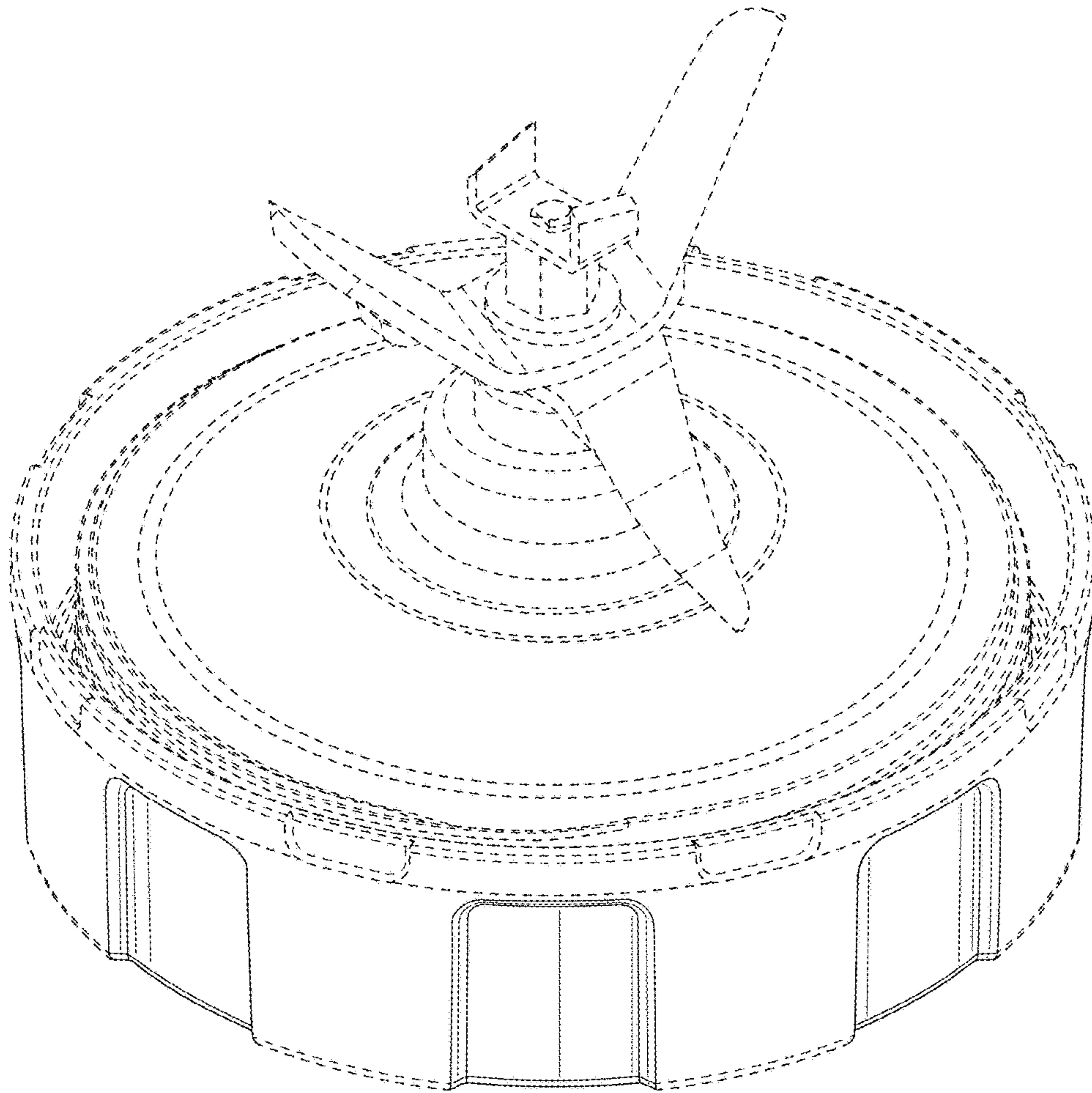


FIG. 1

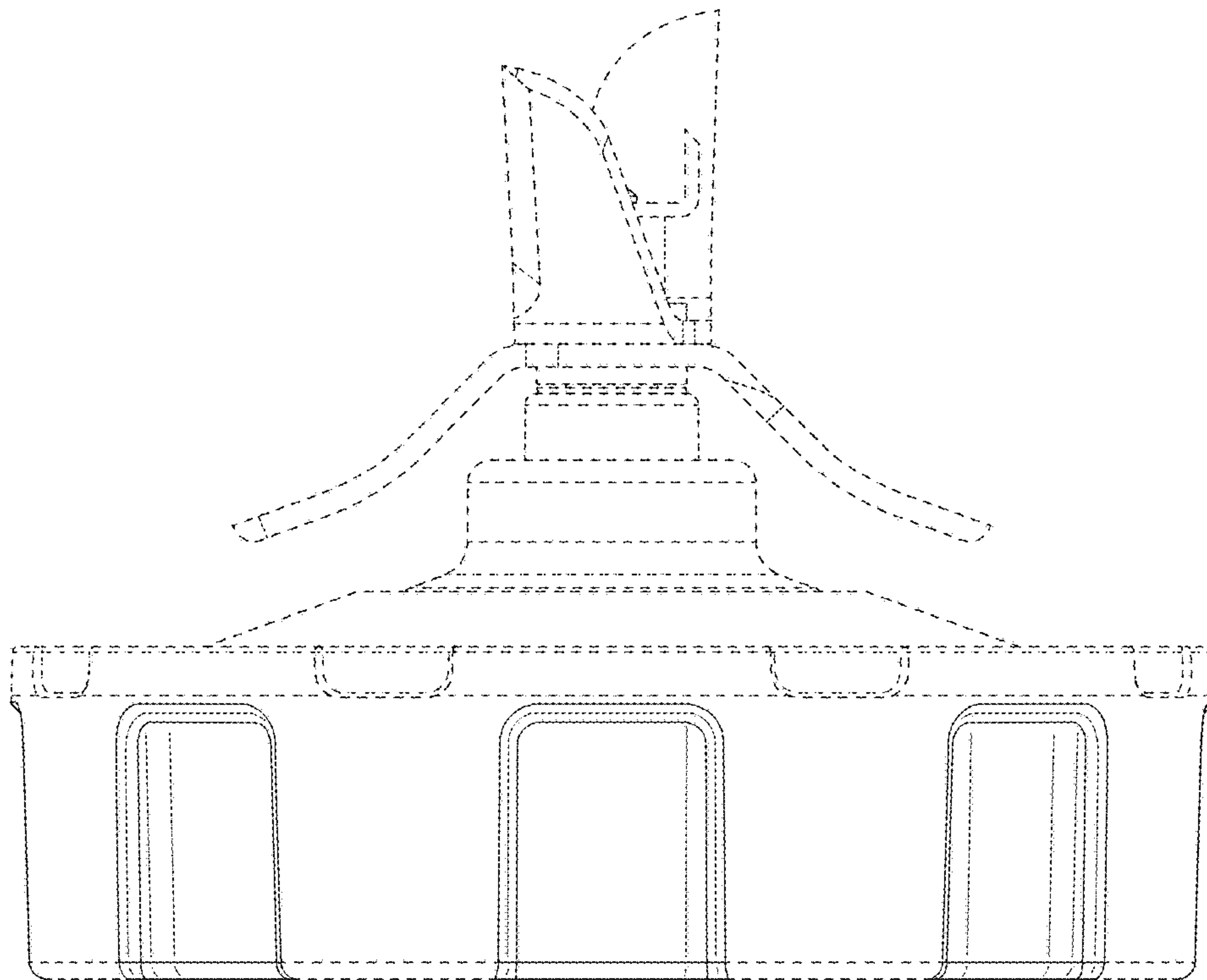


FIG. 2

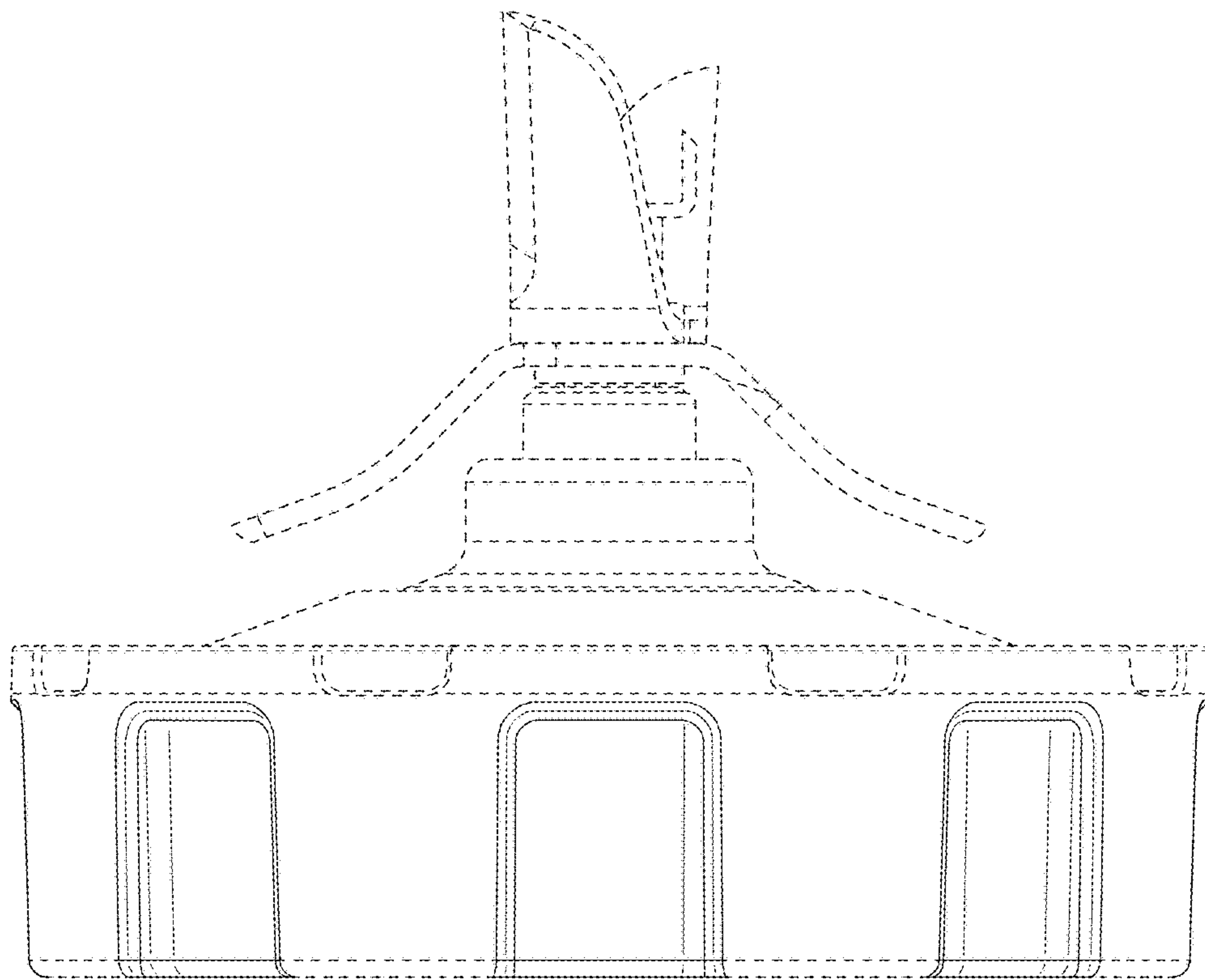


FIG. 3

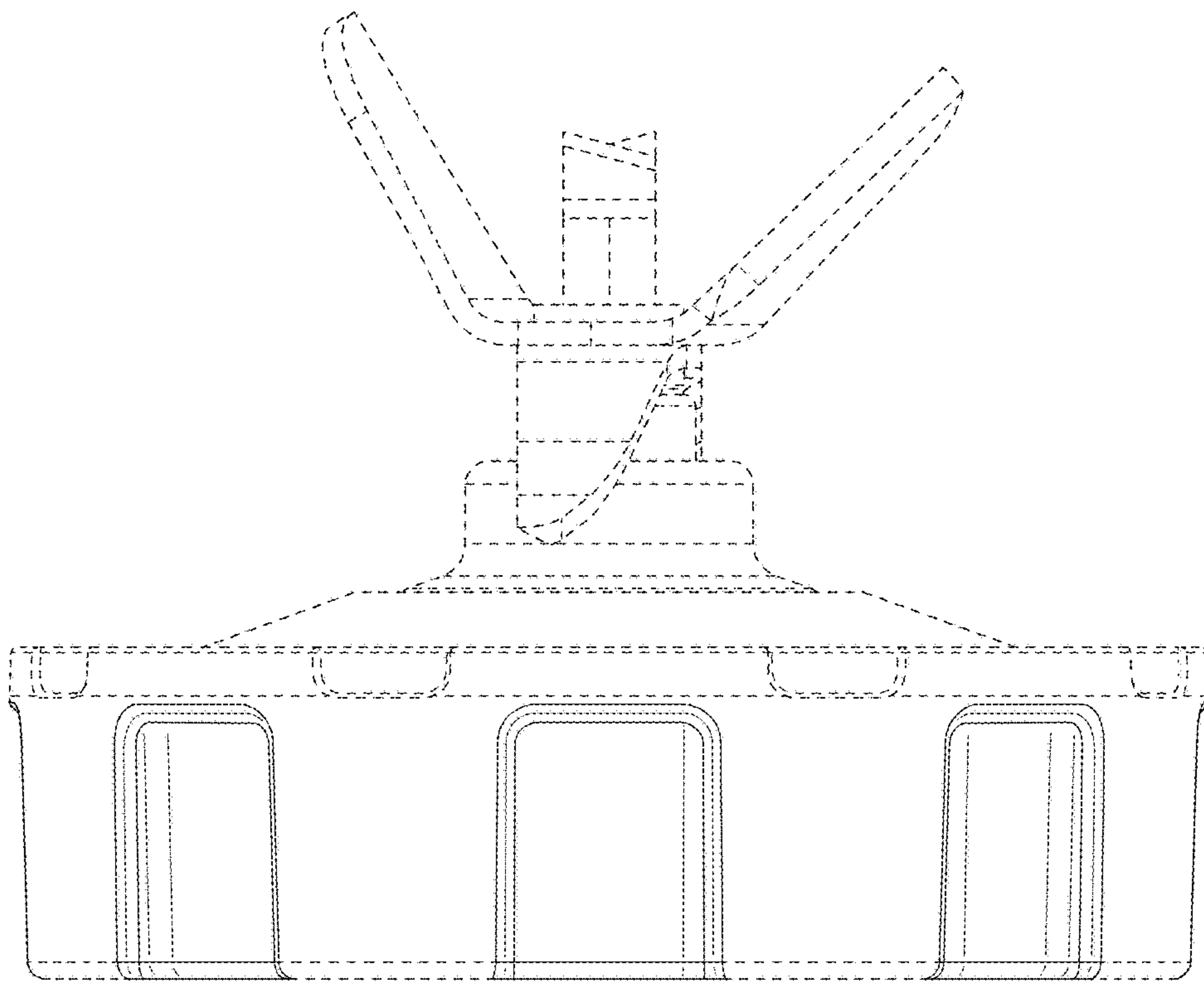


FIG. 4

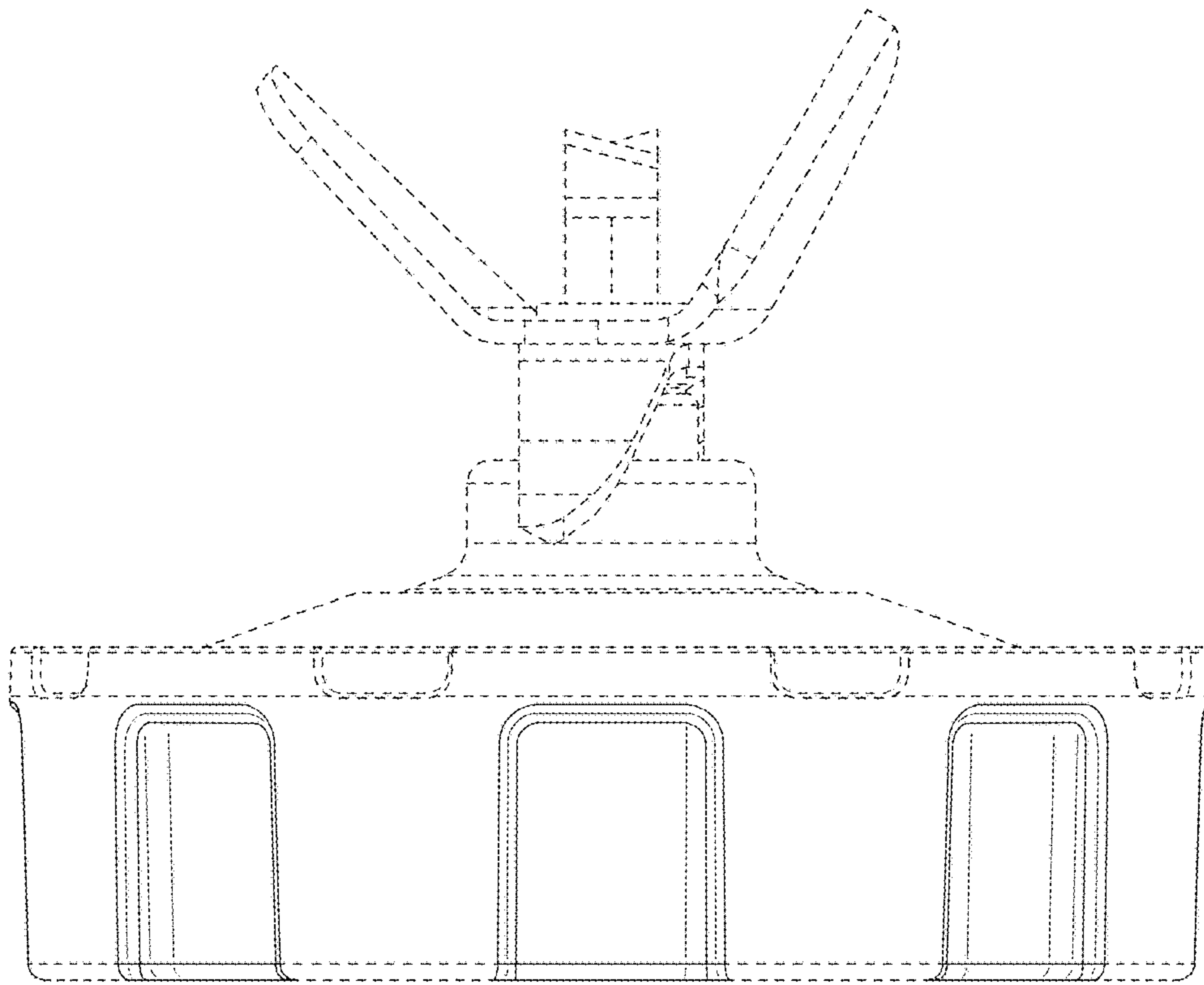


FIG. 5

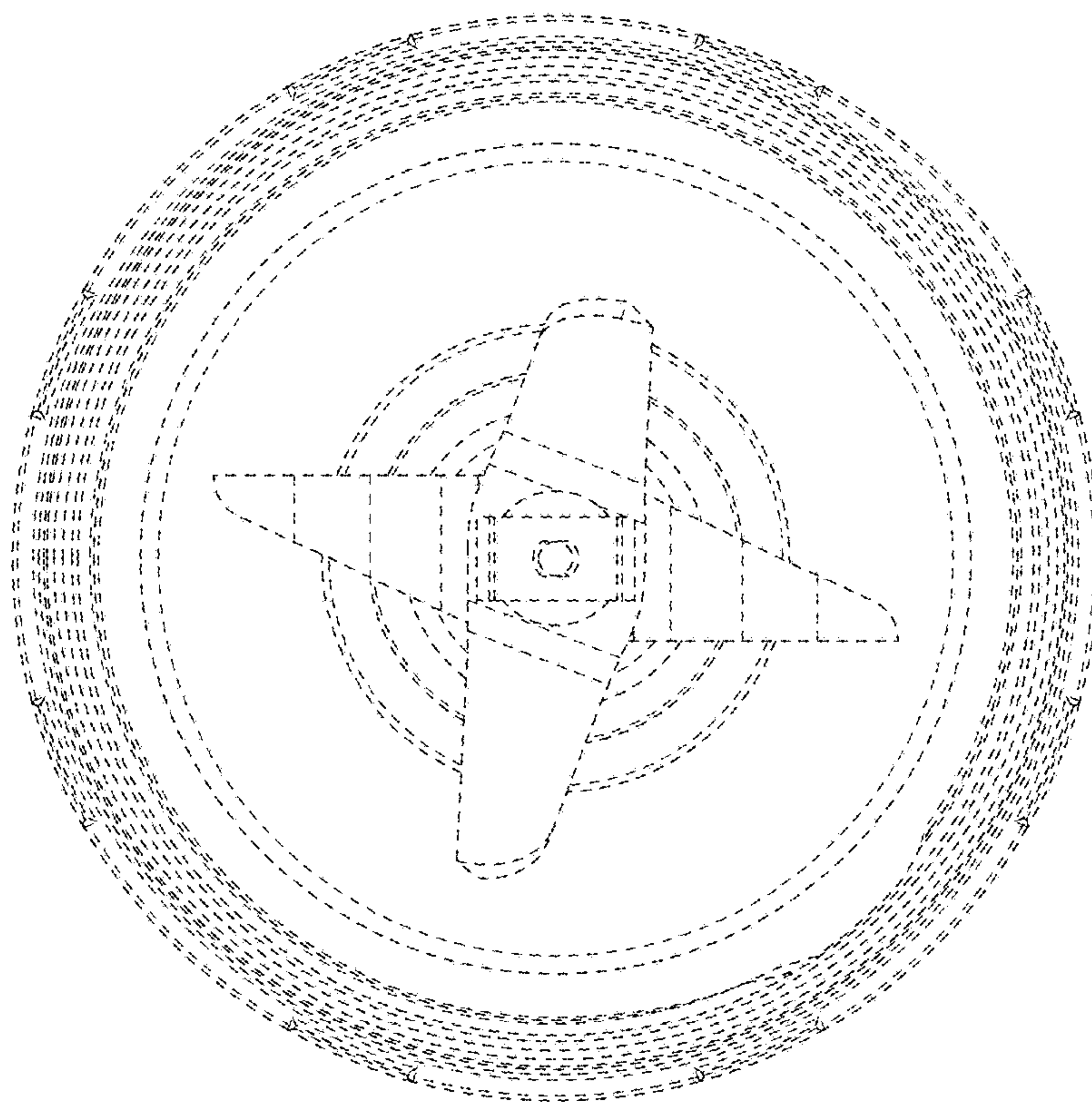


FIG. 6

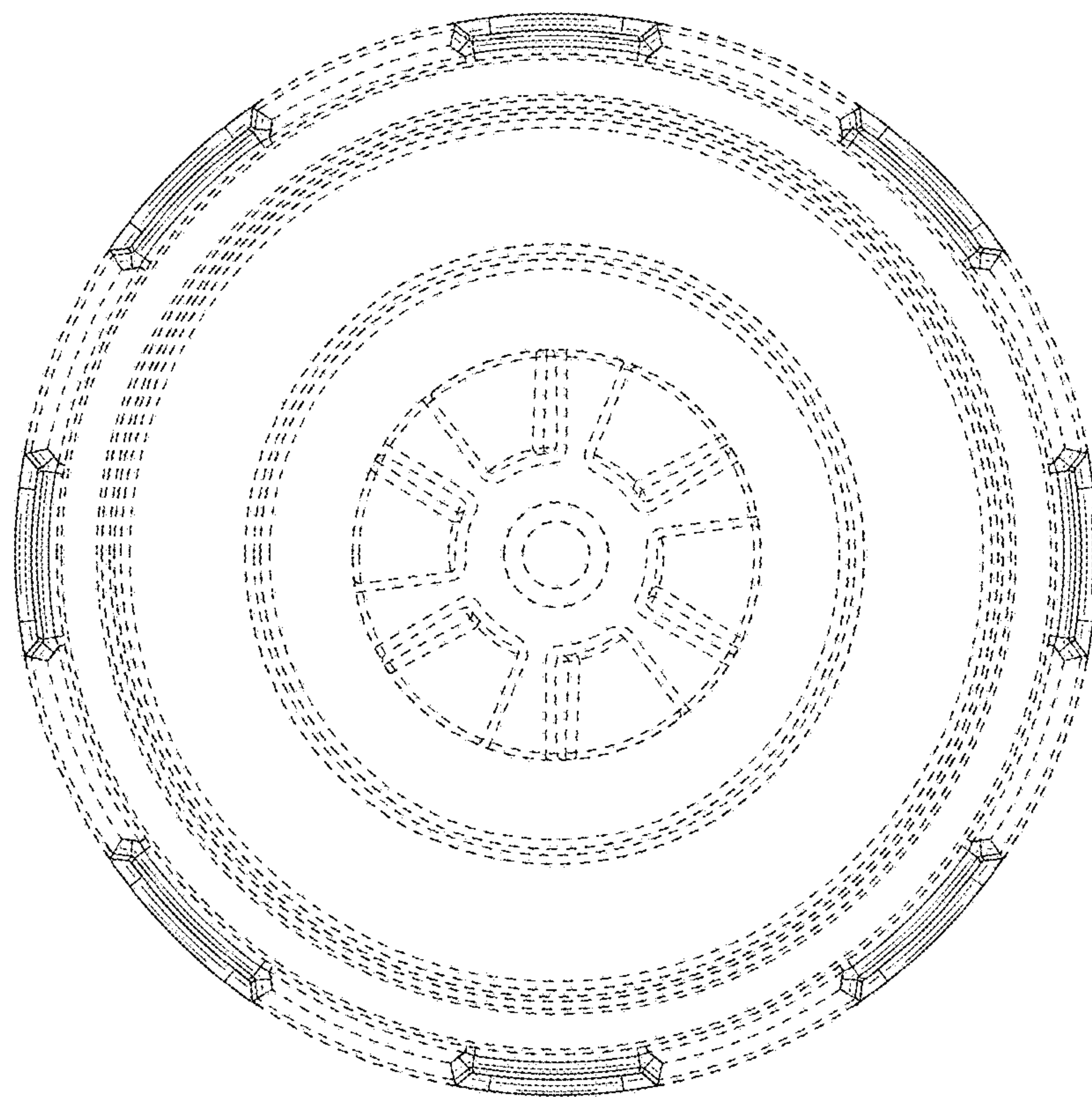


FIG. 7