



US00D783349S

(12) **United States Design Patent** (10) **Patent No.:** **US D783,349 S**
Lira-Nunez et al. (45) **Date of Patent:** **** Apr. 11, 2017**

(54) **GRILL STAND**
(71) Applicants: **Carmen O. Lira-Nunez**, Downers Grove, IL (US); **R. Sonny Siazon**, Woodstock, IL (US); **Mark R. Pavel**, Lisle, IL (US)
(72) Inventors: **Carmen O. Lira-Nunez**, Downers Grove, IL (US); **R. Sonny Siazon**, Woodstock, IL (US); **Mark R. Pavel**, Lisle, IL (US)

5,906,193 A * 5/1999 Leach A47J 37/0786
126/25 R
D424,363 S * 5/2000 Smith D7/334
D435,387 S * 12/2000 Pai D7/334
D460,657 S * 7/2002 Bossler D7/334
D462,563 S * 9/2002 Bossler D7/334
D463,708 S * 10/2002 Bossler D7/334
D471,056 S * 3/2003 Pai D7/334
D619,416 S * 7/2010 Bailey D7/402
2011/0214662 A1 * 9/2011 Contarino, Jr. A47J 37/07
126/25 R

* cited by examiner

(73) Assignee: **Weber-Stephen Products LLC**, Palatine, IL (US)

Primary Examiner — Susan Bennett Hattan
Assistant Examiner — Brett Miller

(**) Term: **15 Years**

(74) *Attorney, Agent, or Firm* — Vitale, Vickrey, Niro & Gasey

(21) Appl. No.: **29/530,659**

(57) **CLAIM**

The ornamental design for a grill stand, as shown and described.

(22) Filed: **Jun. 18, 2015**

(51) **LOC (10) Cl.** **07-02**

(52) **U.S. Cl.**
USPC **D7/403**

DESCRIPTION

(58) **Field of Classification Search**
USPC D7/323-339, 352-353, 402-406, 609, D7/501.1-501.4; 126/25 R, 41 R, 50, 30, 126/242, 245; D9/428, 429
CPC A47J 37/0611; A47J 37/06; A47J 37/0617; A47J 37/07-37/0713; A47J 37/0763; A47J 37/0786

FIG. 1 is a perspective view of the grill stand of the present invention;
FIG. 2 is a right side view of the grill stand of the present invention;
FIG. 3 is a front view of the grill stand of the present invention;
FIG. 4 is a top view of the grill stand of the present invention;
FIG. 5 is a rear view of the grill stand of the present invention;
FIG. 6 is a left side view of the grill stand of the present invention; and,
FIG. 7 is a bottom view of the grill stand of the present invention.

See application file for complete search history.

The broken lines depict environmental subject matter that forms no part of the claimed design.

(56) **References Cited**

U.S. PATENT DOCUMENTS

D170,943 S * 11/1953 Reinecke 126/25 R
D223,042 S * 2/1972 Wilkinson D7/334
4,688,541 A * 8/1987 Stephen A47J 37/0786
126/25 R
D388,658 S * 1/1998 Dutczak D7/403

1 Claim, 7 Drawing Sheets

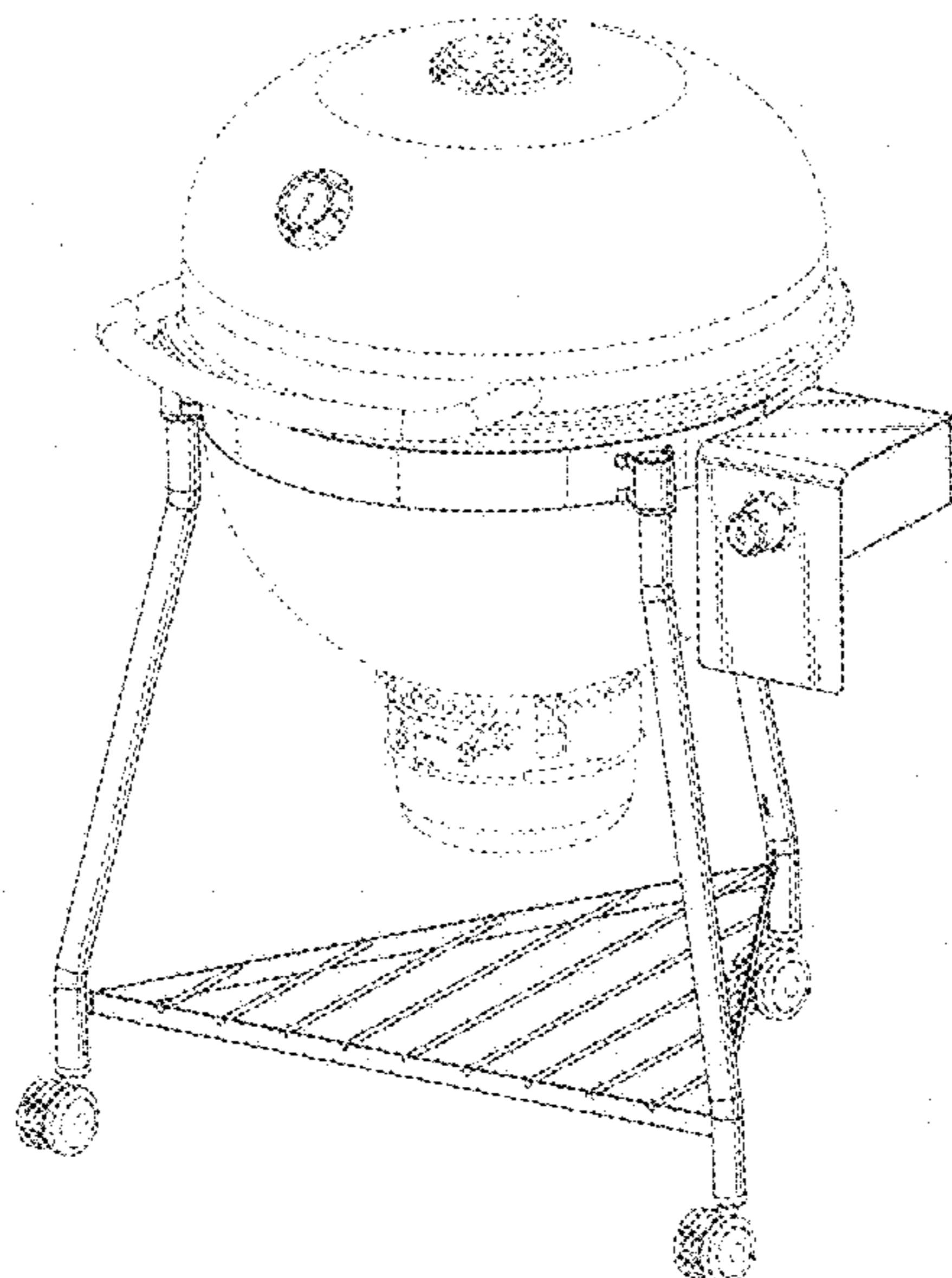


Fig. 1

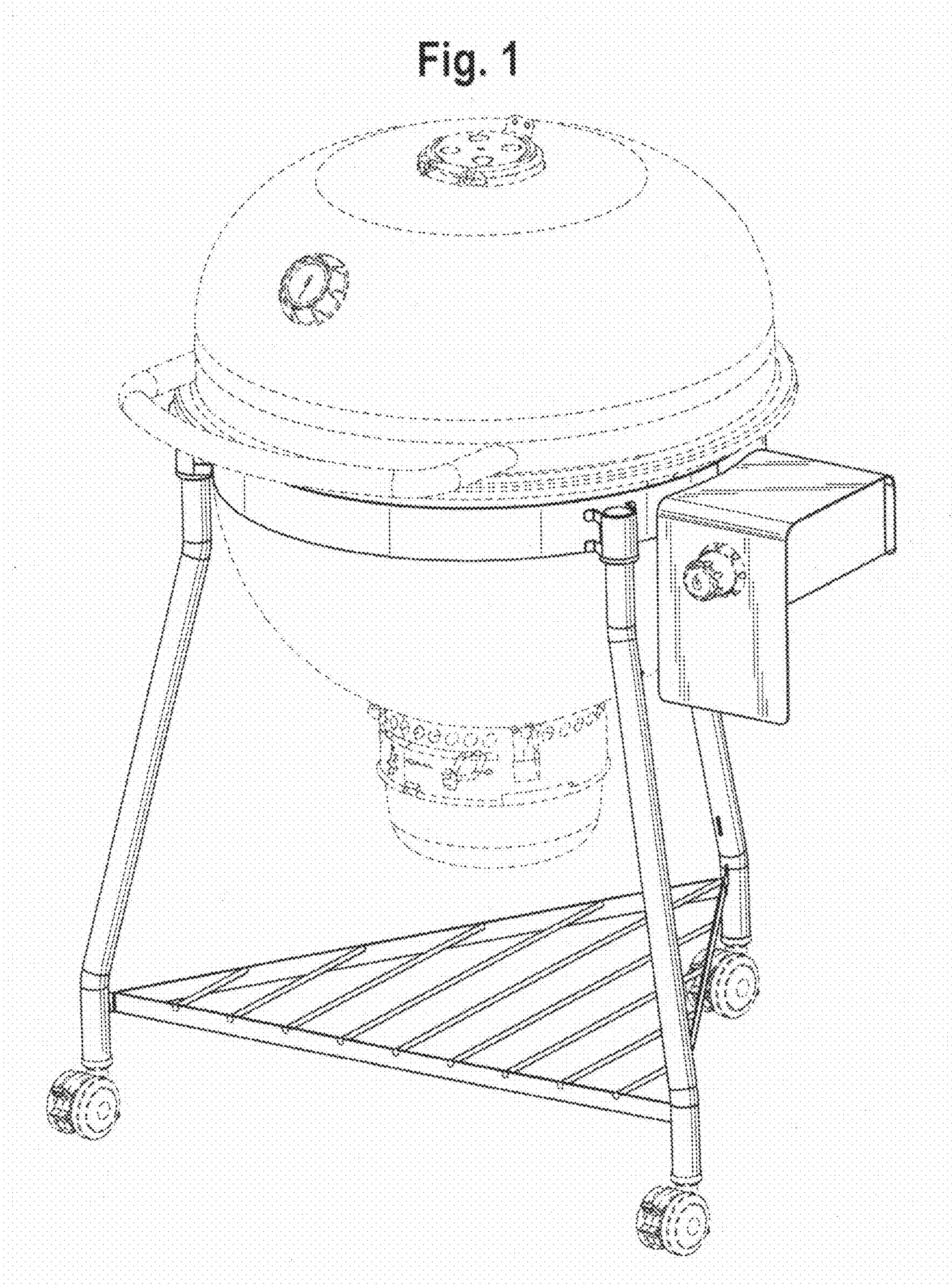


Fig. 2

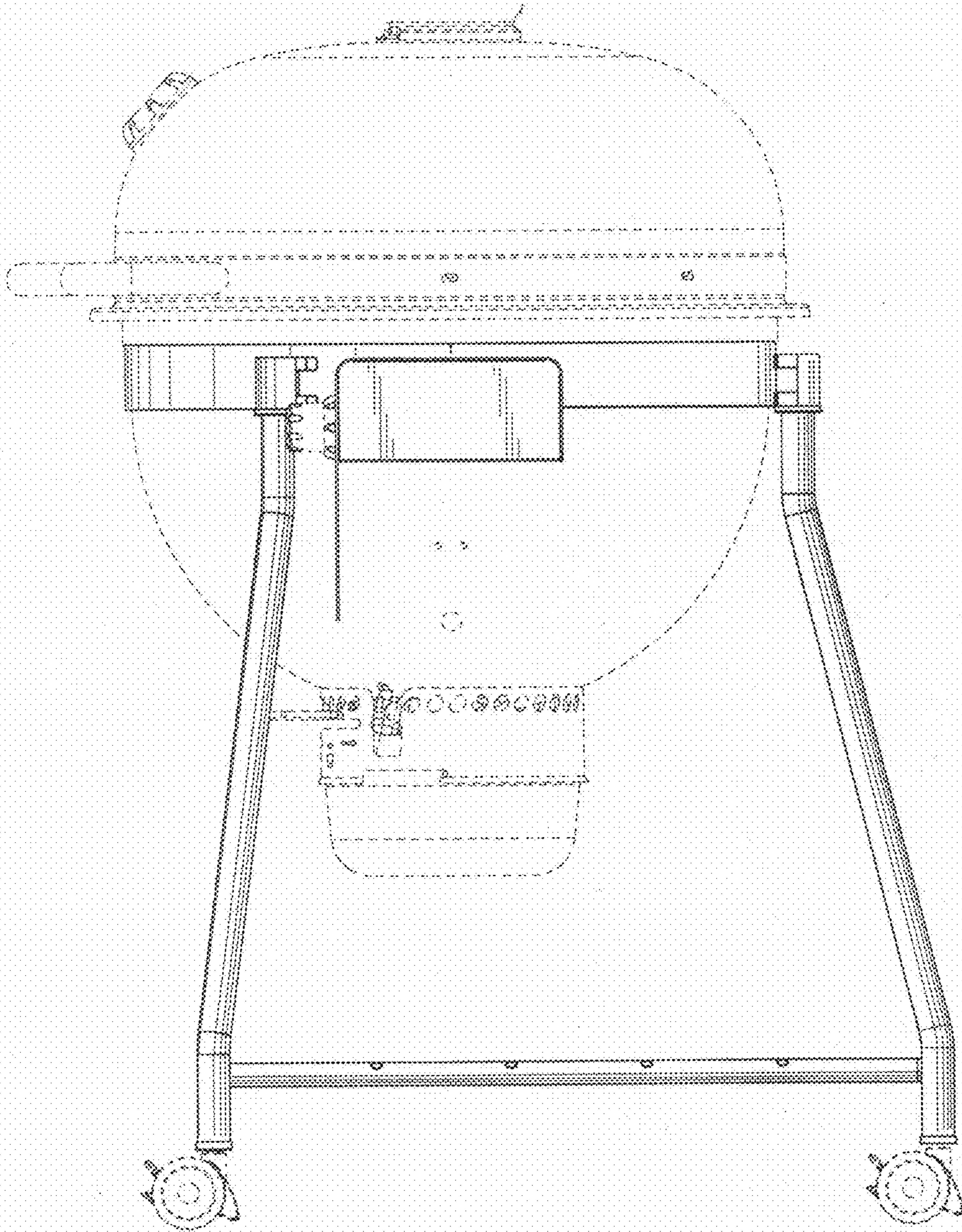


Fig. 3

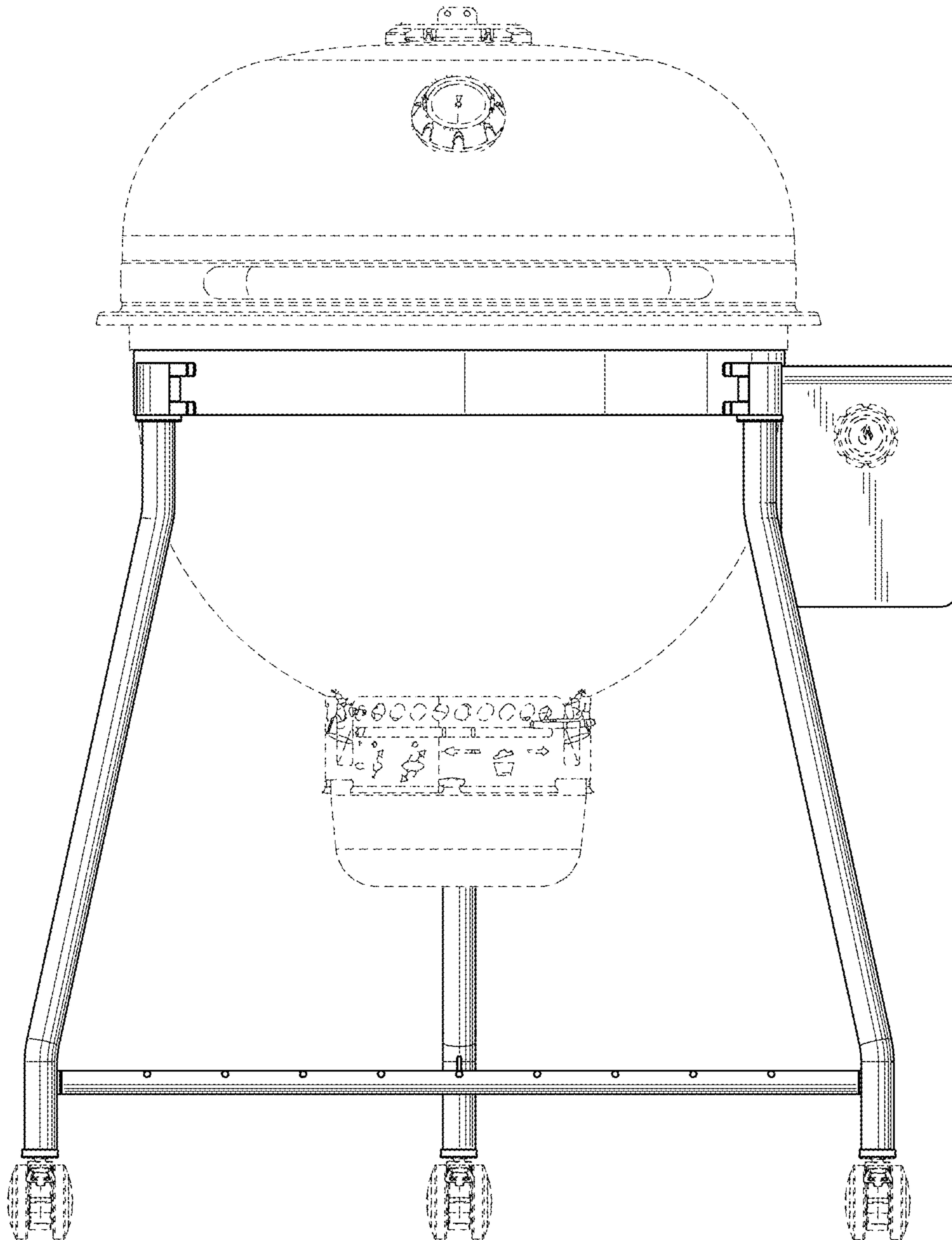


Fig. 4

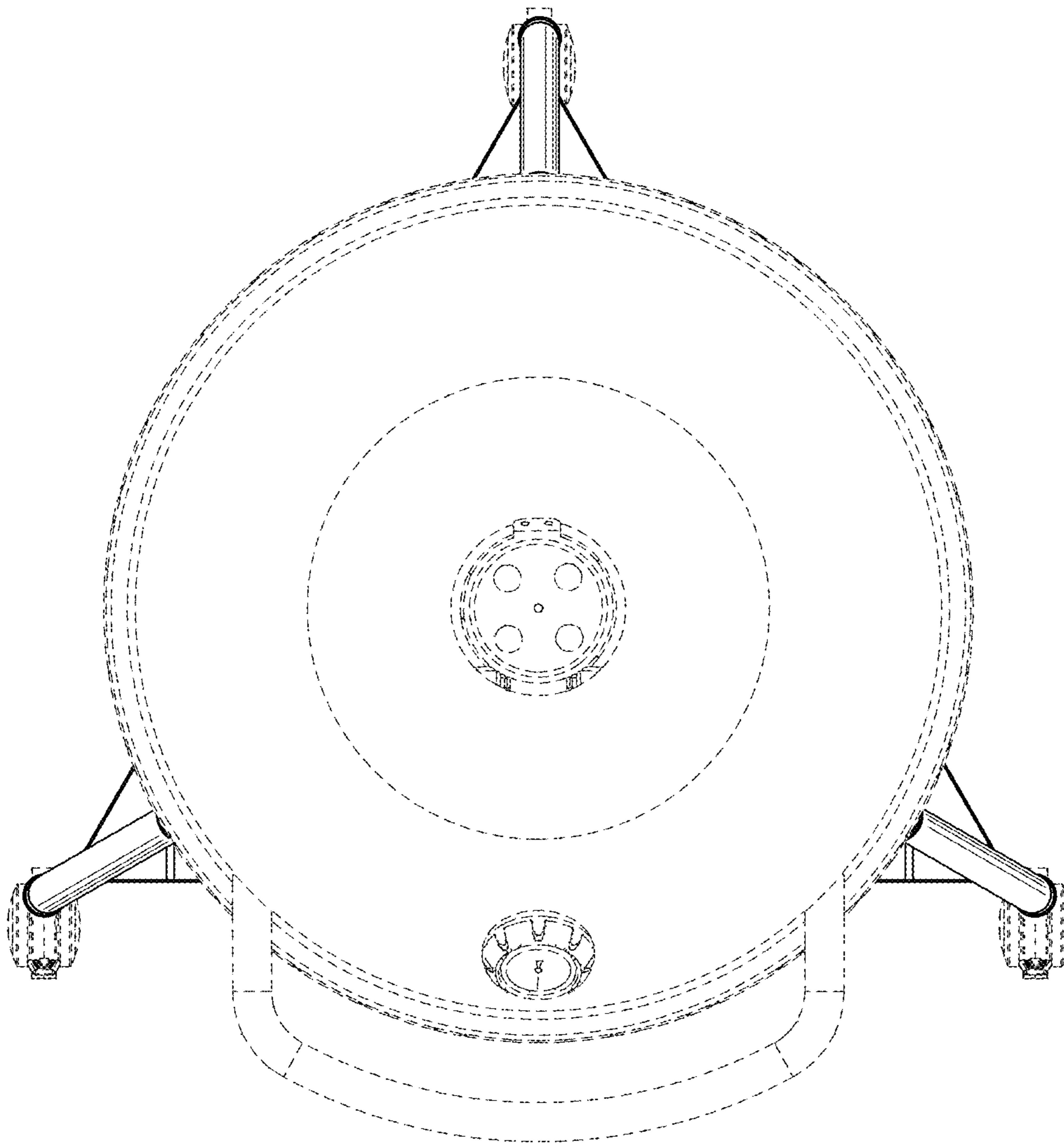


Fig. 5

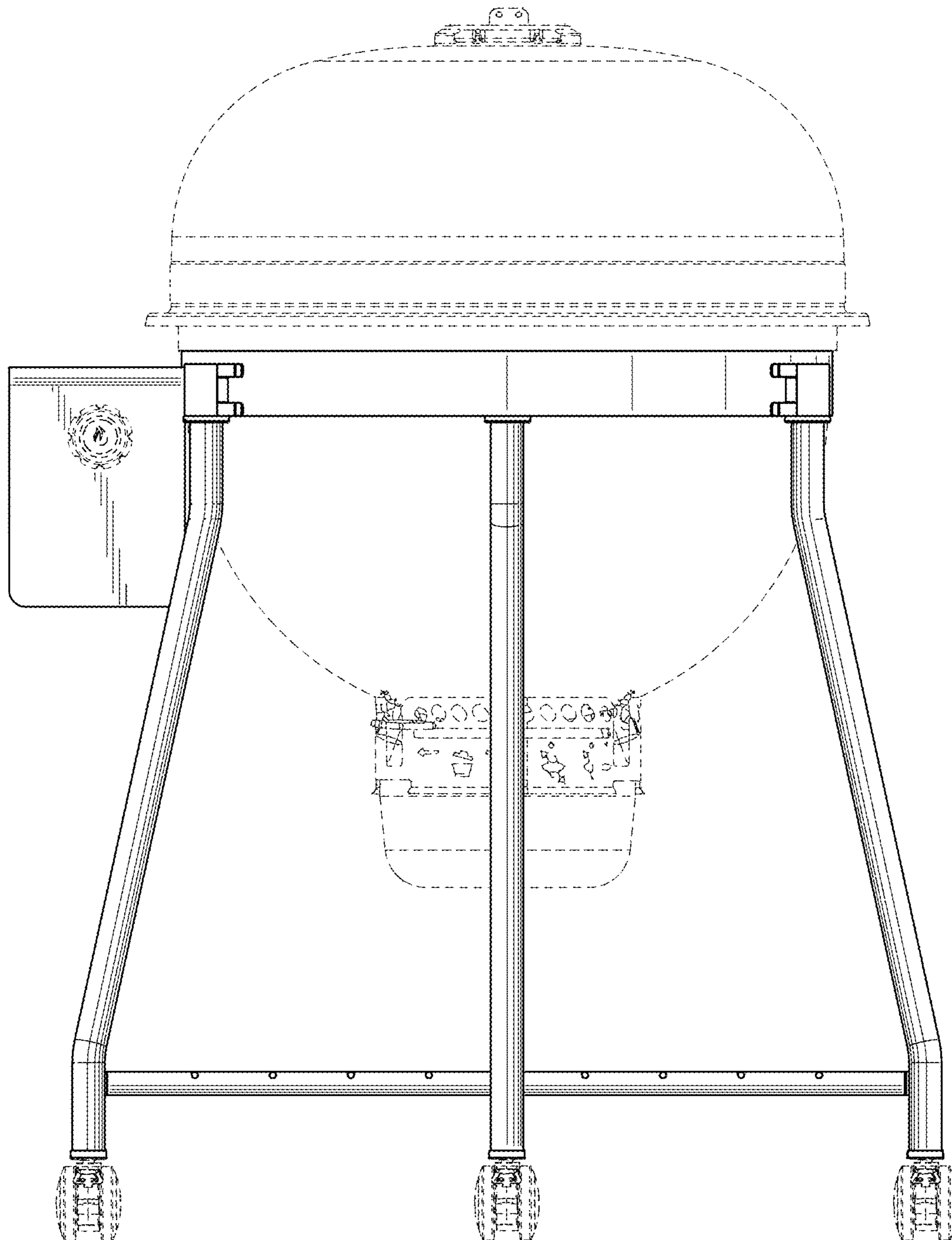


Fig. 6

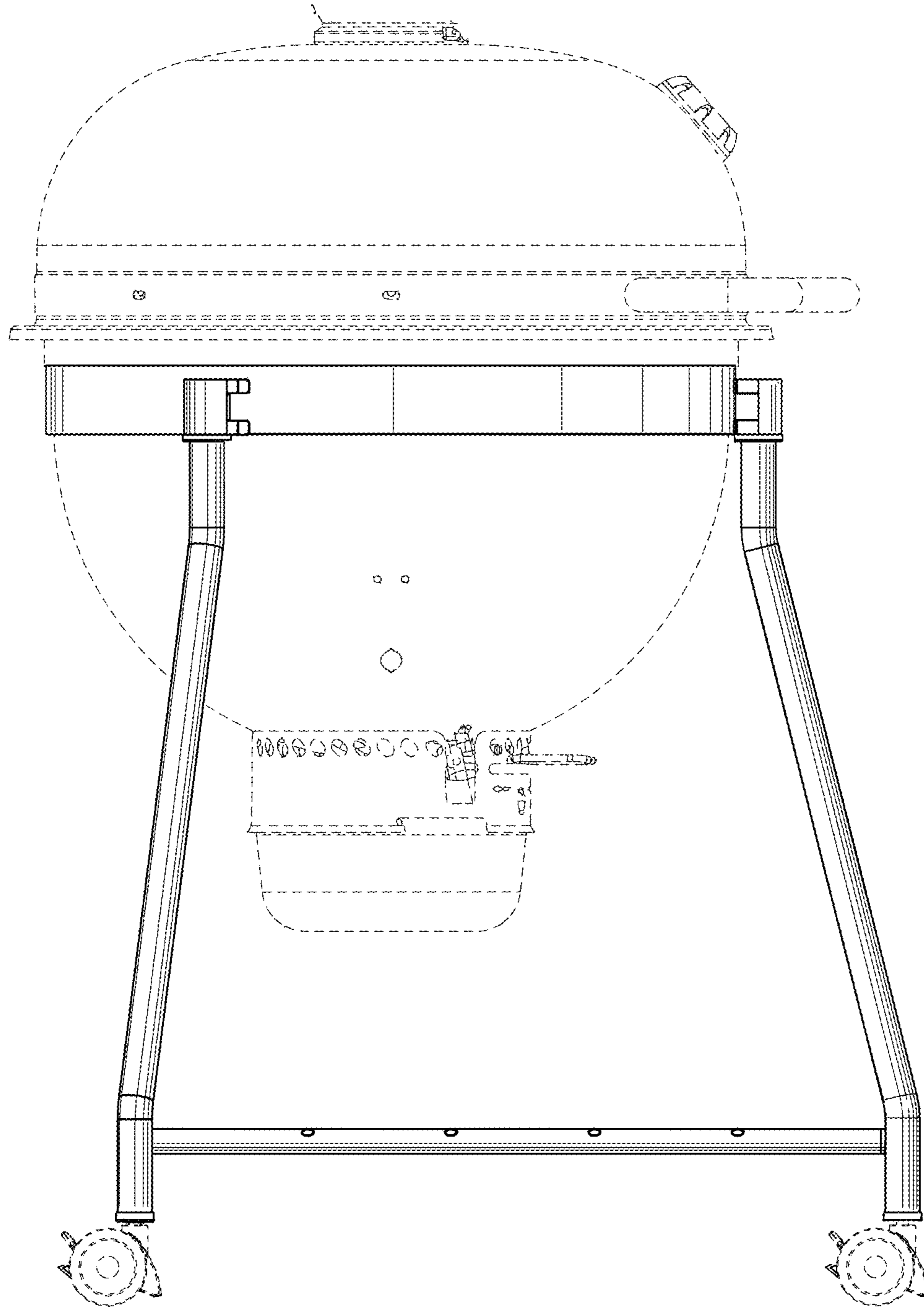


Fig. 7

