



US00D783348S

(12) **United States Design Patent**  
**Kestenbaum**

(10) **Patent No.:** **US D783,348 S**

(45) **Date of Patent:** **\*\* Apr. 11, 2017**

(54) **BREW BASKET**

(71) Applicant: **SharkNinja Operating LLC**, Newton, MA (US)

(72) Inventor: **Daniel Kestenbaum**, Cambridge, MA (US)

(73) Assignee: **SHARKNINJA OPERATING LLC**, Newton, MA (US)

(\*\*) Term: **14 Years**

(21) Appl. No.: **29/523,302**

(22) Filed: **Apr. 8, 2015**

**Related U.S. Application Data**

(63) Continuation of application No. 29/488,691, filed on Apr. 22, 2014, now Pat. No. Des. 736,025.

(51) **LOC (10) Cl.** ..... **07-01**

(52) **U.S. Cl.**  
USPC ..... **D7/400**; D7/399; D7/401

(58) **Field of Classification Search**  
USPC ..... D7/306-311, 305, 300, 313, 400, 397, D7/399, 401; 99/279, 284, 290, 280, 299, 99/307, 323.1; 222/23, 129.1; 62/395; D20/1

CPC ..... A47J 31/44; A47J 31/00; B67D 1/0041; B67D 3/00

See application file for complete search history.

(56) **References Cited**

**U.S. PATENT DOCUMENTS**

D220,579 S 4/1971 Wickenberg et al.  
D234,285 S \* 2/1975 Wickenberg ..... D7/309  
D240,386 S \* 7/1976 Stuetzer ..... D7/309  
D254,892 S \* 5/1980 Smit ..... D7/309

D255,313 S \* 6/1980 Elkerbout ..... D7/400  
D289,726 S \* 5/1987 Greutert ..... D7/310  
4,721,034 A \* 1/1988 Shimomura ..... A47J 31/047  
99/280  
D307,754 S \* 5/1990 Osrow ..... D15/82  
D334,684 S \* 4/1993 Hoffmann ..... D7/309  
D360,106 S \* 7/1995 Sintchak ..... D7/399  
D379,049 S \* 5/1997 Amiel ..... D7/305  
D404,604 S 1/1999 Pochopien et al.  
D409,875 S \* 5/1999 Alonge ..... D7/309  
D414,647 S \* 10/1999 Driscoll ..... D7/309  
D489,214 S 5/2004 Noda et al.

(Continued)

*Primary Examiner* — Marianne Pandozzi

(74) *Attorney, Agent, or Firm* — Cantor Colburn LLP

(57) **CLAIM**

I claim, the ornamental design for a brew basket, as shown and described.

**DESCRIPTION**

FIG. 1 is a perspective view of a brew basket, showing our new design in an exemplary embodiment;

FIG. 2 is another perspective view of the embodiment shown in FIG. 1;

FIG. 3 is a front view of the embodiment shown in FIG. 1;

FIG. 4 is a back view of the embodiment shown in FIG. 1;

FIG. 5 is a top plan view of the embodiment shown in FIG. 1;

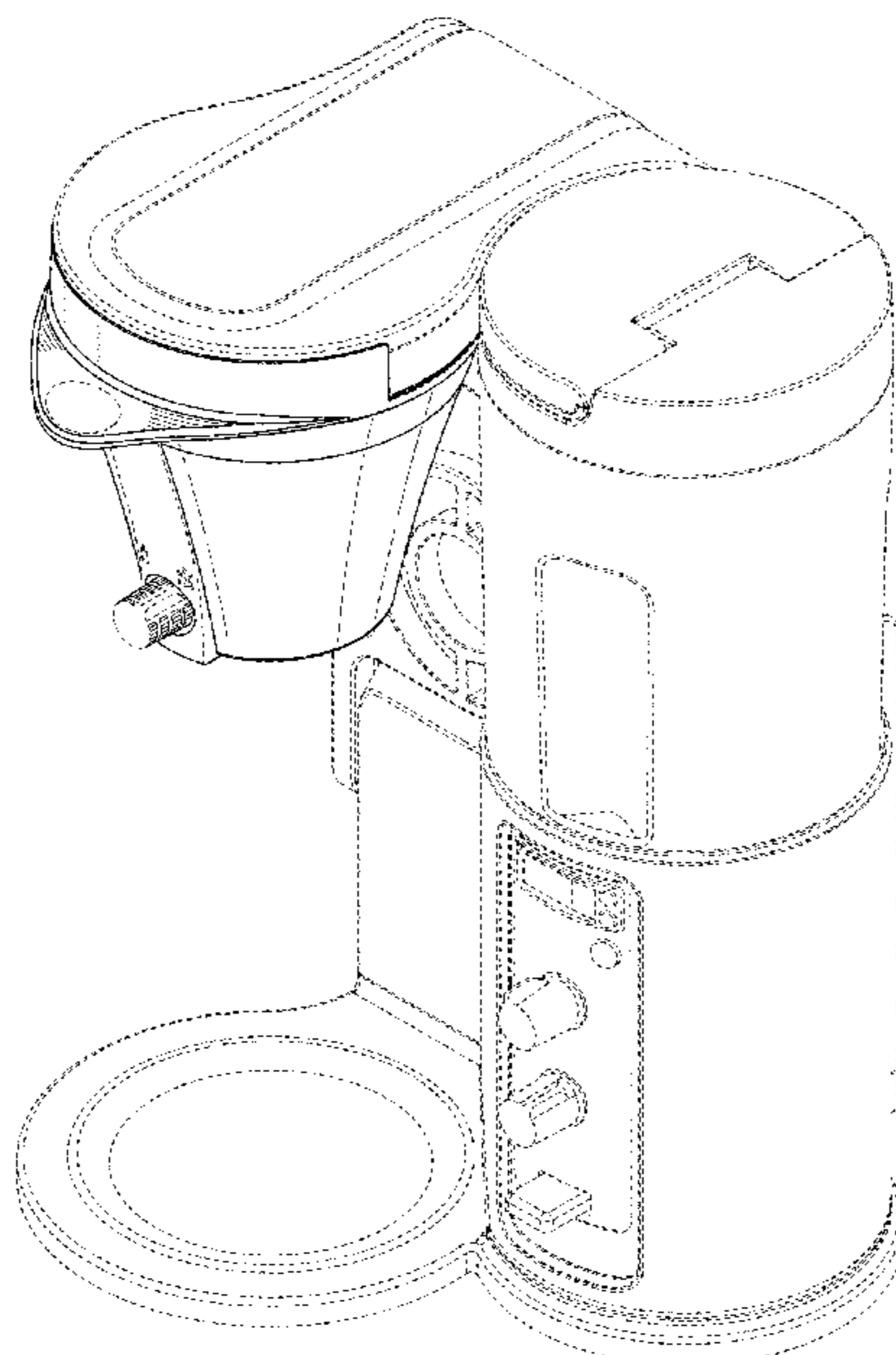
FIG. 6 is a bottom plan view of the embodiment shown in FIG. 1;

FIG. 7 is a side view of the embodiment shown in FIG. 1; and,

FIG. 8 is another side view of the embodiment shown in FIG. 1.

The broken lines are for environmental purpose only and form no part of the claimed design.

**1 Claim, 8 Drawing Sheets**



(56)

**References Cited**

U.S. PATENT DOCUMENTS

D496,553 S *	9/2004	Bodum .....	D7/309
D501,352 S	2/2005	Lin	
D507,449 S	7/2005	Burton et al.	
D514,371 S *	2/2006	Yang .....	D7/306
D522,402 S	6/2006	Johari et al.	
D556,498 S	12/2007	Harris et al.	
D560,950 S *	2/2008	Schwamkrug .....	D7/309
D581,197 S	11/2008	Kassenaar	
D584,922 S	1/2009	Spiegel	
D585,229 S *	1/2009	de Visser .....	D7/309
D596,442 S *	7/2009	Cahen .....	D7/309
D627,188 S	11/2010	Picozza et al.	
D703,989 S *	5/2014	Garman .....	D7/305
D712,188 S *	9/2014	Averty .....	D7/309
D714,088 S *	9/2014	Cahen .....	D7/309
D718,563 S *	12/2014	Deman .....	D7/305
D718,972 S *	12/2014	Jorgensen .....	D7/309
D726,478 S	4/2015	Cahen	
D728,988 S	5/2015	Warburton	
D736,025 S	8/2015	Kestenbaum	
D745,307 S	12/2015	Kestenbaum	
D767,331 S *	9/2016	Burrows .....	D7/399

\* cited by examiner

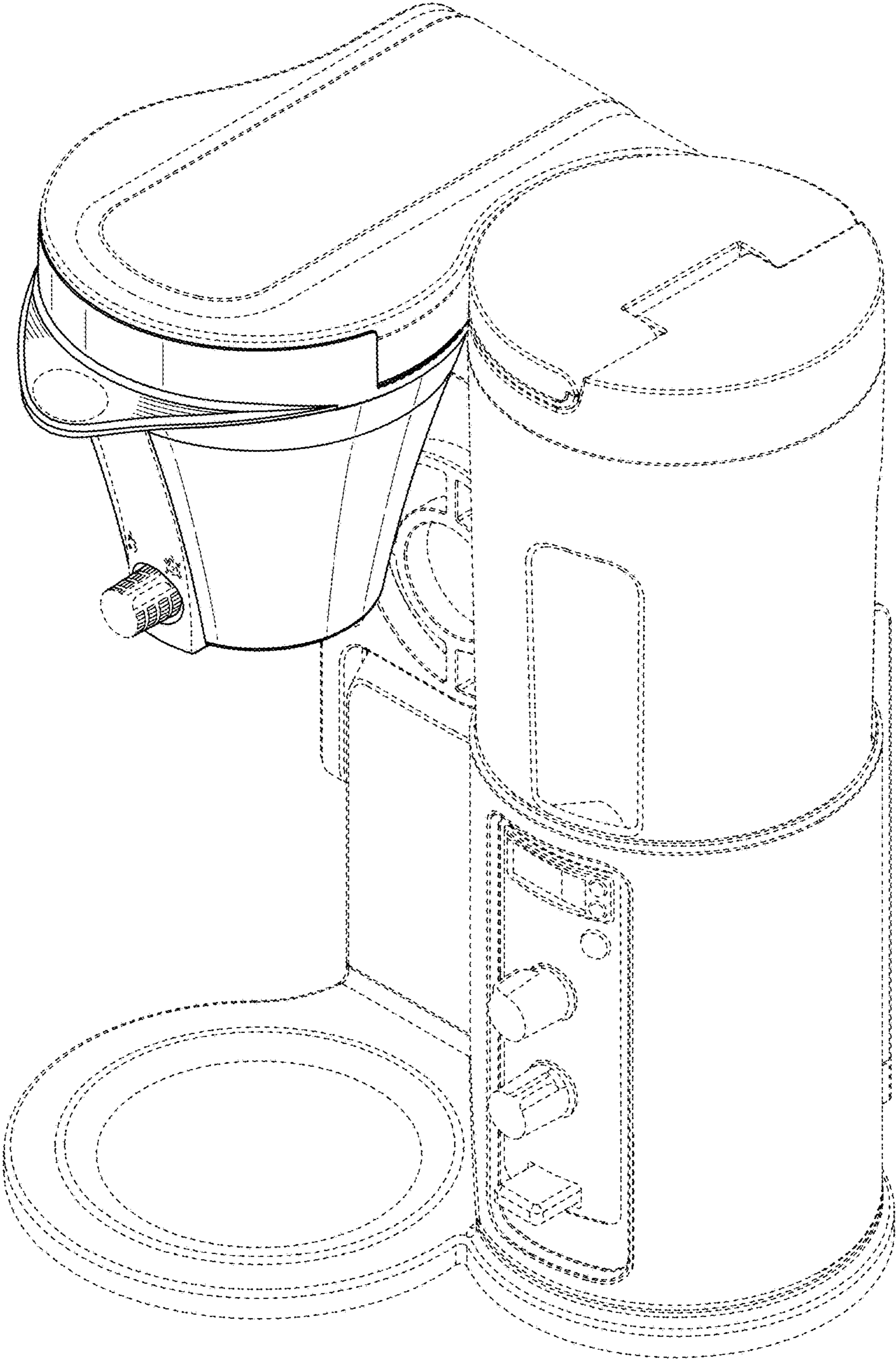


FIG. 1

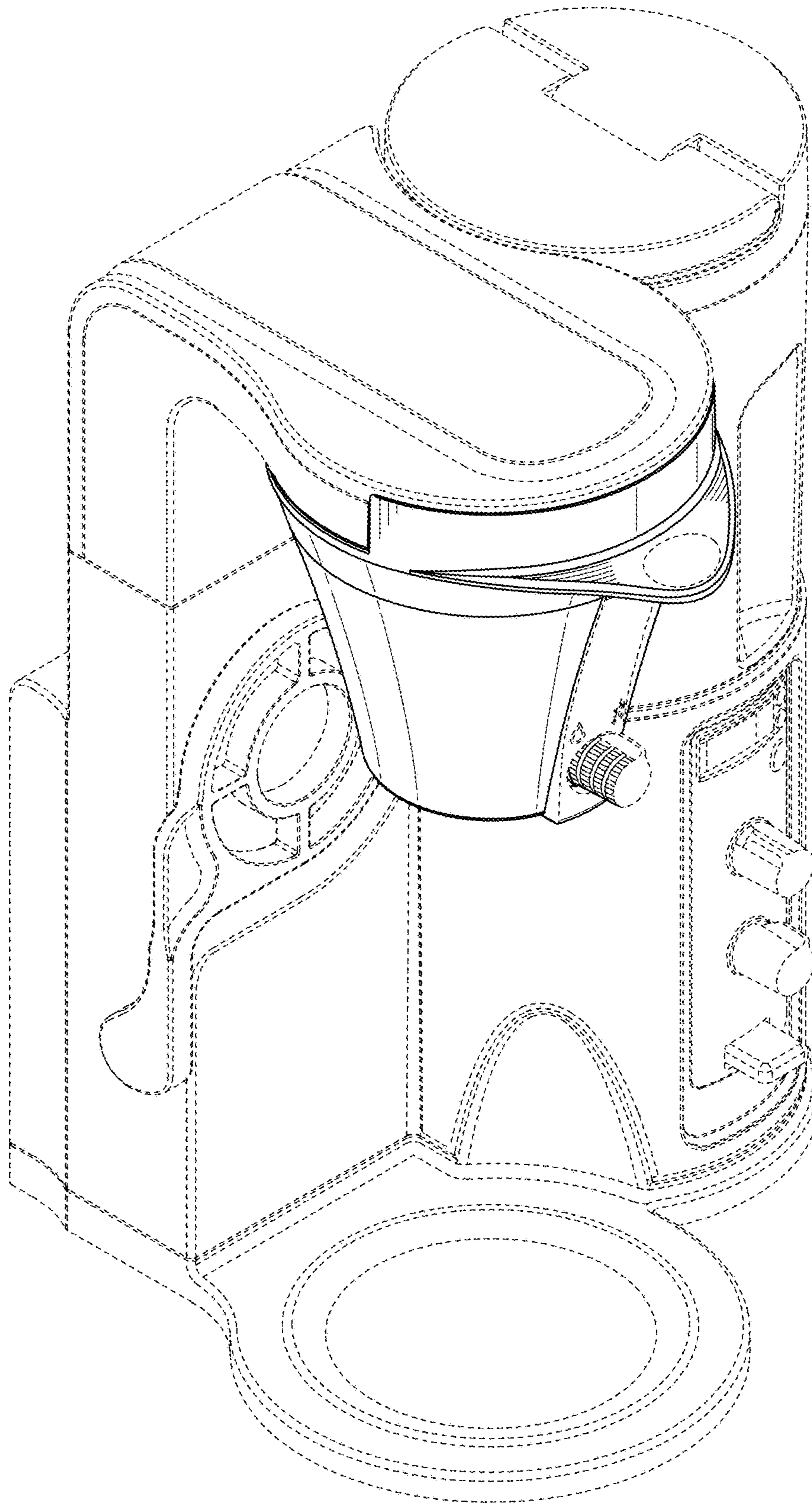


FIG. 2

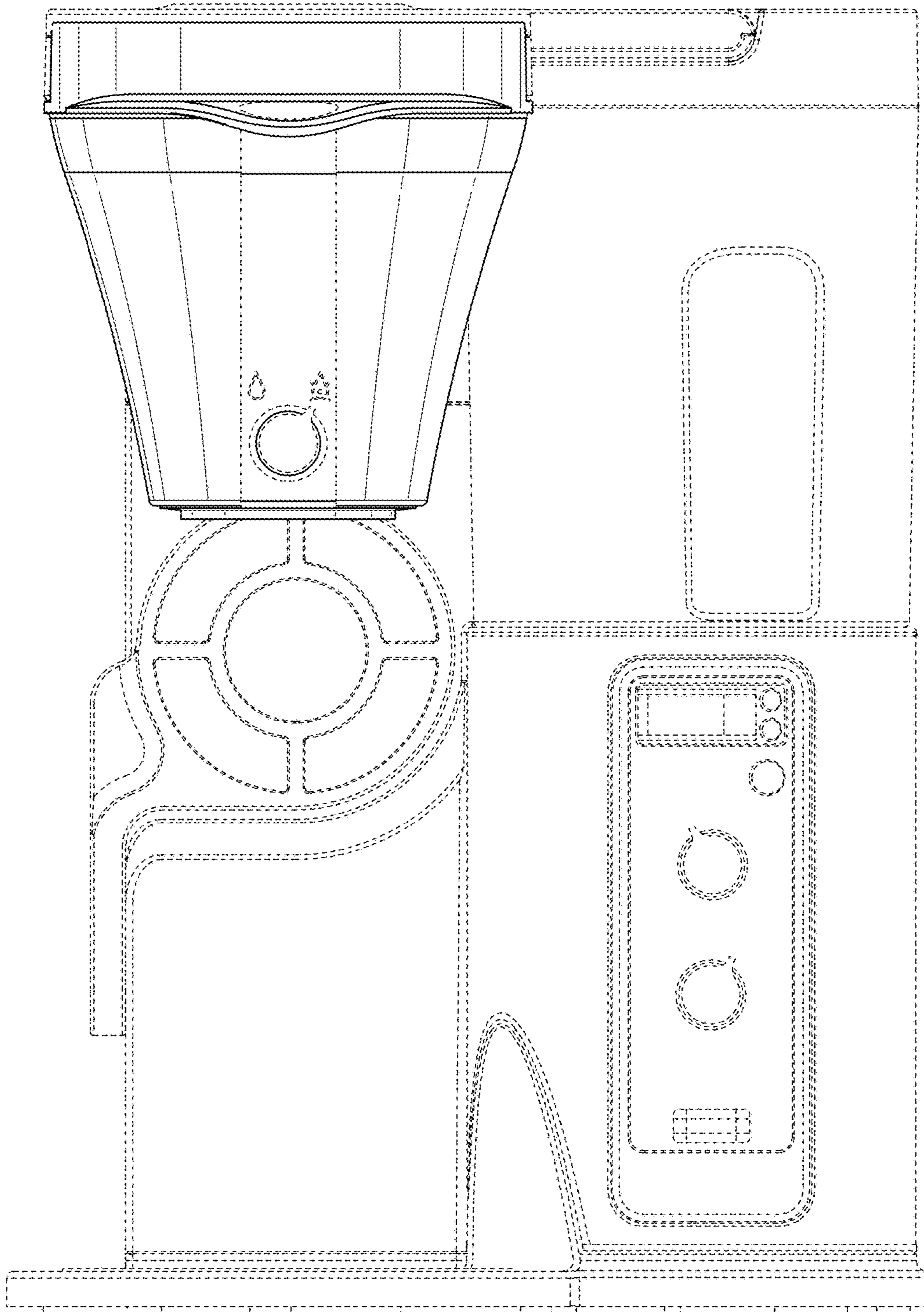


FIG. 3

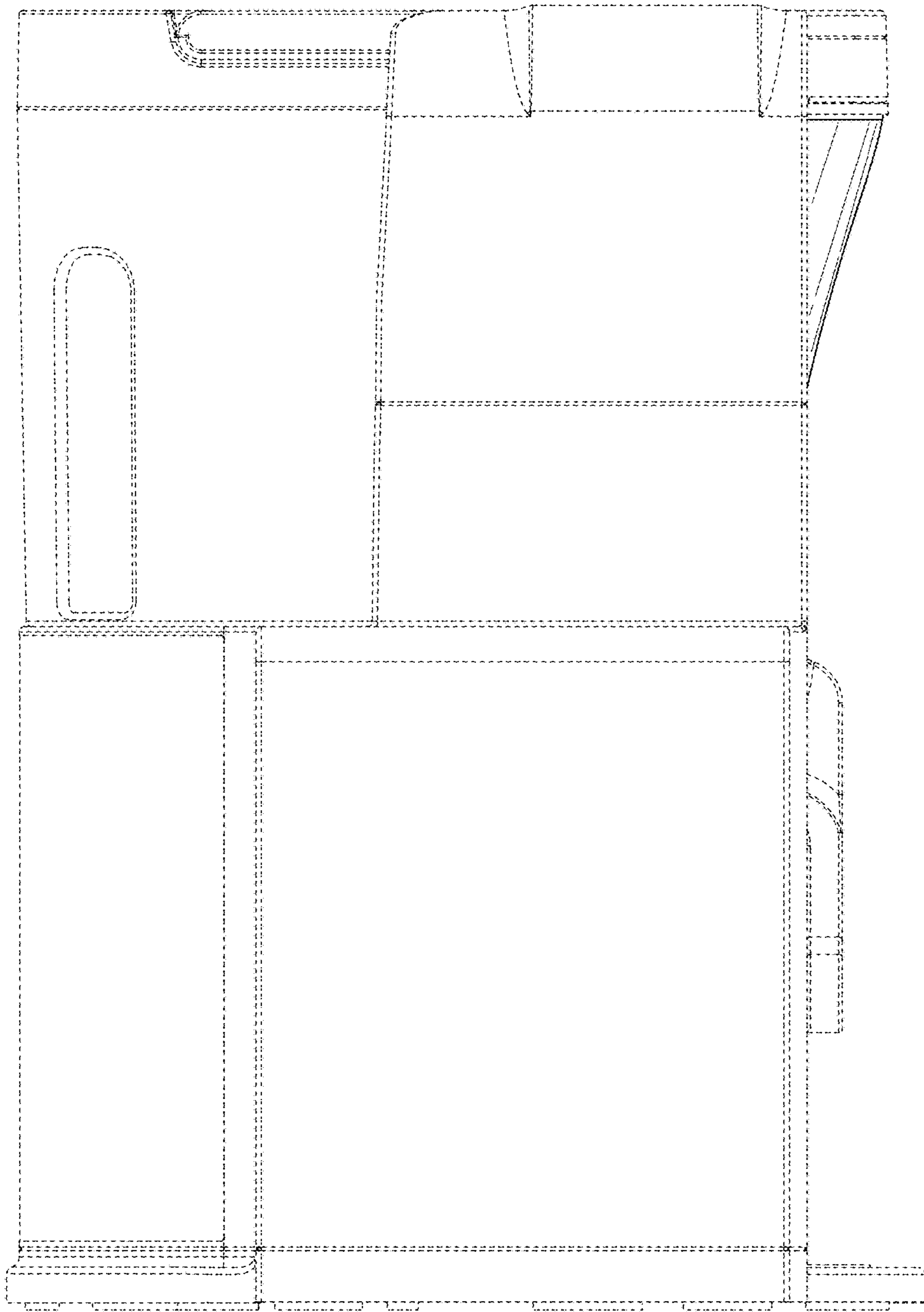


FIG. 4

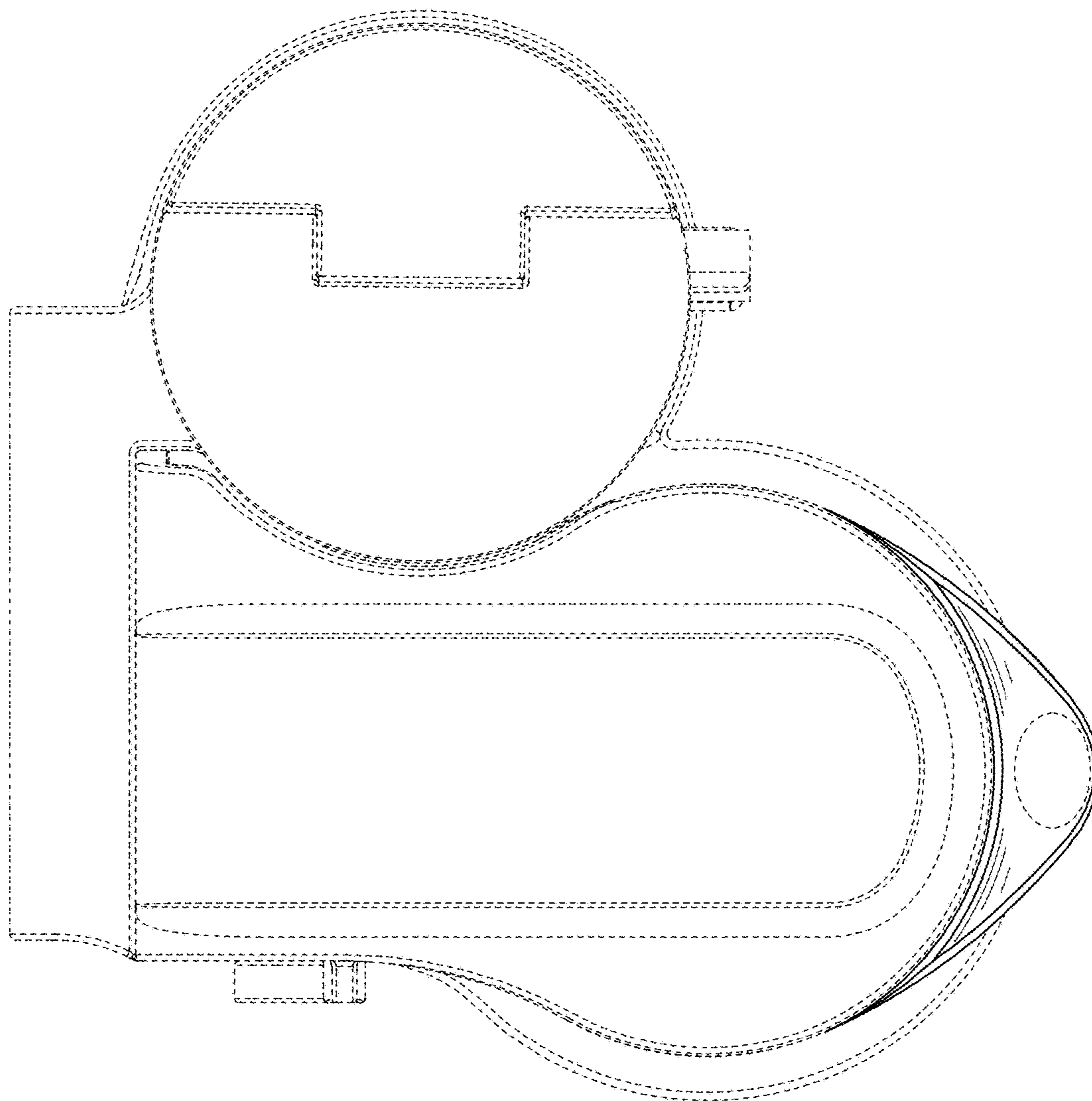


FIG. 5

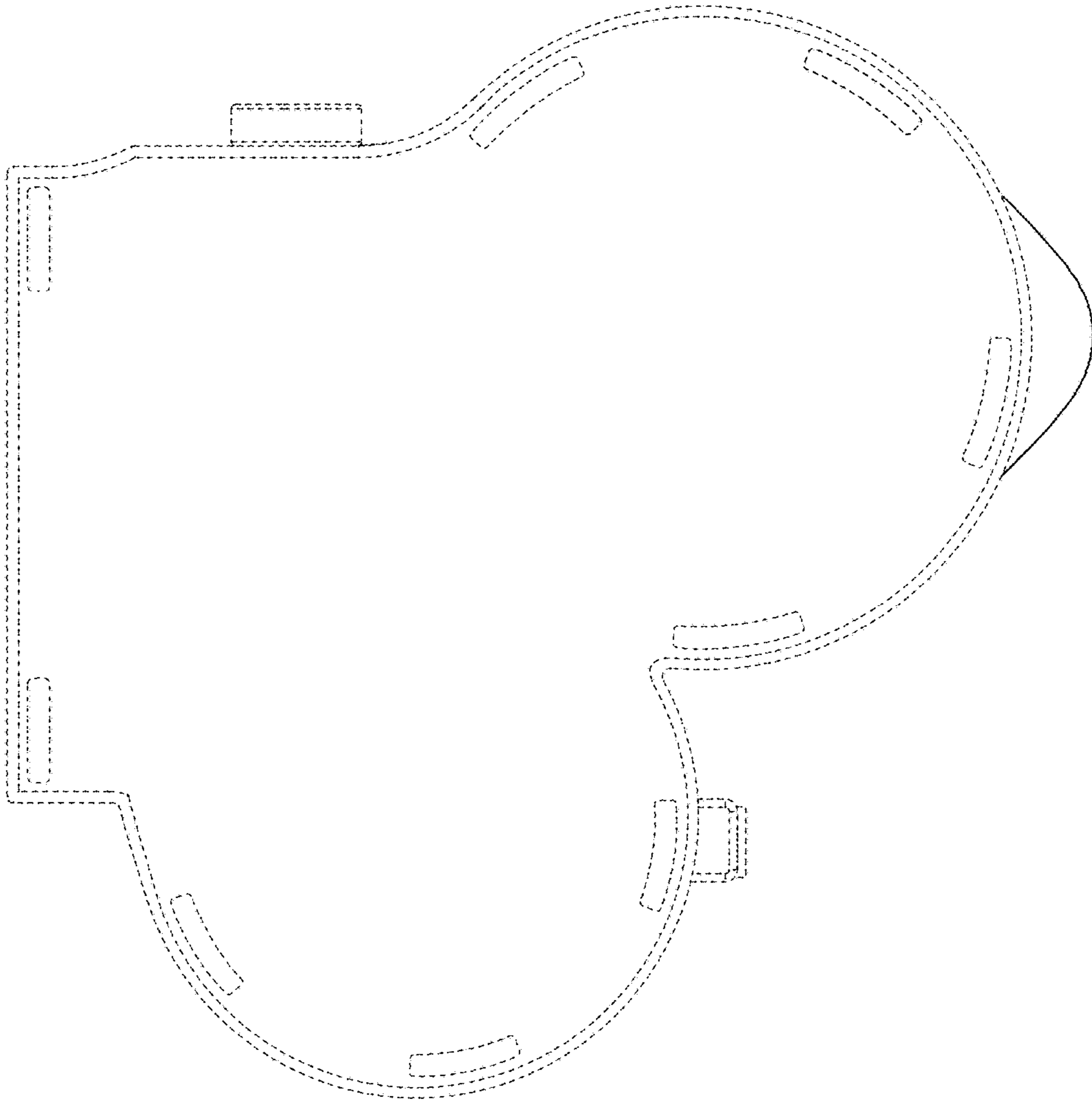


FIG. 6



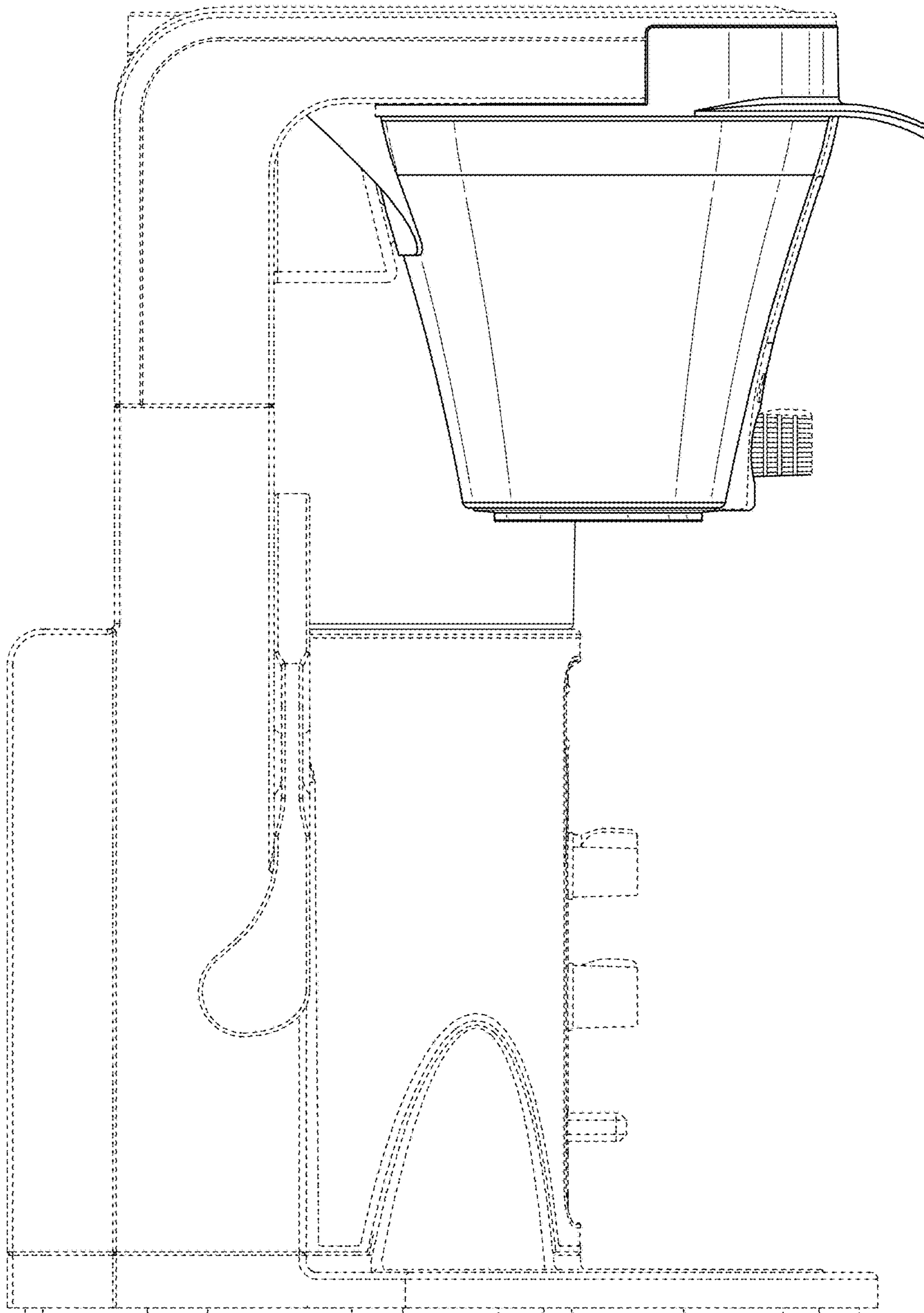


FIG. 7

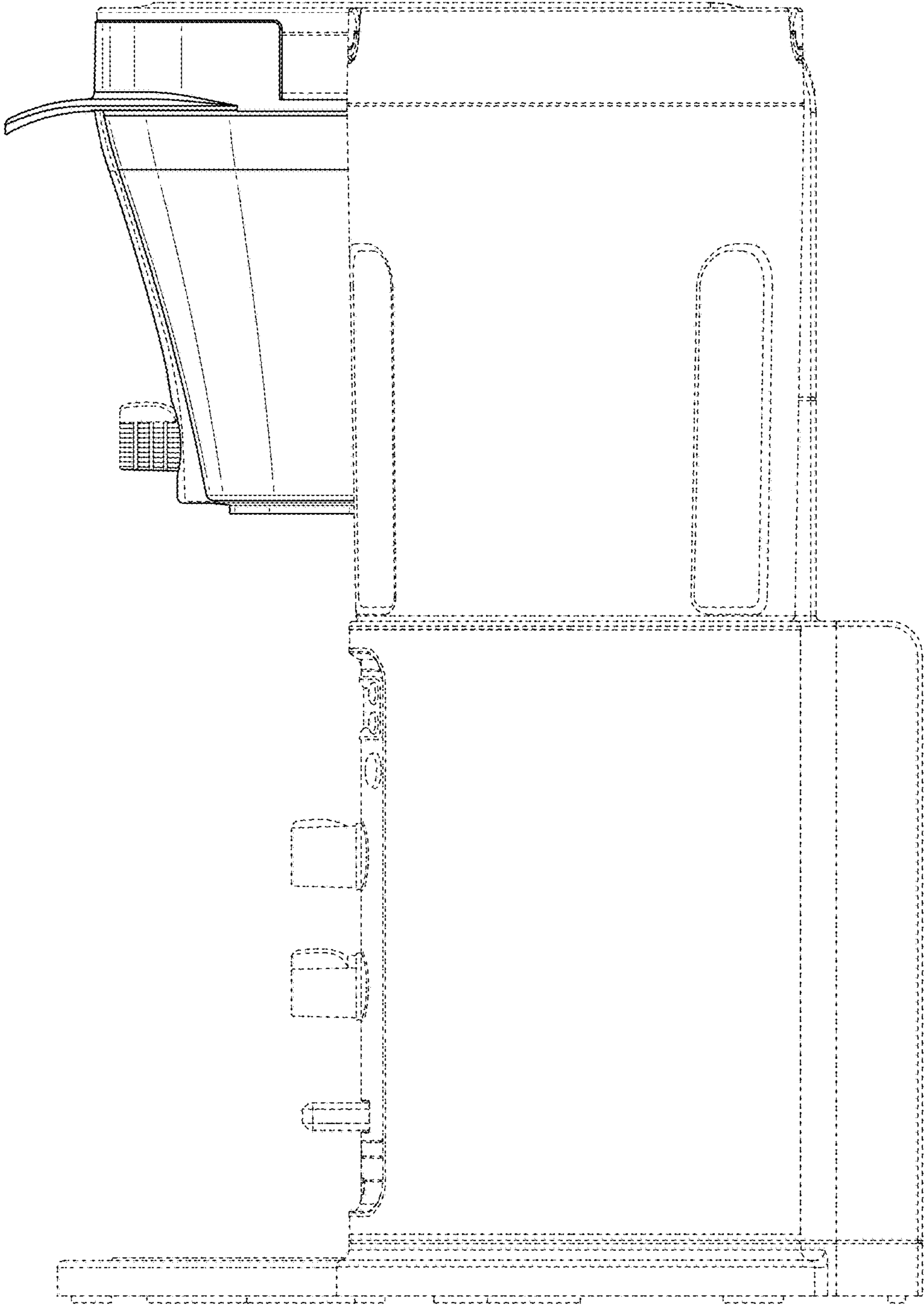


FIG. 8