



US00D783346S

(12) **United States Design Patent** (10) **Patent No.:** **US D783,346 S**
Dobbs (45) **Date of Patent:** **** Apr. 11, 2017**

(54) **BEER TAP HANDLE**

D738,162 S * 9/2015 Watters D7/397
9,315,291 B2 * 4/2016 Kelly B65D 19/02
9,364,085 B2 * 6/2016 McCain

(71) Applicant: **Blaine Alan Dobbs**, Sugar Land, TX
(US)

* cited by examiner

(72) Inventor: **Blaine Alan Dobbs**, Sugar Land, TX
(US)

Primary Examiner — Marianne Pandozzi
(74) *Attorney, Agent, or Firm* — Finnegan, Henderson,
Farabow, Garrett & Dunner LLP

(**) Term: **15 Years**

(57) **CLAIM**

(21) Appl. No.: **29/533,918**

The ornamental design for beer tap handle, as shown and described.

(22) Filed: **Jul. 23, 2015**

DESCRIPTION

(51) **LOC (10) Cl.** **07-01**

(52) **U.S. Cl.**

USPC **D7/398**; D7/397

(58) **Field of Classification Search**

USPC D7/393, 395, 398, 397, 308, 307, 701,
D7/399; 141/362

CPC A63B 5/20; B25F 1/02; D67D 1/1405;
D67D 1/0872

See application file for complete search history.

FIG. 1 is a front top perspective view of a beer tap handle showing my new design, the side and rear top perspective views being identical thereto;

FIG. 2 is a front elevation view thereof, the side and rear elevation views being identical thereto;

FIG. 3 is an enlarged front elevation view thereof, the side and rear elevation views being identical thereto;

FIG. 4 is an enlarged front bottom perspective view, the side and rear bottom perspective views being identical thereto; and,

FIG. 5 is a an enlarged front top perspective view thereof, the side and rear top perspective views being identical thereto.

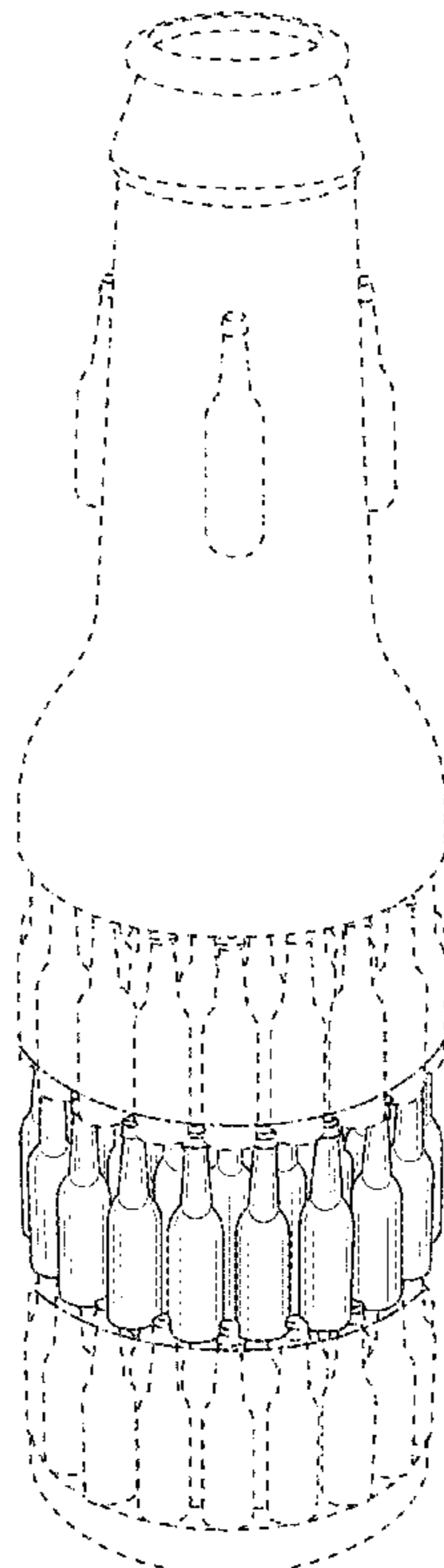
The broken lines of even length in the drawing depict portions of the Beer Tap Handle that form no part of the claimed design. The broken lines of uneven length set forth the outer boundary of the claimed design.

(56) **References Cited**

U.S. PATENT DOCUMENTS

D92,498 S * 6/1934 Slayton et al. D14/189
D92,499 S * 6/1934 Slayton et al. D14/189
D351,535 S * 10/1994 Renegar D6/512
D543,078 S * 5/2007 Davalos D7/701
7,219,790 B2 * 5/2007 Lanfranchi B65G 47/848
198/471.1
D587,552 S * 3/2009 Collard D8/98

1 Claim, 5 Drawing Sheets



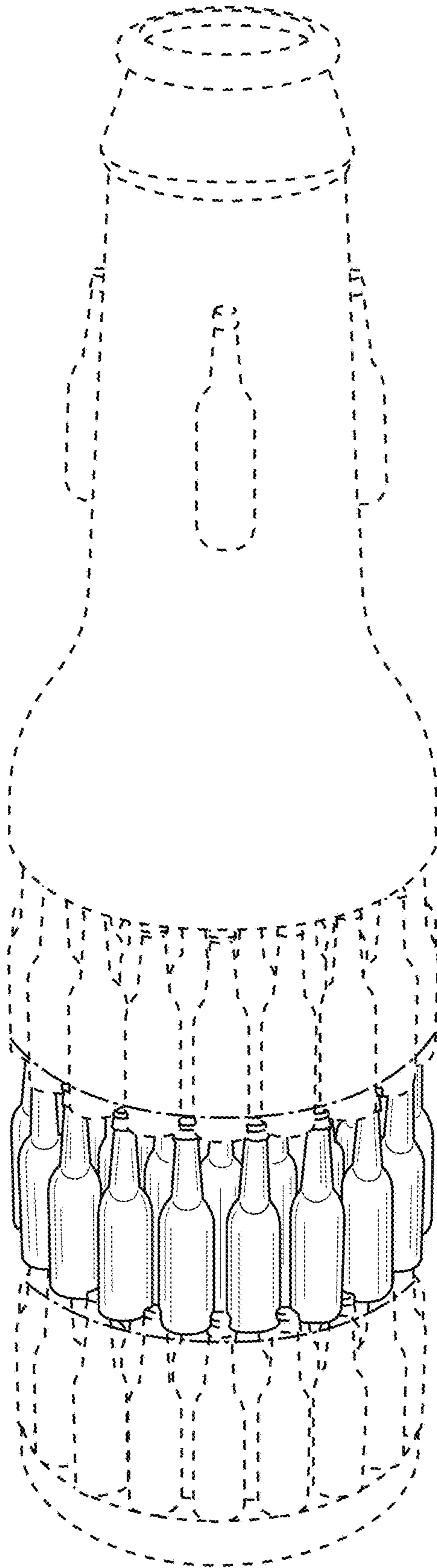


FIG. 1

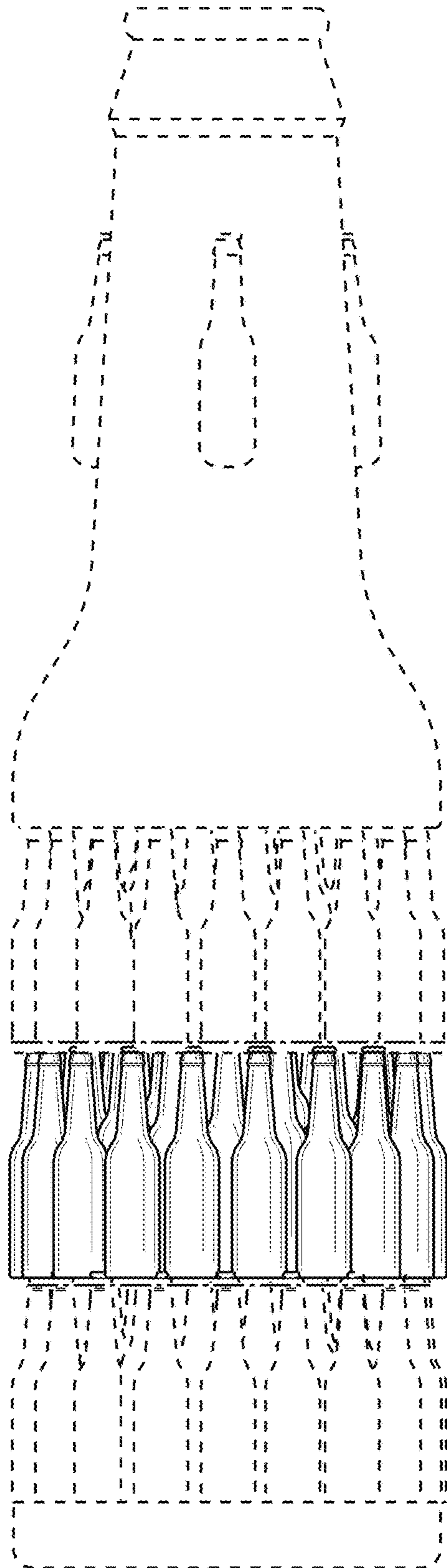


FIG. 2

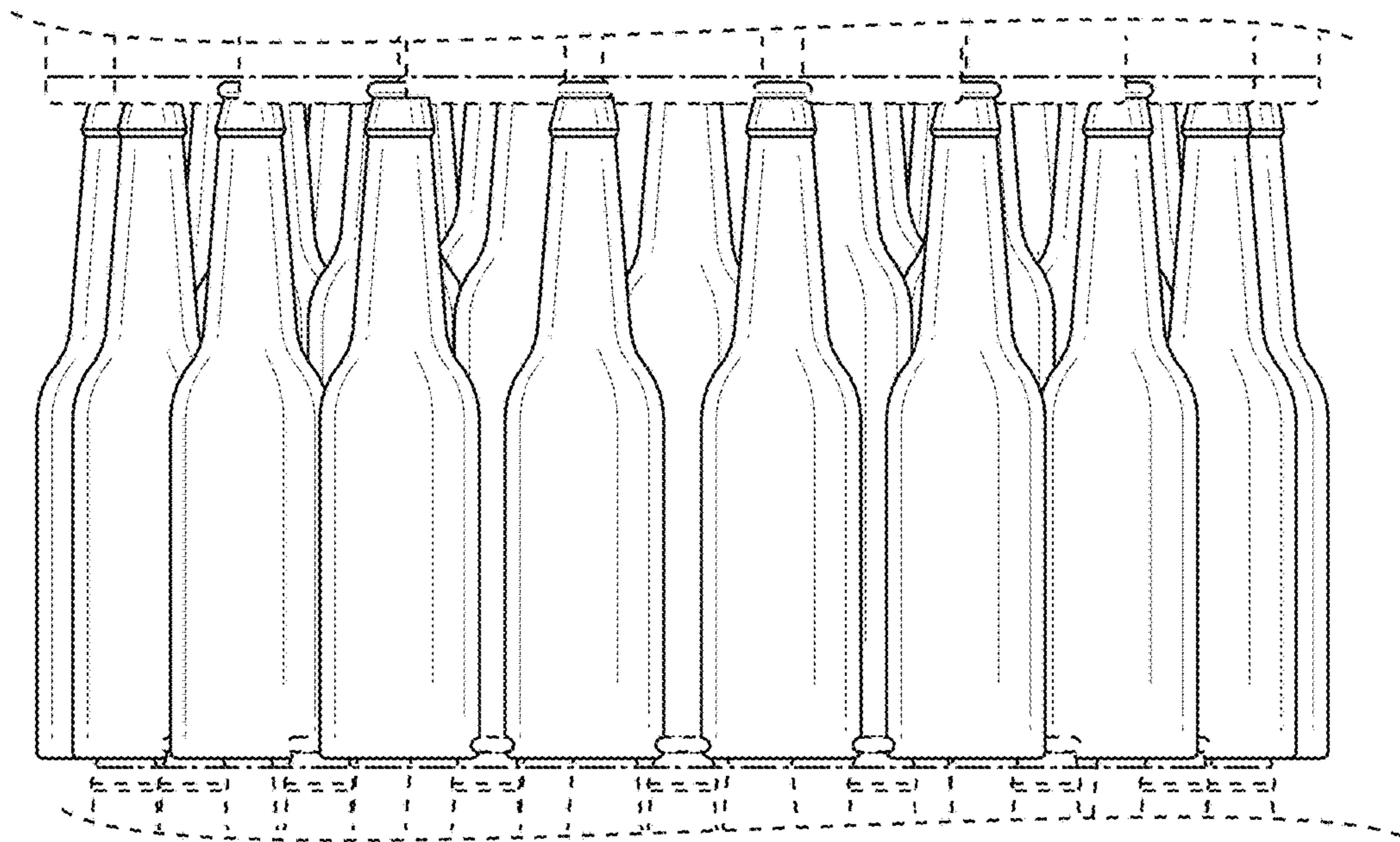


FIG. 3

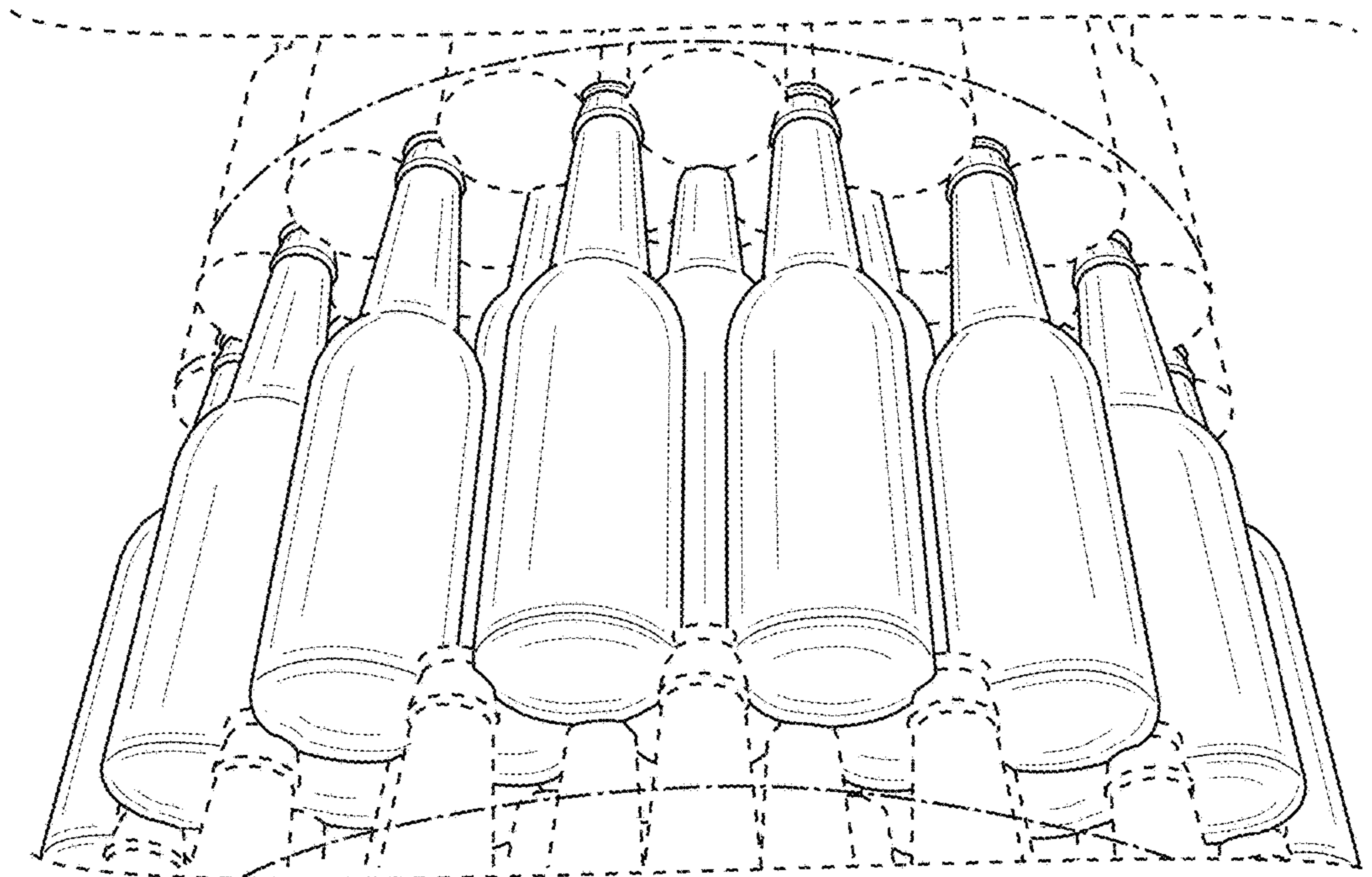


FIG. 4

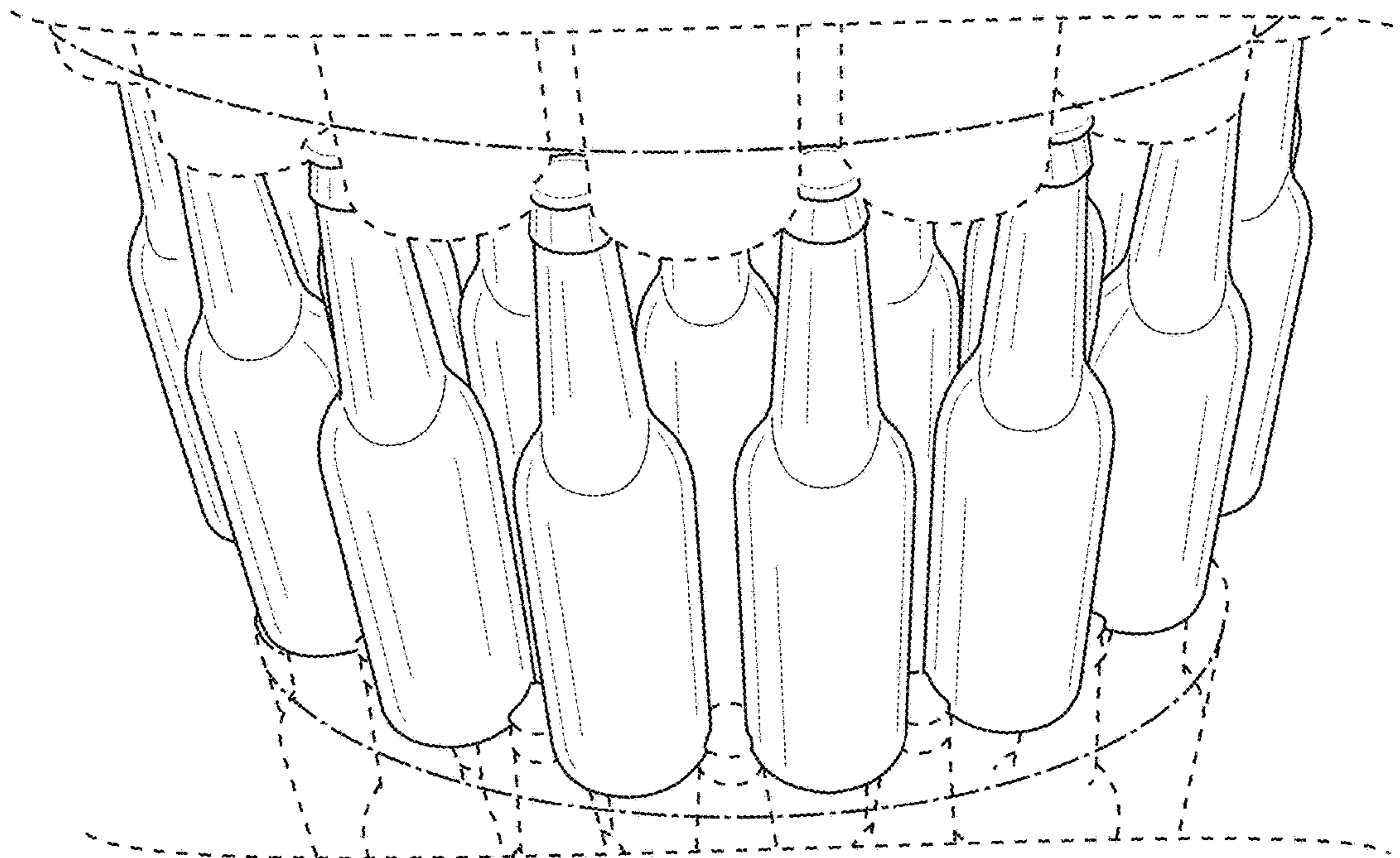


FIG. 5