



US00D783341S

(12) **United States Design Patent** (10) **Patent No.:** **US D783,341 S**
Palermo et al. (45) **Date of Patent:** **** Apr. 11, 2017**

(54) **APPLIANCE BASE**

(71) Applicant: **Sunbeam Products, Inc.**, Boca Raton, FL (US)

(72) Inventors: **Joseph Palermo**, Boynton Beach, FL (US); **Stewart Gordon**, Cheshire East (GB); **Noel Disbury**, Manchester (GB); **Mark Skinner**, Manchester (GB); **Nick Brook**, Manchester (GB)

(73) Assignee: **Sunbeam Products, Inc.**, Boca Raton, FL (US)

(**) Term: **15 Years**

(21) Appl. No.: **29/563,188**

(22) Filed: **May 3, 2016**

(51) **LOC (10) Cl.** **31-00**

(52) **U.S. Cl.**
USPC **D7/386**; D7/376; D7/378; D7/384

(58) **Field of Classification Search**
USPC D7/323, 372-381, 383-384, 386-387, D7/393, 402-415, 602, 629, 694
CPC .. A21C 1/02; A21C 1/04; A47J 43/044; A47J 43/046; A47J 43/075; A47J 43/0722; A47J 43/0727; A47J 43/07; A23N 1/00; A23N 1/02

See application file for complete search history.

(56) **References Cited**

U.S. PATENT DOCUMENTS

D625,143 S *	10/2010	Moore	D7/376
D668,100 S *	10/2012	Palermo	D7/376
D669,304 S *	10/2012	Bock	D7/376
D689,734 S *	9/2013	Bock	D7/376
D690,152 S *	9/2013	Palermo	D7/376
D704,502 S *	5/2014	Coakley	D7/376
D716,602 S *	11/2014	Thai	D7/376
D730,683 S *	6/2015	Tu	D7/376
D755,003 S *	5/2016	Palermo	D7/376
D765,465 S *	9/2016	Du	D7/376

* cited by examiner

Primary Examiner — Caron D Veynar

Assistant Examiner — Mehri Bajoul

(74) *Attorney, Agent, or Firm* — Michael J. Corrigan

(57) **CLAIM**

The ornamental design for the appliance base, as shown and described.

DESCRIPTION

FIG. 1 is a front perspective view of the appliance base; FIG. 2 is a front view thereof; FIG. 3 is a rear view thereof; FIG. 4 is a left side view thereof; FIG. 5 is a right side view thereof; and, FIG. 6 is a top view thereof. The broken lines depict portions of the appliance base that form no part of the claimed design.

1 Claim, 3 Drawing Sheets

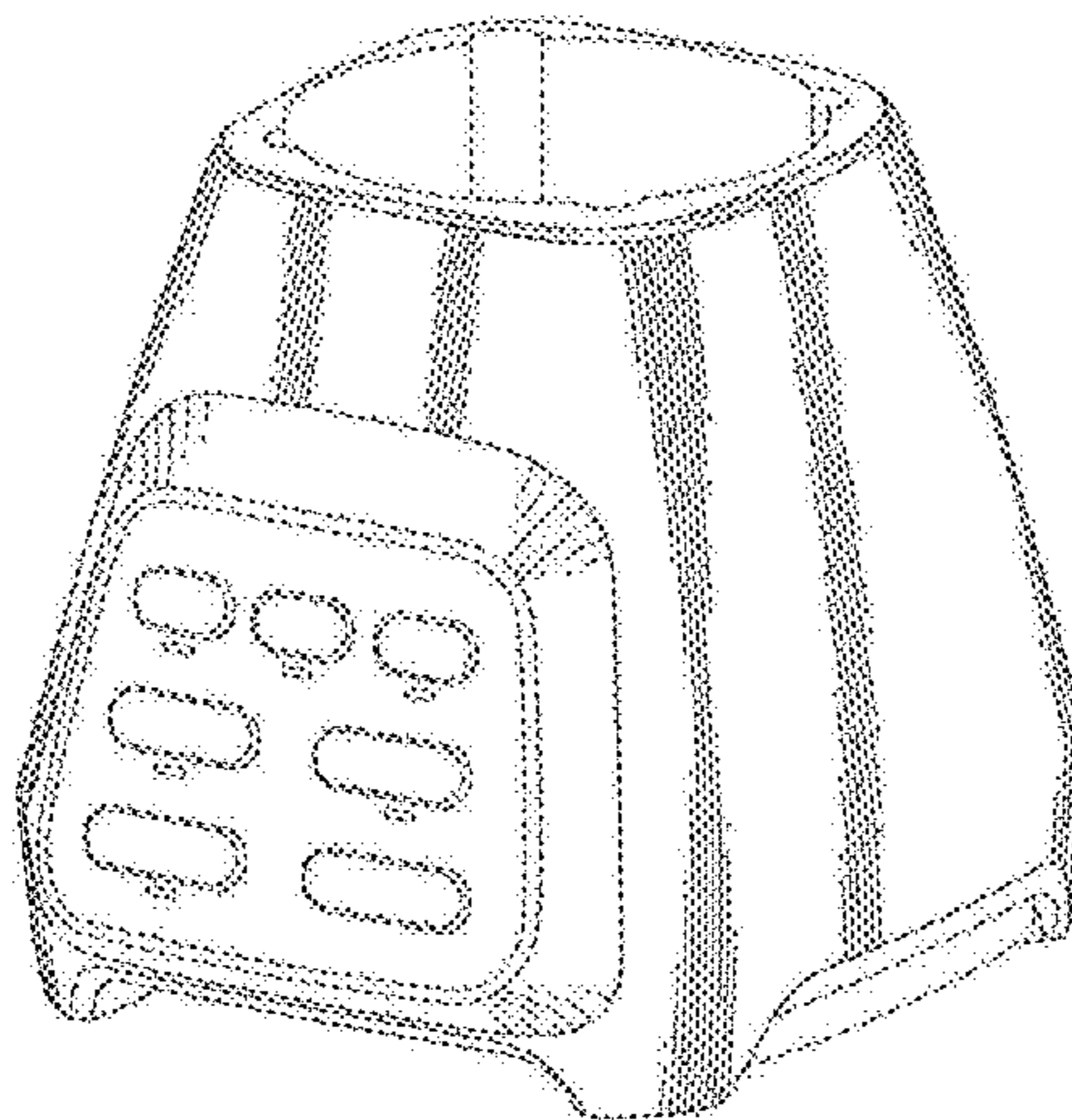


FIG. 1

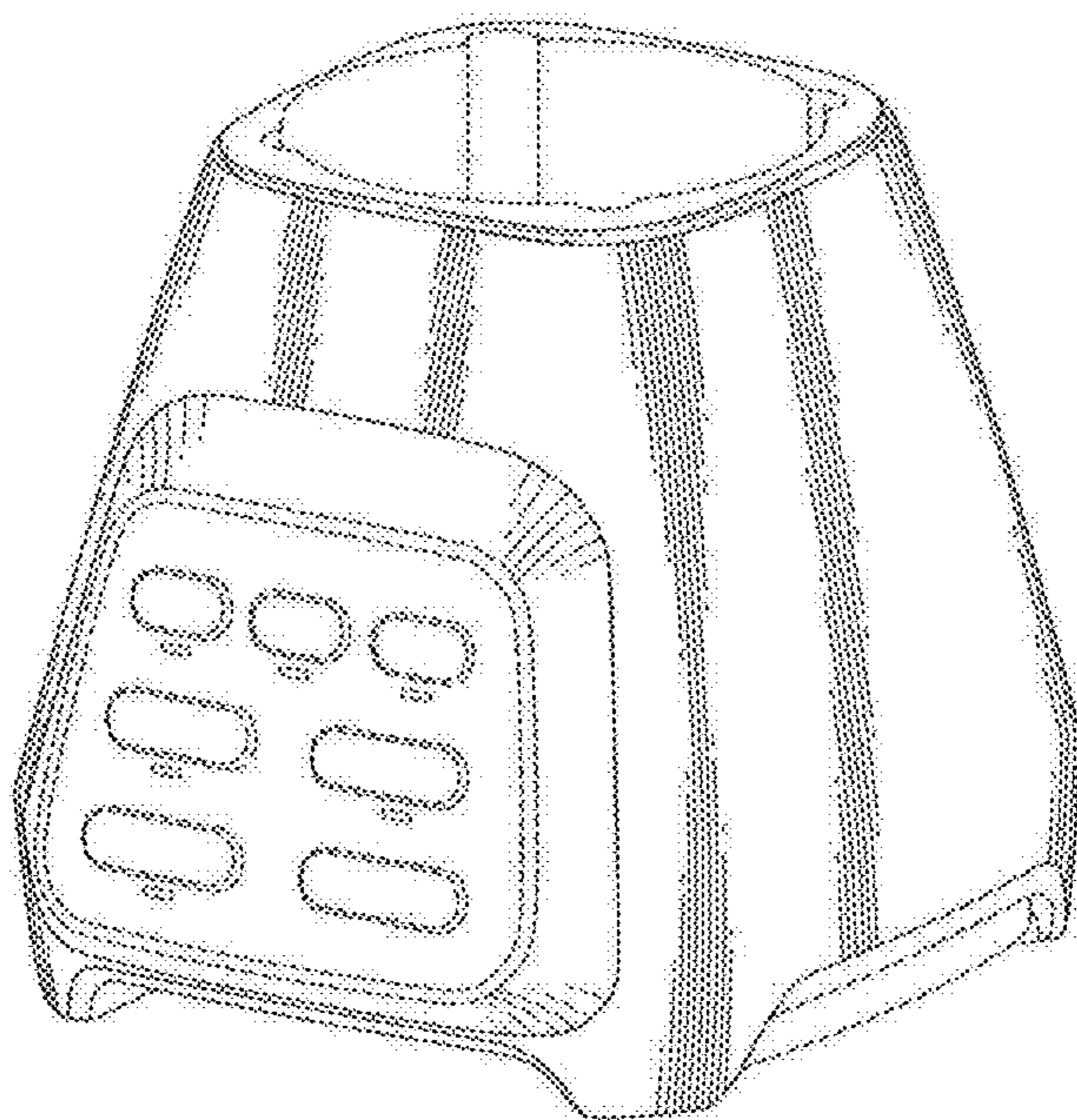


FIG. 2

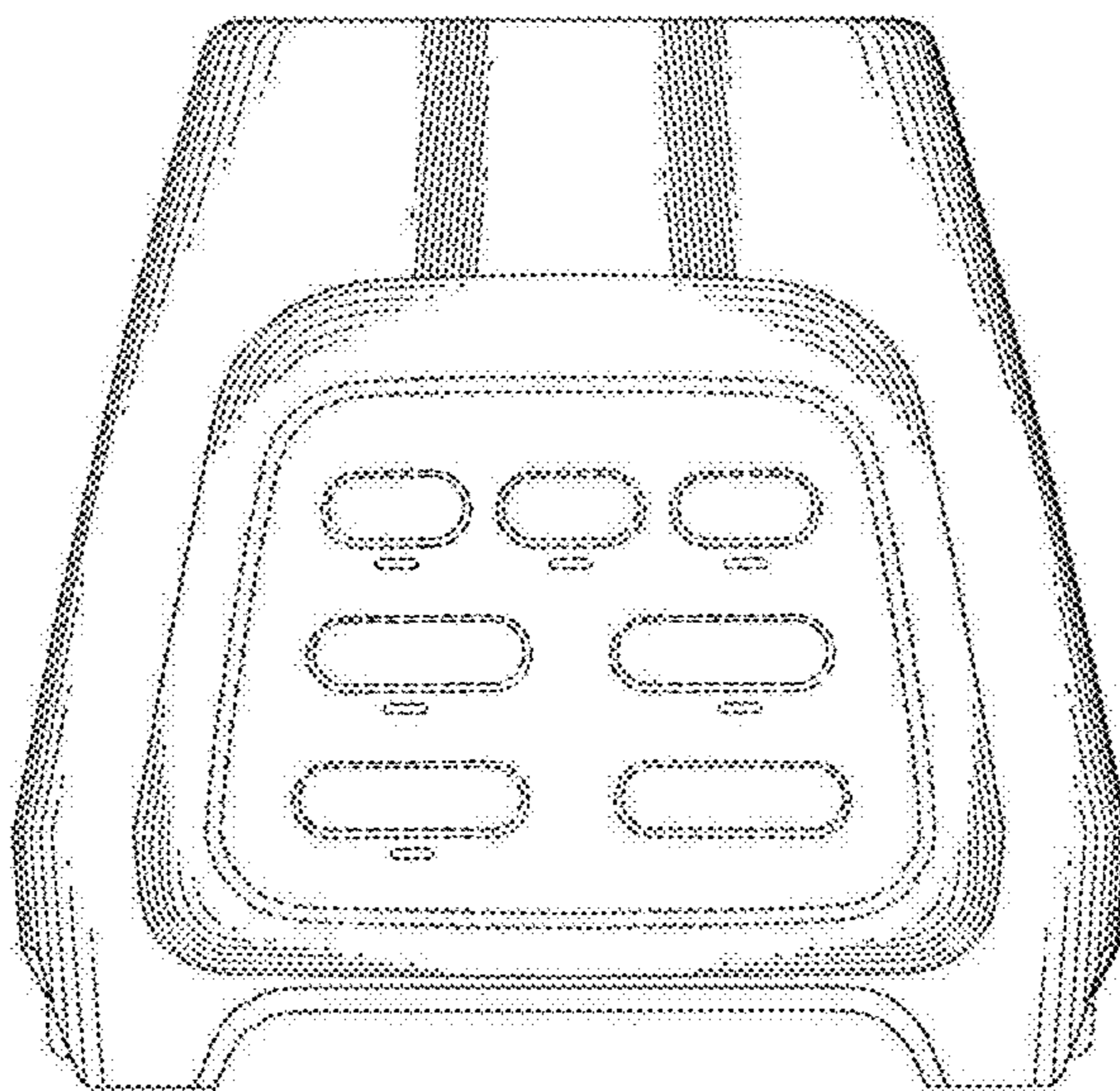


FIG. 3

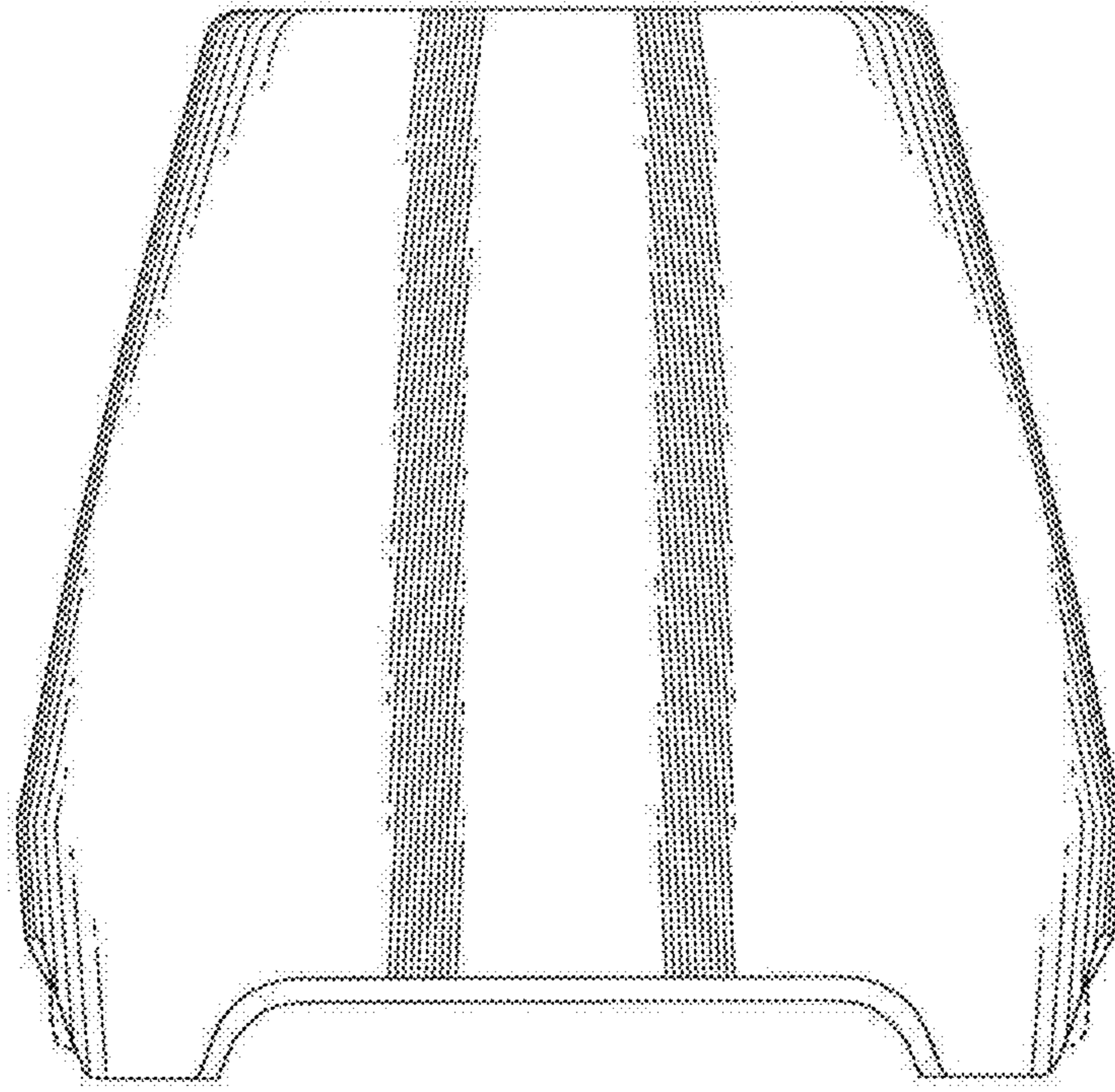


FIG. 4

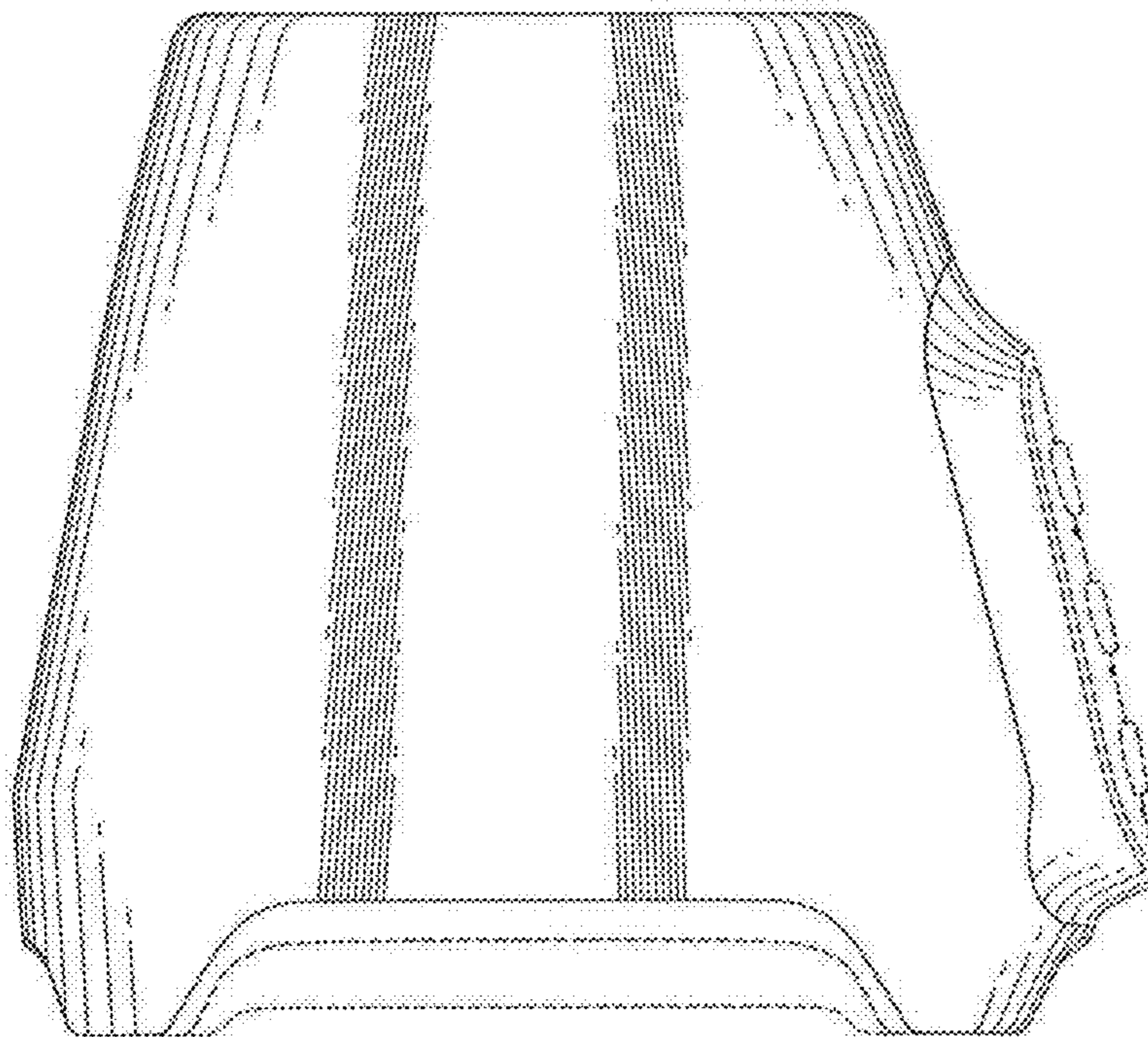


FIG. 5

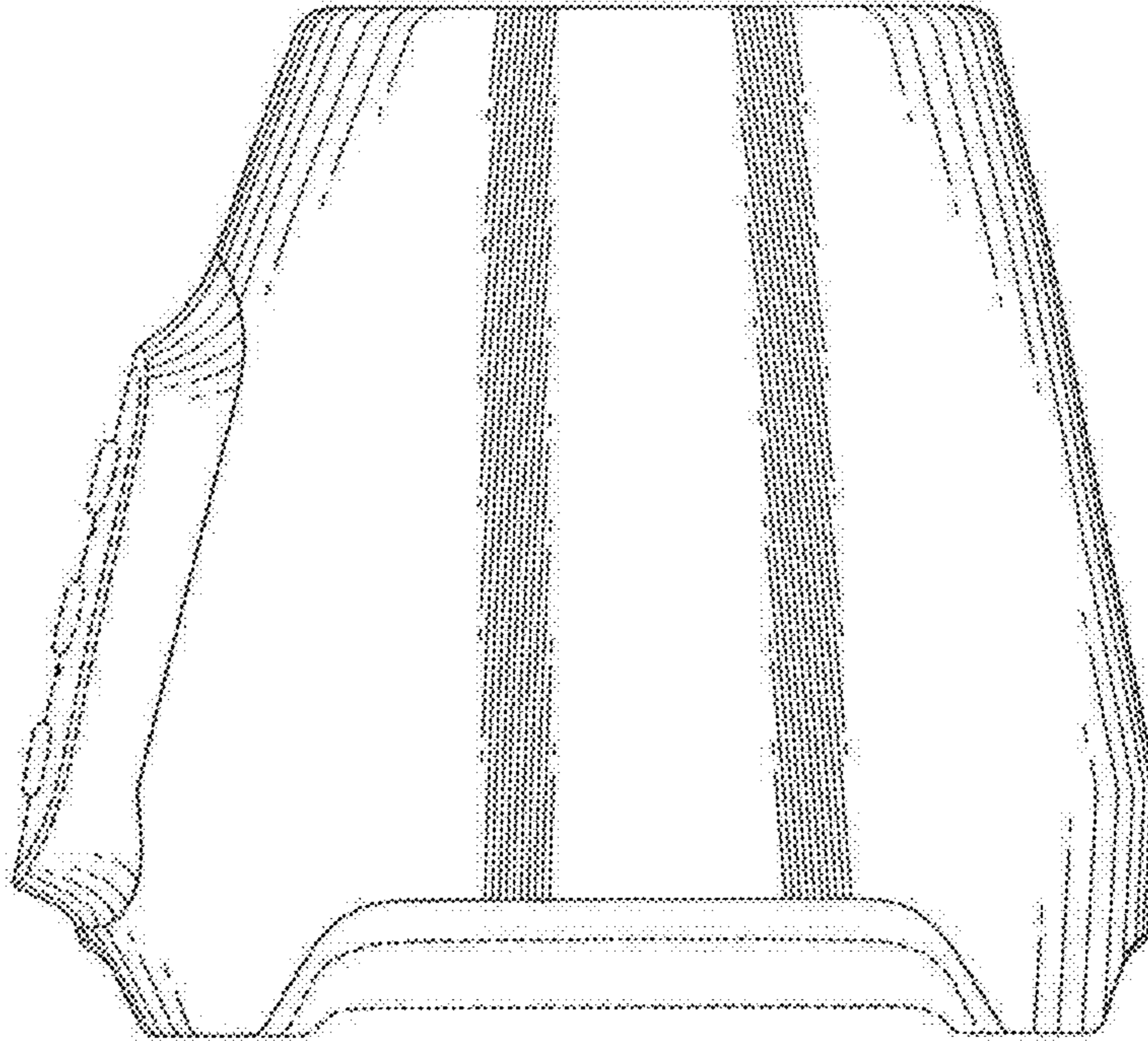


FIG. 6

