



US00D783339S

(12) **United States Design Patent**
Mullen

(10) **Patent No.:** **US D783,339 S**
(45) **Date of Patent:** **** Apr. 11, 2017**

(54) **BLENDER**

(71) Applicant: **Kenwood Limited**, Havant, Hampshire
(GB)

(72) Inventor: **Darren Mullen**, Havant (GB)

(73) Assignee: **KENWOOD LIMITED**, Havant,
Hampshire (GB)

(**) Term: **14 Years**

(21) Appl. No.: **29/507,049**

(22) Filed: **Oct. 23, 2014**

(30) **Foreign Application Priority Data**

Apr. 25, 2014 (EM) 002452870

(51) **LOC (10) Cl.** **31-00**

(52) **U.S. Cl.**
USPC **D7/379; D7/376; D7/378**

(58) **Field of Classification Search**
USPC D7/372, 376-386, 412-413, 602, 629,
D7/665-666, 669, 679, 693-694

CPC A21C 1/02; A21C 1/04; A23N 1/00; A23N
1/02; A47J 43/04; A47J 43/25; A47J
43/27; A47J 43/042; A47J 43/044; A47J
43/046; A47J 43/075; A47J 43/0711;
A47J 43/0722; A47J 43/0727; A47J
43/082; B01F 3/00; B01F 3/0807; B01F
3/0853; B01F 13/0059; B01F 13/0064;
B02C 1/08; B02C 2/04; B02C 4/42;
B02C 4/142; B02C 4/143; B02C 4/423;
B02C 13/1835; B28C 5/10; B28C 5/12;
B28C 5/14; B28C 5/16

See application file for complete search history.

(56) **References Cited**

U.S. PATENT DOCUMENTS

D361,241 S * 8/1995 Littmann D7/376
D400,756 S * 11/1998 Henderson D7/376

D426,105 S * 6/2000 Littmann D7/376
D456,206 S * 4/2002 Feil D7/376
D485,729 S * 1/2004 Patton D7/376
D534,032 S * 12/2006 Lloyd D7/380
D614,438 S * 4/2010 Fukasawa D7/376
D644,479 S * 9/2011 Lownds D7/376
D649,394 S * 11/2011 Grabes D7/376
D651,041 S * 12/2011 Bachmann D7/376
D651,846 S * 1/2012 Roseby D7/376

(Continued)

FOREIGN PATENT DOCUMENTS

EM 001174023-0001 10/2009

OTHER PUBLICATIONS

Official Rejection Notice dated Jan. 5, 2015 from corresponding Japanese Design Application No. 2014-023964 (5 pages including English translation).

(Continued)

Primary Examiner — Ricky Pham

(74) *Attorney, Agent, or Firm* — Brinks Gilson & Lione;
G. Peter Nichols

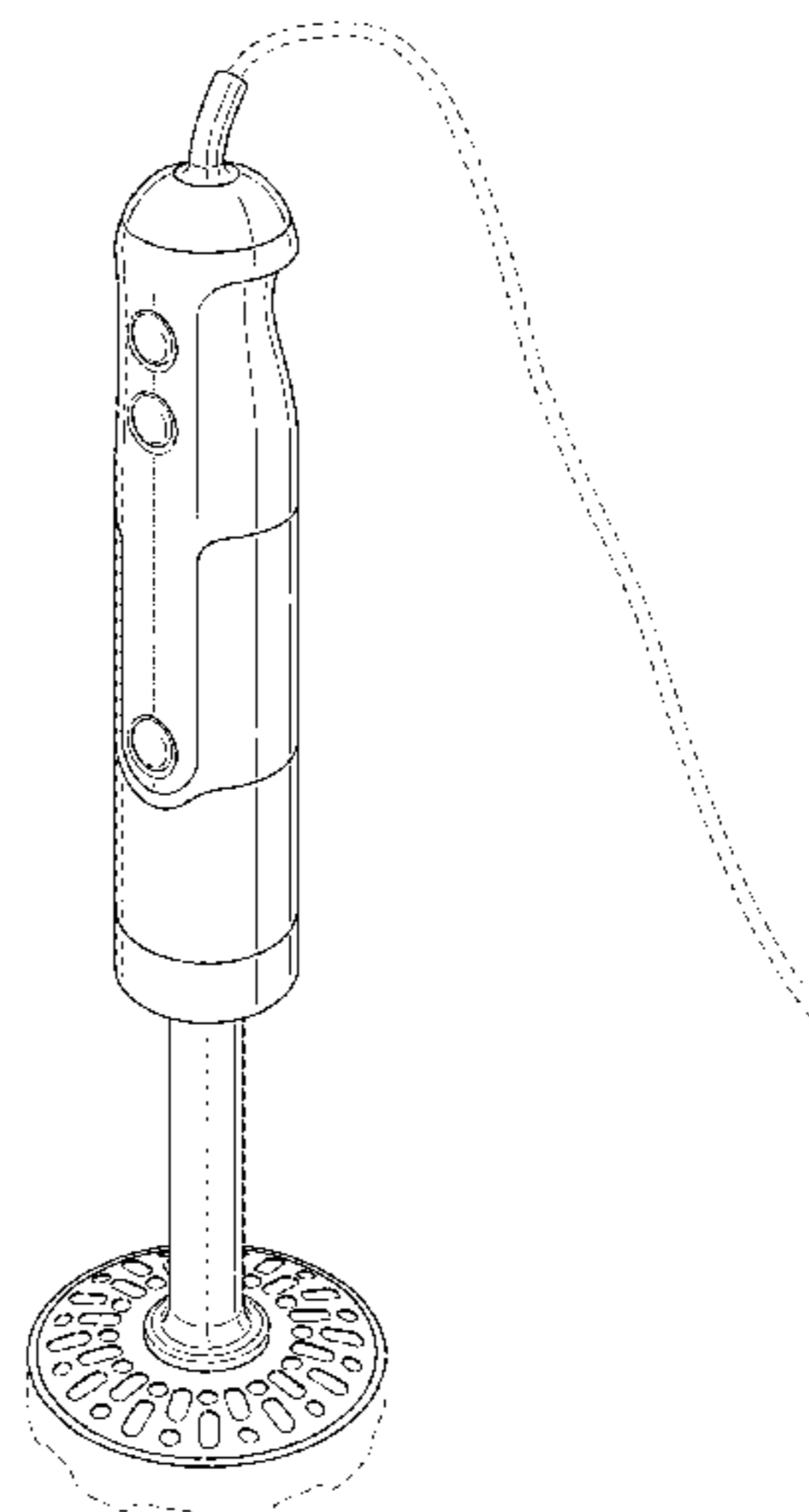
(57) **CLAIM**

The ornamental design for a blender, as shown and described.

DESCRIPTION

FIG. 1 is a front perspective view of a blender according to the present invention;
FIG. 2 is a front view thereof;
FIG. 3 is a rear view thereof;
FIG. 4 is a right side view thereof; and,
FIG. 5 is a left side view thereof.
The broken lines shown in the drawings are for illustrative purposes only and form no part of the claimed design.

1 Claim, 5 Drawing Sheets



(56)

References Cited

U.S. PATENT DOCUMENTS

D662,765	S *	7/2012	Grabes	D7/376
D667,682	S *	9/2012	Agren	D7/376
D668,099	S *	10/2012	Ferraby	D7/376
D668,911	S *	10/2012	Bachmann	D7/376
D681,391	S *	5/2013	Agren	D7/376
D690,160	S *	9/2013	Bodum	D7/412
D691,412	S *	10/2013	Ragot	D7/376
D695,565	S *	12/2013	Verbrugge	D7/376
D724,373	S *	3/2015	Ji	D7/376
D726,496	S *	4/2015	Vu	D7/376
D727,096	S *	4/2015	Vu	D7/376
D730,689	S *	6/2015	Bodum	D7/412
D731,236	S *	6/2015	Yin	D7/376
2005/0078549	A1 *	4/2005	Hamelin	A47J 43/0711 366/129
2015/0009776	A1 *	1/2015	Cheung	A47J 43/082 366/129

OTHER PUBLICATIONS

Official Rejection Notice dated Jan. 5, 2015 from corresponding Japanese Design Application No. 2014-023965 (5 pages including English translation).

* cited by examiner

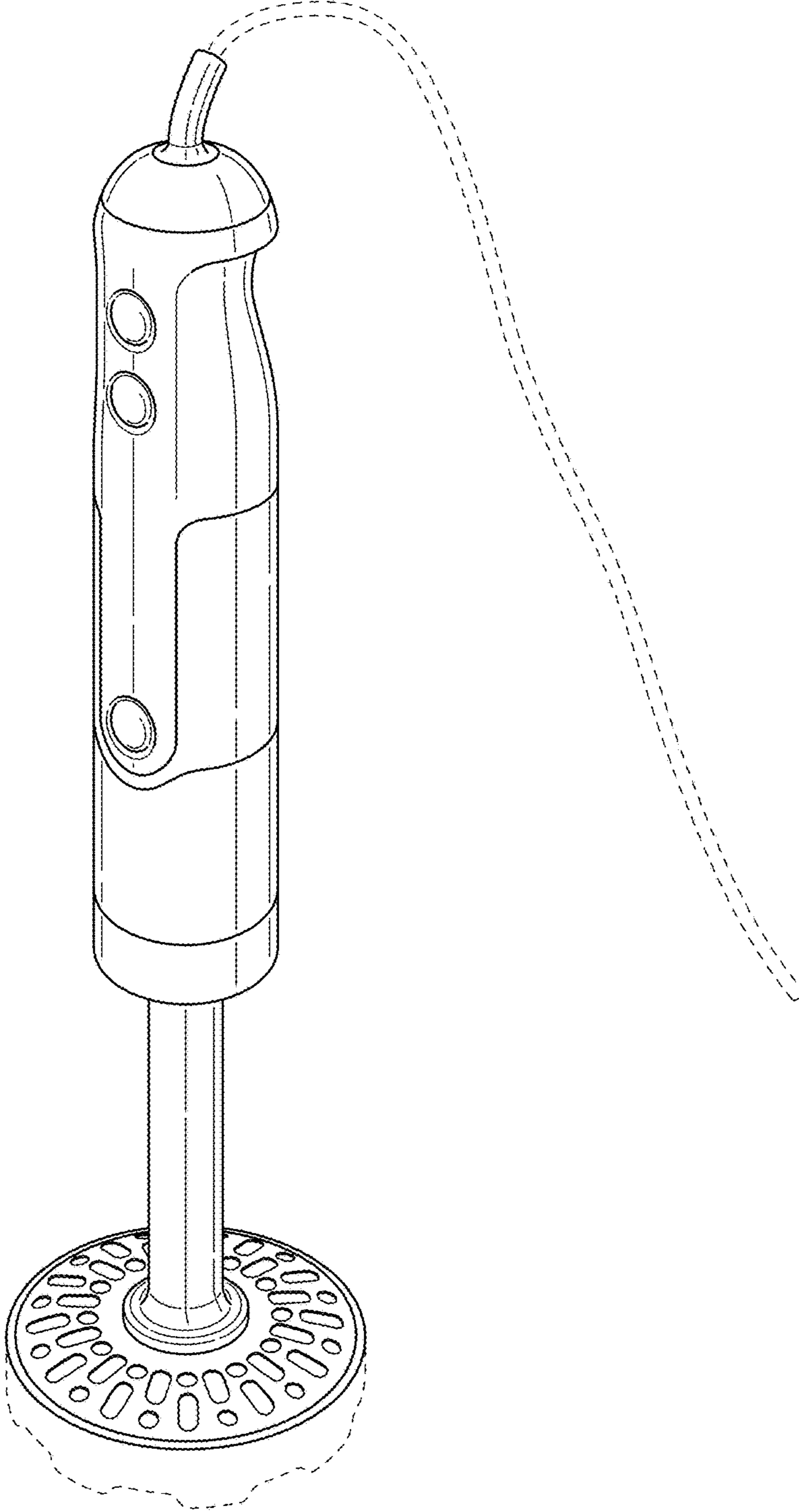


Fig. 1

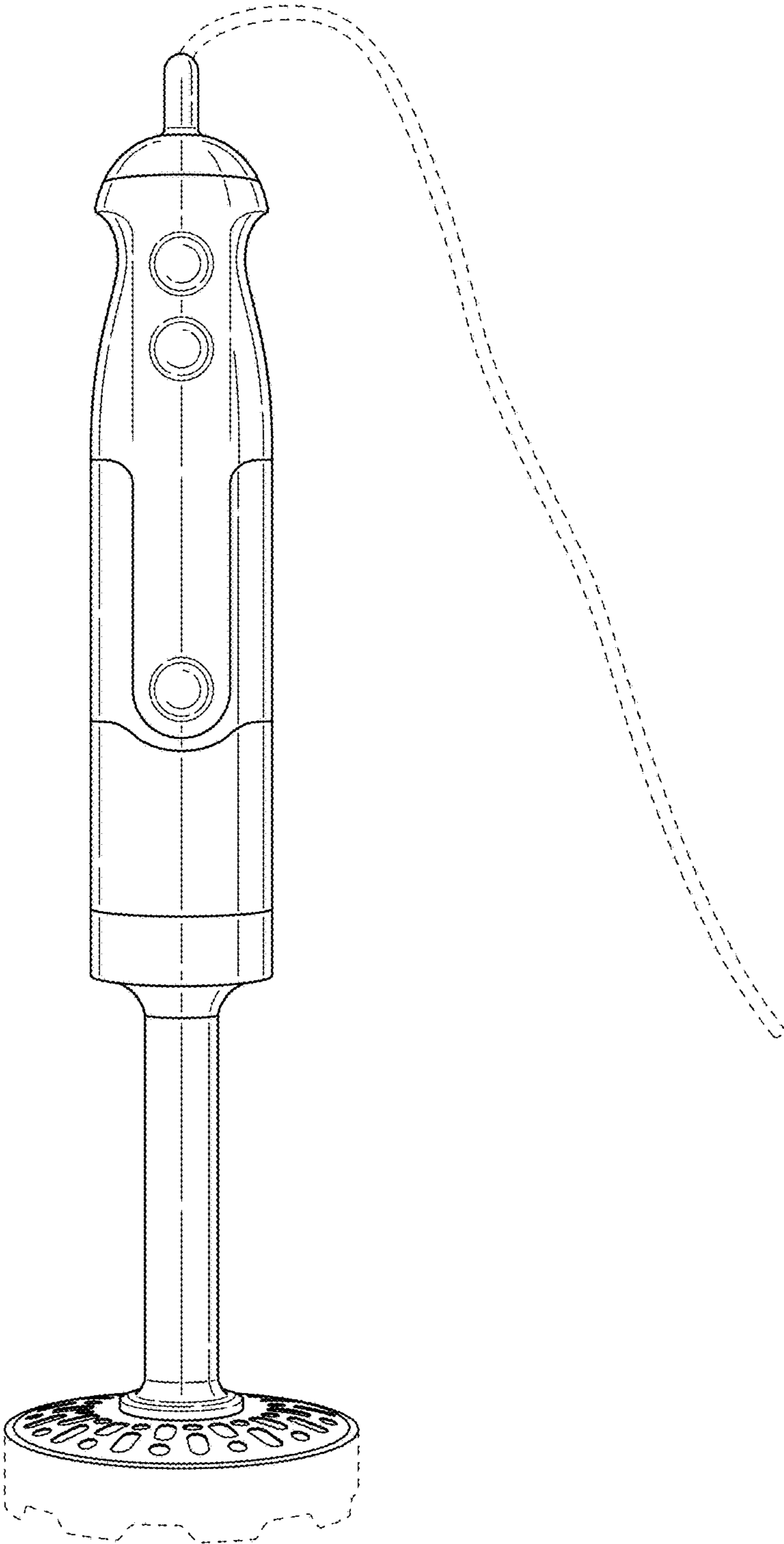


Fig. 2

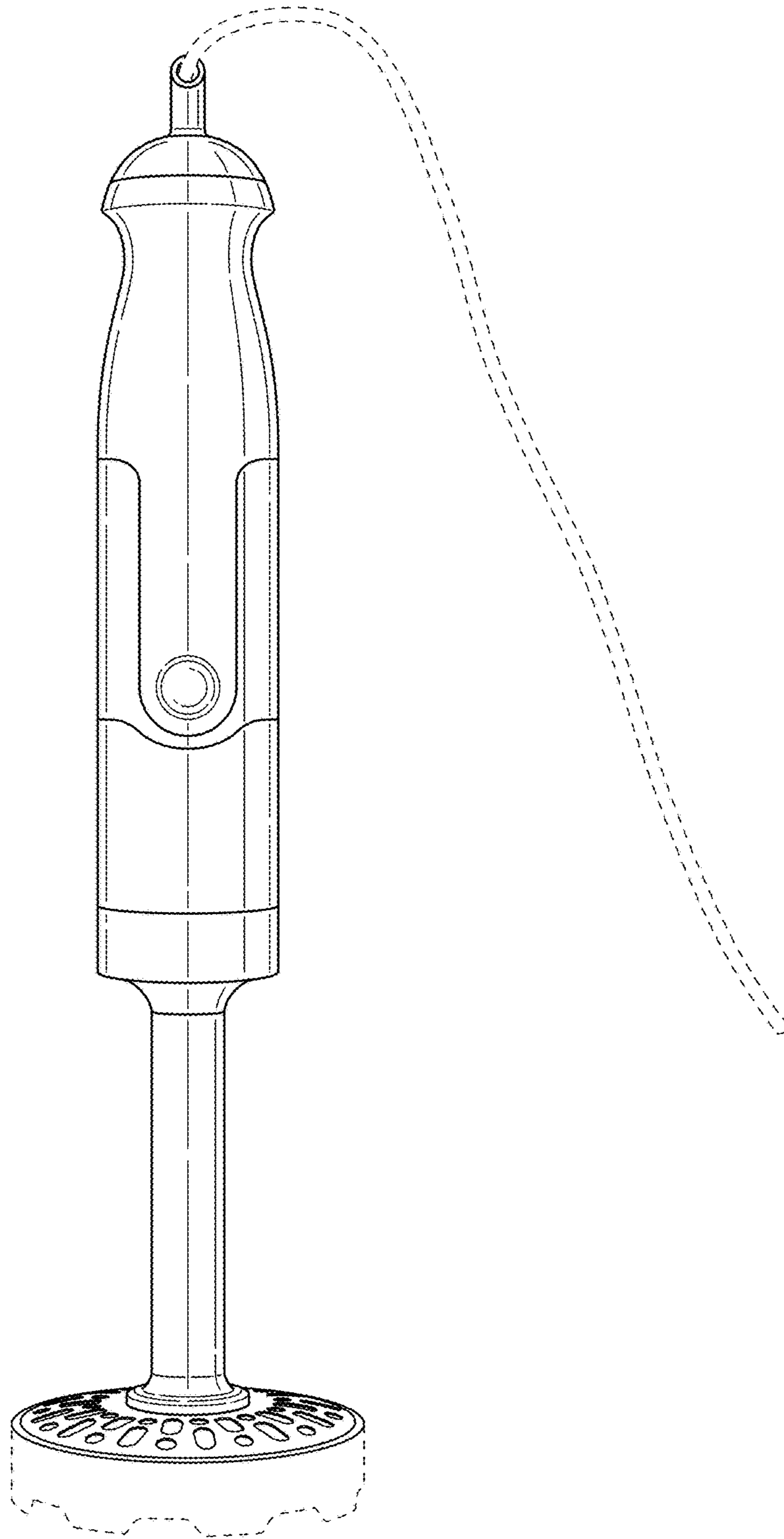


Fig. 3

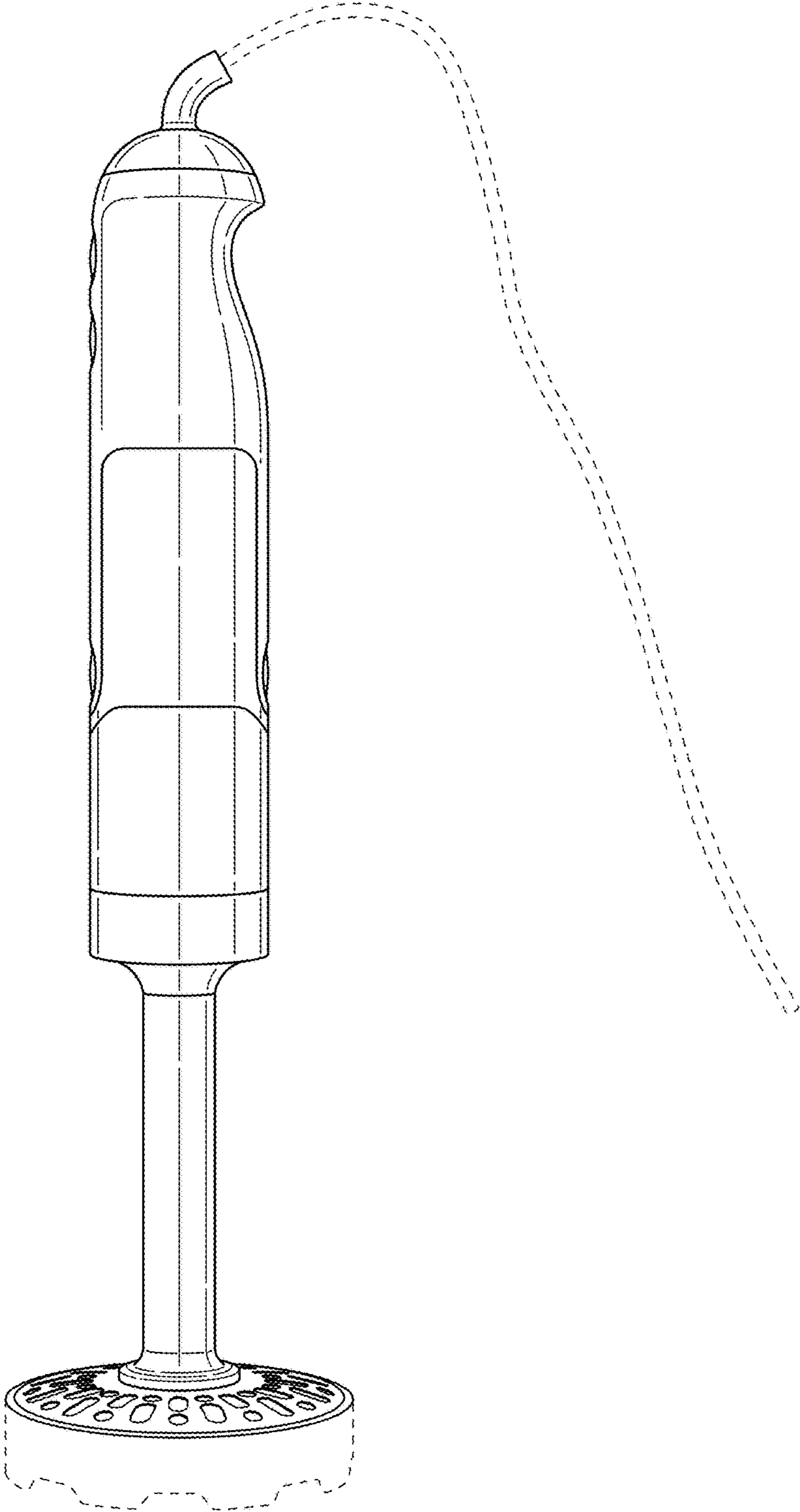


Fig. 4

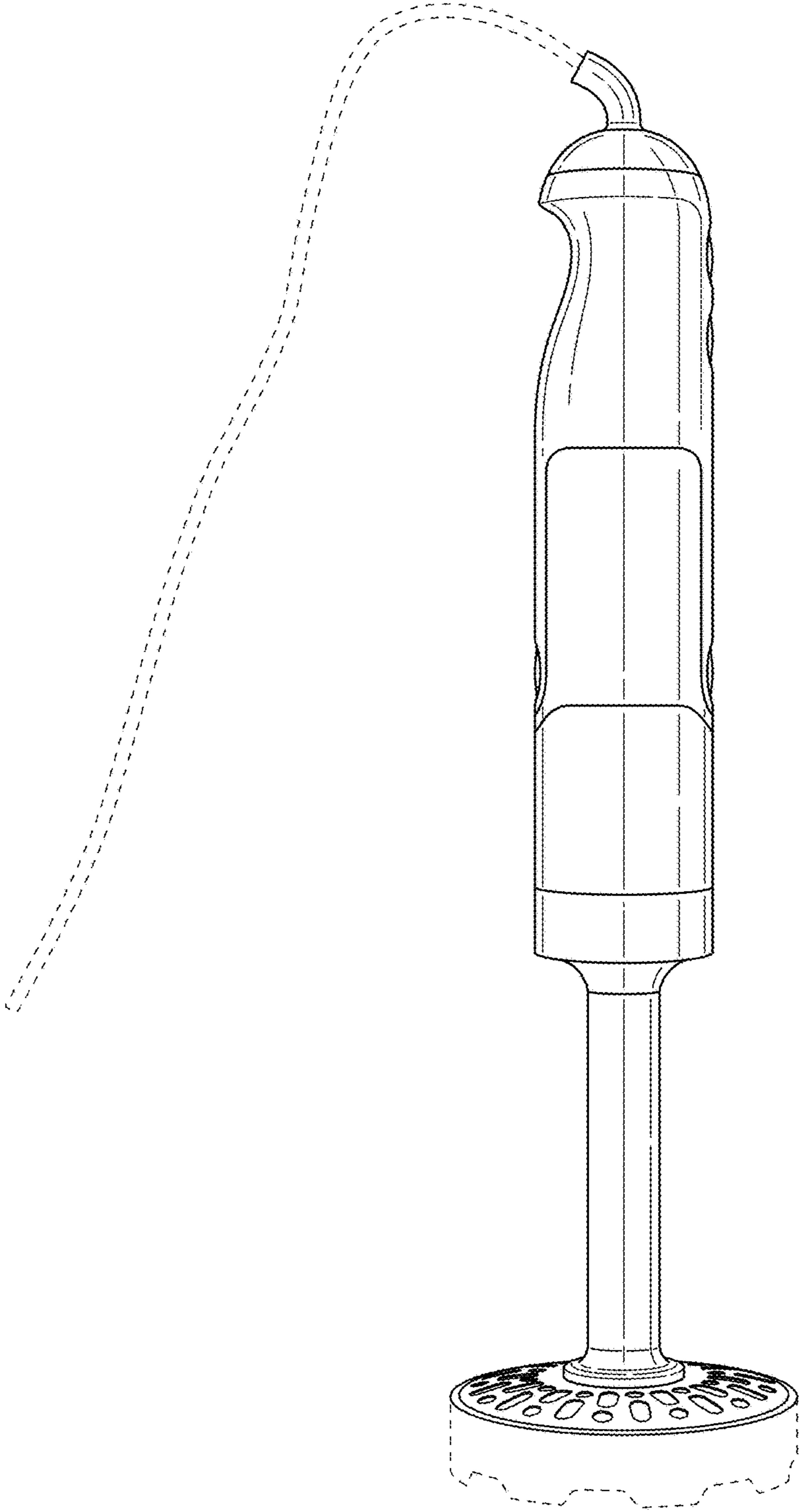


Fig. 5