



US00D783337S

(12) **United States Design Patent** (10) **Patent No.:** **US D783,337 S**
Markussen et al. (45) **Date of Patent:** **** Apr. 11, 2017**

(54) **CYLINDRICAL COOKING CONTAINER HAVING OFF-CENTER SPIT HOLES**

(71) Applicants: **Bradley D Markussen**, Longmont, CO (US); **Jack D Markussen**, Berthoud, CO (US); **Vonda J Phipps**, Longmont, CO (US); **Wesley D Markussen**, Loveland, CO (US)

(72) Inventors: **Bradley D Markussen**, Longmont, CO (US); **Jack D Markussen**, Berthoud, CO (US); **Vonda J Phipps**, Longmont, CO (US); **Wesley D Markussen**, Loveland, CO (US)

(**) Term: **15 Years**

(21) Appl. No.: **29/573,173**

(22) Filed: **Aug. 3, 2016**

(51) **LOC (10) Cl.** **07-02**

(52) **U.S. Cl.**
USPC **D7/354**

(58) **Field of Classification Search**
USPC D7/323, 332, 335-338, 354-355, D7/359-369, 372, 387-388, 402, D7/407-409; D24/133
CPC A21B 2/00; A21B 3/00; A21B 3/13; A21B 3/15; A21B 5/00; A21B 5/02; A23B 7/06; A23N 12/06; A23N 12/08; A23N 12/10; A23L 7/187; A47J 37/00; A47J 37/04; A47J 37/041; A47J 37/042; A47J 37/047; A47J 37/049; A47J 37/06; A47J 37/0688; A47J 37/0694; A47J 37/07; A47J 37/0704; A47J 37/10; A47J 47/20; A47J 2037/00; A47J 2037/06; A47J 2037/0611; A47J 2037/07; A47J 2037/0786; A47J 2037/0795; F24C 15/10; F24C 15/12; F24C 15/14; F24C 15/16; F24C 15/164; F24C 15/18

See application file for complete search history.

(56) **References Cited**

U.S. PATENT DOCUMENTS

771,638	A *	10/1904	Hornby	A47J 37/049 99/427
1,747,239	A *	2/1930	Hauck	A23L 7/187 34/126
2,705,450	A	5/1954	Steinbook	
D223,180	S *	3/1972	Bryne	D23/225
5,182,981	A	2/1993	Wilcox	
D343,985	S *	2/1994	Rath	D7/368
D368,202	S *	3/1996	Goble	99/584

(Continued)

Primary Examiner — Ricky Pham

(74) *Attorney, Agent, or Firm* — Patent Law Offices of Rick Martin, P.C.

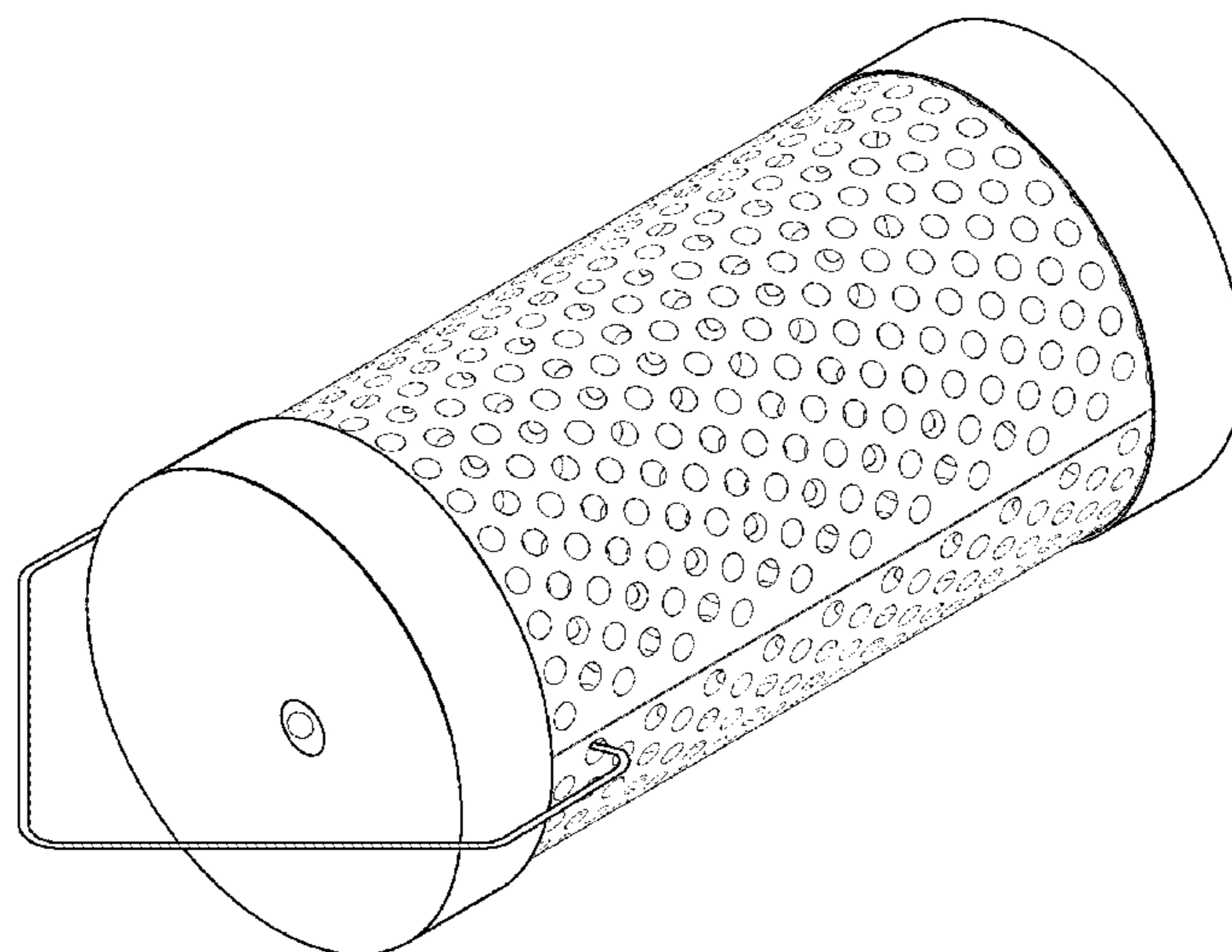
(57) **CLAIM**

The ornamental design for a cylindrical cooking container having off-center spit holes, as shown and described.

DESCRIPTION

FIG. 1 is a side perspective view of our cooking container in a closed mode.
 FIG. 2 is a side elevation view of our cooking container in the closed mode.
 FIG. 3 is a side elevation view of our cooking container showing the handle in a profile view and the sidewall seam.
 FIG. 4 is a side elevation view of our cooking container showing the handle in a profile view from the opposite side of FIG. 3.
 FIG. 5 is a top plan view of our cooking container showing an off-center spit hole; and,
 FIG. 6 is a bottom plan view of our cooking container showing an off-center spit hole.

1 Claim, 2 Drawing Sheets



(56)

References Cited

U.S. PATENT DOCUMENTS

5,497,697 A * 3/1996 Promny A47J 37/047
99/394
5,632,098 A 5/1997 Finch
5,632,195 A * 5/1997 Zittel A23B 7/06
134/132
5,771,600 A 6/1998 Romanow
6,079,319 A * 6/2000 Doria A47J 37/047
99/331
6,497,175 B2 * 12/2002 Behm A23N 12/10
99/419
7,478,586 B2 * 1/2009 Gabrielle A47J 37/042
99/340
7,514,651 B2 * 4/2009 Popeil A47J 37/042
219/392
D771,994 S * 11/2016 Zemel D7/338
2011/0097468 A1 * 4/2011 Driscoll A47J 37/047
426/519

* cited by examiner

Fig. 1

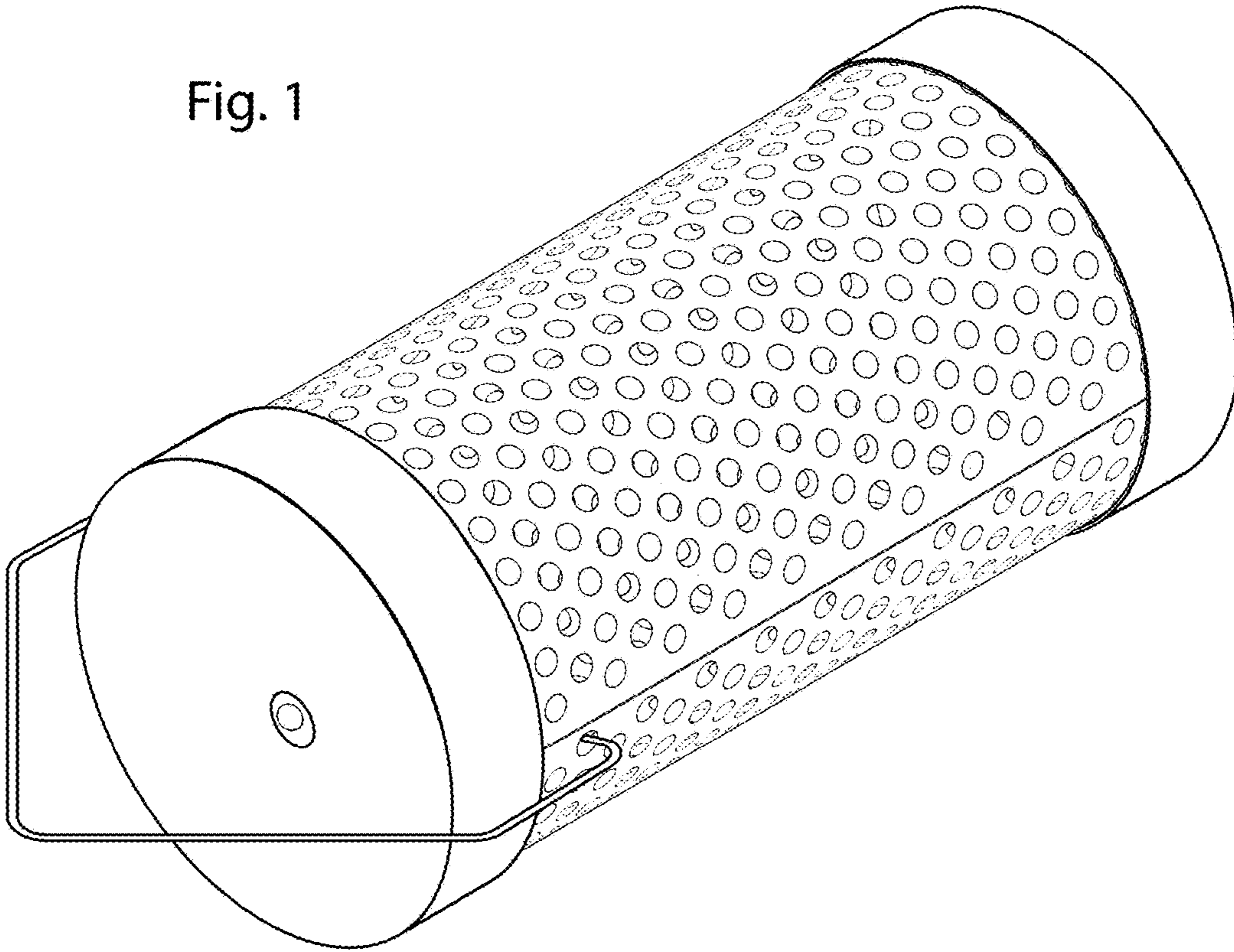


Fig. 2

