



US00D783336S

(12) **United States Design Patent**
Suh et al.

(10) **Patent No.:** **US D783,336 S**
(45) **Date of Patent:** **** Apr. 11, 2017**

(54) **MICROWAVE OVEN**
(71) Applicant: **Samsung Electronics Co., Ltd.**,
Suwon-si (KR)
(72) Inventors: **Seungwook Suh**, Goyang-si (KR);
Jae-moon Lee, Seoul (KR)
(73) Assignee: **SAMSUNG ELECTRONICS CO.,**
LTD., Suwon-si (KR)

D708,469 S * 7/2014 Kim D7/351
D710,151 S * 8/2014 Busalt D7/405
D712,694 S * 9/2014 Kim D7/351
D717,581 S * 11/2014 Kim D7/351
D741,649 S * 10/2015 Kim D7/405
D761,620 S * 7/2016 Kim D7/405
D762,416 S * 8/2016 Kim D7/405
D764,227 S * 8/2016 Jeon D7/402
2004/0056028 A1 * 3/2004 Kim H05B 6/763
219/739
2012/0165188 A1 * 6/2012 Croskey B41M 7/0009
503/201

(**) Term: **15 Years**

* cited by examiner

(21) Appl. No.: **29/547,257**

Primary Examiner — Robin V Webster
Assistant Examiner — James Thorn, Sr.

(22) Filed: **Dec. 2, 2015**

(74) *Attorney, Agent, or Firm* — McAndrews Held &
Malloy, Ltd.

(30) **Foreign Application Priority Data**

Jul. 9, 2015 (KR) 30-2015-0034687

(51) **LOC (10) Cl.** **07-02**

(52) **U.S. Cl.**
USPC **D7/351**

(58) **Field of Classification Search**
USPC D7/402, 405, 351, 323, 338, 346, 347;
219/678
CPC H05B 6/763; H05B 6/6414; H05B 6/6408;
Y02B 40/14; Y02B 40/143; Y02B
40/146; F24C 15/02; F24C 1/00; F24C
14/00; F24C 3/00; F24C 5/00; F24C 7/00
See application file for complete search history.

(56) **References Cited**

U.S. PATENT DOCUMENTS

D364,311 S * 11/1995 Kim D7/351
D435,389 S * 12/2000 Konno D7/351

(57) **CLAIM**

The ornamental design for a microwave oven, as shown and described.

DESCRIPTION

FIG. 1 is a front perspective view of a microwave oven showing our new design;
FIG. 2 is a front elevation view thereof;
FIG. 3 is a rear elevation view thereof;
FIG. 4 is a left-side elevation view thereof;
FIG. 5 is a right-side elevation view thereof;
FIG. 6 is a top plan view thereof;
FIG. 7 is a bottom plan view thereof; and,
FIG. 8 is a cross-sectional view taken along the line 8-8 of FIG. 2.
The broken lines depict portions of the microwave oven that form no part of the claimed design.

1 Claim, 8 Drawing Sheets

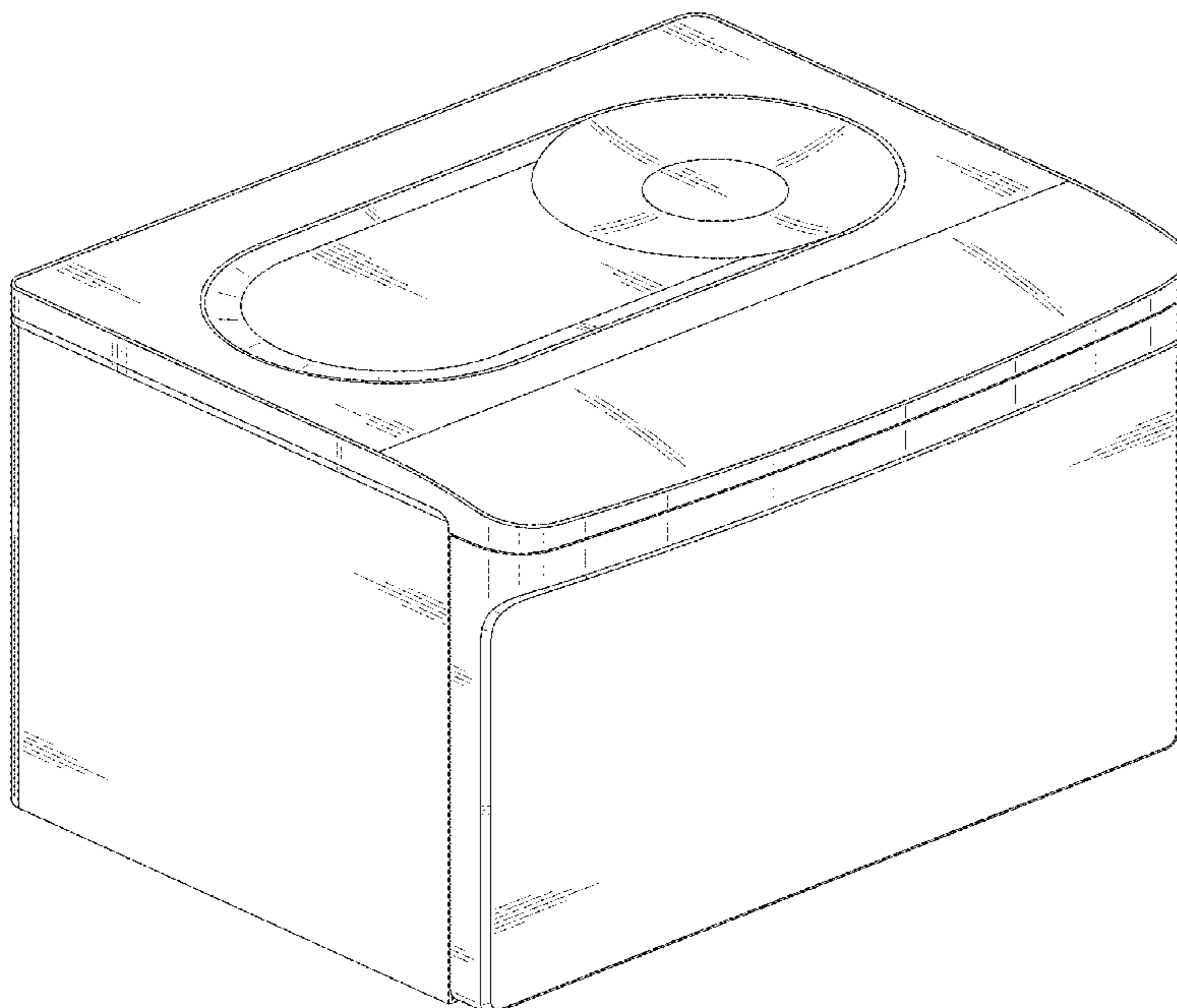


FIG. 1

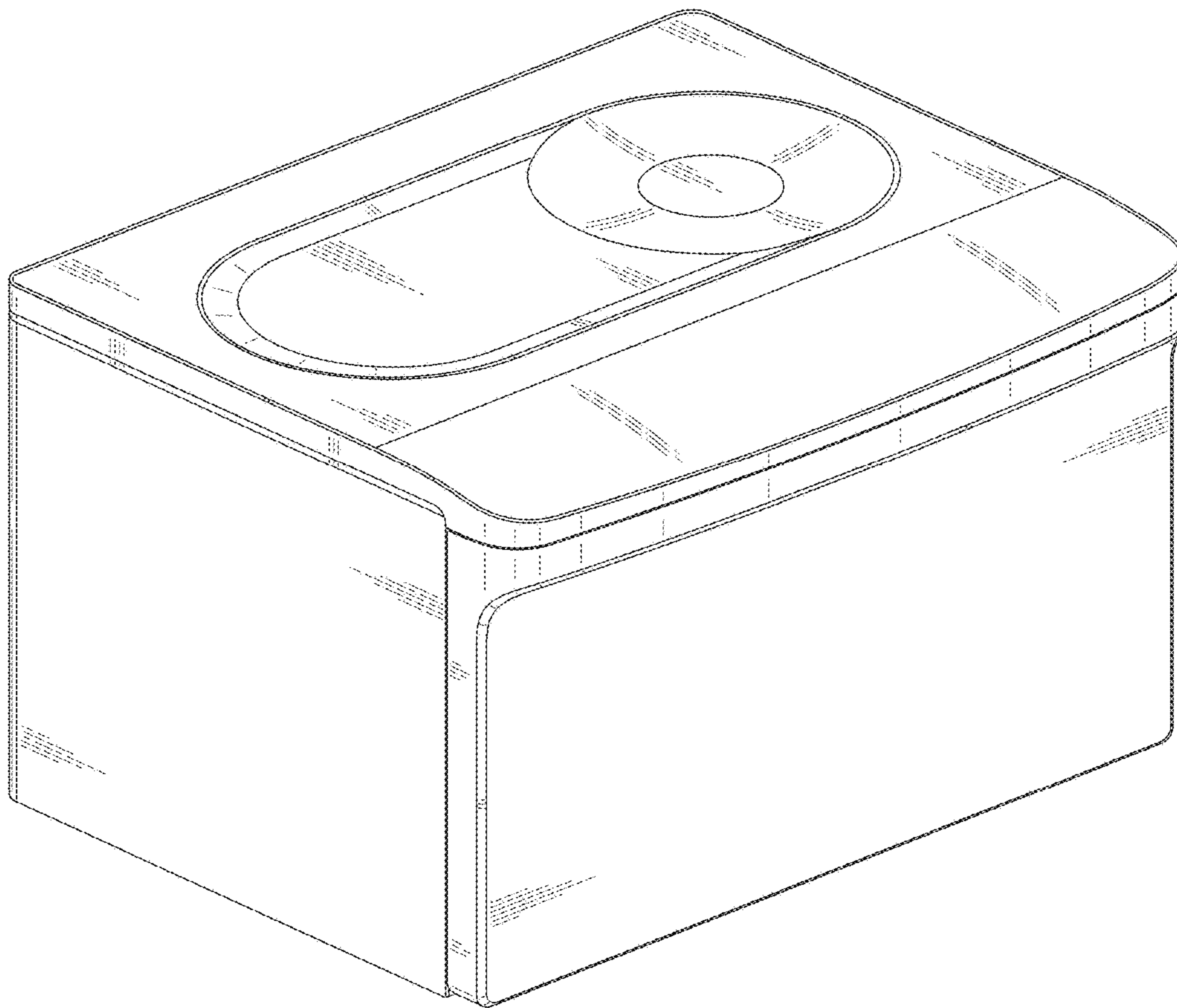


FIG. 2

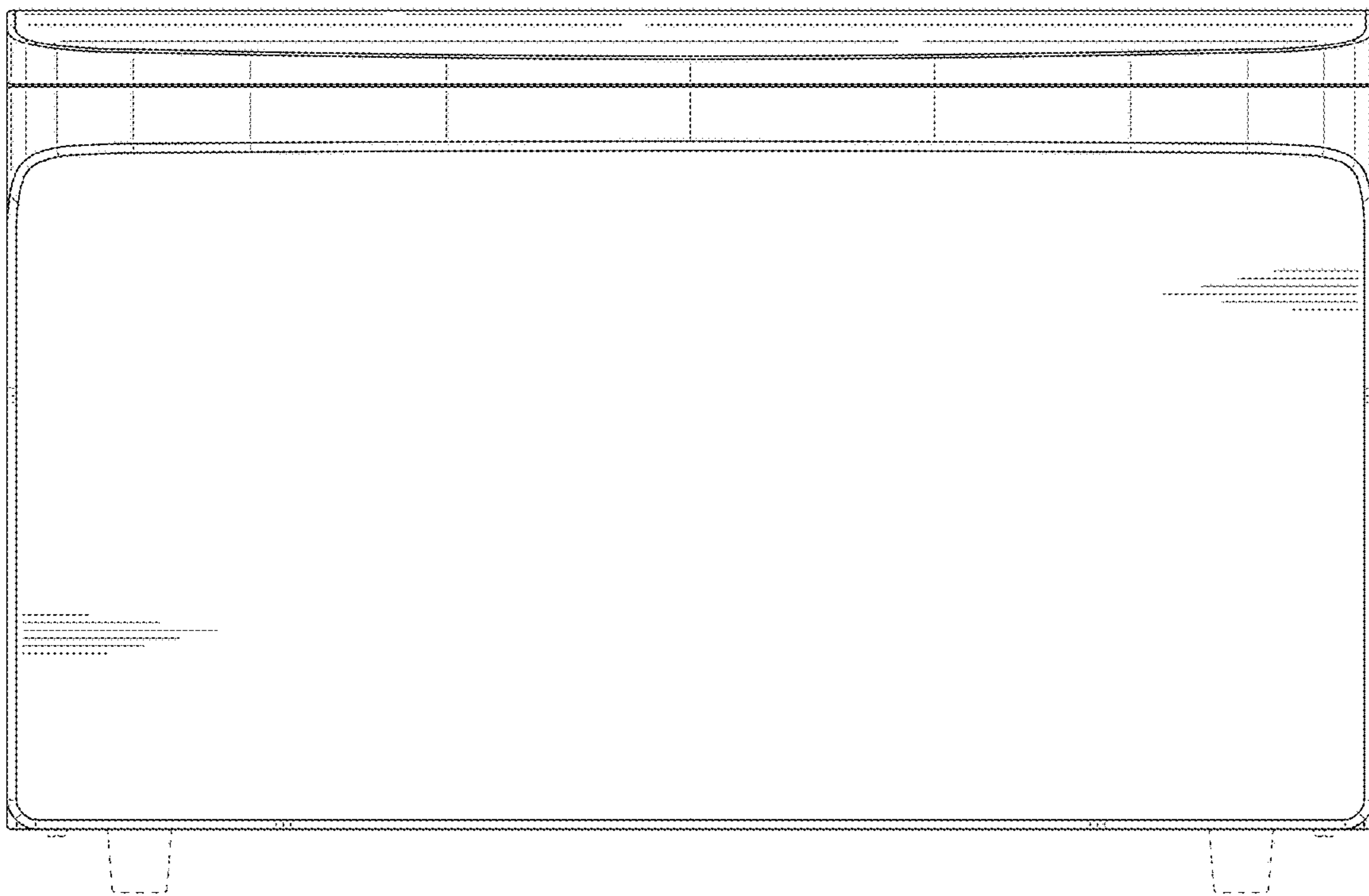
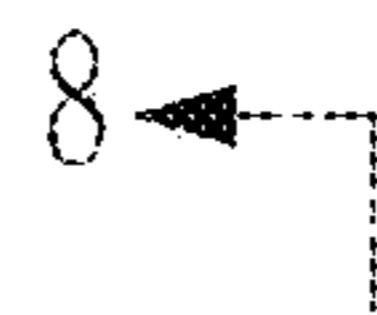


FIG. 3

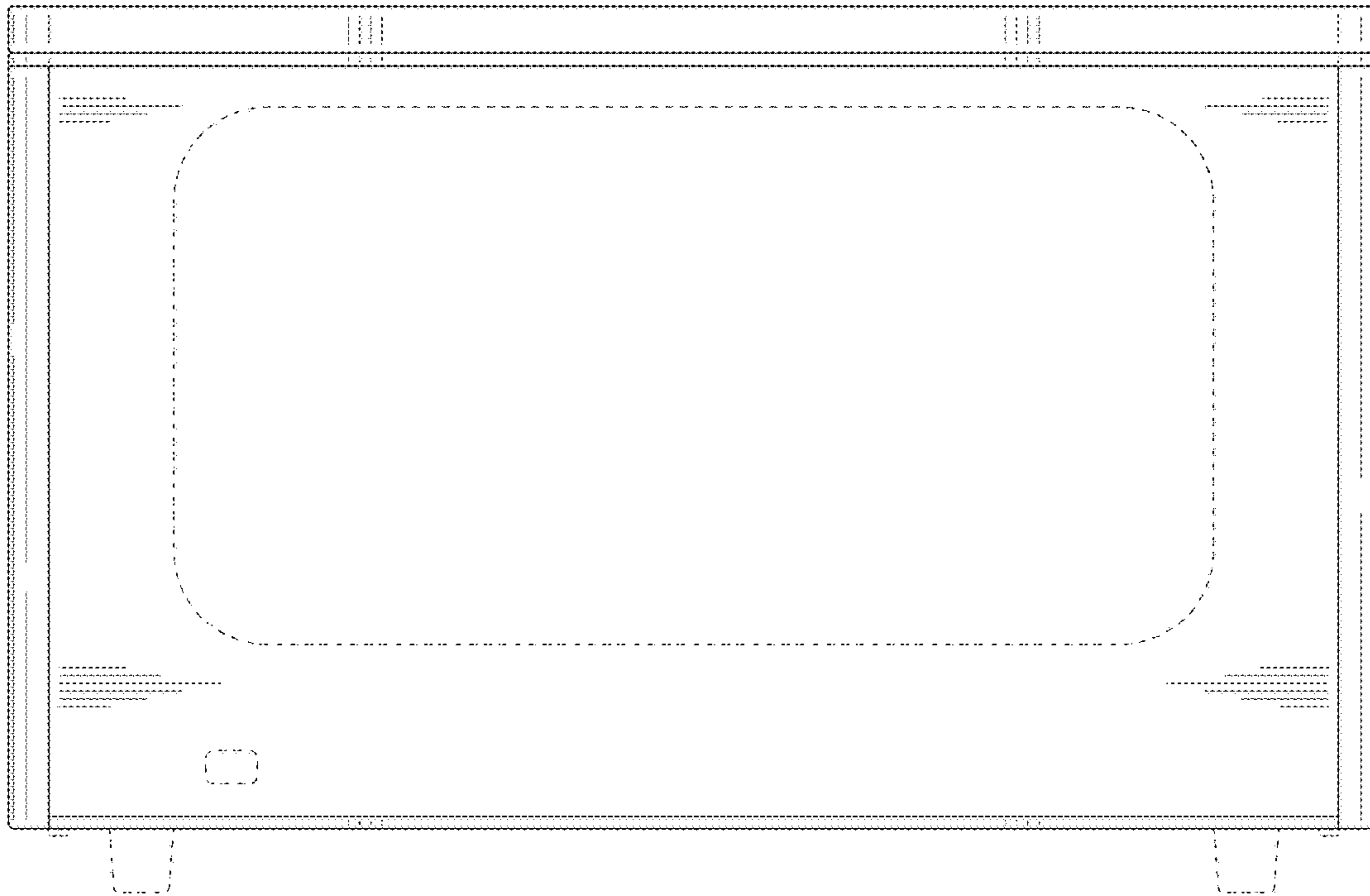


FIG. 4

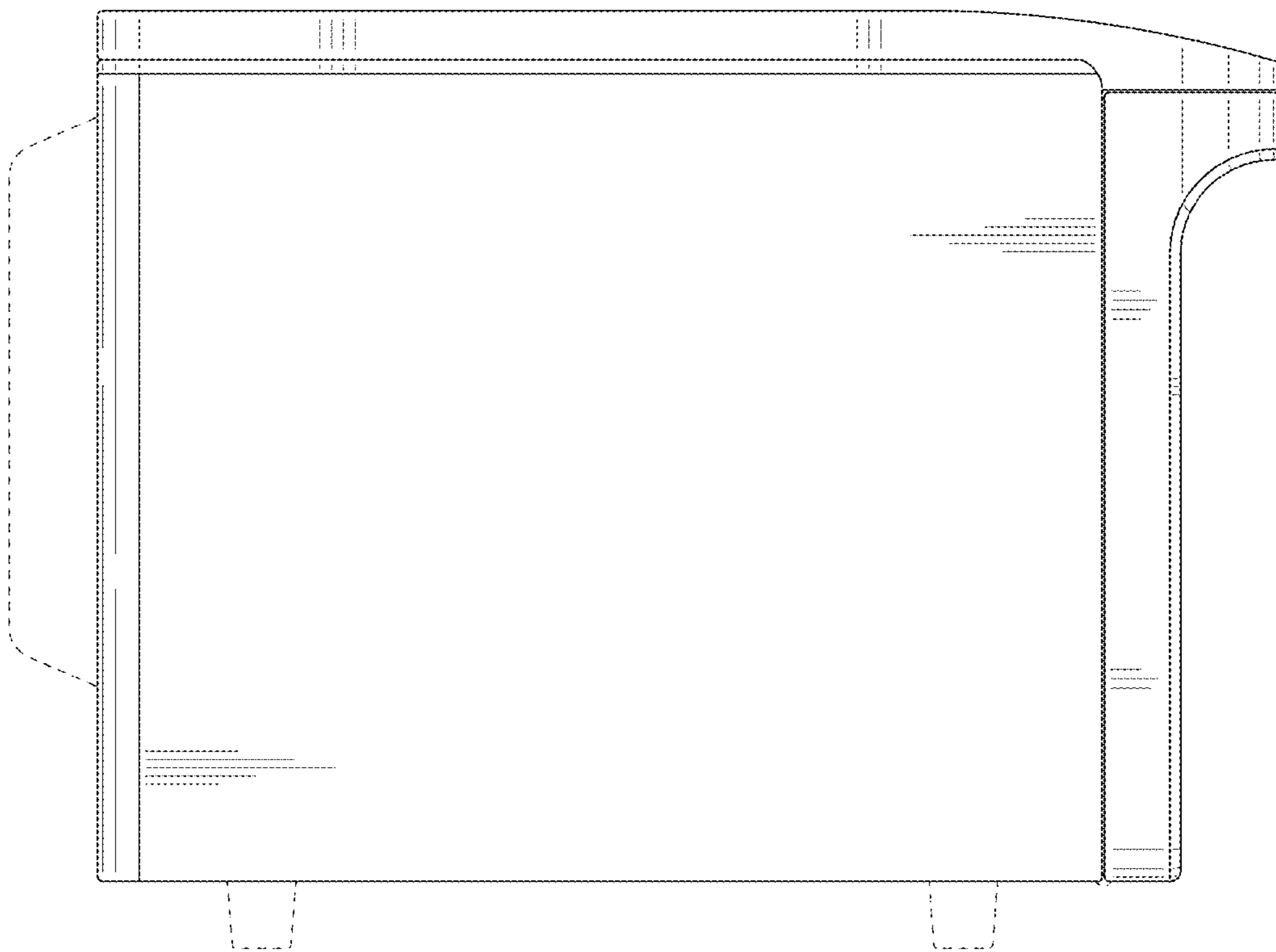


FIG. 5

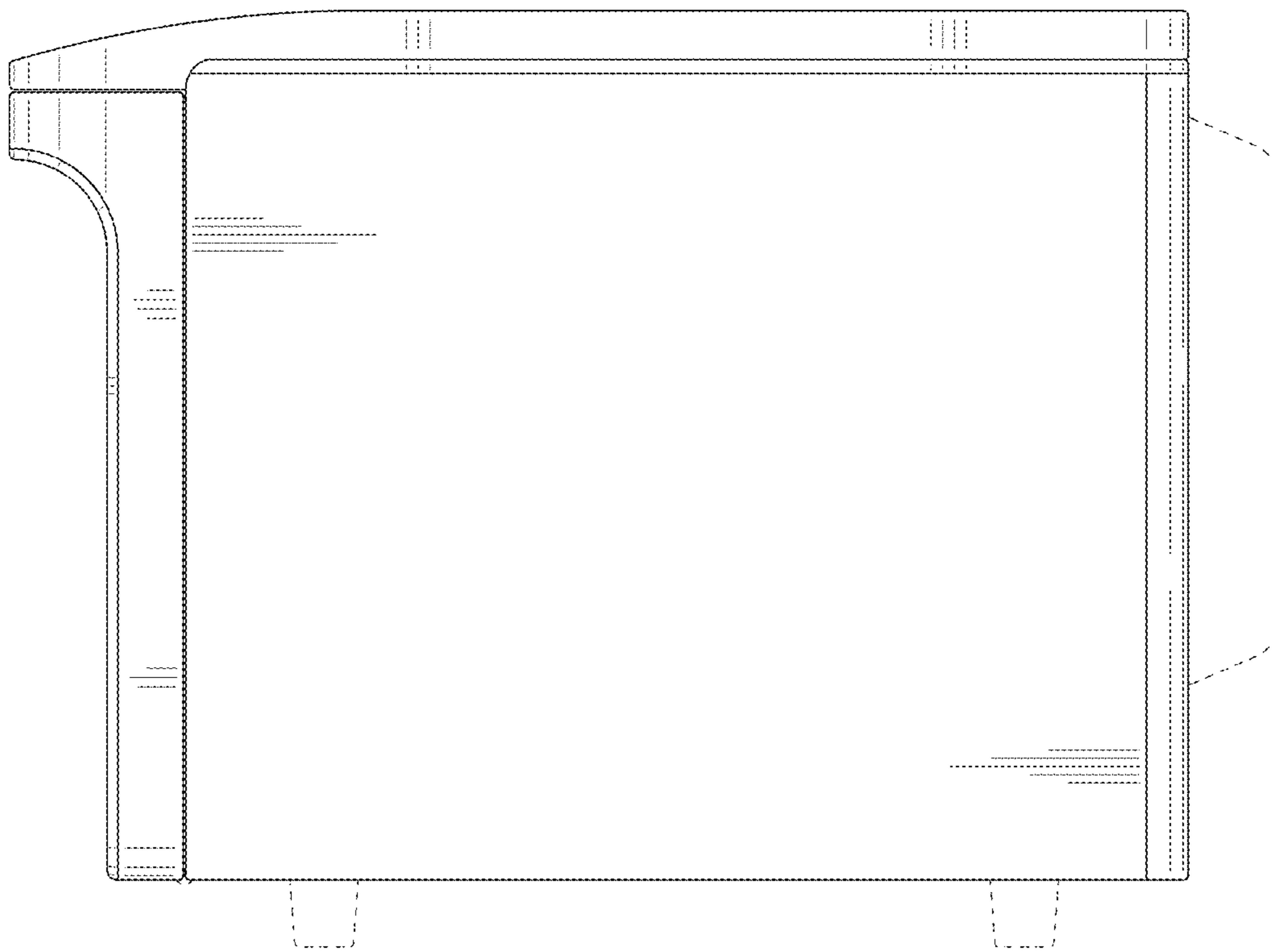


FIG. 6

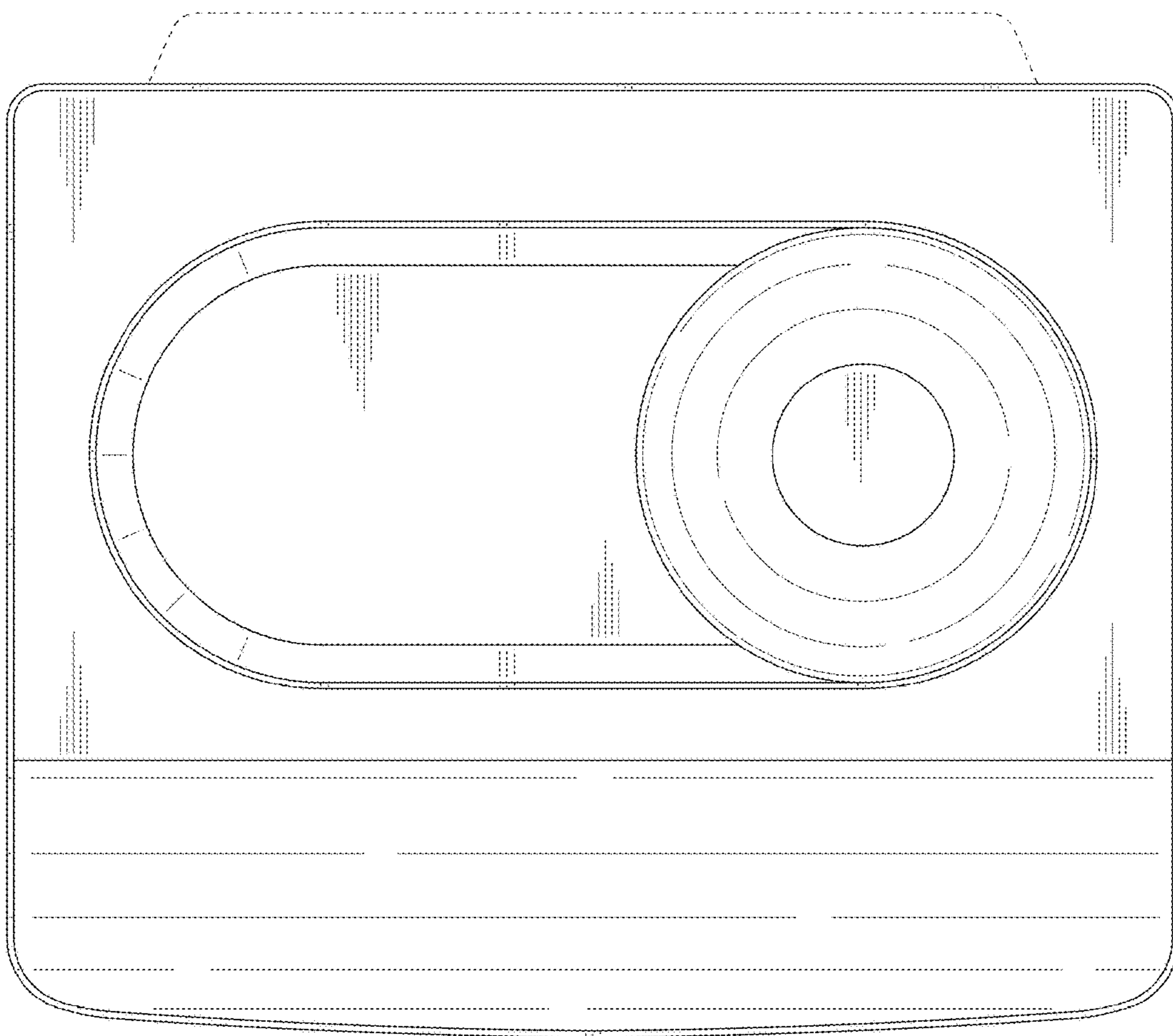


FIG. 7

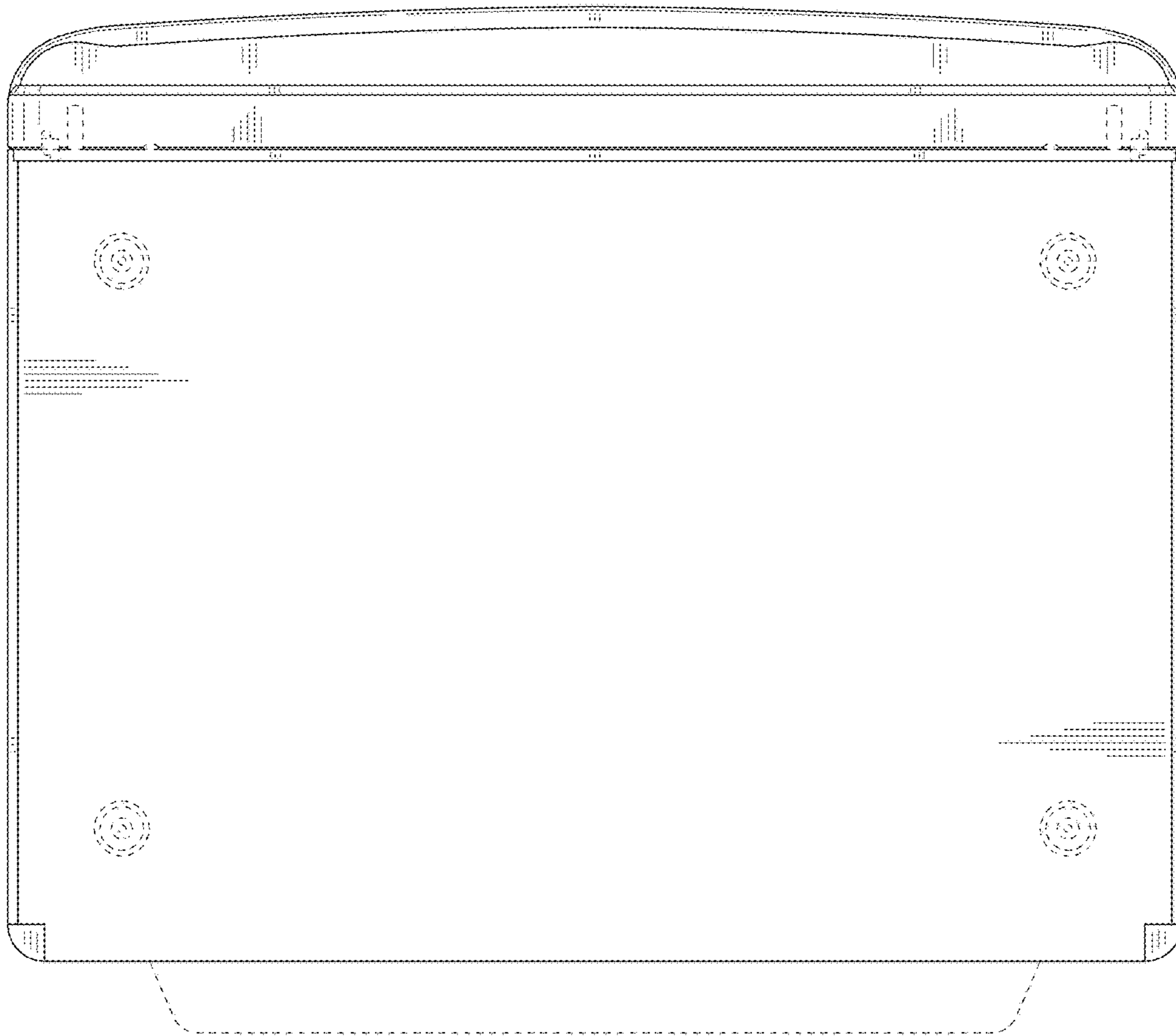


FIG. 8

