



US00D783334S

(12) **United States Design Patent**  
**Kotani**

(10) **Patent No.:** **US D783,334 S**

(45) **Date of Patent:** **\*\* Apr. 11, 2017**

(54) **LIQUID STORAGE POT**

(71) Applicant: **ZOJIRUSHI CORPORATION**,  
Osaka-shi, Osaka (JP)

(72) Inventor: **Keito Kotani**, Kobe (JP)

(73) Assignee: **Zojirushi Corporation** (JP)

(\*\*) Term: **15 Years**

(21) Appl. No.: **29/537,246**

(22) Filed: **Aug. 24, 2015**

(30) **Foreign Application Priority Data**

Feb. 25, 2015 (JP) ..... 2015-003923

(51) **LOC (10) Cl.** ..... **07-01**

(52) **U.S. Cl.**  
USPC ..... **D7/317; D7/318**

(58) **Field of Classification Search**  
USPC ..... D7/316-322, 598, 600, 310, 536, 507,  
D7/608; 222/188, 465.1, 713; D23/209;  
99/285, 304, 292  
CPC .... A47J 41/0027; A47J 31/50; A47J 45/0077;  
A47J 31/053; A47J 31/20; A47J 31/02;  
A47J 45/10; A47J 31/14; A47J 411/02;  
A47J 31/38; A47J 31/306; A47G 19/22;  
A47G 19/12

See application file for complete search history.

(56) **References Cited**

**U.S. PATENT DOCUMENTS**

1,295,425 A \* 2/1919 Brown et al. .... B67B 7/28  
222/83.5  
D157,795 S \* 3/1950 Schwarz ..... D7/317  
D293,643 S \* 1/1988 Bormioli ..... D7/318  
D302,370 S \* 7/1989 Gibert ..... D7/317  
D303,905 S \* 10/1989 Gibert ..... D7/317  
D311,475 S \* 10/1990 Durand ..... D7/317

D323,598 S \* 2/1992 Sambinelli ..... D7/317  
D481,254 S \* 10/2003 Lin ..... D7/317  
D489,219 S \* 5/2004 O'Connor ..... D7/317  
D490,266 S \* 5/2004 Imai ..... D7/317  
D587,957 S \* 3/2009 Imai ..... D7/317  
D593,790 S \* 6/2009 Lin ..... D7/317

(Continued)

**FOREIGN PATENT DOCUMENTS**

JP D1165666 2/2003  
JP D1183410 9/2003

(Continued)

**OTHER PUBLICATIONS**

The Peacock Vacuum Bottle Co., Ltd, Union Catalog 2013, p. 09,  
issued on Jan. 2013.

*Primary Examiner* — Marianne Pandozzi

(74) *Attorney, Agent, or Firm* — Saidman DesignLaw  
Group, LLC

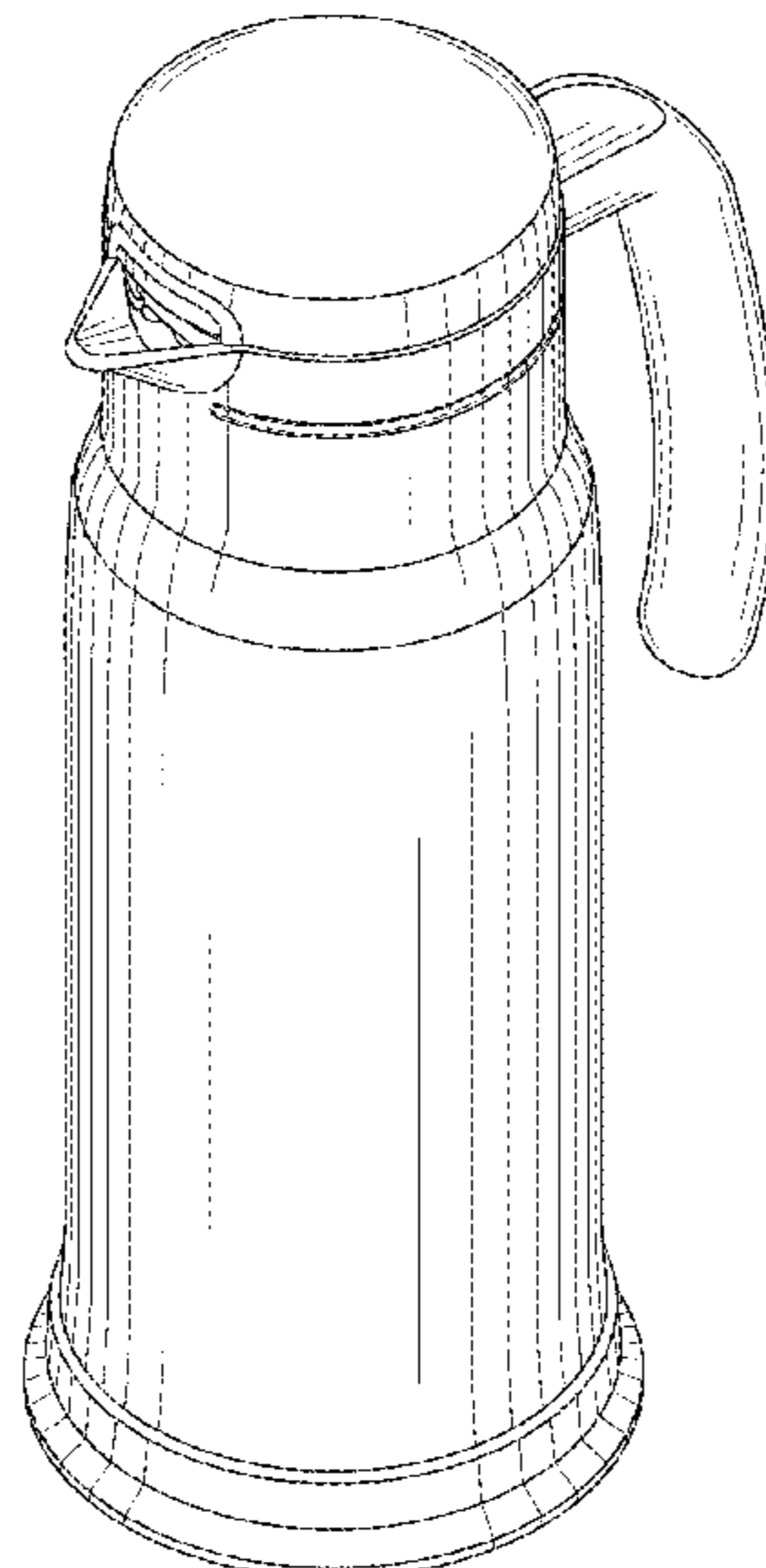
(57) **CLAIM**

The ornamental design for a liquid storage pot, as shown and  
described.

**DESCRIPTION**

FIG. 1 is a top perspective view of a liquid storage pot  
showing my new design;  
FIG. 2 is a bottom perspective view thereof;  
FIG. 3 is a front elevational view thereof;  
FIG. 4 is a rear elevational view thereof;  
FIG. 5 is a left side view thereof;  
FIG. 6 is a right side view thereof;  
FIG. 7 is a top plan view thereof; and,  
FIG. 8 is a bottom plan view thereof.  
The broken lines depict environmental subject matter only  
and form no part of the claimed design.

**1 Claim, 7 Drawing Sheets**



(56)

**References Cited**

U.S. PATENT DOCUMENTS

D602,730 S \* 10/2009 Kino ..... D7/317  
7,735,957 B2 \* 6/2010 Kudo ..... B41J 2/16532  
347/29  
D686,864 S \* 7/2013 Poul ..... D7/317  
D750,426 S \* 3/2016 Bann ..... D7/392

FOREIGN PATENT DOCUMENTS

JP D1213692 8/2004  
JP D1259030 12/2005  
JP D1267684 4/2006  
JP D1280412 9/2006  
JP D1302456 6/2007  
JP D1350886 2/2009  
JP D1356257 4/2009  
JP D1369931 9/2009  
JP D1428719 12/2011  
JP D1430424 12/2011  
JP D1431321 1/2012  
JP D1437375 4/2012  
JP D1442105 5/2012  
JP D1465495 4/2013  
JP D1484140 11/2013  
JP D1484141 11/2013

\* cited by examiner

Fig. 1

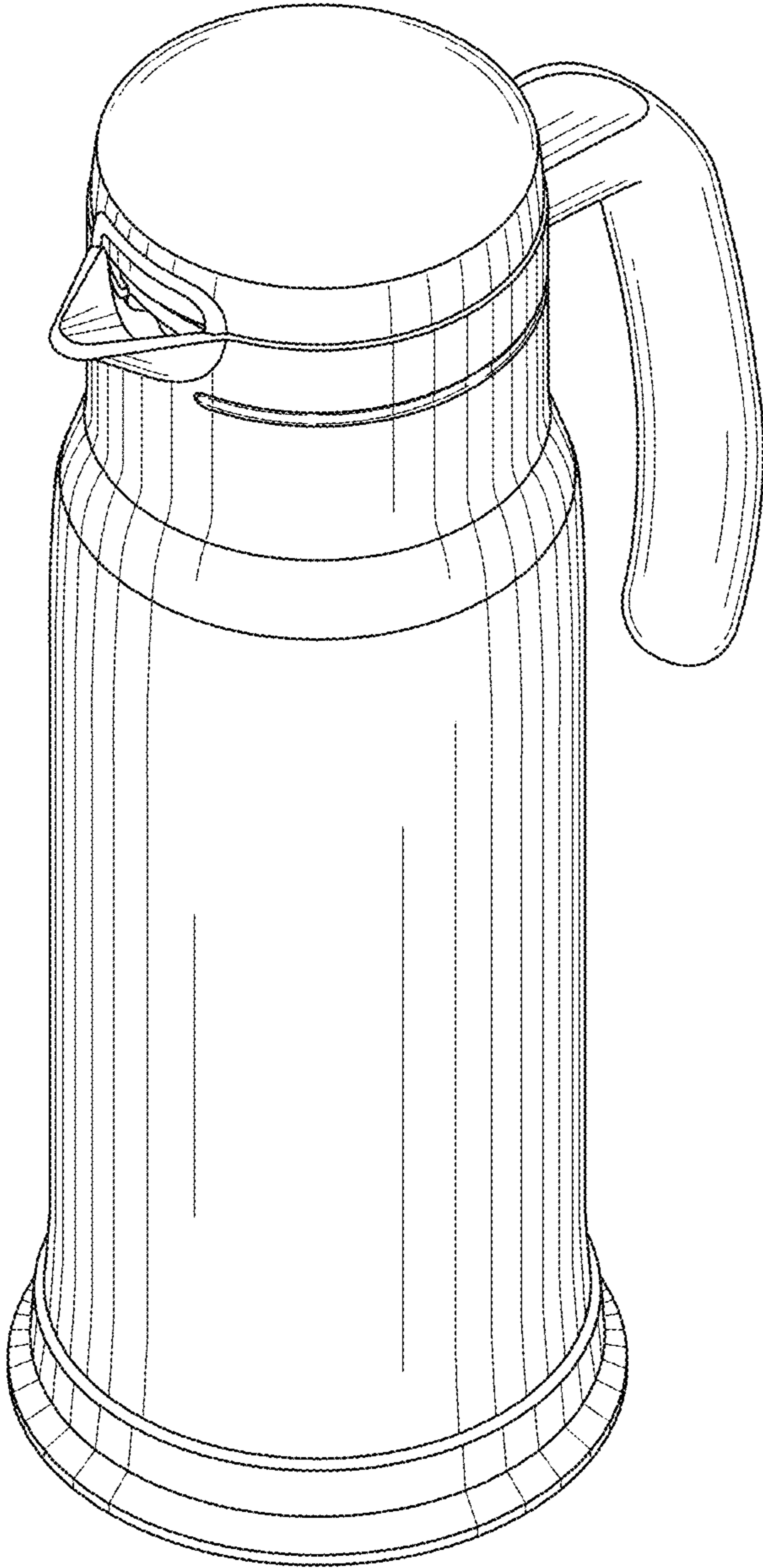


Fig. 2

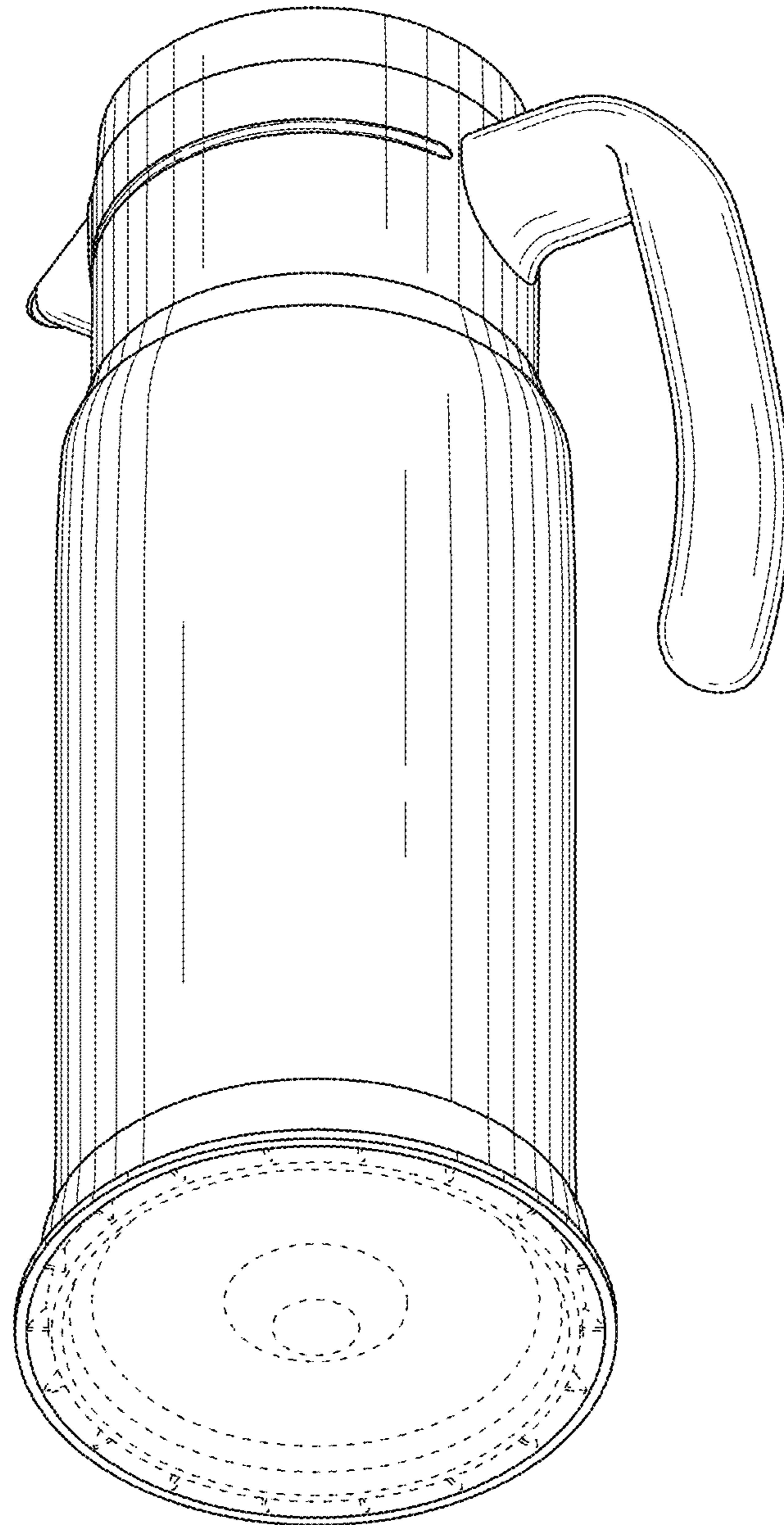


Fig. 3

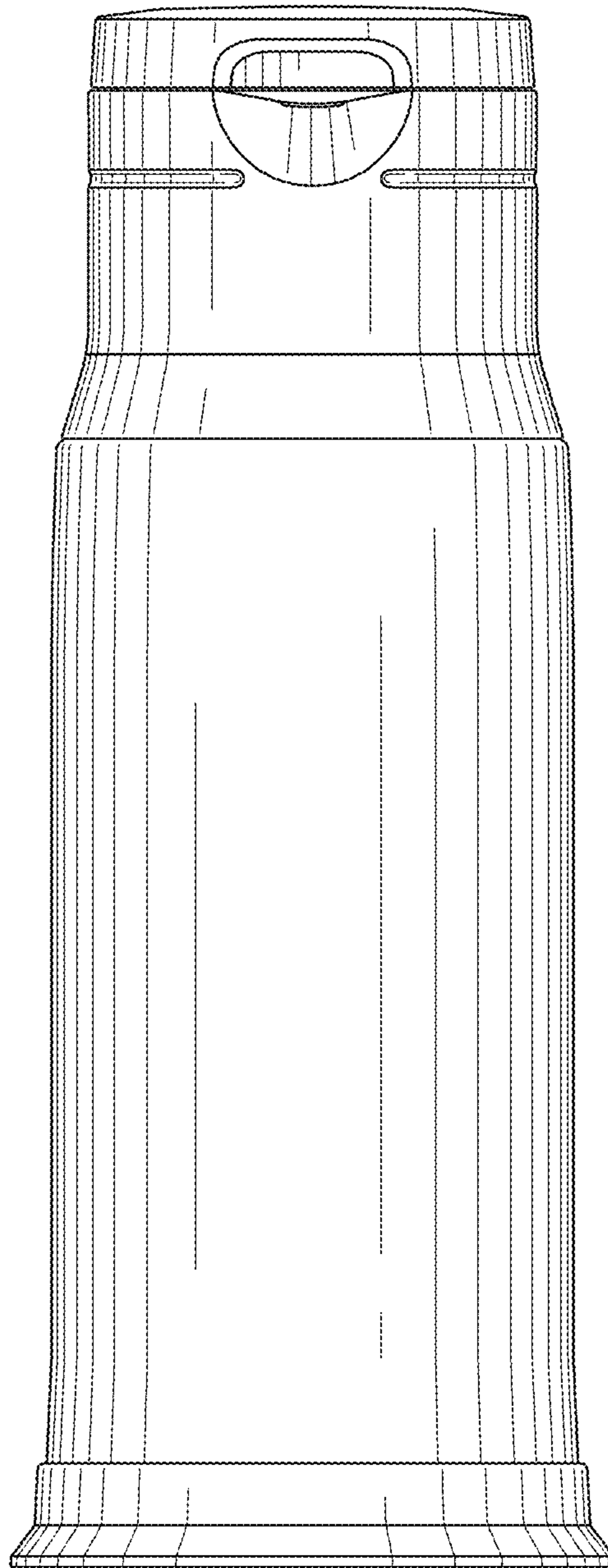


Fig. 4

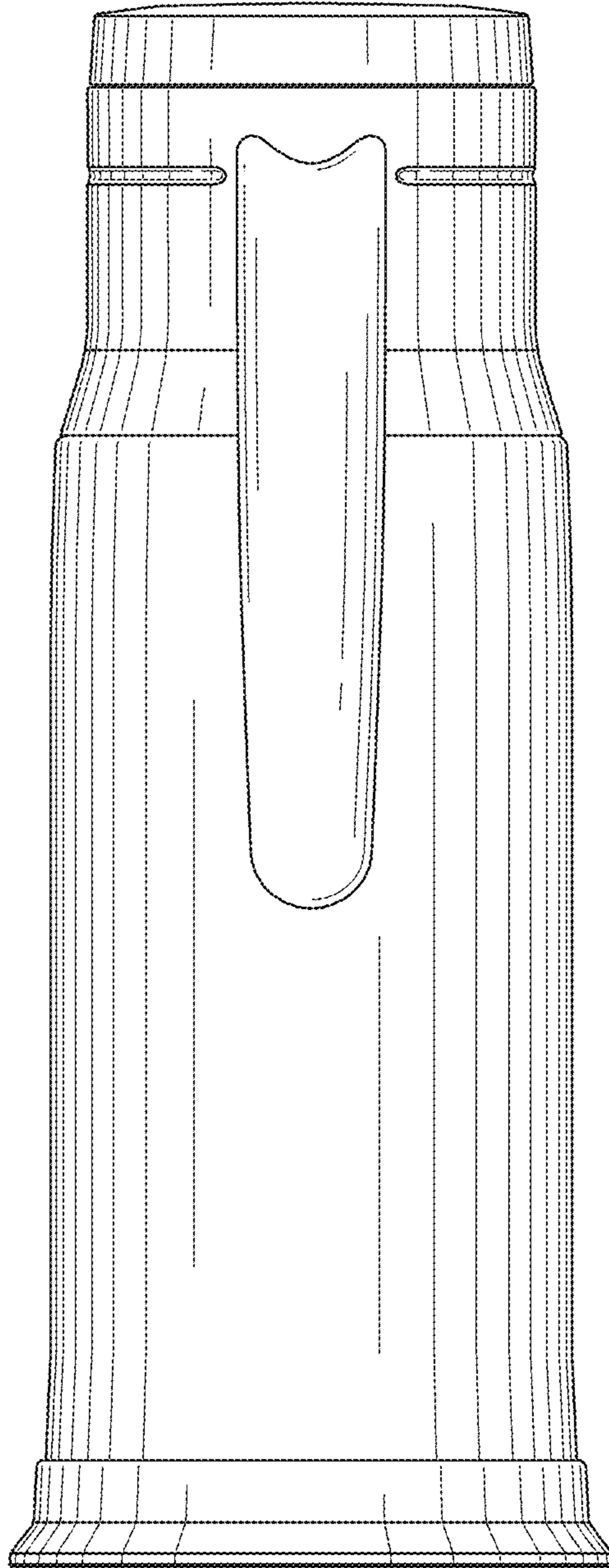


Fig. 5

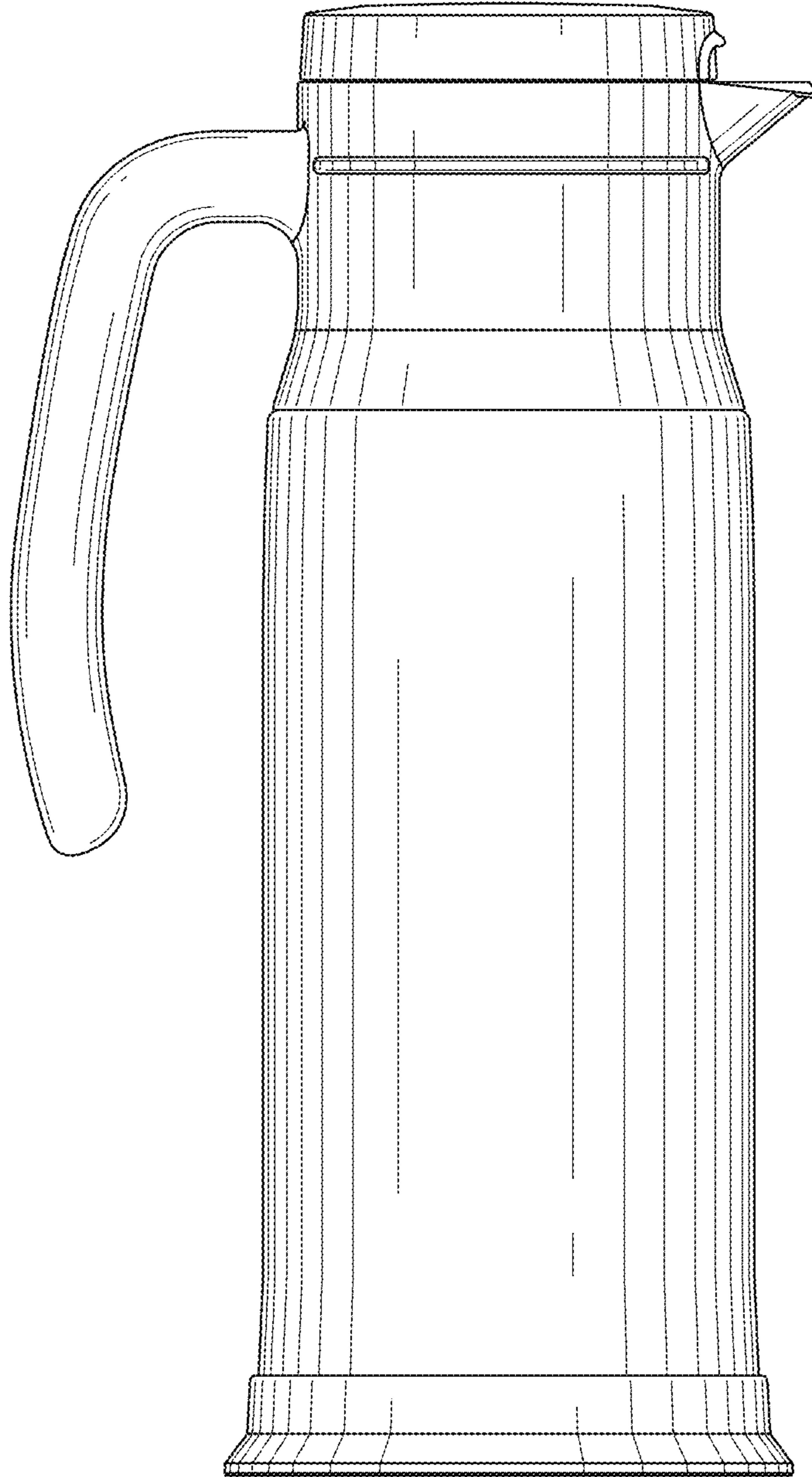


Fig. 6

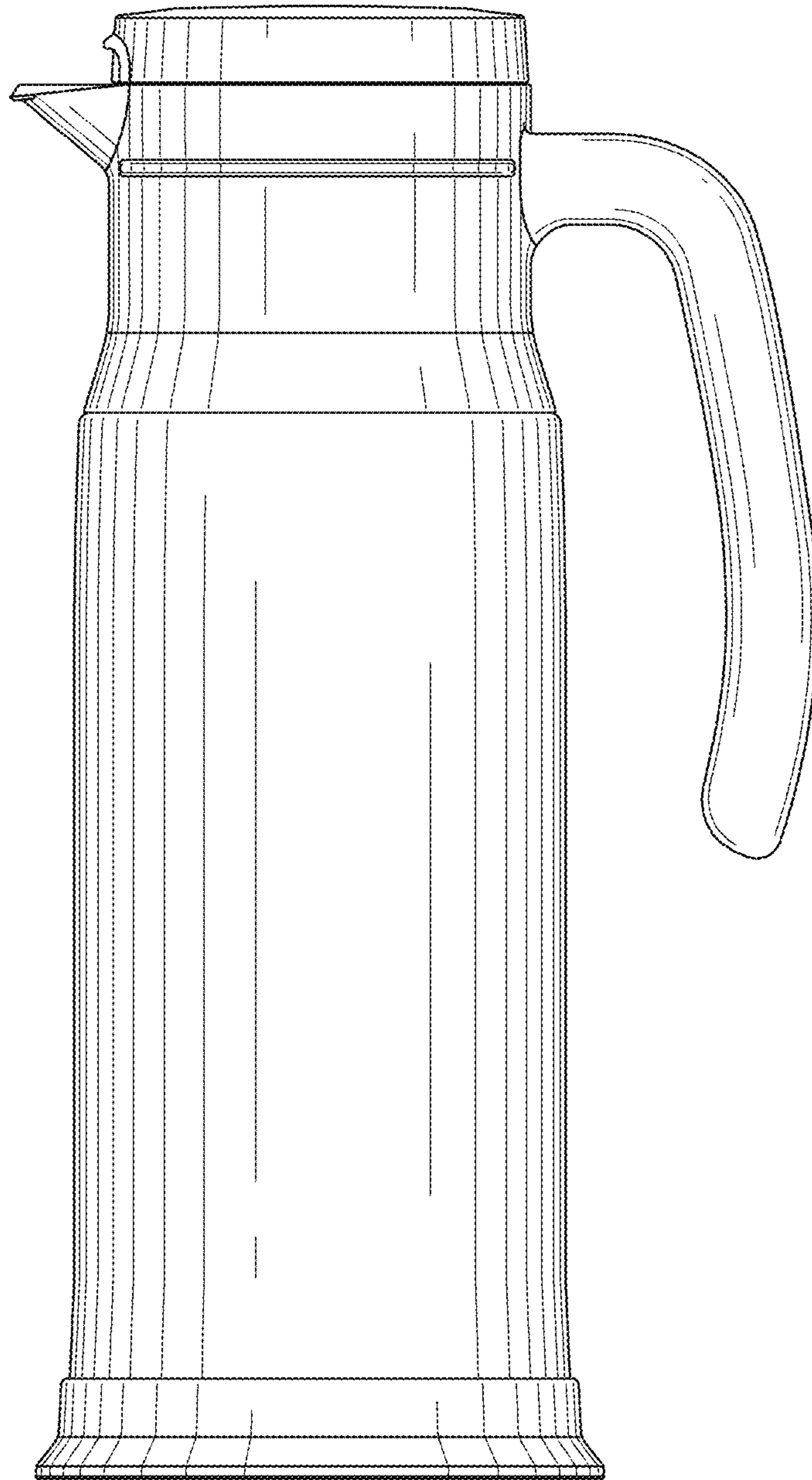




Fig. 7

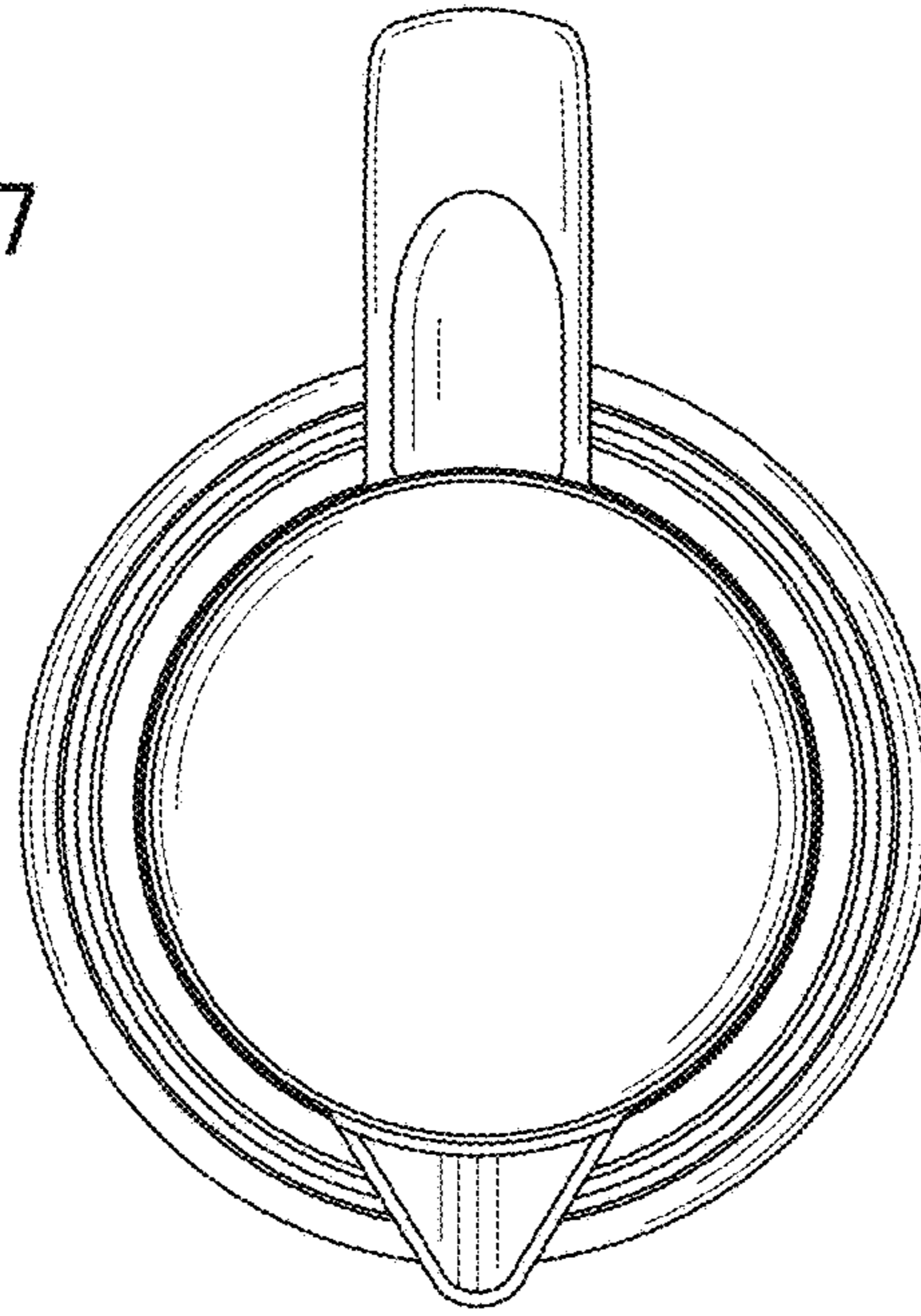


Fig. 8

