



US00D783332S

(12) **United States Design Patent** (10) **Patent No.:** **US D783,332 S**  
**Kim** (45) **Date of Patent:** **\*\* Apr. 11, 2017**

(54) **ADJUSTABLE BED WITH BEDPAN**

(71) Applicant: **Young-Keon Kim**, Tokyo (JP)

(72) Inventor: **Young-Keon Kim**, Tokyo (JP)

(73) Assignee: **EIKEN INC.** (JP)

(\*\*) Term: **14 Years**

(21) Appl. No.: **29/515,100**

(22) Filed: **Jan. 20, 2015**

(30) **Foreign Application Priority Data**

Jul. 21, 2014 (KR) ..... 30-2014-0035661

(51) **LOC (10) Cl.** ..... **06-02**

(52) **U.S. Cl.**  
USPC ..... **D6/718; D24/123**

(58) **Field of Classification Search**  
USPC ..... D6/391, 382, 392, 718; D24/123  
CPC . A61G 7/02; A61G 7/047; A61G 7/05; A61G  
7/015

See application file for complete search history.

(56) **References Cited**

U.S. PATENT DOCUMENTS

- 3,943,583 A \* 3/1976 Ishikawa ..... A61G 7/02  
4/144.1
- 4,677,700 A \* 7/1987 Su ..... A61G 7/02  
4/420.4
- D348,792 S \* 7/1994 DeGroot ..... D6/604
- 5,351,349 A \* 10/1994 Tsai ..... A61G 7/02  
5/604
- D375,849 S \* 11/1996 Conrad ..... D6/361

(Continued)

Primary Examiner — Cathron Brooks

(74) *Attorney, Agent, or Firm* — St Onge Steward  
Johnston and Reens LLC

(57) **CLAIM**

The ornamental design for a adjustable bed with bedpan, as shown and described.

**DESCRIPTION**

FIG. 1 is a top, right side and front isometric view of a adjustable bed with bedpan in accordance with the new design with a bed mattress in a flat position with a bedpan cover positioned in the mattress;

FIG. 2 is a top plan view thereof;

FIG. 3 is a top, right side and front isometric view of a adjustable bed with bedpan in accordance with the new design with the bed mattress in a raised position with the bedpan cover positioned in the mattress and a bedpan positioned below the bedpan cover;

FIG. 4 is a top plan view thereof;

FIG. 5 is a top, right side and front isometric view of a adjustable bed with bedpan in accordance with the new design with the bed mattress in a raised position with the bedpan cover removed to provide an opening in the mattress and the bedpan positioned below the opening;

FIG. 6 is a top plan view thereof;

FIG. 7 is a top, right side and front isometric view of a adjustable bed with bedpan in accordance with the new design with the bed mattress in a raised position with the bedpan cover removed to provide an opening in the mattress and the bedpan lifted so it is positioned within the opening;

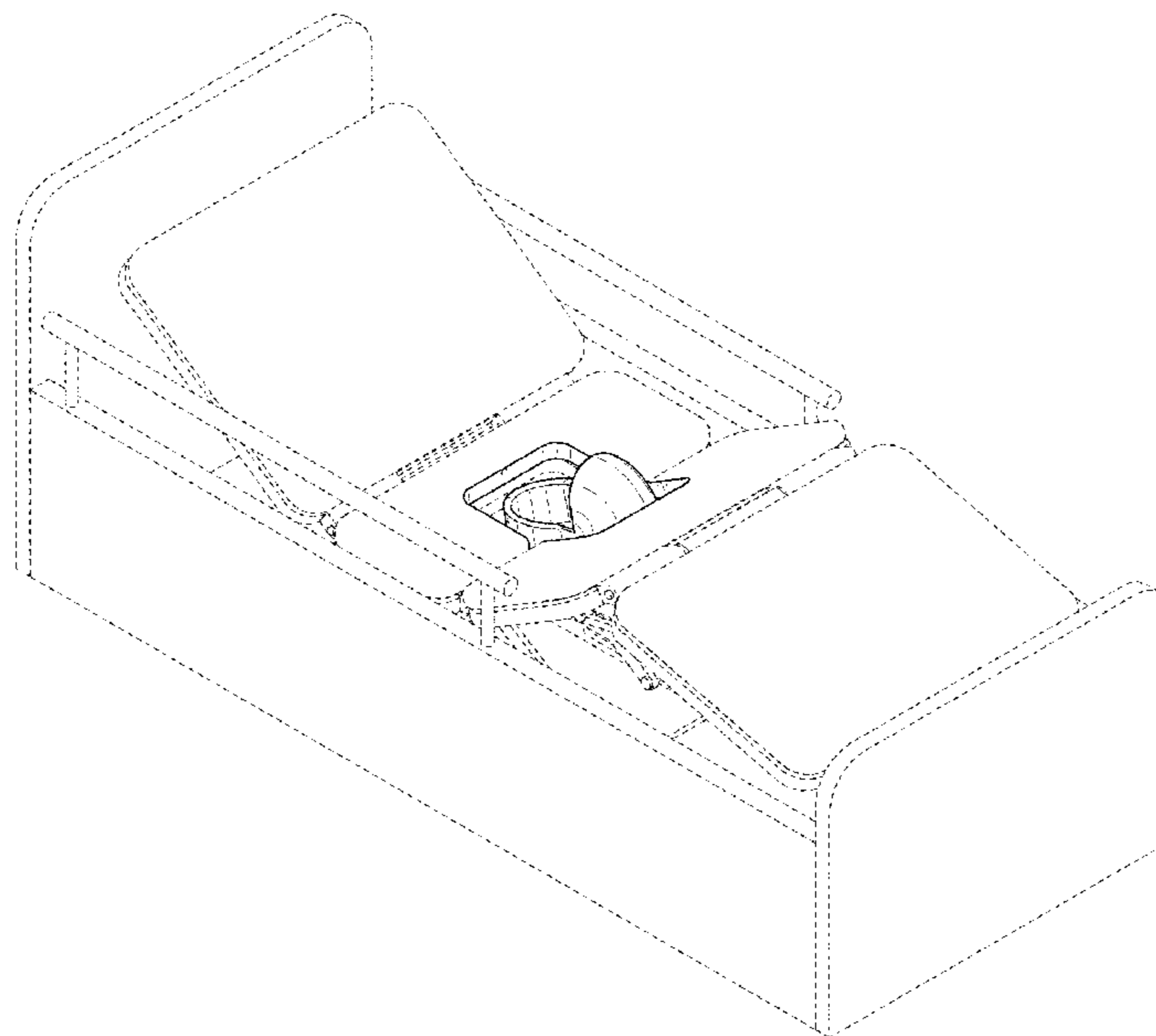
FIG. 8 is a right elevation view thereof;

FIG. 9 is a left elevation view thereof; and,

FIG. 10 is a top plan view thereof.

The broken lines shown in FIGS. 1-10 are for the purpose of illustrating portions of the adjustable bed with bedpan that form no part of the claimed design.

**1 Claim, 10 Drawing Sheets**





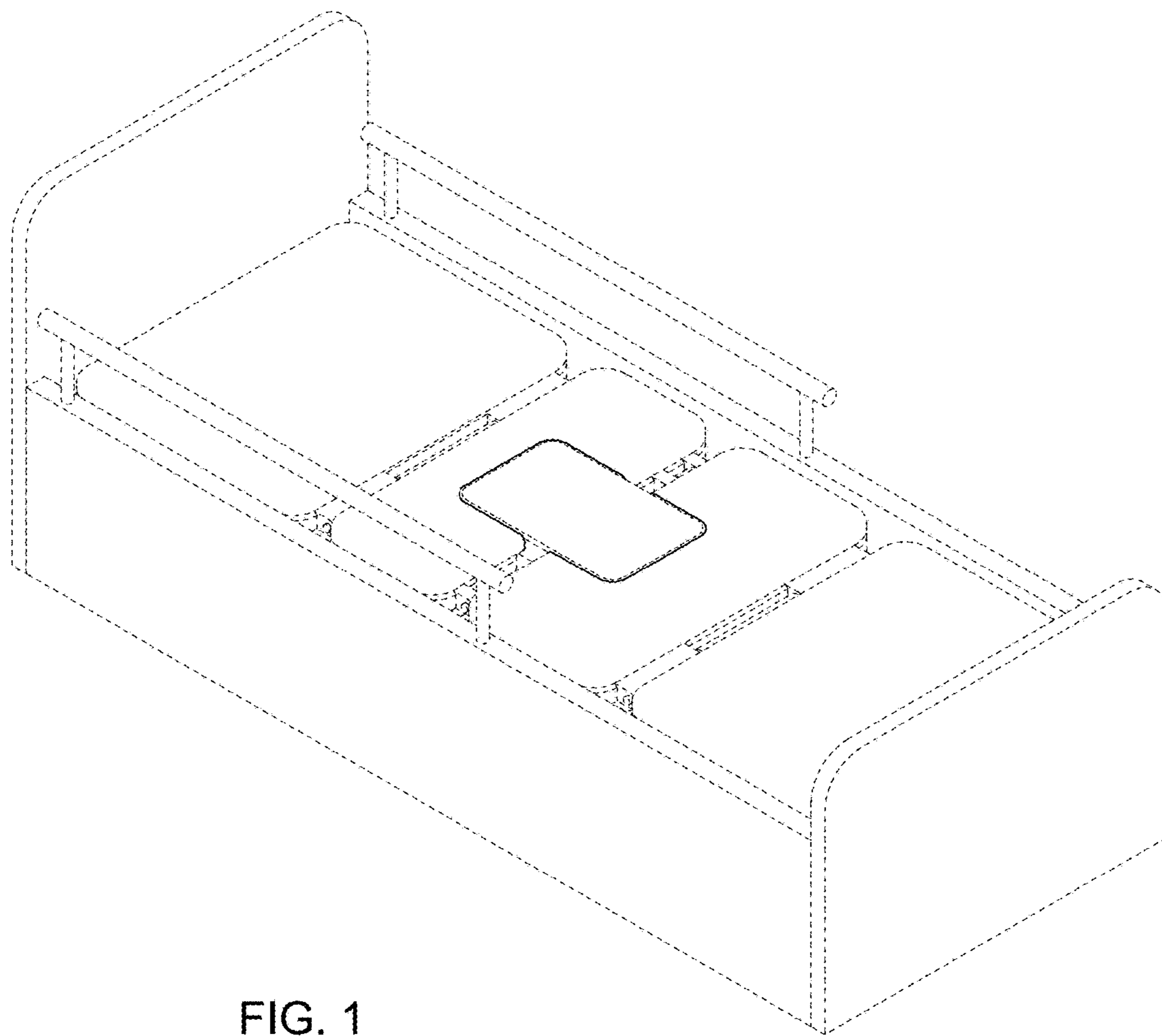


FIG. 1

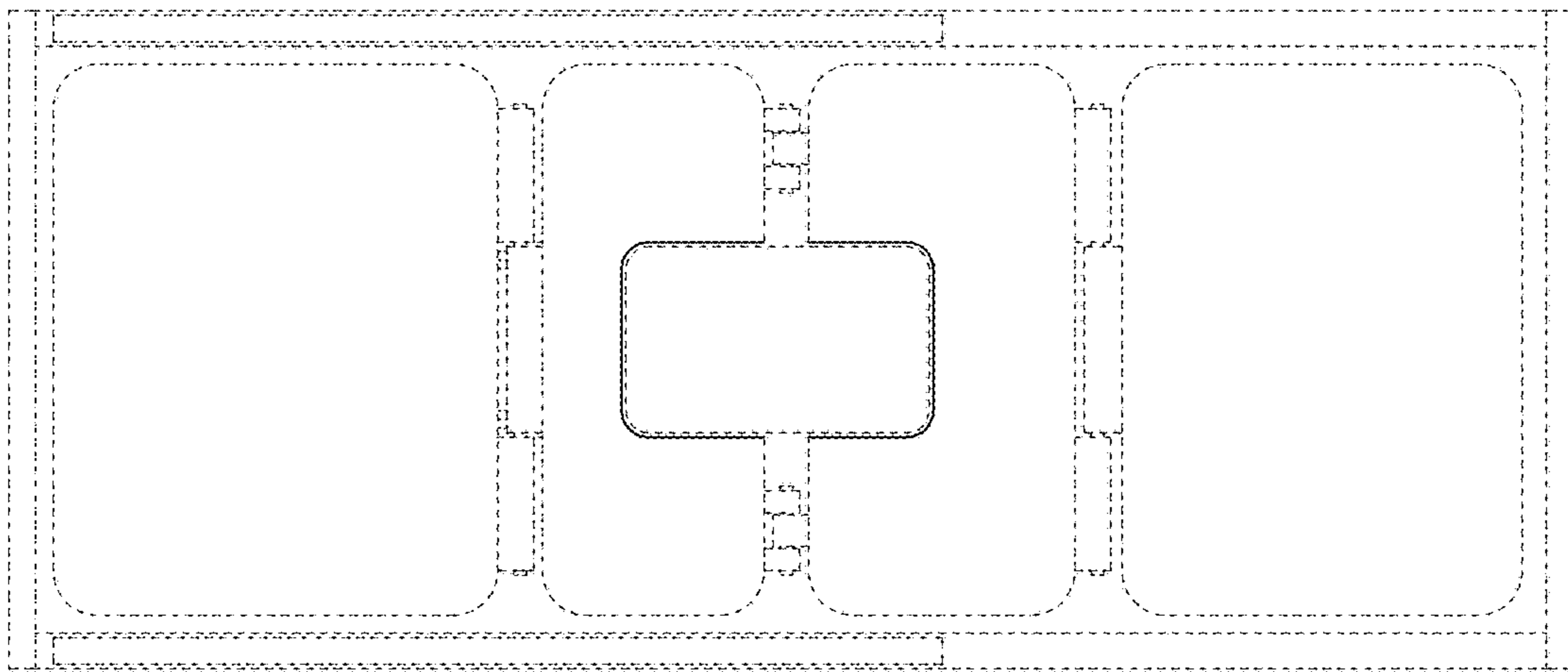


FIG. 2

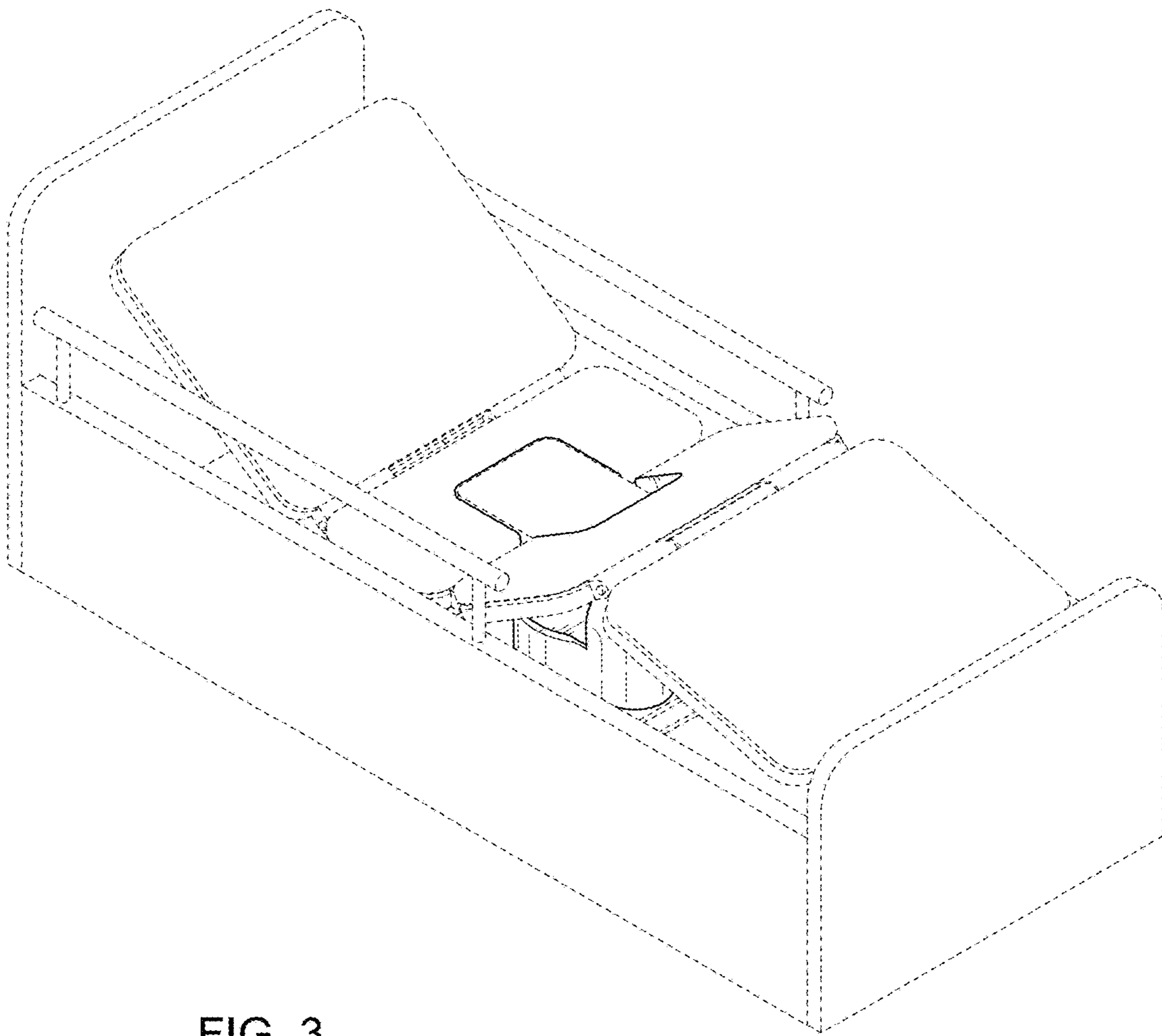


FIG. 3

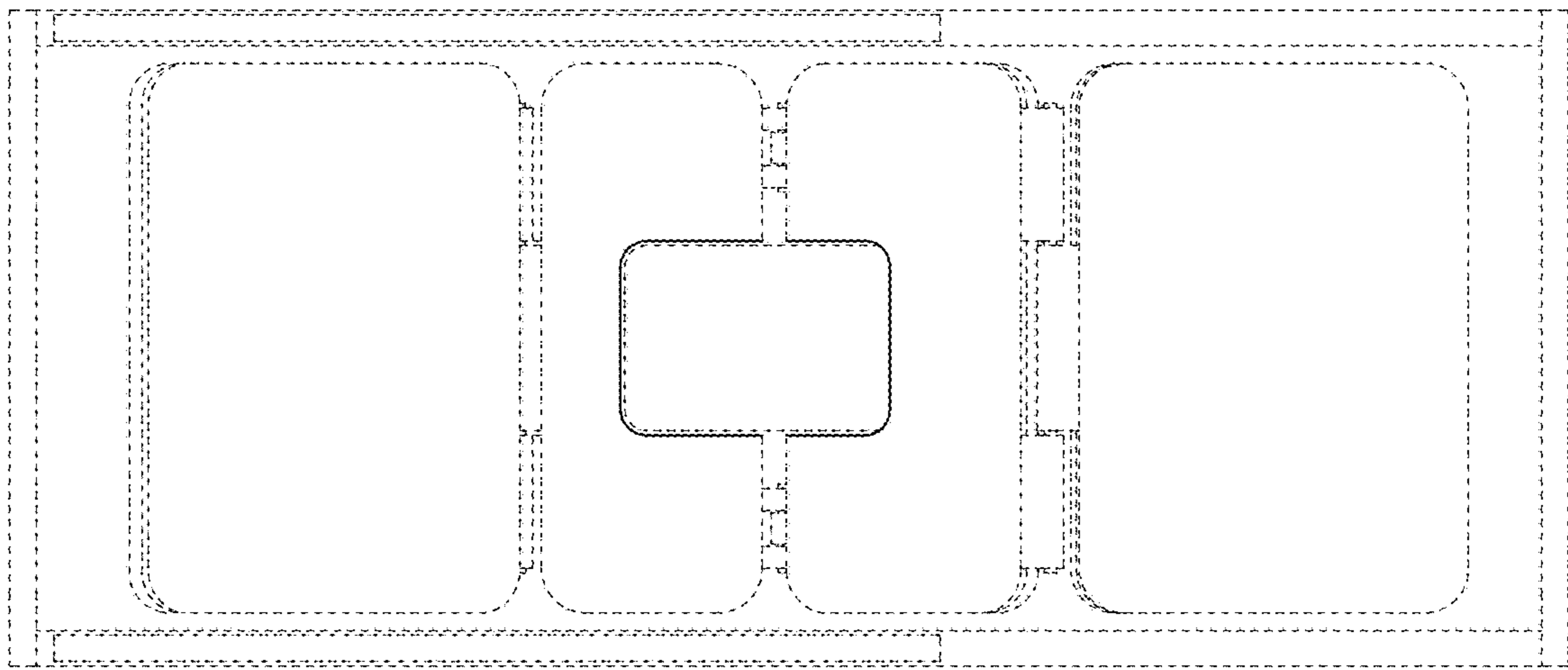


FIG. 4

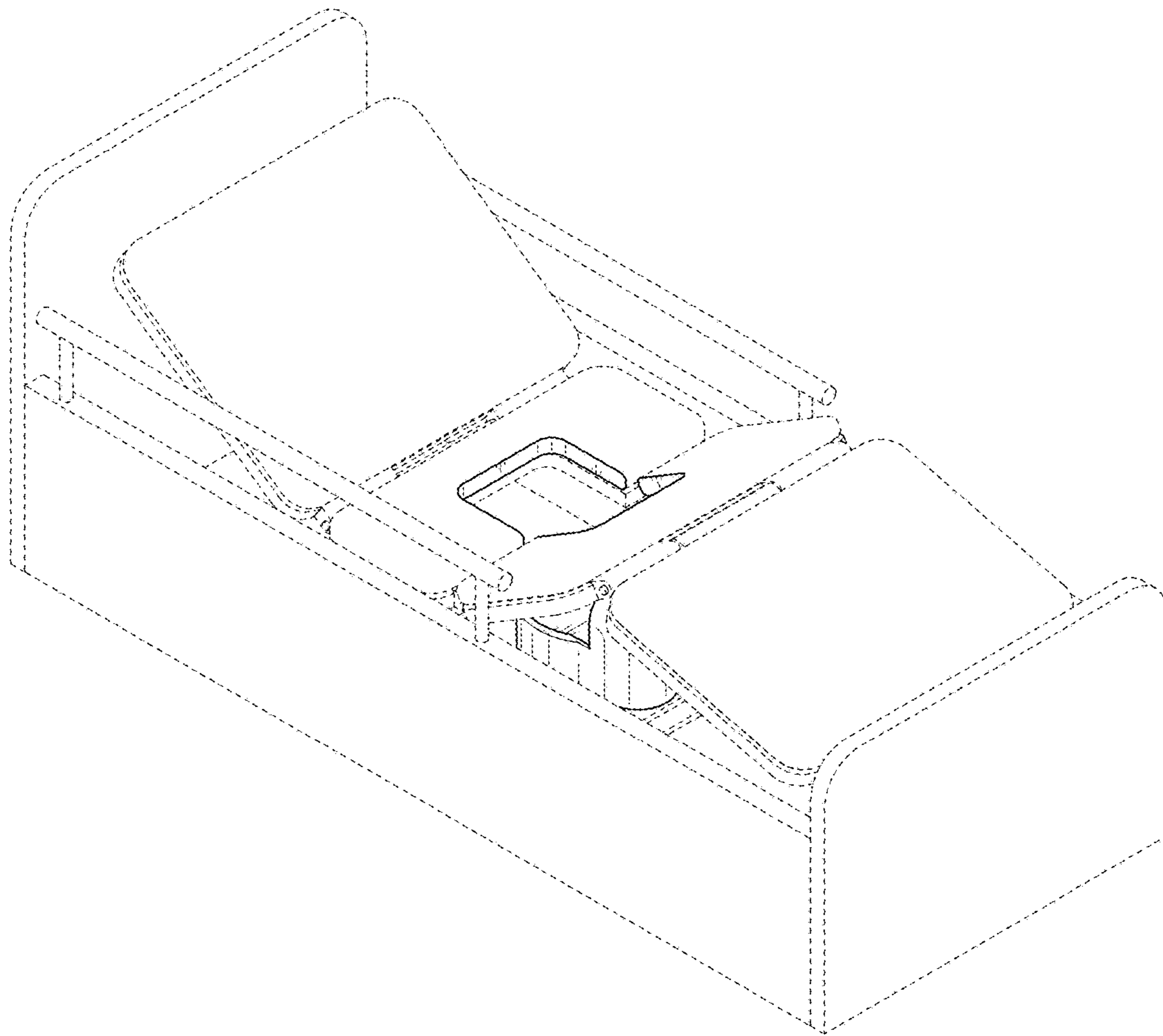


FIG. 5

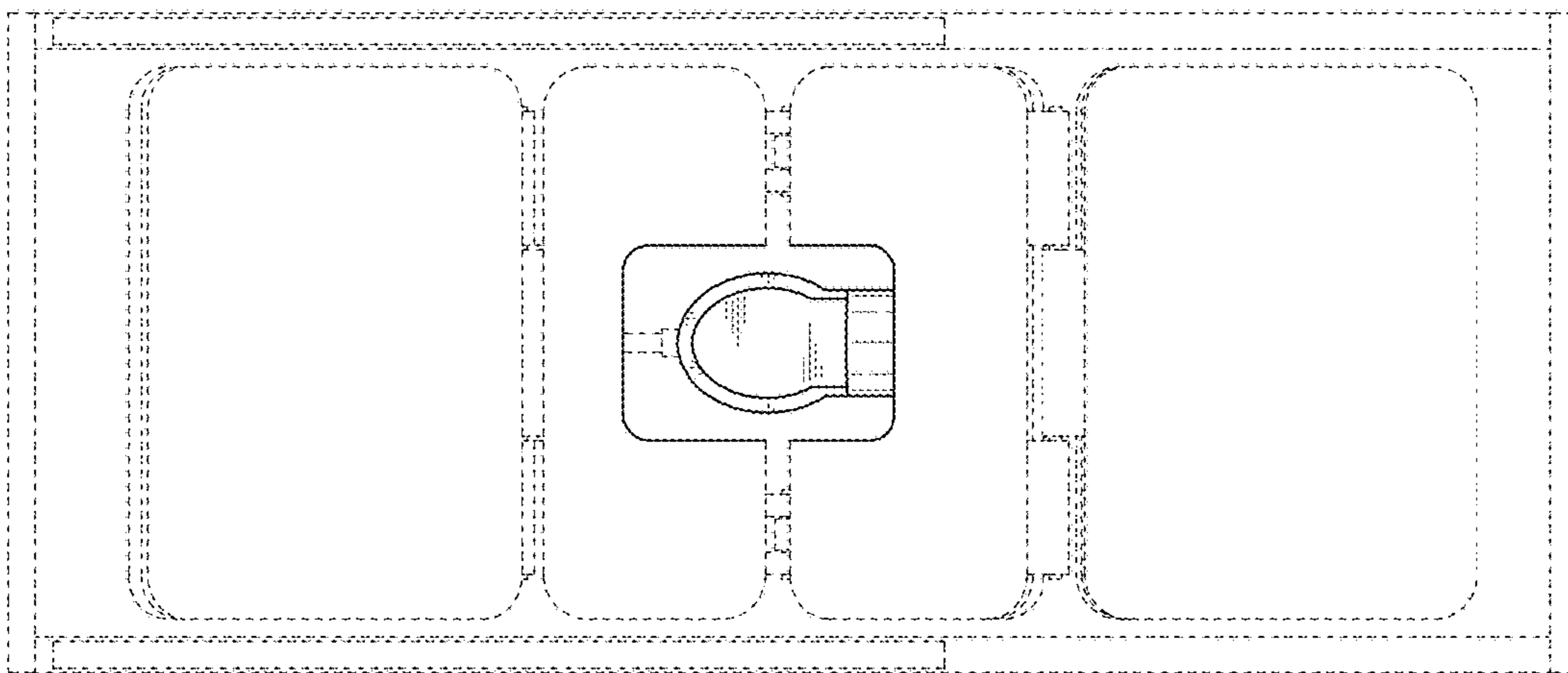


FIG. 6



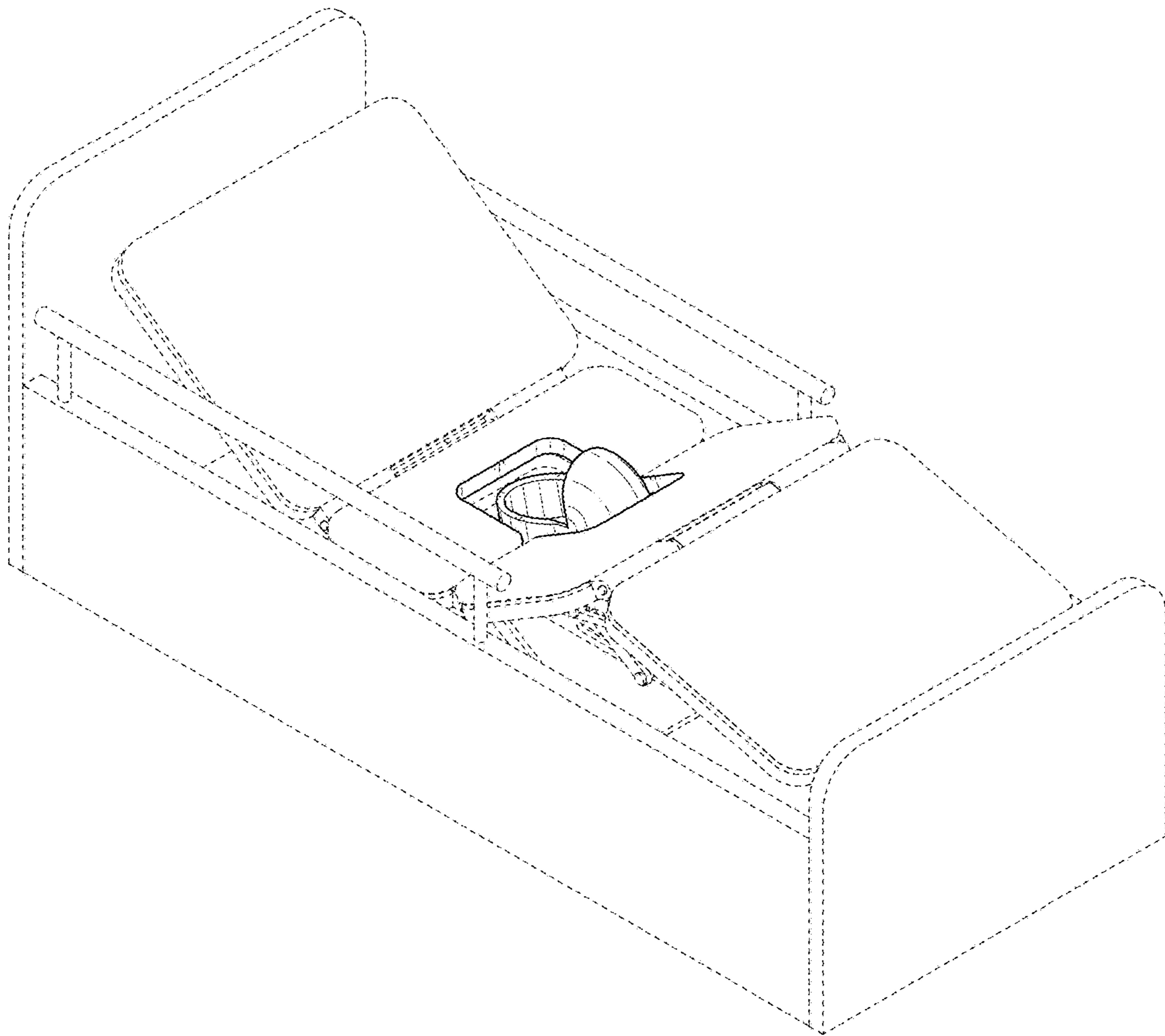


FIG. 7

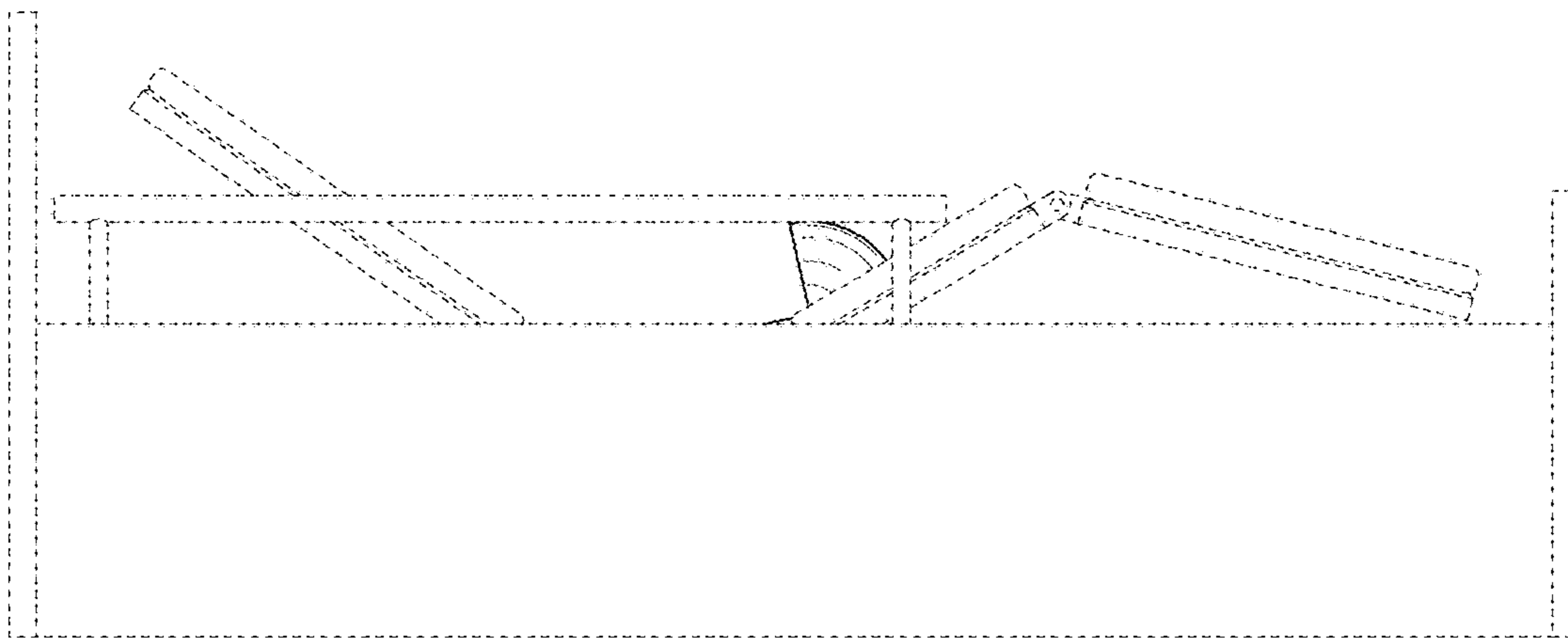


FIG. 8

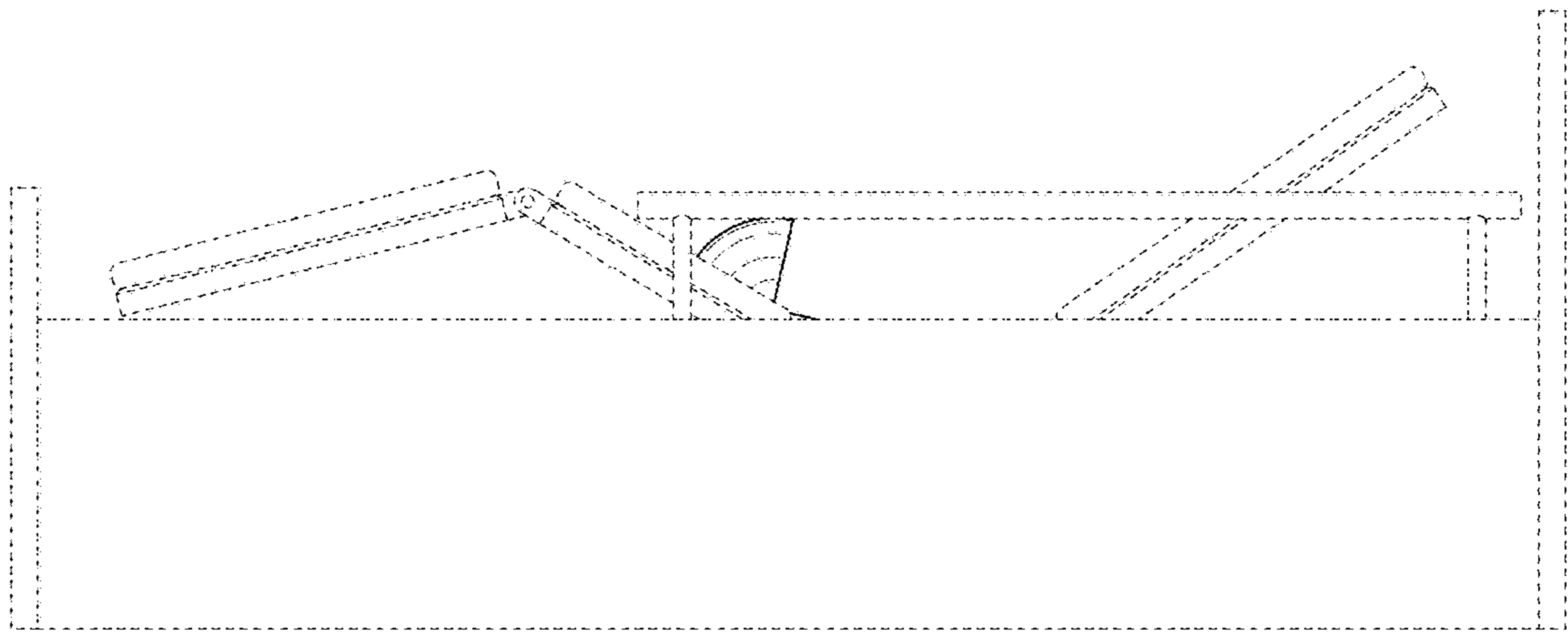


FIG. 9

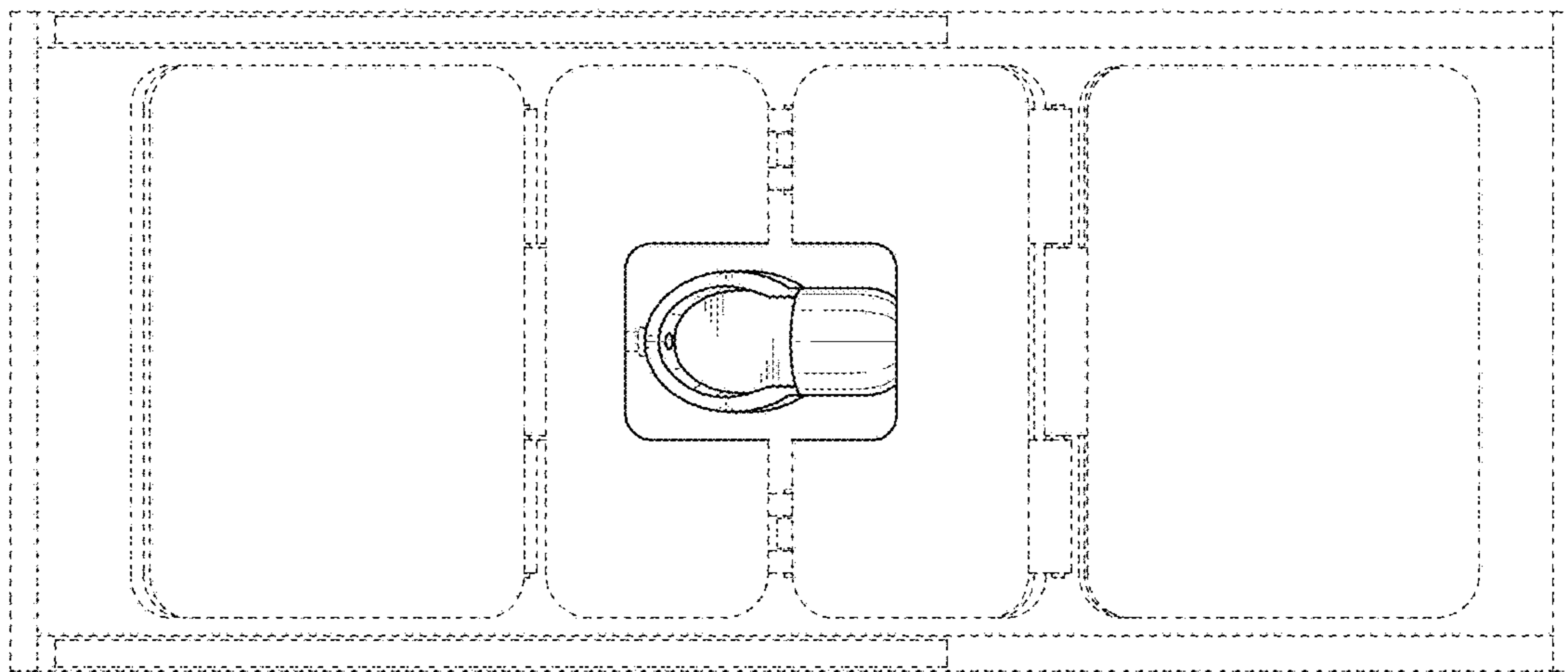


FIG. 10