



US00D783331S

(12) **United States Design Patent** (10) **Patent No.:** **US D783,331 S**
Alvarez et al. (45) **Date of Patent:** **** Apr. 11, 2017**

(54) **STOOL BASE**
(71) Applicant: **A-dec, Inc.**, Newberg, OR (US)
(72) Inventors: **Jason Alvarez**, Portland, OR (US);
Aaron Ochsner, Nehalem, OR (US)
(73) Assignee: **A-dec, Inc.**, Newberg, OR (US)
(**) Term: **14 Years**
(21) Appl. No.: **29/519,432**
(22) Filed: **Mar. 4, 2015**
(51) **LOC (10) Cl.** **06-06**
(52) **U.S. Cl.**
USPC **D6/708.23**
(58) **Field of Classification Search**
USPC D6/334-336, 363-366, 368, 702-710
CPC A47C 7/002; A47C 7/004; A47C 7/006;
A47C 3/20; A47C 3/24
See application file for complete search history.

D683,551 S * 6/2013 Wu D6/366
D684,783 S * 6/2013 Hsiao D6/366
D704,946 S * 5/2014 Wu D6/366
2016/0256342 A1 * 9/2016 Alvarez A47C 7/54

OTHER PUBLICATIONS

Perch 360-Degree Adjustable Backless Rolling Swivel Stool.
[online] Published date Dec. 16, 2009. Retrieved on Sep. 19, 2016
from <URL: https://www.amazon.com/Perch-360-Degree-Adjustable-Backless-Footing/dp/B0031071GM/ref=sr_1_25?ie=UTF8&qid=1474309990&sr=8-25&keywords=dental+stools>.*
DentalEZ® Generation™ Operator Dental Stool from DentalEZ.
[online] Published date unknown. Retrieved on Sep. 19, 2016 from
<URL: <http://www.dentalcompare.com/4518-Dentist-Chair-Dental-Stools/36014-Generation-Doctor-s-Stool/>>.*

(Continued)

Primary Examiner — Vy Koenig
Assistant Examiner — Omeed Agilee
(74) *Attorney, Agent, or Firm* — Klarquist Sparkman,
LLP

(57) **CLAIM**

We claim the ornamental design for a stool base, as shown
and described.

DESCRIPTION

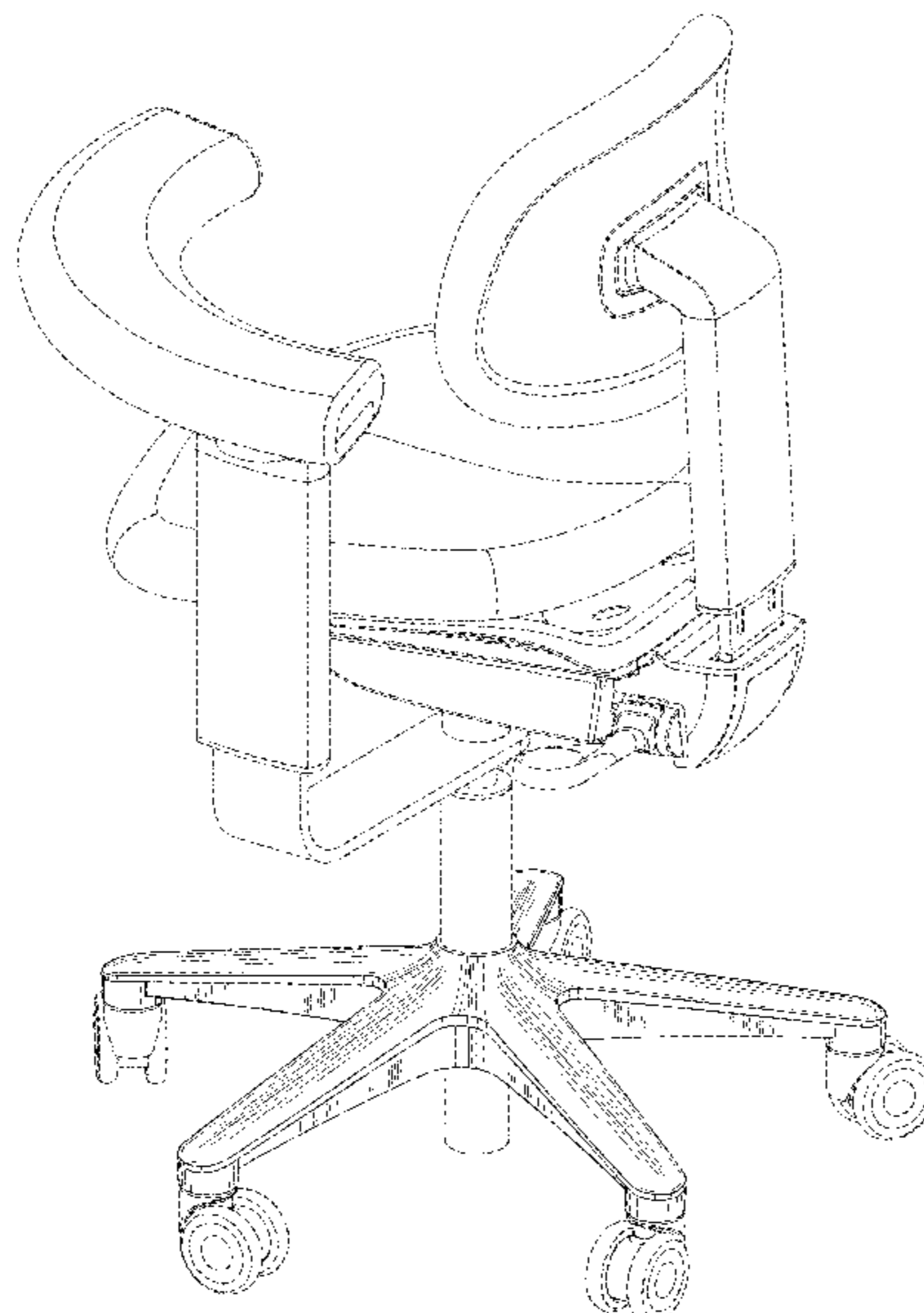
FIG. 1 is a perspective view of a stool base on a stool
showing a top, left side and rear.
FIG. 2 is a top plan view of the stool base of FIG. 1.
FIG. 3 is a rear elevational view of the stool base.
FIG. 4 is a front elevational view of the stool base; and,
FIG. 5 is a left side elevational view of the stool base, the
right side being a mirror image.
The broken line showings of the mounting portion in all
figures illustrate portions of the stool base that form no part
of the claimed design. The broken line showing of the stool
seat in FIG. 1 illustrates environmental structure and forms
no part of the claimed design.

1 Claim, 3 Drawing Sheets

(56) **References Cited**

U.S. PATENT DOCUMENTS

D353,268 S * 12/1994 Ambasz D6/366
5,402,973 A * 4/1995 Haines A47C 7/004
248/188.7
D407,583 S * 4/1999 Perl D6/708.23
D416,698 S * 11/1999 Newhouse D6/366
D448,591 S * 10/2001 Nixon D6/366
D471,039 S * 3/2003 Chen D6/366
D472,079 S * 3/2003 Chen D6/708.23
D496,535 S * 9/2004 Goodworth D6/366
D514,832 S * 2/2006 Tsai D6/366
D535,113 S * 1/2007 Wang D6/366
D543,369 S * 5/2007 Hara D6/366
D569,136 S * 5/2008 Pearsons D6/708.23
D569,663 S * 5/2008 Pearsons D6/708.23
D583,581 S * 12/2008 Hara D6/366
D639,576 S * 6/2011 Breen D6/366



(56)

References Cited

OTHER PUBLICATIONS

Office chair Base replacement part. [online] Published date unknown. Retrieved on Sep. 19, 2016 from <URL: <http://www.swivel-chair-parts.com/7302GTextureBase.html>>.*

3 Results. [online] Published date unknown. Retrieved on Sep. 19, 2016 from <URL: <https://tineye.com/search/248249fa3082b78c00da937da1fd9081dd3d4b39/?pluginver=chrome-1.1.5>>.*

A-dec 500 Dental Stools. [online] Published date unknown. Retrieved on Sep. 28, 2016 from <URL: <http://us.a-dec.com/en/Products/Dental-Chairs/Dental-Stools/A-dec-500>>.*

A-dec, Inc., Specialty Seating for Robust Support, <http://us.a-dec.com/en/~media/Adec/Document%20Library/Product%20Information/Sales%20Information/Fact%20Sheets/85607200.pdf> (downloaded Jun. 4, 2015).

Ahearn, Dr. David J., "Operator Seating: Support for Life," <http://rgpdental.com/pdfs/ProperSeating.pdf> (downloaded on Jun. 4, 2015).

Back Quality Ergonomics, CorrectSit™, http://www.bqe-usa.com/blobs/PDF2/090707_BQE_CorrectSit_MAIL_ENG_09.pdf (downloaded on Jun. 4, 2015).

Back Quality Ergonomics, Dynamic™, http://www.bqe-usa.com/blobs/PDF2/090707_BQE_Dynamic_MAIL_EN.pdf (downloaded on Jun. 4, 2015).

Back Quality Ergonomics, ErgoSolex™, http://www.bqe-usa.com/blobs/PDF2/090707_BQE_ErgoSolex_MAIL_ENG_09.pdf (downloaded on Jun. 4, 2015).

Back Quality Ergonomics, The Scissor®, 2 pages (document not dated).

Belmont Equipment, Operatory Seating, Dental Seating, 2 pages (document marked 2001).

Belmont Equipment, Operatory Seating, Model 080 and Model 081, 2 pages (document marked 2007).

Belmont Equipment, Operatory Seating, Model 100 and Model 101, 2 pages (document marked 2008).

Brewer Company, Dental Seating, 8 pages (document marked Sep. 2013).

Brewer Design, DynaCore Seating System, http://brewercompany.com/wp-content/uploads/2015/01/LIT-D-008_DynaCore-Brochure.pdf (downloaded Jun. 4, 2015).

Castellini, Stool C9, <http://pdf.medicaexpo.com/pdf/castellini/stool-c9/71690-138078.html#open> (downloaded Jun. 4, 2015).

CB Dental, Andy, 1 page (document not dated).

Crown Seating, The napa line of Dental Stools, <https://nebula.wsimg.com/acd9fba7f7aa3e8a18d3c9db2cf5d13c?AccessKeyId=AA76679BD814093F0D09&disposition=0&alloworigin=1> (downloaded Jun. 4, 2015).

DentalEZ Group, Elbow Support, http://www.dentalez.com/downloads/product-literature/cat_view/71-downloads/49-product-literature/87-dentalez-equipment (downloaded Jun. 4, 2015).

DentalEZ Group, ErgoSure™ Stools, http://www.dentalez.com/downloads/product-literature/cat_view/71-downloads/49-product-literature/87-dentalez-equipment (downloaded Jun. 4, 2015).

DentalEZ Group, ErgoSure™ Stools Manual, <http://www.dentalez.com/products/dentalez/dental-stools/ergosure-stools/63-ergosure-stools-product-literature-photographs-manuals> (downloaded Jun. 4, 2015).

Fedesa, Astral Stool, http://www.fedesa.com/en/tab/tab_1.php (downloaded on Jun. 4, 2015).

Forest Dental, Doctor's Deluxe 6126C, <http://catalog.forestdental.com/chairs-stools/stools> (downloaded Jun. 4, 2015).

KaVo, Physio Evo, <http://pdf.medicaexpo.com/pdf/kavo/physio-evo/70663-126121.html> (downloaded Jun. 4, 2015).

KaVo, Physio One, <http://www.kavo.com/en/file/4702/download?token=EeWCNgzk> (downloaded on Jun. 4, 2015).

Midmark, Seating, <http://www.midmark.com/docs/default-source/marketing-collateral/007-0715-00.pdf?sfyrsn=2> (downloaded Jun. 4, 2015).

Pelton & Crane, Spirit Chairs, 5 pages (document marked May 2012).

Pelton & Crane, Stools, 1 page (document not dated).

Planmeca, Dental Stools, 2 pages (document not dated).

RGP Inc, Dental, <http://rgpdental.com/dental> (downloaded Jun. 4, 2015).

Royal Dental Group, RO44 Operator Stool, <http://www.royaldentalgroup.com/pdfs/RO44.pdf> (downloaded Jun. 4, 2015).

Salli, Surgeon, http://www.salli.com/print.asp?siteid=en&id=Salli_Surgeon_2 (downloaded Dec. 10, 2014).

Salli, Swing, http://www.salli.com/print.asp?siteid=en&id=Salli_Swing (downloaded Dec. 10, 2015).

Salli, SwingFit, http://www.salli.com/print.asp?siteid=en&id=Salli_SwingFit_2 (downloaded Dec. 10, 2014).

Salli, Twin, http://www.salli.com/print.asp?siteid=en&id=Salli_Twin (downloaded Dec. 10, 2014).

Sirona, Carl—The All-Around, Seat, <http://www.sirona.com/en/products/treatment-centers/carl/?tab=390> (downloaded Jun. 4, 2015).

Tecnodent, Egg & Sting, <http://www.tecnodent.com/nuovo/wp-content/uploads/2014/07/Catalogo-Egg-Sting-ENG-Copia-3.pdf> (downloaded Jun. 4, 2015).

Tecnodent, Ergo Line, <http://www.tecnodent.com/nuovo/wp-content/uploads/2014/07/Catalogo-Ergo-ENG-Copia-21.pdf> (downloaded Jun. 4, 2015).

Tecnodent, Gel Line, <http://www.tecnodent.com/nuovo/wp-content/uploads/2014/07/Catalogo-Pluto-Venus-EN.pdf> (downloaded Jun. 4, 2015).

Valachi, Bethany S., "Operator Stools: How Selection and Adjustment Impact Your Health," <http://www.dentistrytoday.com/ergonomics/1109> (Aug. 31, 2005).

Vitali, Estro, 2 pages (document not dated).

* cited by examiner

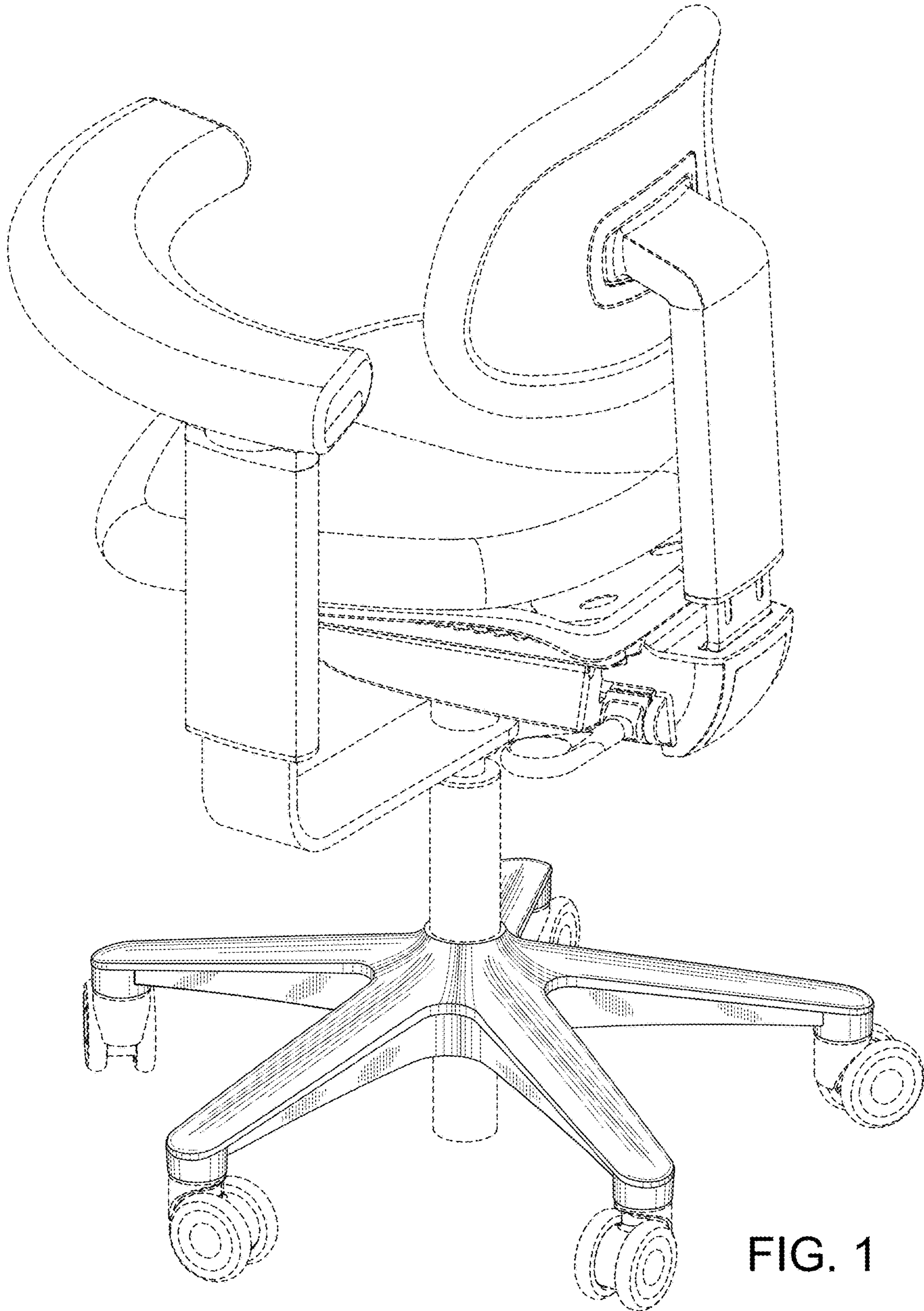


FIG. 1

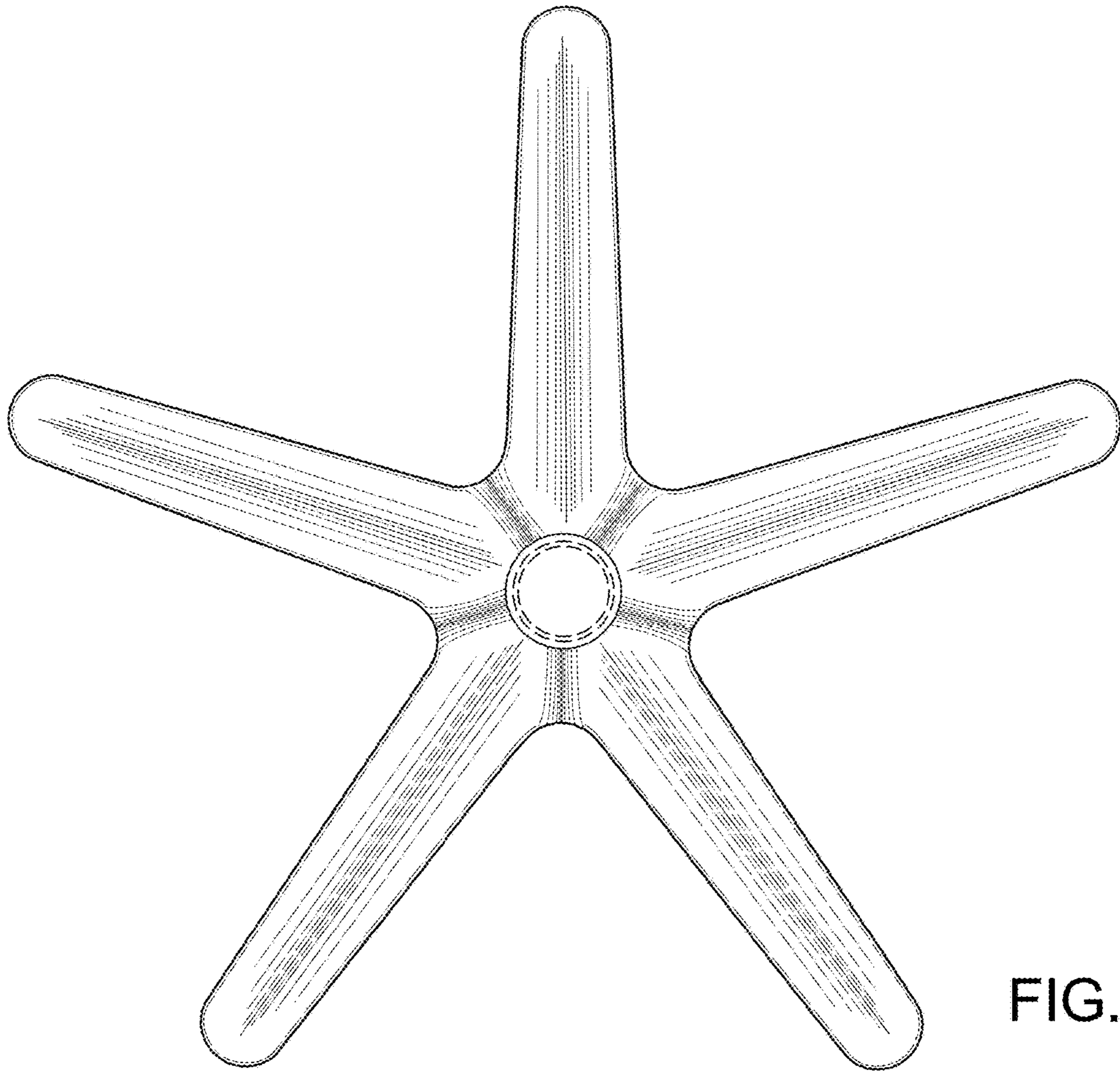


FIG. 2

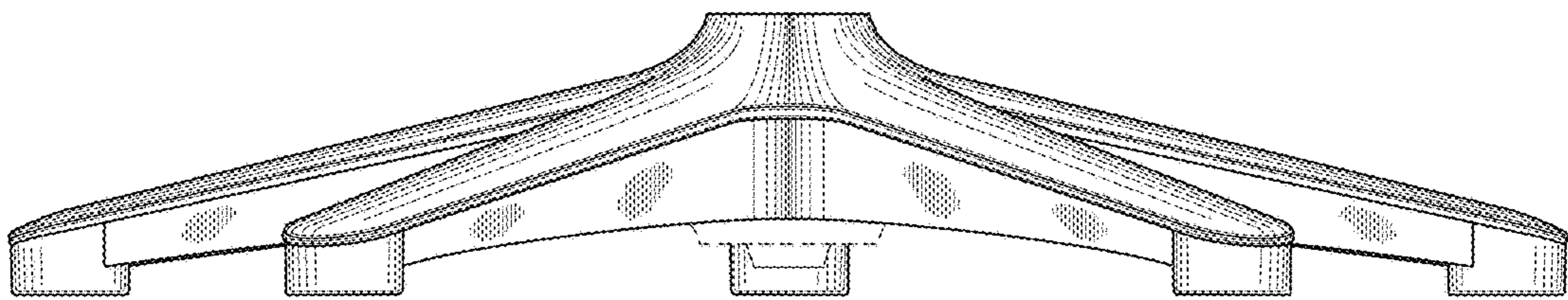


FIG. 3

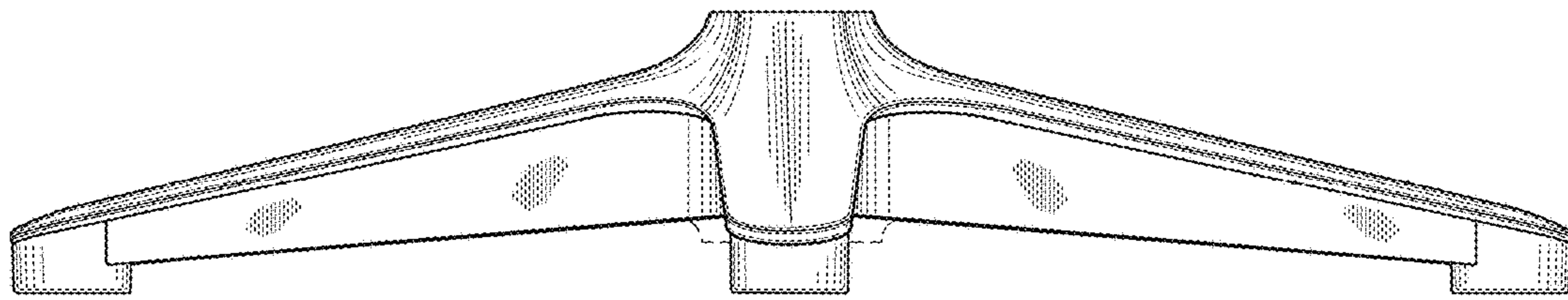


FIG. 4

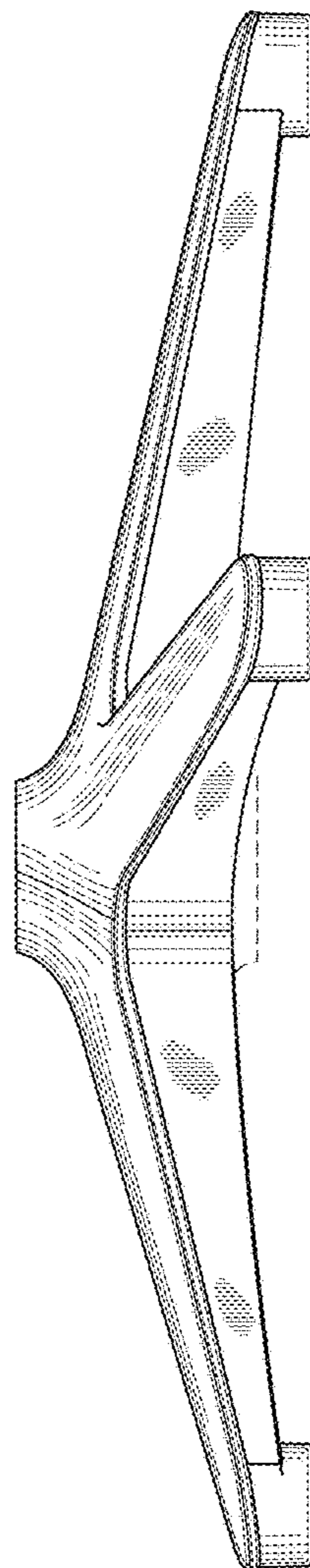


FIG. 5