



US00D783330S

(12) **United States Design Patent**
Hiyoshi et al.

(10) **Patent No.:** **US D783,330 S**

(45) **Date of Patent:** **** *Apr. 11, 2017**

(54) **FURNITURE BASE**

(71) Applicant: **Steelcase Inc.**, Grand Rapids, MI (US)

(72) Inventors: **Yuka Hiyoshi**, Grand Rapids, MI (US);
Mark McKenna, East Grand Rapids,
MI (US); **Joseph Iacovoni**, Caledonia,
MI (US)

(73) Assignee: **Steelcase Inc.**, Grand Rapids, MI (US)

(*) Notice: This patent is subject to a terminal disclaimer.

(**) Term: **15 Years**

(21) Appl. No.: **29/579,130**

(22) Filed: **Sep. 28, 2016**

(51) **LOC (10) Cl.** **06-04**

(52) **U.S. Cl.**

USPC **D6/708**

(58) **Field of Classification Search**

USPC D6/708, 708.16, 691, 691.6, 692, 692.4
CPC A47B 13/00; A47B 13/02; A47B 13/06;
A47B 13/021; A47B 2200/0011; A47B
2200/0016; A47B 7/00

See application file for complete search history.

(56) **References Cited**

U.S. PATENT DOCUMENTS

D278,577 S 4/1985 Gwathmey et al.
D288,880 S * 3/1987 Favaretto D6/691
D299,196 S 1/1989 Frinier
D342,166 S 12/1993 Heidmann
D345,476 S 3/1994 Burdick et al.

D386,331 S * 11/1997 Grosfillex D6/708
D588,845 S * 3/2009 Lovegrove D6/708.16
D588,847 S * 3/2009 Lovegrove D6/708.16
D591,539 S 5/2009 Bracher
D655,952 S 3/2012 McCurry
D659,441 S 5/2012 Arko et al.
D676,683 S 2/2013 Martin et al.
D683,556 S 6/2013 Stromborg
D696,542 S 12/2013 Stromborg
D716,596 S * 11/2014 Pedersen D6/708
D744,268 S * 12/2015 Polidoros D6/708.16
D754,996 S * 5/2016 Pedersen D6/708.16
D764,848 S * 8/2016 Gill D6/708
2012/0000402 A1* 1/2012 Jimenez Mangas ... A47B 13/02
108/159.11

(Continued)

Primary Examiner — Robin V Webster
Assistant Examiner — James Thorn, Sr.

(57) **CLAIM**

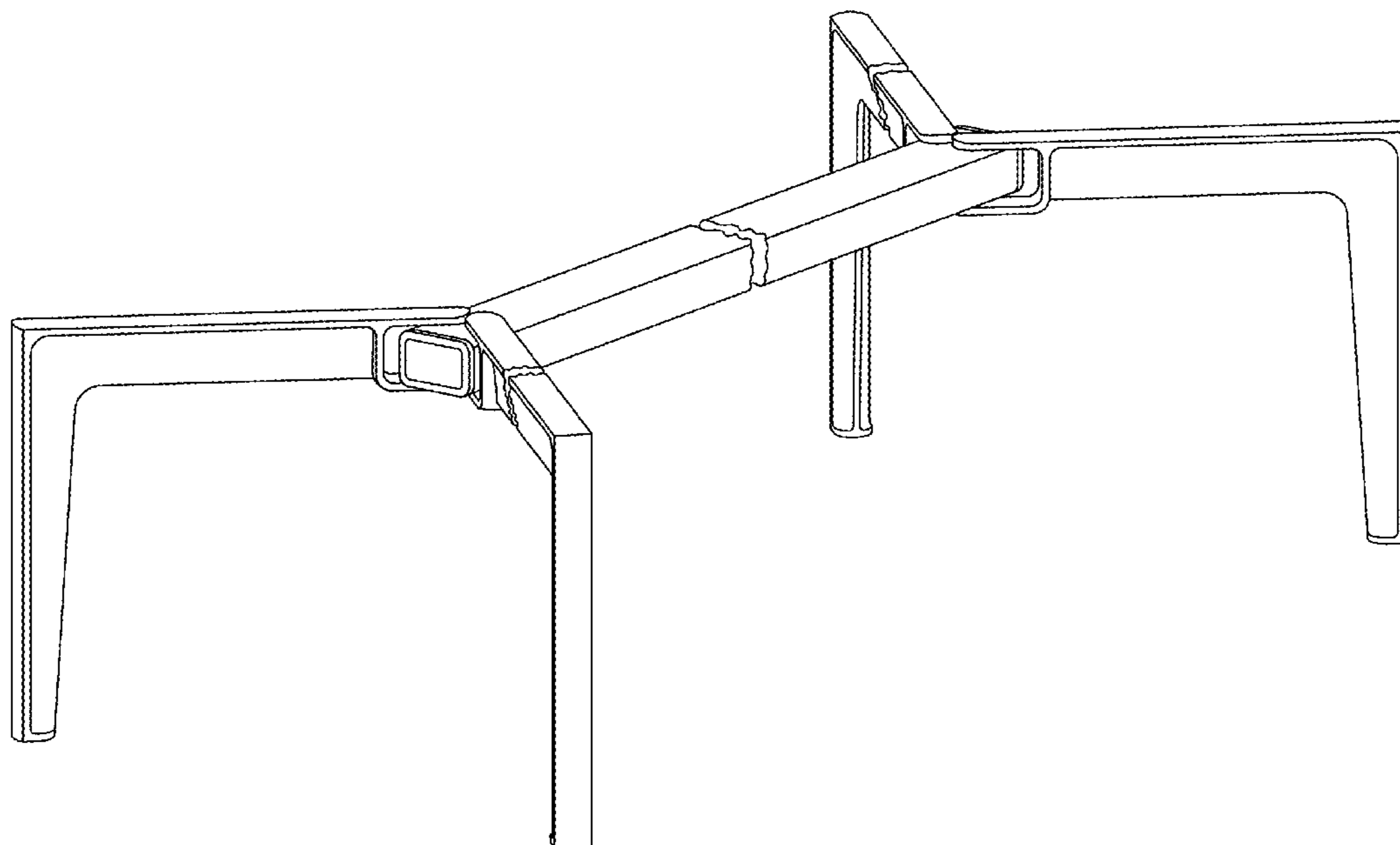
The ornamental design for a furniture base, as illustrated and described.

DESCRIPTION

FIG. 1 is a front perspective view of a furniture base;
FIG. 2 is a bottom perspective view of the furniture base of FIG. 1;
FIG. 3 is a front view of the furniture base of FIG. 1;
FIG. 4 is a rear view of the furniture base of FIG. 1;
FIG. 5 is a left side view of the furniture base of FIG. 1;
FIG. 6 is a right side view of the furniture base of FIG. 1;
FIG. 7 is a top view of the furniture base of FIG. 1; and,
FIG. 8 is a bottom view of the furniture base of FIG. 1.

The dashed and broken lines are for purposes of illustrating environmental structure and form no part of the claimed design.

1 Claim, 8 Drawing Sheets



(56)

References Cited

U.S. PATENT DOCUMENTS

2013/0220188	A1*	8/2013	Wei Siao	A47B 13/02 108/158.11
2015/0083870	A1*	3/2015	Steelman	F16B 12/44 248/121
2015/0282605	A1*	10/2015	Wu	A47B 3/002 248/188.2

* cited by examiner

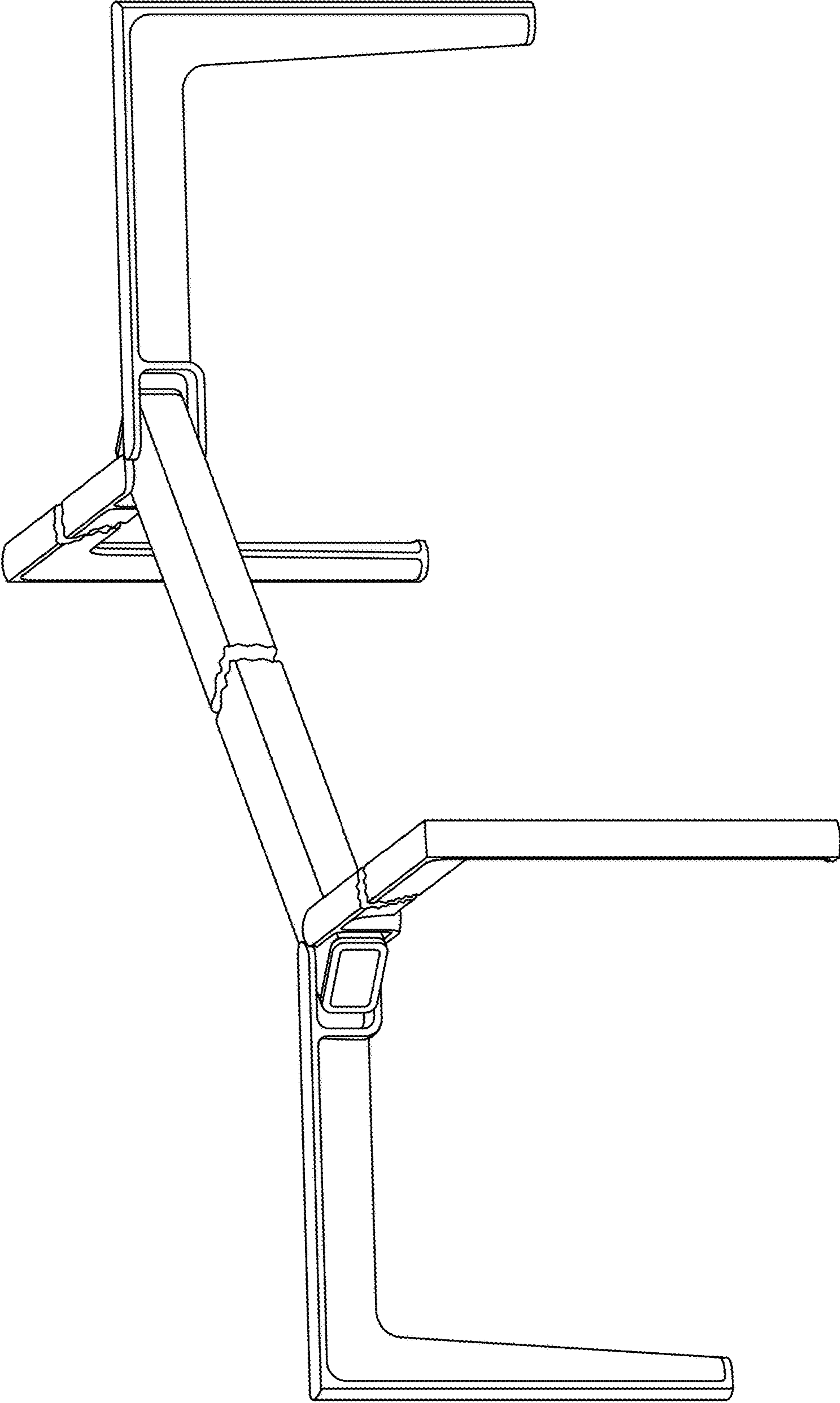


FIG. 1

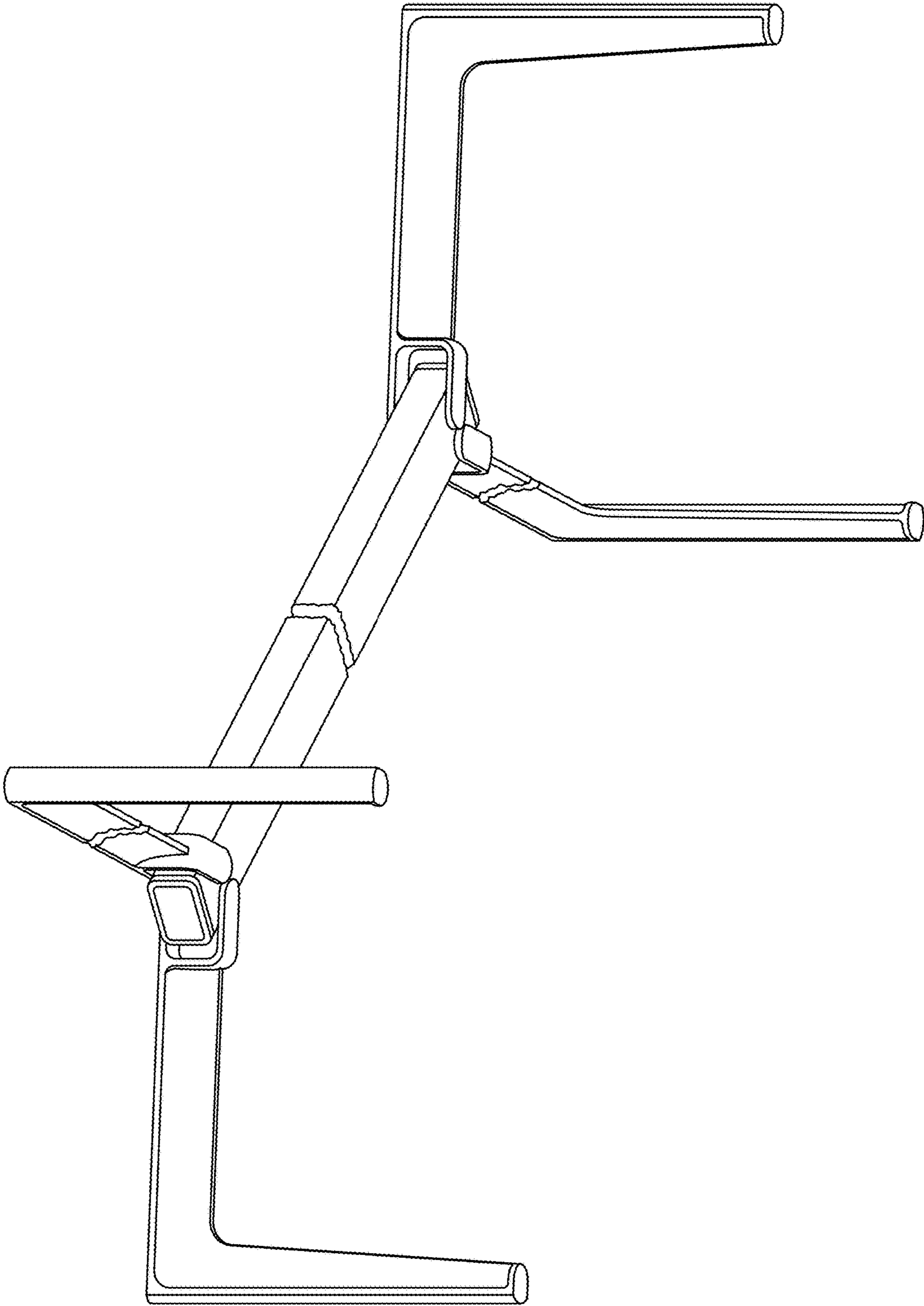


FIG. 2

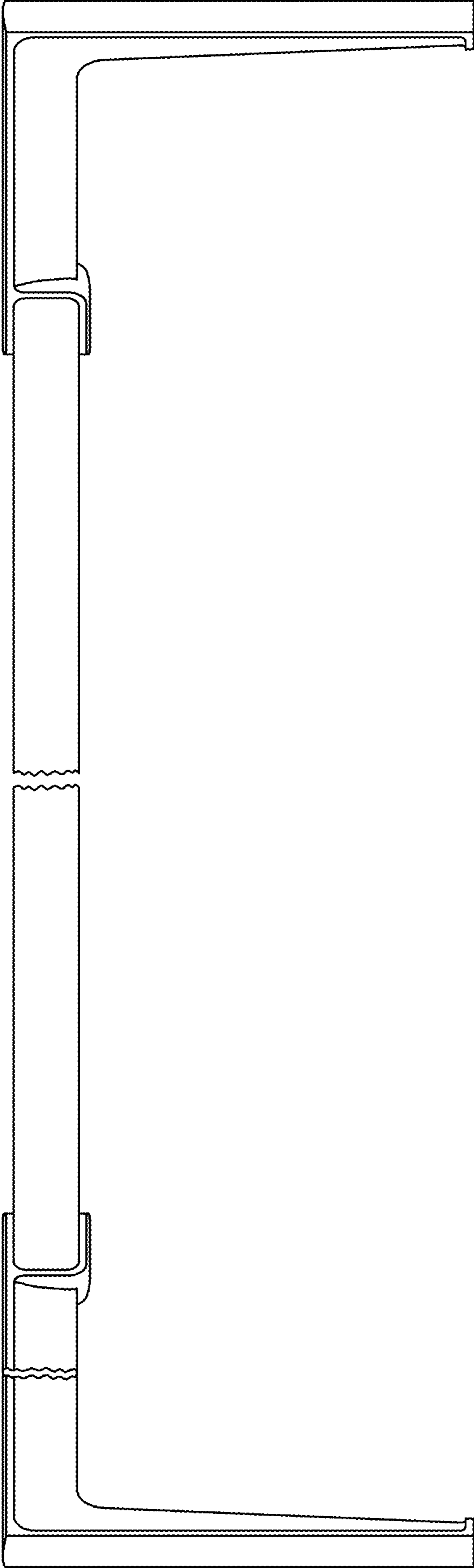


FIG. 3

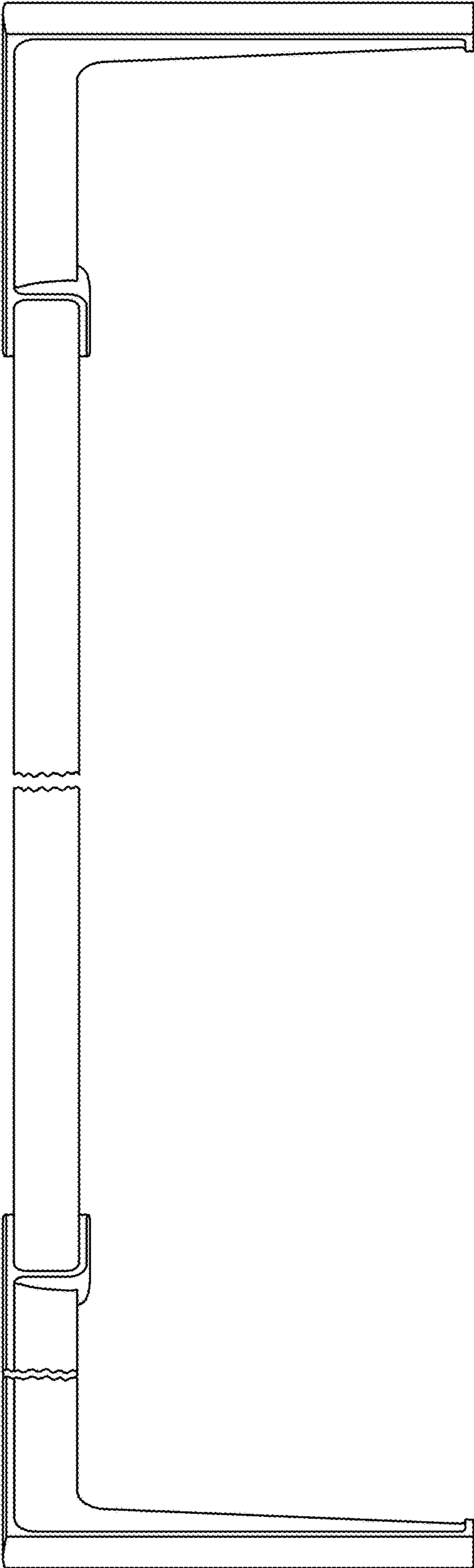


FIG. 4

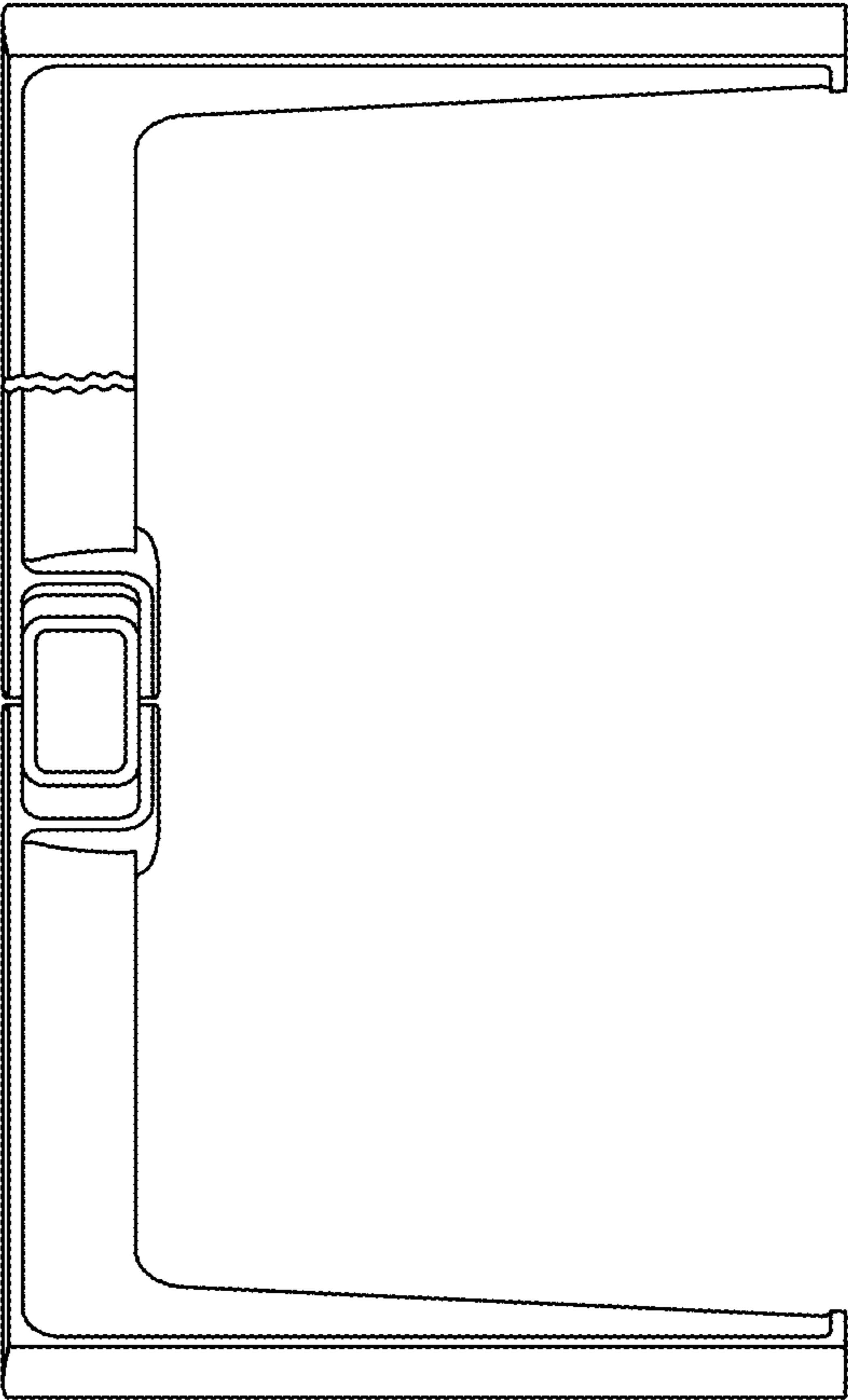


FIG. 5

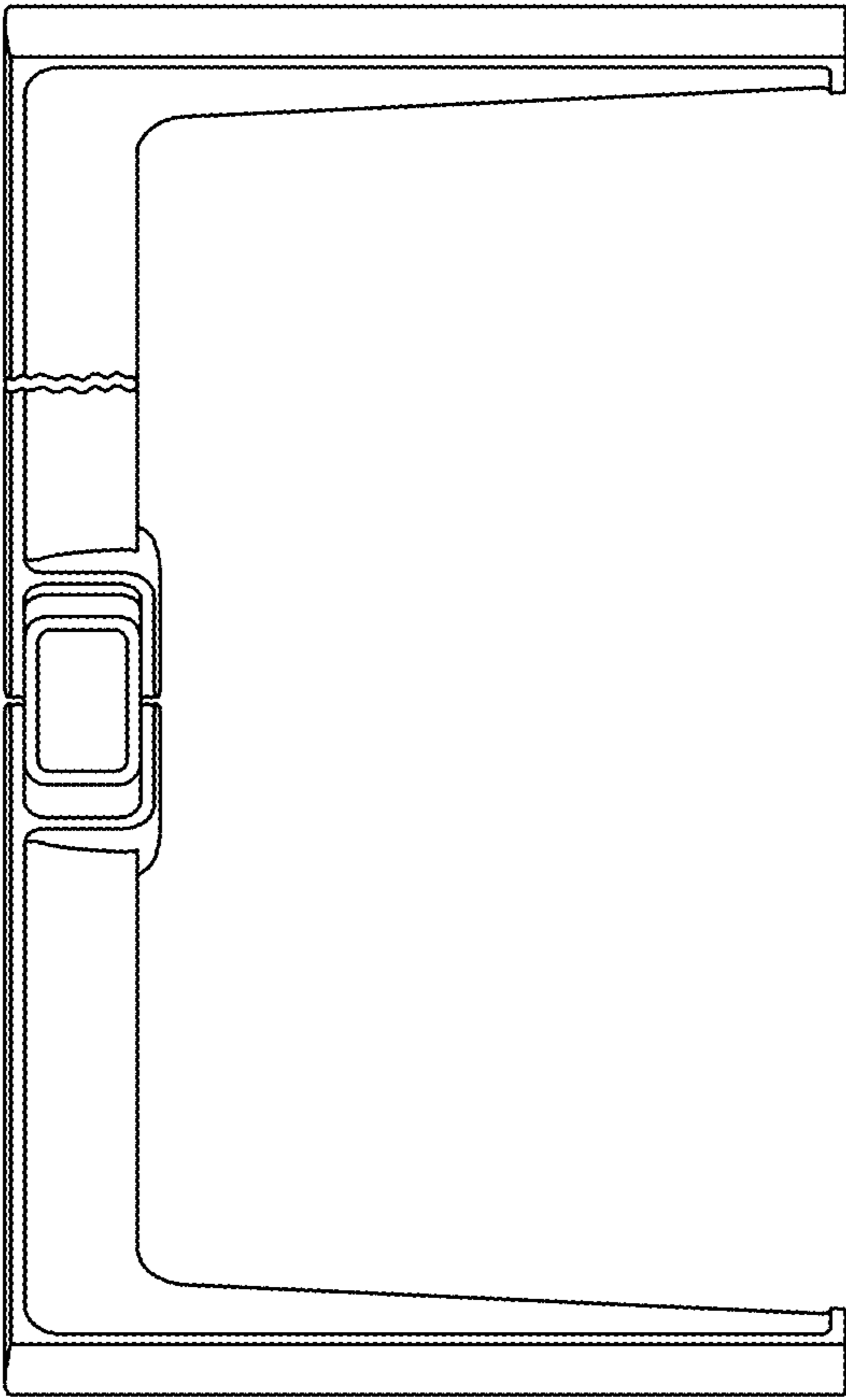


FIG. 6

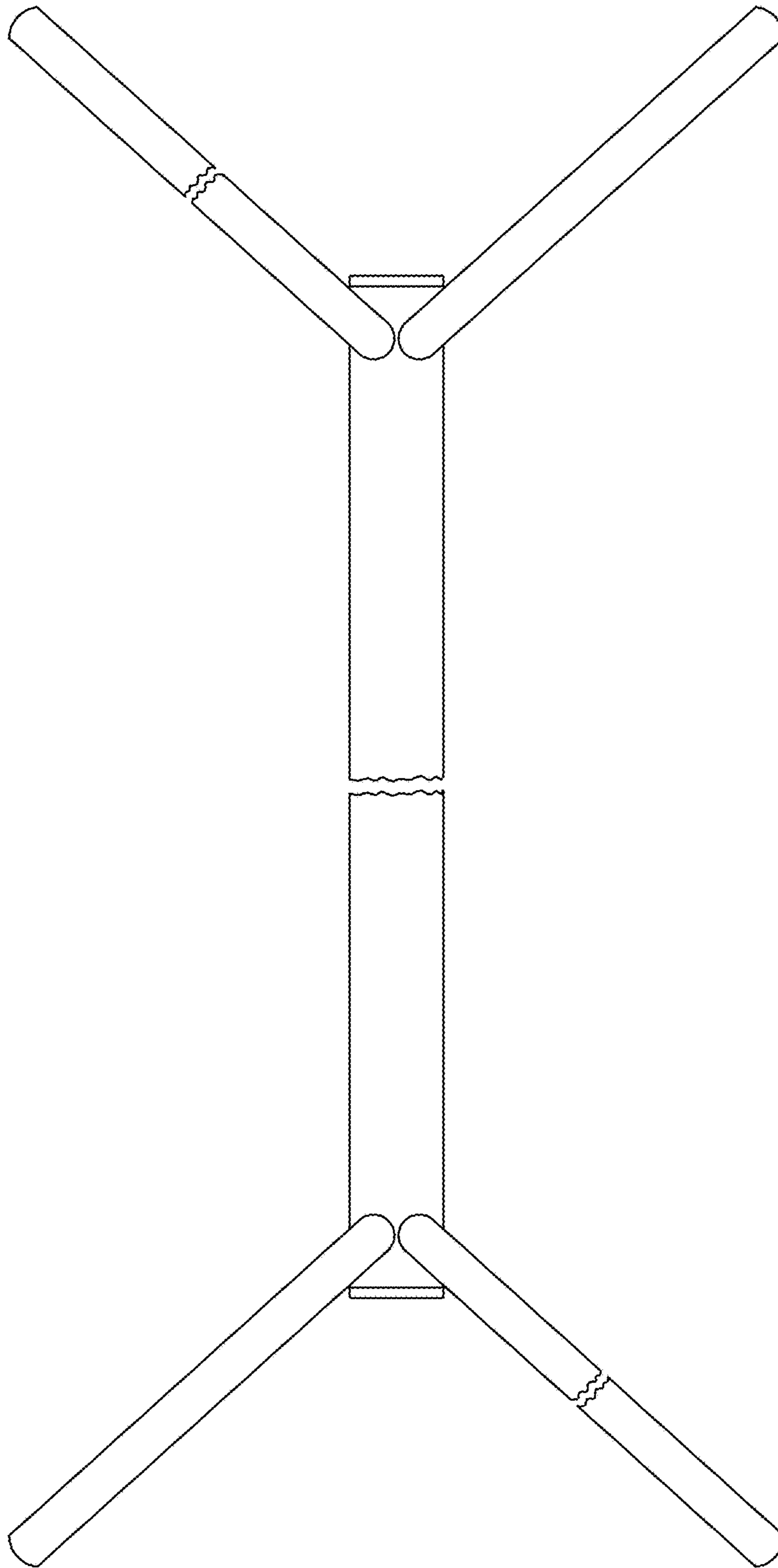


FIG. 7

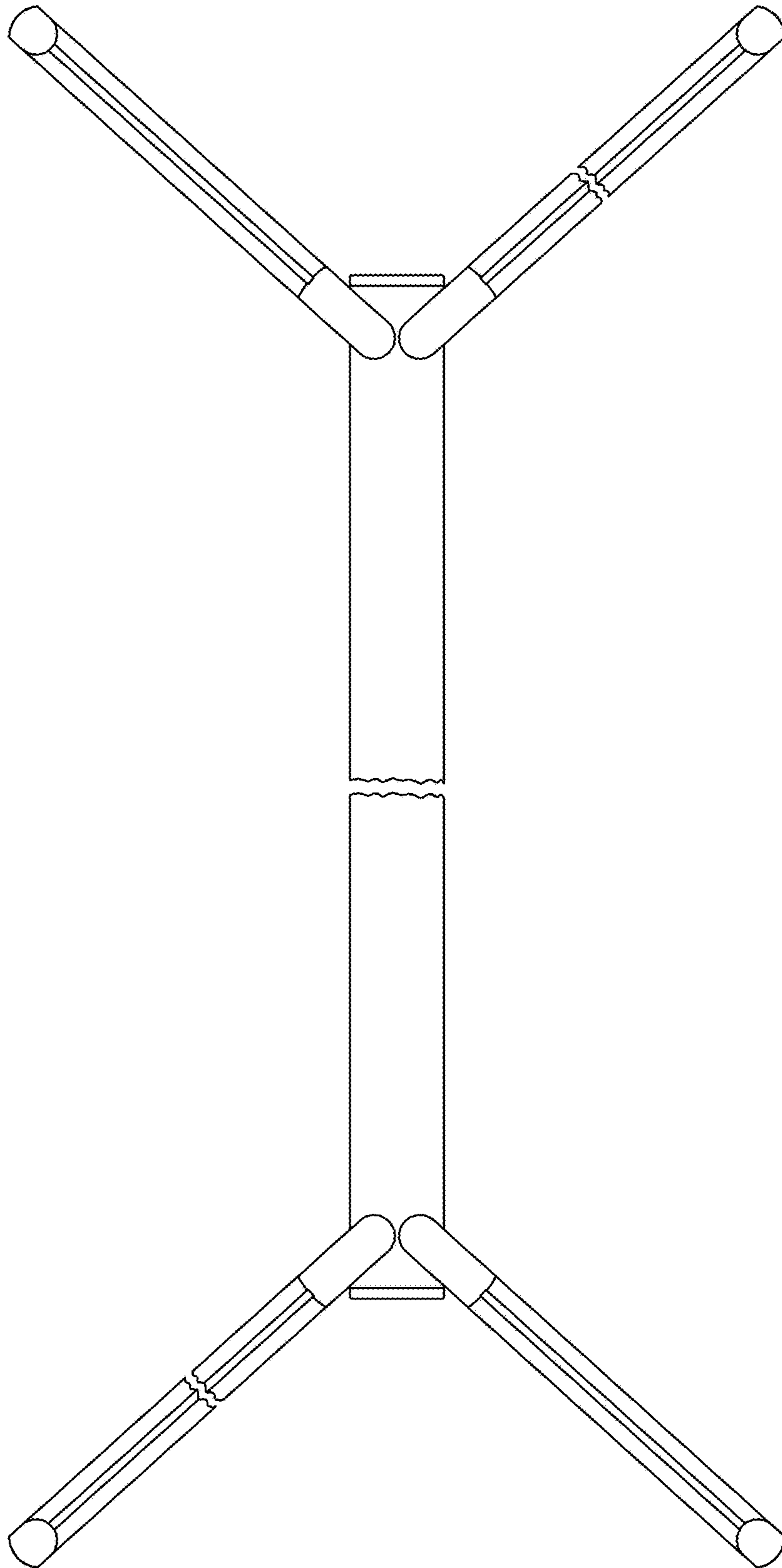


FIG. 8