



US00D783329S

(12) **United States Design Patent**  
**Merritt**

(10) **Patent No.:** **US D783,329 S**  
(45) **Date of Patent:** **\*\* Apr. 11, 2017**

(54) **TABLE BASE**

81/3813; B65D 21/00; B65D 5/545;  
B65D 5/26; B65D 5/0015; B65D 5/0045

(71) Applicant: **Liberty Procurement Co. Inc.**, Union,  
NJ (US)

See application file for complete search history.

(72) Inventor: **John Merritt**, Brooklyn, NY (US)

(56) **References Cited**

(73) Assignee: **Liberty Procurement Co. Inc.**, Union,  
NJ (US)

U.S. PATENT DOCUMENTS

(\*\*) Term: **15 Years**

D33,437 S \* 10/1900 Good ..... D6/708  
1,351,013 A \* 8/1920 Stine ..... A47B 3/14  
211/195

(21) Appl. No.: **29/527,682**

(Continued)

(22) Filed: **May 21, 2015**

OTHER PUBLICATIONS

(51) **LOC (10) Cl.** ..... **06-06**

“Ibi’s Table Base for Glass Top Dining Table” Feb. 1, 2014, Custom  
Made, site visited Sep. 16, 2016 <[https://www.custommade.com/  
table-base-for-glass-top-dining-table/by/jonathan/](https://www.custommade.com/table-base-for-glass-top-dining-table/by/jonathan/)>.\*

(52) **U.S. Cl.**

(Continued)

USPC ..... **D6/708**

(58) **Field of Classification Search**

USPC ..... D6/334–336, 349, 351, 352, 358, 360,  
D6/364, 365, 366, 374, 375, 379, 380,  
D6/657, 662.1, 672, 674, 675, 675.1,  
D6/675.3, 683, 683.1, 685, 691, 691.5,  
D6/702, 708, 708.2, 708.21, 708.25, 716,  
D6/716.1–716.4; D3/304, 307, 309;  
D7/550.1, 554.3

*Primary Examiner* — Kevin Rudzinski  
*Assistant Examiner* — Paul Bohannon  
(74) *Attorney, Agent, or Firm* — Lerner, David,  
Littenberg, Krumholz & Mentlik, LLP

CPC ..... A47B 7/00; A47B 2200/001; A47B  
2200/002; A47B 2200/0011–2200/0014;  
A47B 2200/0021–2200/0023; A47B  
2200/0026; A47B 2200/0027; A47B  
2200/0039; A47B 13/02; A47B  
13/021–13/028; A47B 2009/006; A47B  
57/402; A47B 67/00; A47B 87/0207;  
A47B 96/00; A47B 96/02; A47B 43/00;  
A47B 63/00; A47C 1/04; A47C 1/03255;  
A47C 1/0255; A47C 3/00; A47C 3/18;  
A47C 3/026; A47C 4/02; A47C 4/028;  
A47C 4/54; A47C 7/00; A47C 7/002;  
A47C 7/004; A47C 7/006; A47C 7/18;  
A47C 7/022; A47C 7/24; A47C 7/50;  
A47C 9/002; A47C 9/007; A47D 7/00;  
A47F 1/00; A47F 3/00; A47F 3/06; A47F  
3/14; A47F 7/00; B65D 1/34; B65D

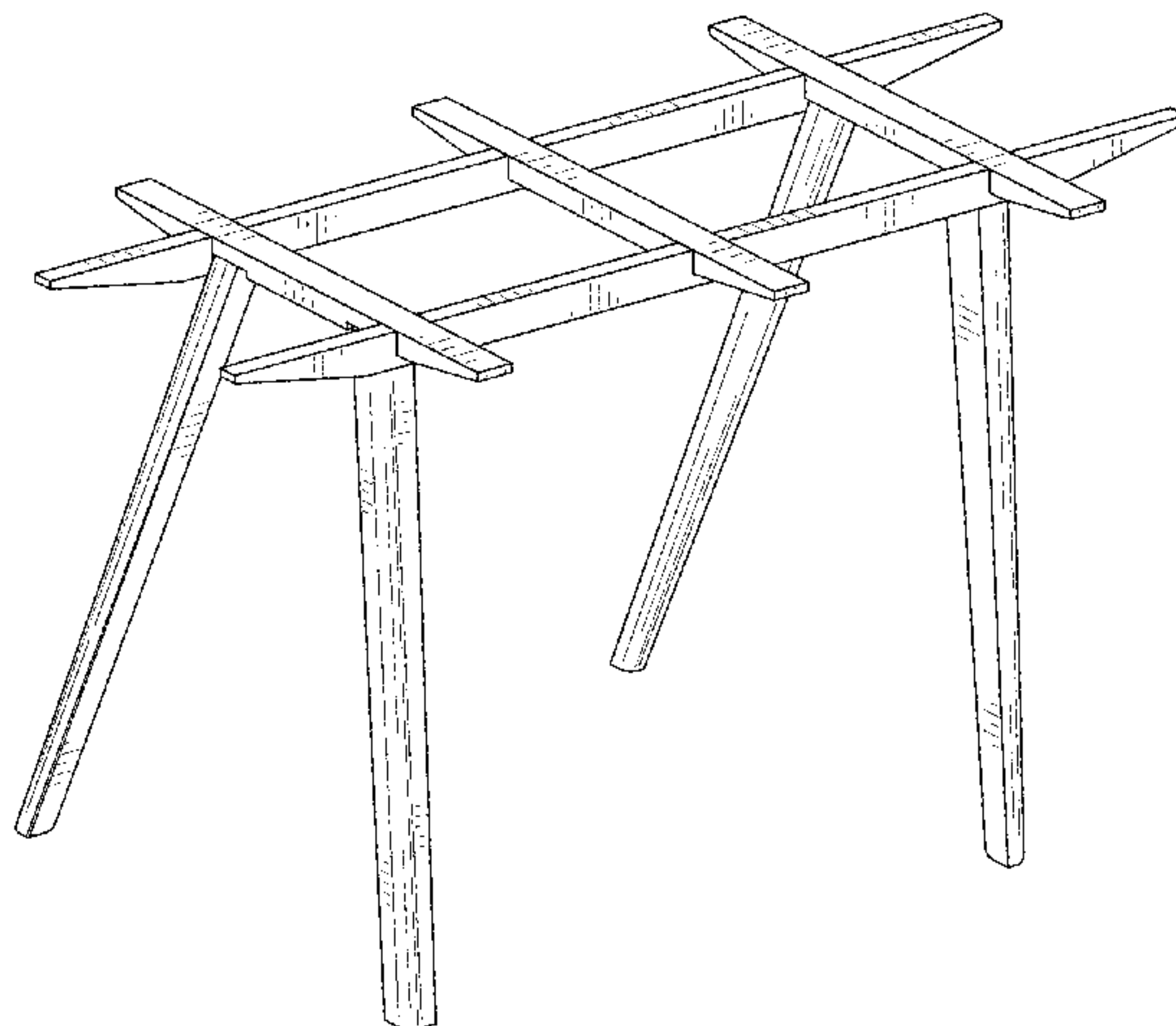
(57) **CLAIM**

The ornamental design for a table base, as shown and  
described.

**DESCRIPTION**

FIG. 1 is a perspective view of a table base;  
FIG. 2 is a right-side elevation view thereof;  
FIG. 3 is a left-side elevation view thereof;  
FIG. 4 is a front elevation view thereof;  
FIG. 5 is a back elevation view thereof;  
FIG. 6 is a top plan view thereof; and,  
FIG. 7 is a bottom plan view thereof.  
The broken lines shown in the drawings are for the purpose  
of illustrating environmental structure and form no part of  
the claimed design.

**1 Claim, 6 Drawing Sheets**



(56)

**References Cited**

U.S. PATENT DOCUMENTS

2,257,550 A \* 9/1941 Gay ..... A47B 3/14  
297/158.4  
2,843,437 A \* 7/1958 Dorsey ..... A47B 9/18  
108/19  
RE30,689 E \* 7/1981 Gray ..... B23D 57/0092  
144/286.1  
4,789,122 A \* 12/1988 Gutsell ..... A47B 13/023  
108/150  
D367,193 S \* 2/1996 Dame ..... D6/708  
D386,328 S \* 11/1997 Good ..... D6/691.7  
D396,974 S \* 8/1998 D'Urbino ..... D6/691  
6,182,578 B1 \* 2/2001 Fanuzzi ..... A47B 3/0912  
108/132  
6,908,373 B1 \* 6/2005 Ohman ..... B26D 7/12  
451/160  
7,147,083 B1 \* 12/2006 Colgrove ..... B25H 1/06  
182/153  
D585,218 S \* 1/2009 Hamilton ..... D6/656  
9,038,549 B1 \* 5/2015 Zebarjad ..... A47B 9/02  
108/147  
D751,328 S \* 3/2016 Zdanius ..... D6/708  
D764,848 S \* 8/2016 Gill ..... D6/708  
2002/0108481 A1 \* 8/2002 Logan ..... B23D 47/025  
83/471.3

2003/0172853 A1 \* 9/2003 Stathis ..... A47B 3/08  
108/115  
2004/0221882 A1 \* 11/2004 Watson ..... A45B 3/00  
135/16  
2004/0222042 A1 \* 11/2004 van der Pol ..... B25H 1/06  
182/153  
2005/0174725 A1 \* 8/2005 Hodara ..... A47B 21/00  
370/352  
2006/0162626 A1 \* 7/2006 Brauning ..... A47B 1/08  
108/143  
2012/0000402 A1 \* 1/2012 Jimenez Mangas ... A47B 13/02  
108/159.11  
2013/0193283 A1 \* 8/2013 Miller ..... B25H 1/04  
248/127  
2015/0150370 A1 \* 6/2015 Korb ..... A47B 13/06  
108/155

OTHER PUBLICATIONS

Hovey, Jimmy, "The Story Behind A Big Reclaimed Wood Table, The Big Berkeley" Jul. 11, 2014, The Reclaimed Wood Guy Blog, site visited Nov. 7, 2016 <<http://www.reclaimedwoodinc.com/reclaimed-wood-guy-blog/bid/391321/Reclaimed-Wood-Table-The-Story-Behind-Building-BIG-Berkeley>>.\*

\* cited by examiner

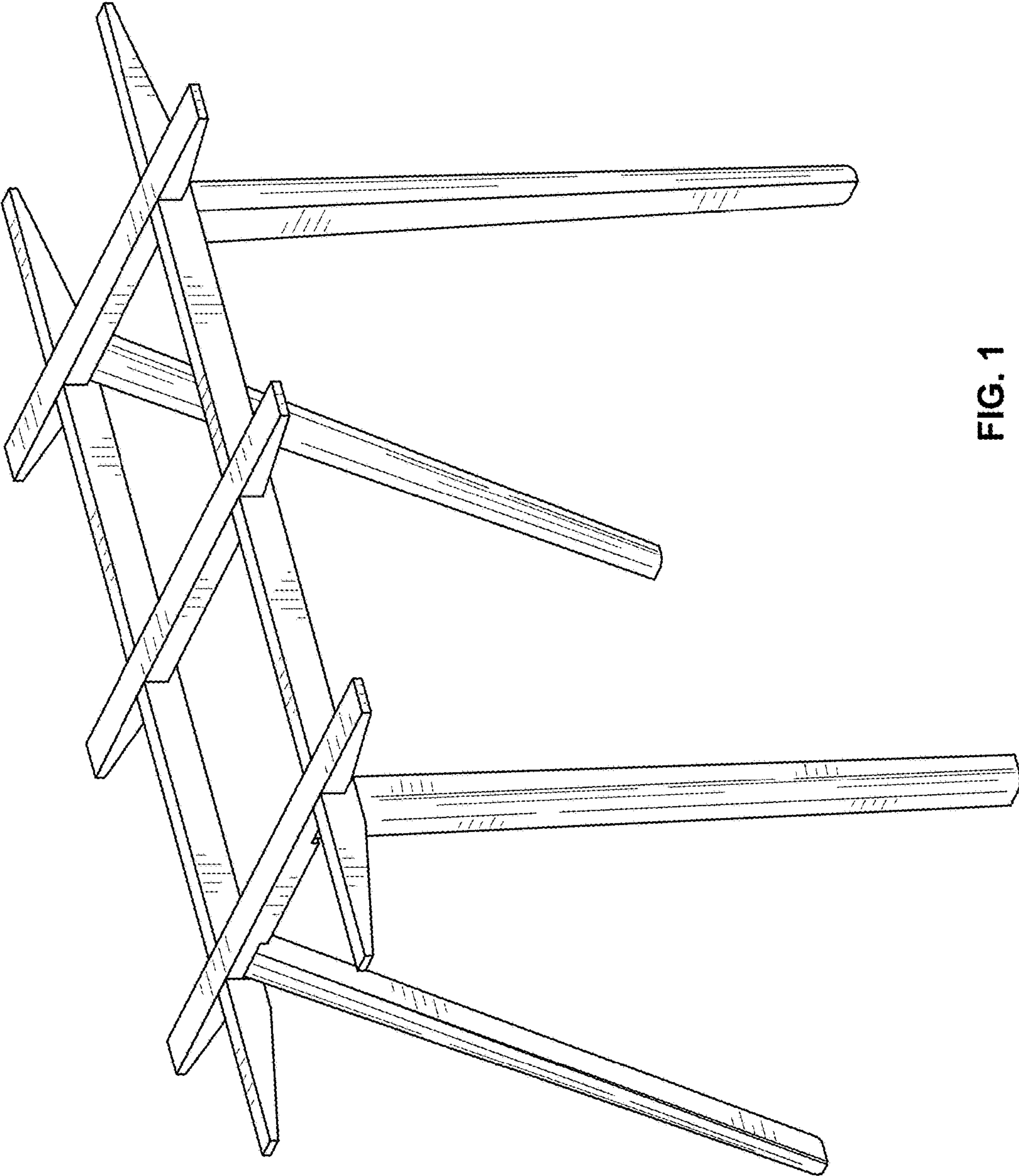


FIG. 1

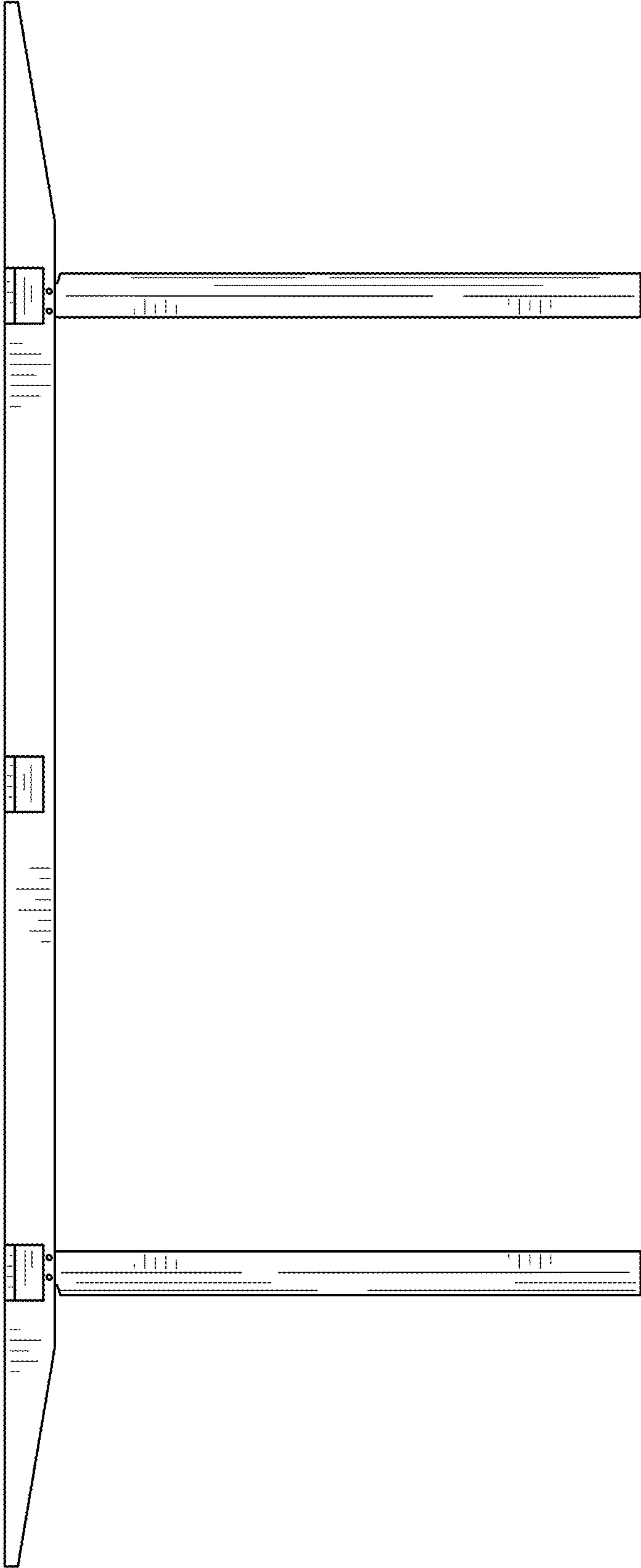


FIG. 2

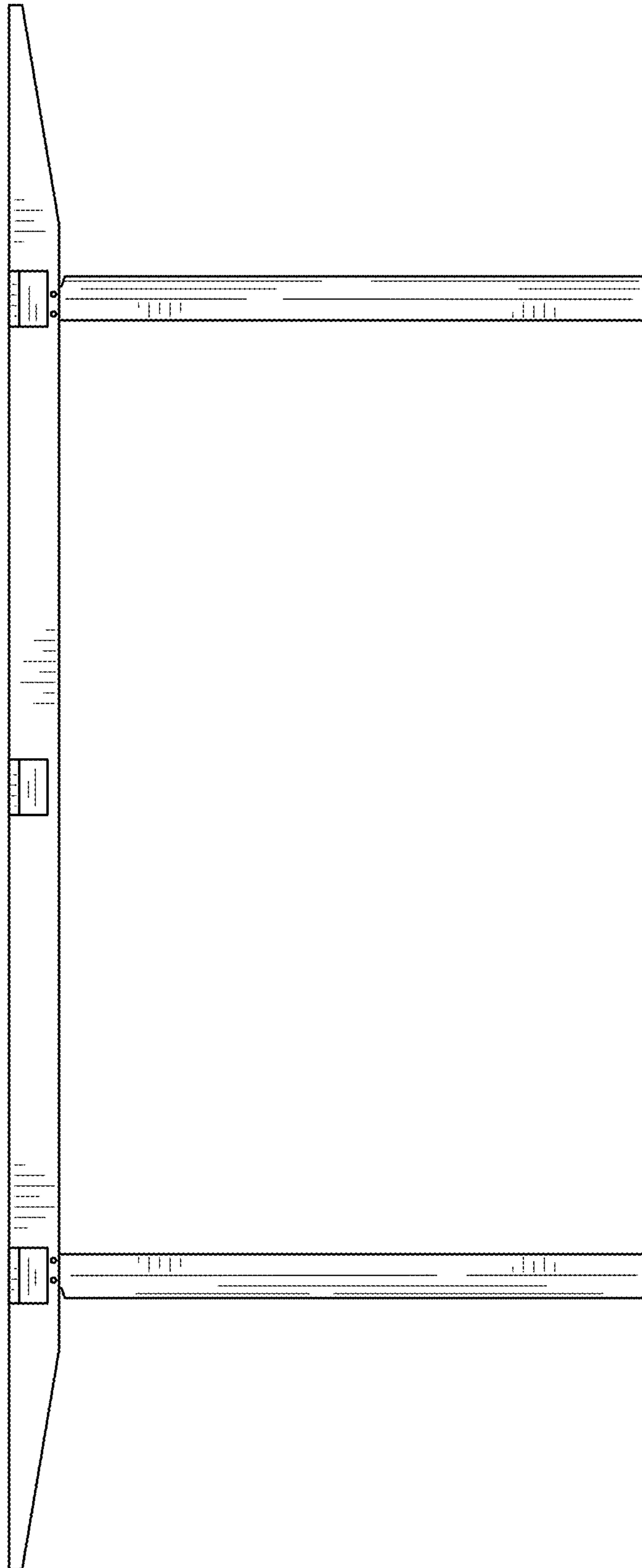


FIG. 3



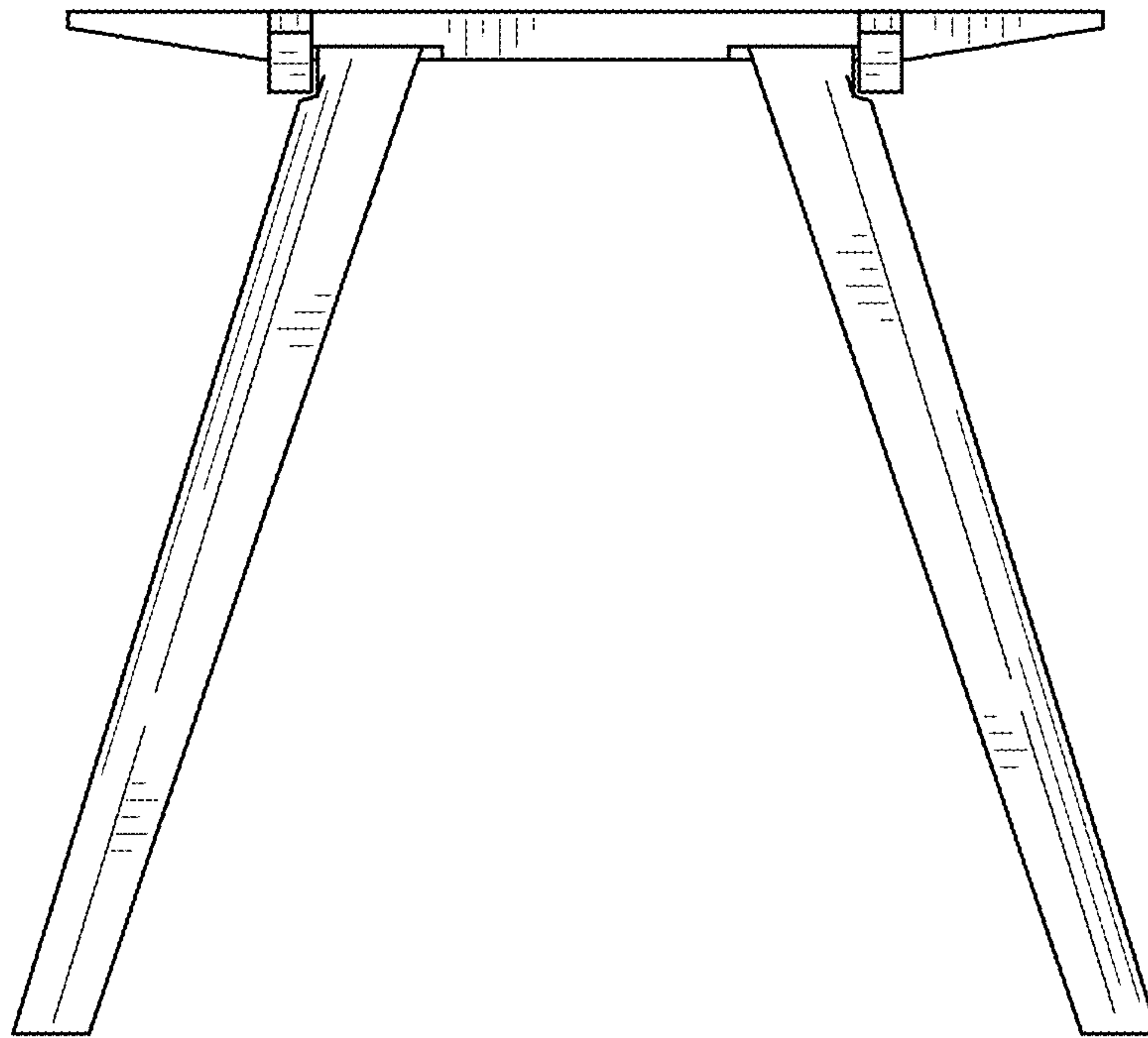


FIG. 4

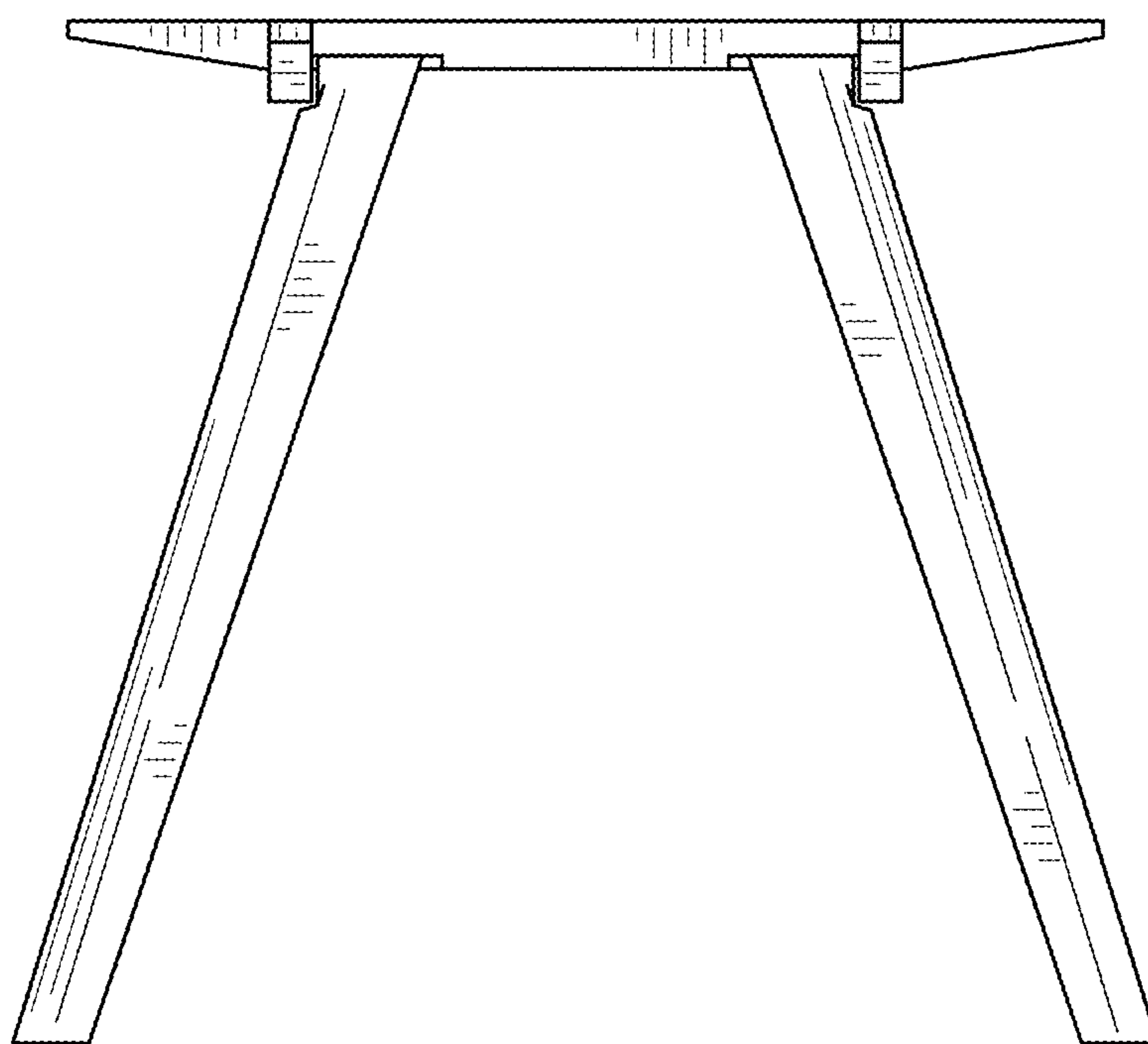


FIG. 5

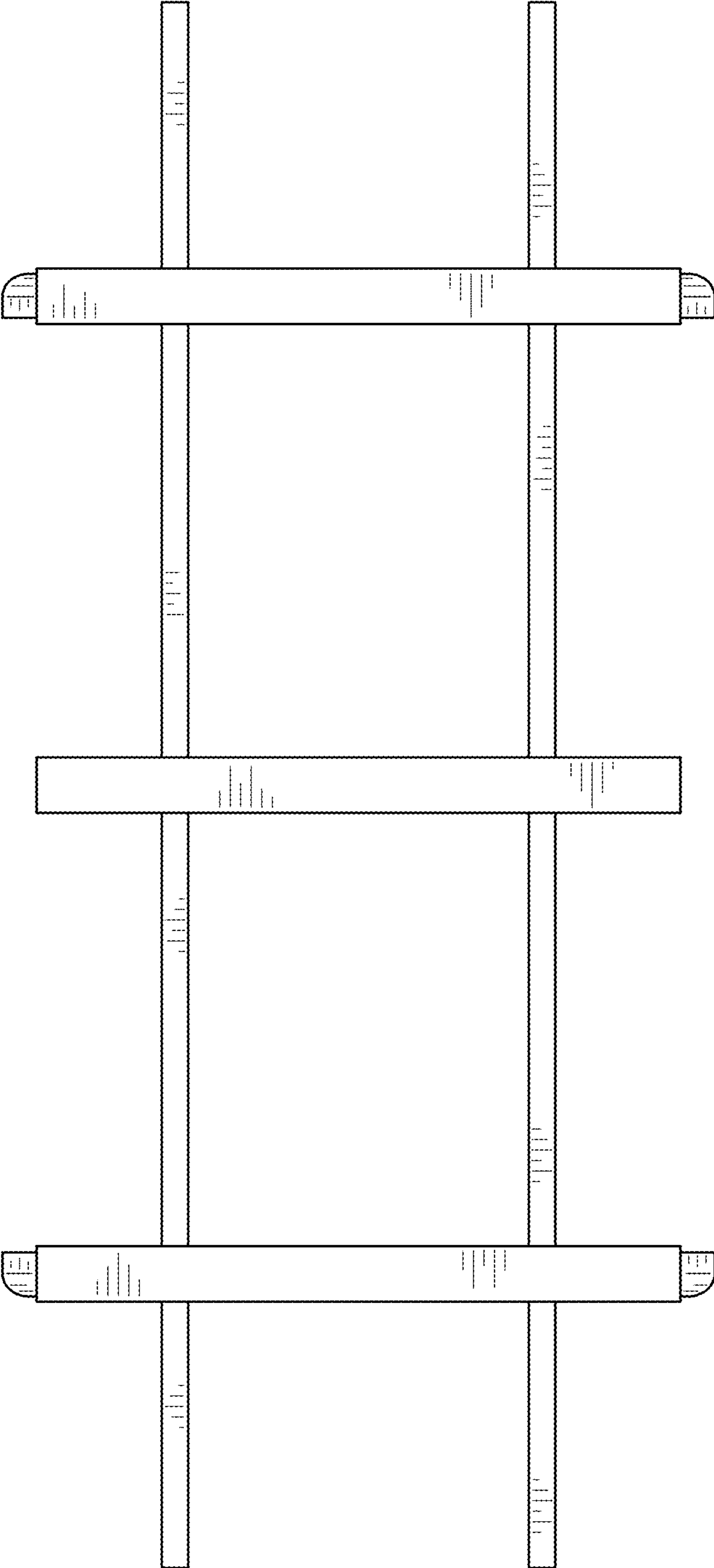


FIG. 6

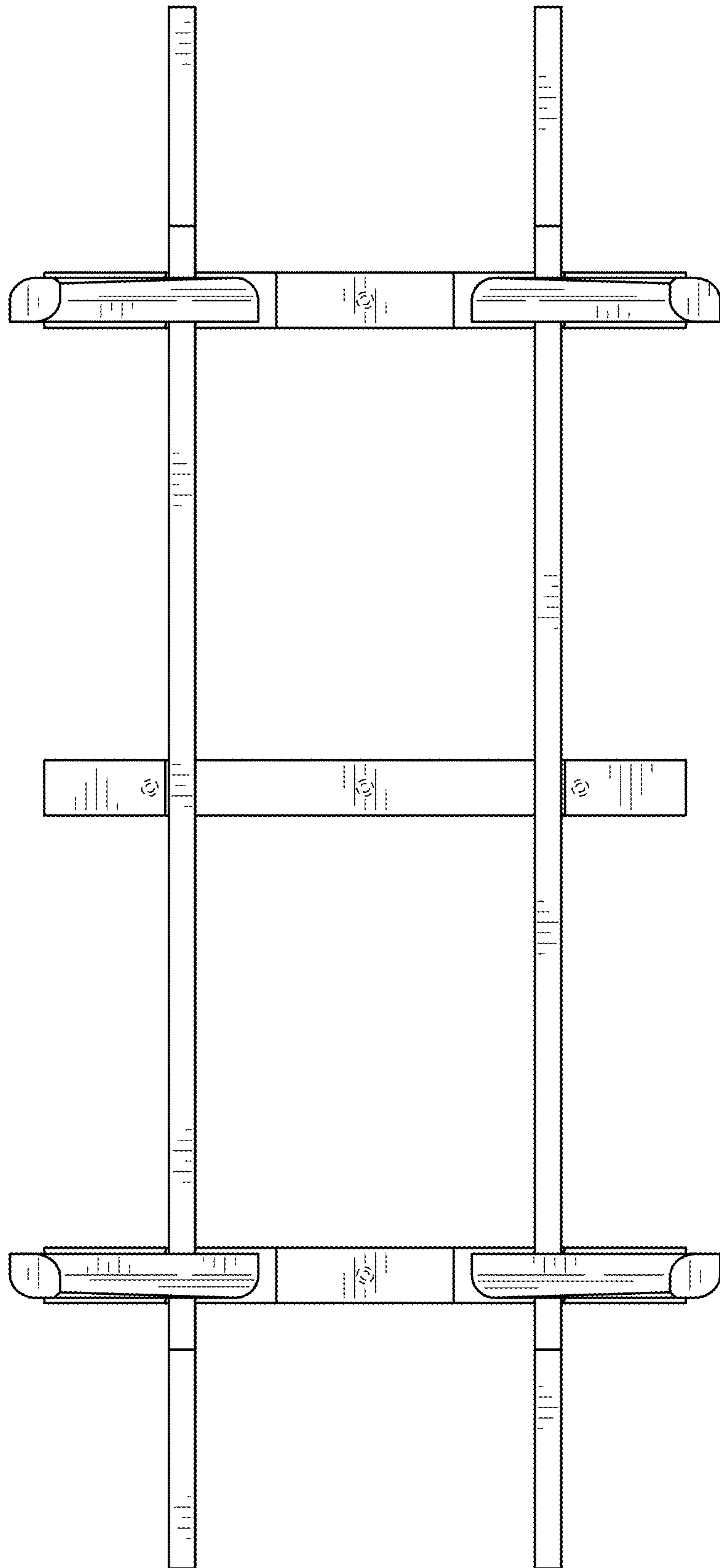


FIG. 7