



US00D783325S

(12) **United States Design Patent** (10) **Patent No.:** **US D783,325 S**
Isshac (45) **Date of Patent:** **** Apr. 11, 2017**

(54) **TABLE FOR USE WITH ELECTRONIC DEVICES**

2,758,900 A * 8/1956 Marchand A45C 15/06
 312/223.5
 3,111,275 A * 11/1963 Pfisterer A45D 42/10
 362/136
 3,684,344 A * 8/1972 Gilinger A47B 49/002
 312/204

(71) Applicant: **Allec A. Isshac**, Westchester, IL (US)

(72) Inventor: **Allec A. Isshac**, Westchester, IL (US)

(Continued)

(**) Term: **15 Years**

OTHER PUBLICATIONS

(21) Appl. No.: **35/001,017**

Casual Home, "Modem Folding Desk with 4 USB Ports," product listing downloaded from Internet at Amazon.com on May 8, 2015, 5 pp.

(22) Filed: **May 29, 2015**

(Continued)

(80) **Hague Agreement Data**

Int. Filing Date: **May 29, 2015**

Int. Reg. No.: **DM/087653**

Int. Reg. Date: **May 29, 2015**

Int. Reg. Pub. Date: **Dec. 4, 2015**

Primary Examiner — Richard E Chilcot

(74) *Attorney, Agent, or Firm* — Leydig, Voit & Mayer, Ltd.

(51) **LOC (10) Cl.** **06-03**

(52) **U.S. Cl.**

CPC **A47B 3/00** (2013.01)

USPC **D6/692**; D6/642; D6/655; D6/691.9

(58) **Field of Classification Search**

USPC D6/642, 691, 655, 691.8, 691.9, 655.18, D6/655.21, 656, 692; 108/35–38, 108/115–128; 312/241–244

CPC A47B 3/00; A47B 2200/0081; A47B 2021/064; A47B 2021/066; A47B 2021/068; A47B 41/00; A47B 21/00; A47B 17/00; A47B 17/003; A47B 17/006

See application file for complete search history.

(57) **CLAIM**

The ornamental design for a table for use with electronic devices, as shown and described.

DESCRIPTION

Figure 2.1 is an elevation view of the Utility Table.

Figure 2.2 is a side view thereof.

Figure 2.3 is an elevation view of the pedestal of the Utility Table.

Figure 2.4 is a side view of the pedestal of the Utility Table.

Figure 2.5 is a front view of the pedestal of the Utility Table.

Figure 2.6 is a top view of the pedestal of the Utility Table.

Figure 2.7 is another top view of the pedestal of the Utility Table.

Figure 2.8 is another front view of the pedestal of the Utility Table.

Figure 2.9 is a bottom view of the pedestal of the Utility Table.

Figure 2.10 is an exploded view of the top and pedestal of the Utility Table.

Figure 2.11 is another side view of the Utility Table.

Figure 2.12 is a front view of the Utility Table.

Table with folding legs for use with electronic devices and table with stand for use with electronic devices; the dashed

(Continued)

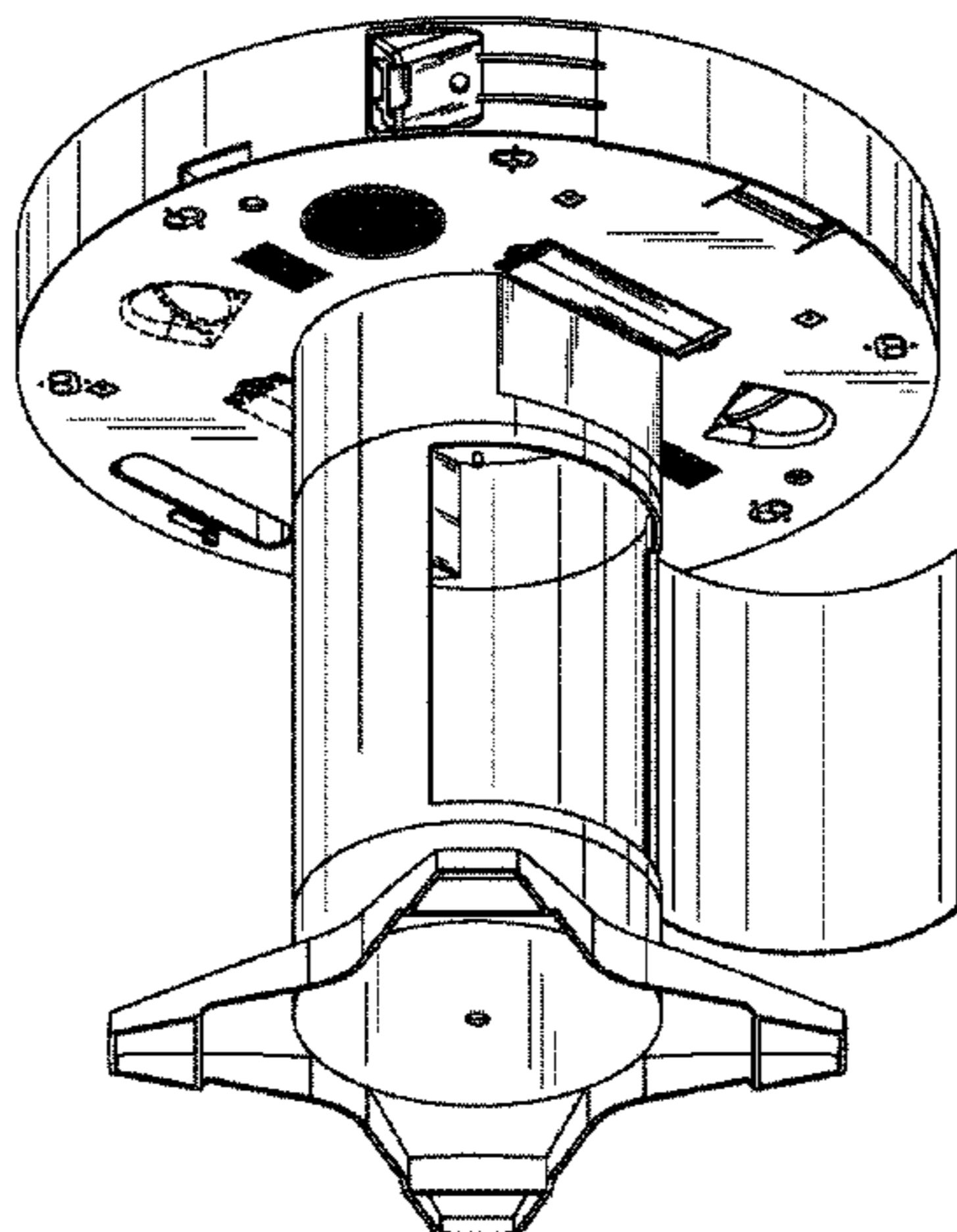
(56) **References Cited**

U.S. PATENT DOCUMENTS

1,158,212 A * 10/1915 Henderson A47C 4/10
108/115

D103,250 S * 2/1937 Parrish D6/655

2,174,613 A 10/1939 Blaschke



lines shown in the reproductions are included for the purpose of illustrating environmental structure and form no part of the claimed designs.

1 Claim, 12 Drawing Sheets

(56)

References Cited

U.S. PATENT DOCUMENTS

D242,102 S * 11/1976 Stirling D6/656.16
 4,094,256 A 6/1978 Holper et al.
 D268,042 S * 2/1983 Appel D21/532
 4,564,886 A * 1/1986 Morcheles G09F 13/04
 108/23
 4,629,264 A * 12/1986 Culver A47B 67/005
 312/223.5
 4,662,591 A 5/1987 Encontre
 4,792,881 A * 12/1988 Wilson A47B 21/06
 312/223.6
 6,041,723 A * 3/2000 Peterson A47B 3/00
 108/115
 D424,325 S * 5/2000 Iannaccone D6/655
 D441,207 S * 5/2001 Williams D6/358
 6,322,228 B1 * 11/2001 Feldman F21S 6/002
 362/249.13
 7,097,326 B1 * 8/2006 Pipolo F21V 33/00
 362/132
 D538,061 S 3/2007 Daniel

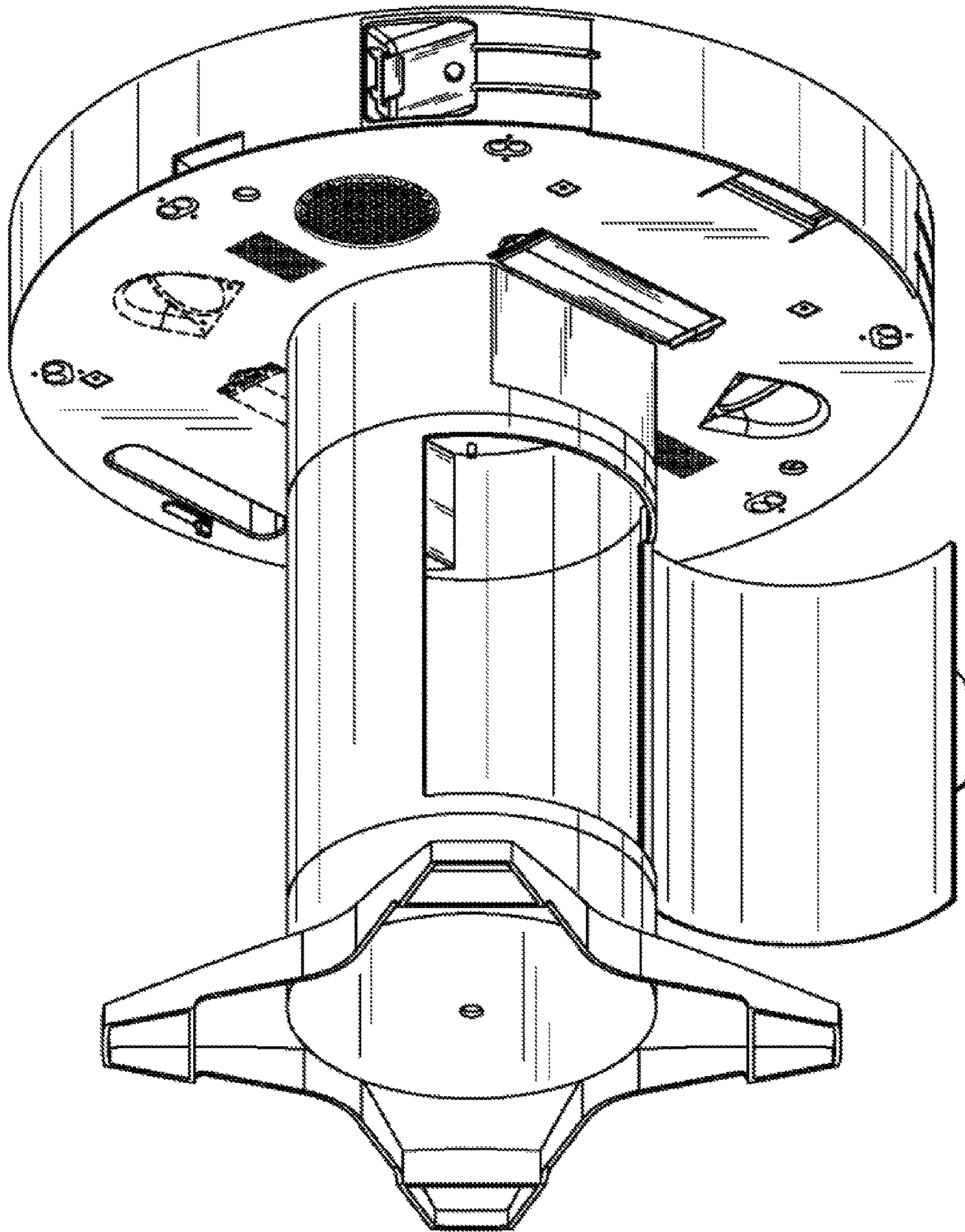
D540,485 S * 4/2007 Waedeled D26/70
 D546,062 S * 7/2007 Tate D3/271.8
 8,051,783 B1 * 11/2011 Hoskinson A47B 37/00
 108/23
 8,418,385 B2 * 4/2013 Olson G09F 7/08
 40/564
 D757,464 S * 5/2016 Chiang D6/642
 2008/0061662 A1 * 3/2008 Lin A47B 21/03
 312/223.3
 2010/0146307 A1 6/2010 Griffin, Jr. et al.
 2011/0048288 A1 3/2011 Sheldon
 2012/0249054 A1 10/2012 King et al.
 2013/0186306 A1 7/2013 Thornley
 2013/0249481 A1 9/2013 Jacobs et al.
 2014/0002004 A1 1/2014 Farris-Gilbert et al.

OTHER PUBLICATIONS

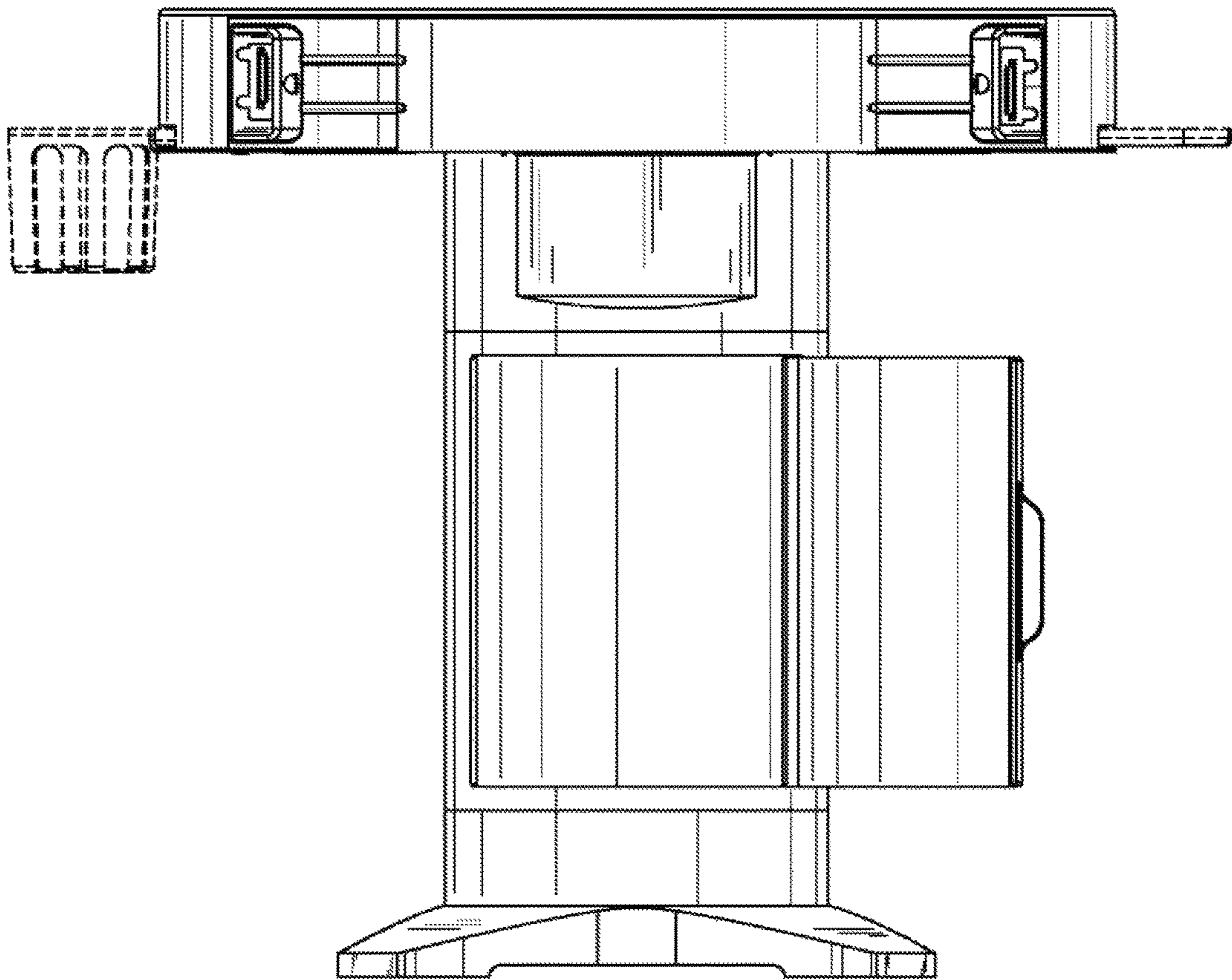
Great Useful Stuff, "The G.U.S. Corner Charging and Sunglass Station for Smartphones, Phablets, Tablets, Watches, Apple Watches, and Other Personal Accessories and Chargeable Devices (Zen Collection)," product listing downloaded from Internet at Amazon.com on May 8, 2015, 4 pp.
 Kwikboost, "Kwikboost Charging Power Hub," product page downloaded from Internet at <http://www.kwikboost.com/power-table/> on May 8, 2015, 3 pp.
 Kwikboost, "Powerful Charging Solutions," product brochure, 2014, 4 pp.

* cited by examiner

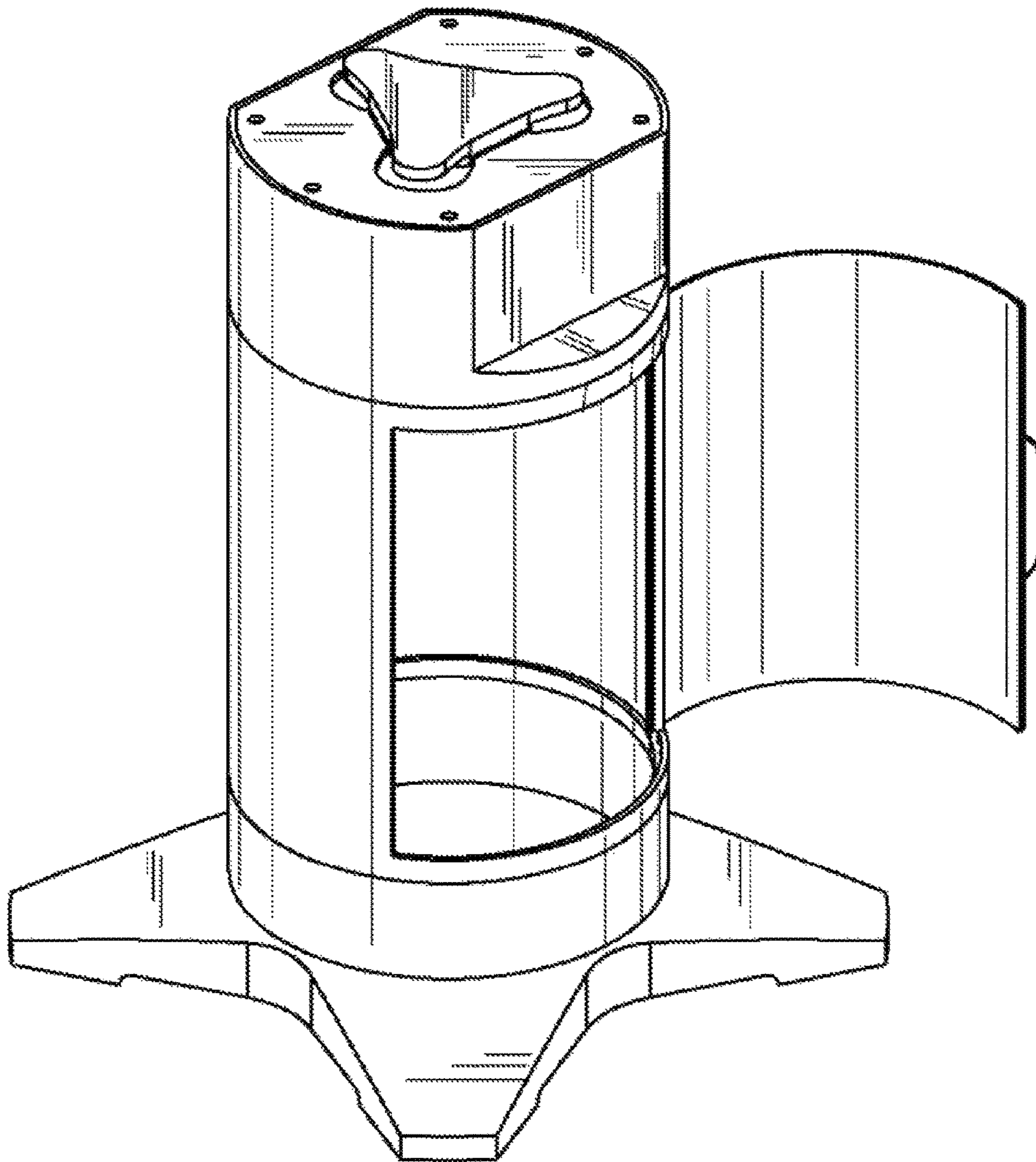
2.1



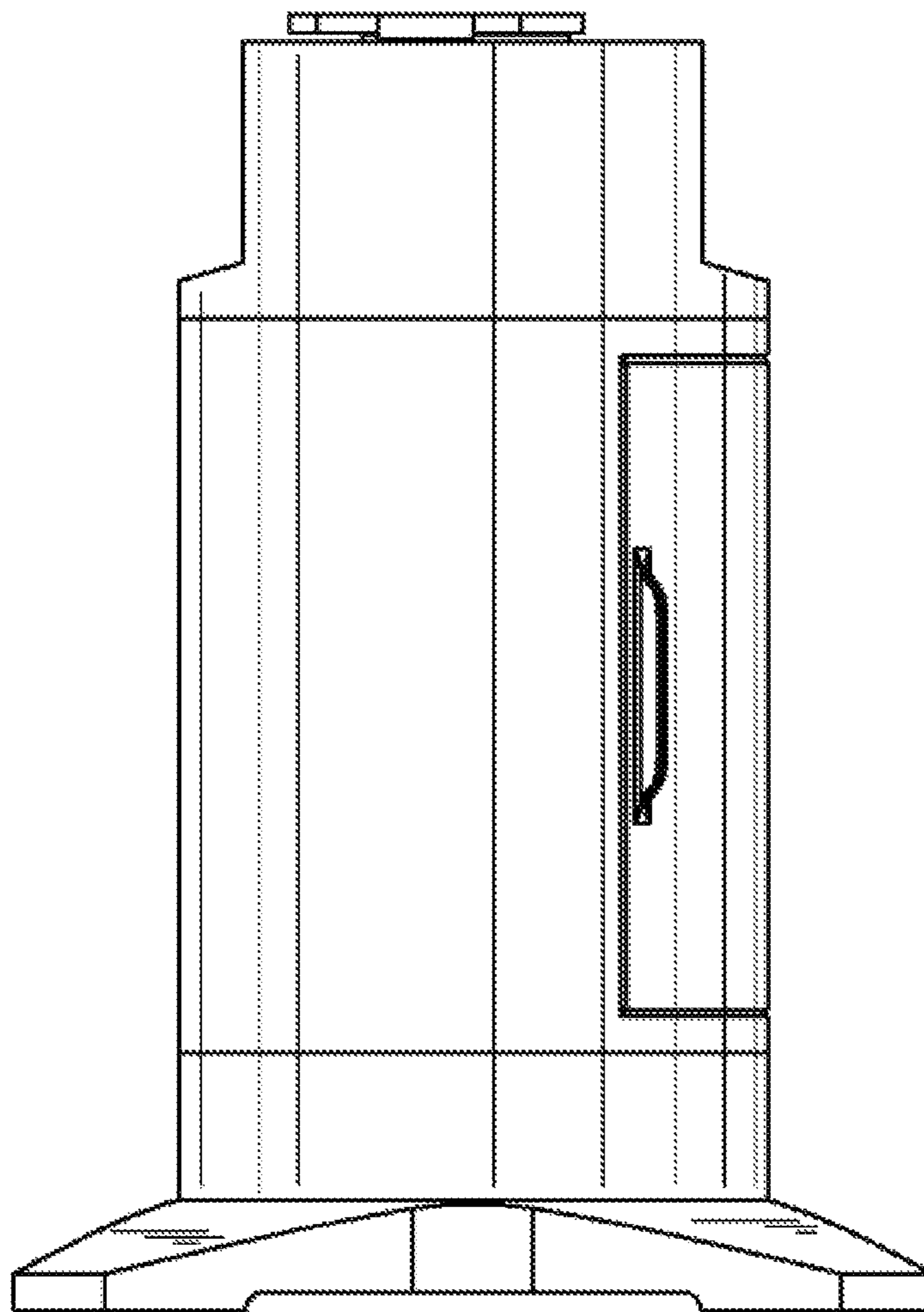
2.2



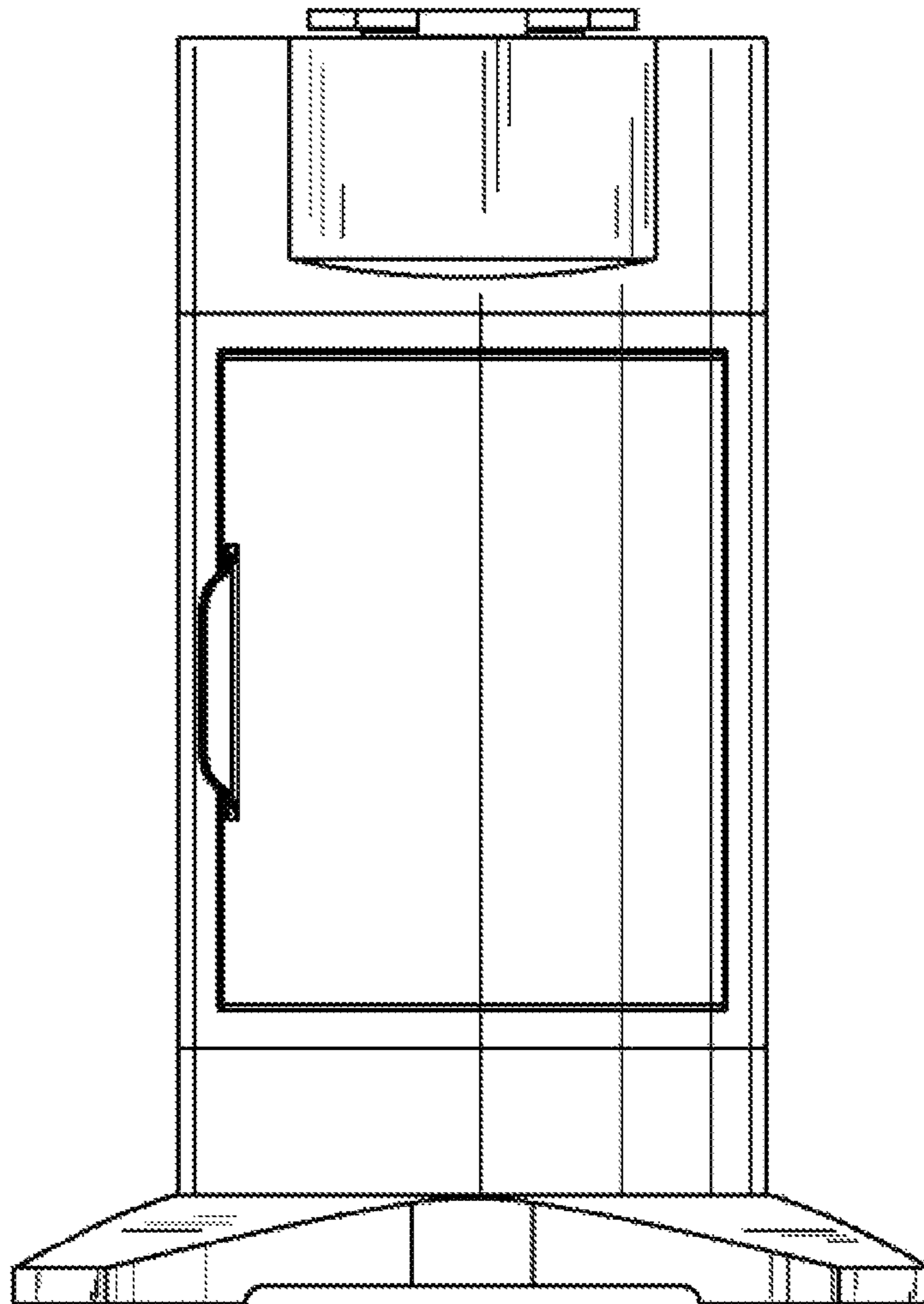
2.3



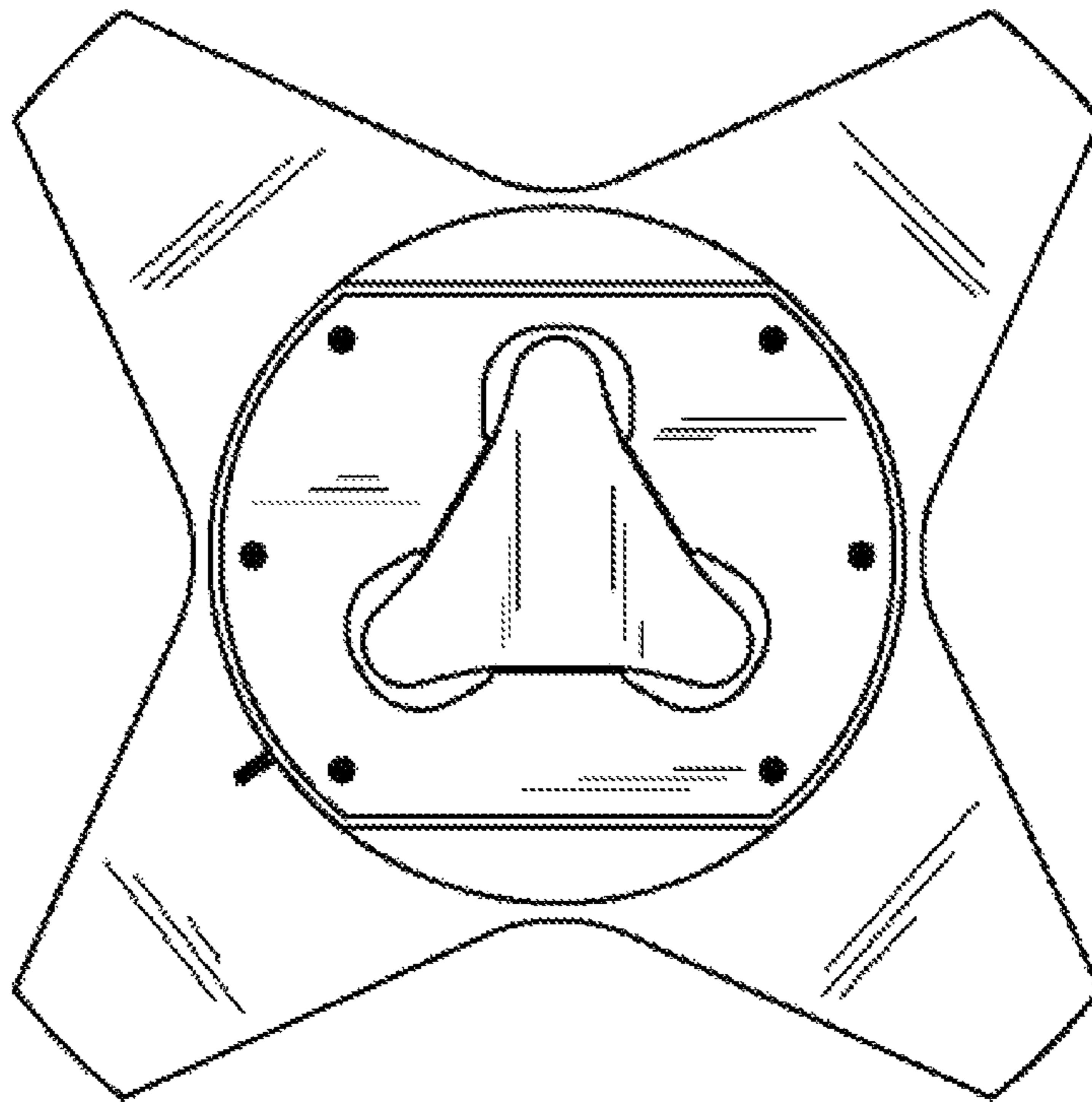
2.4



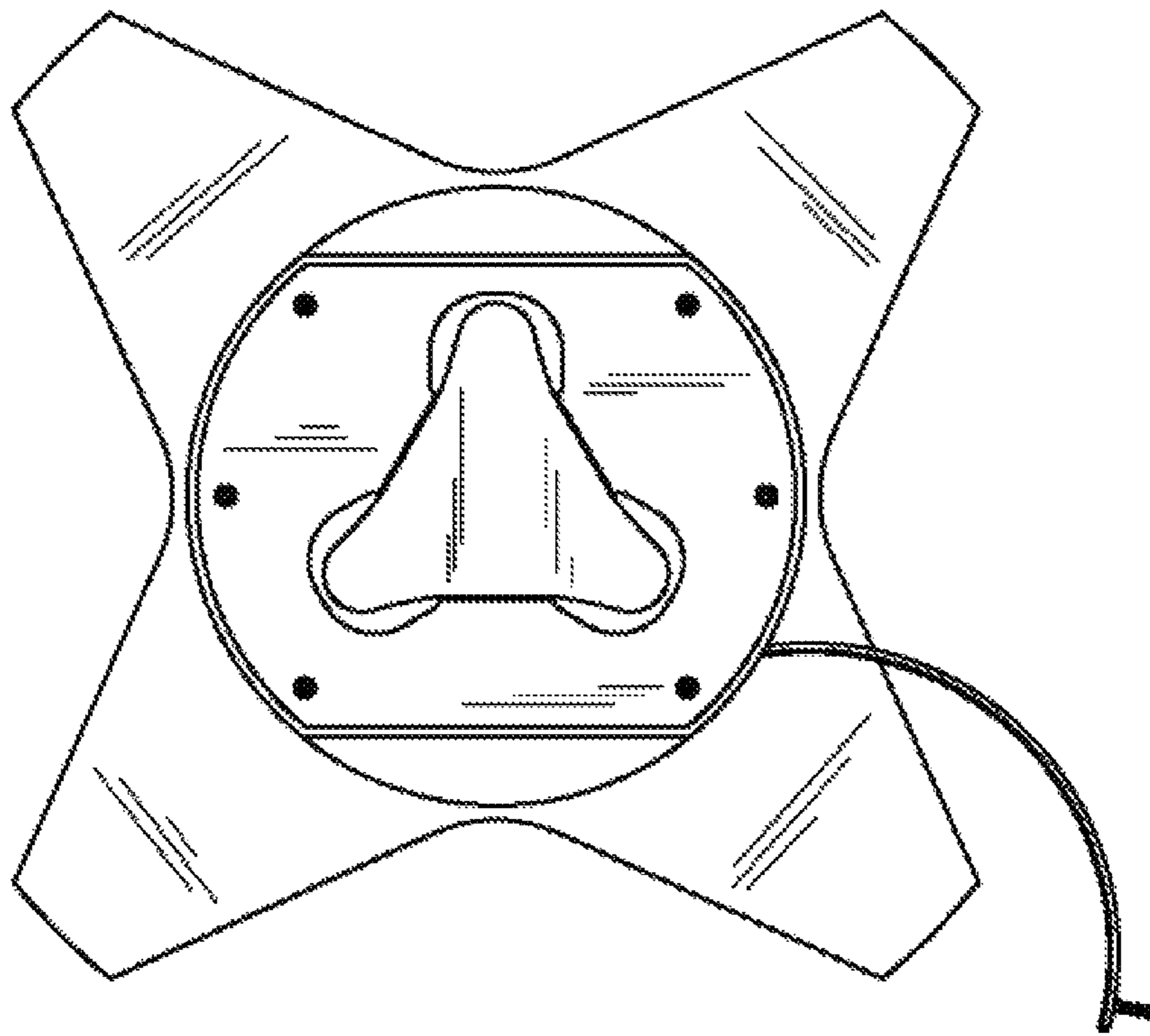
2.5



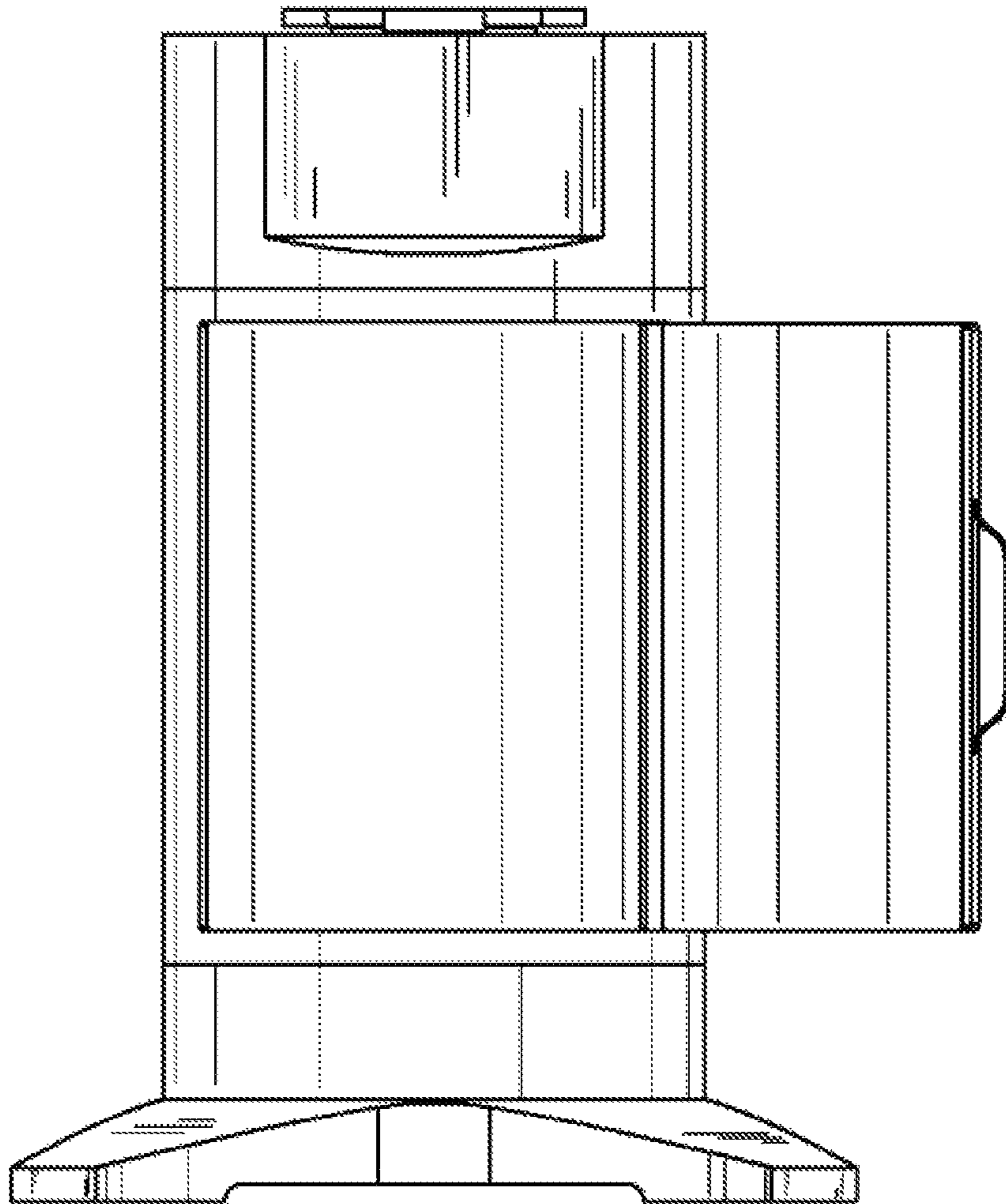
2.6



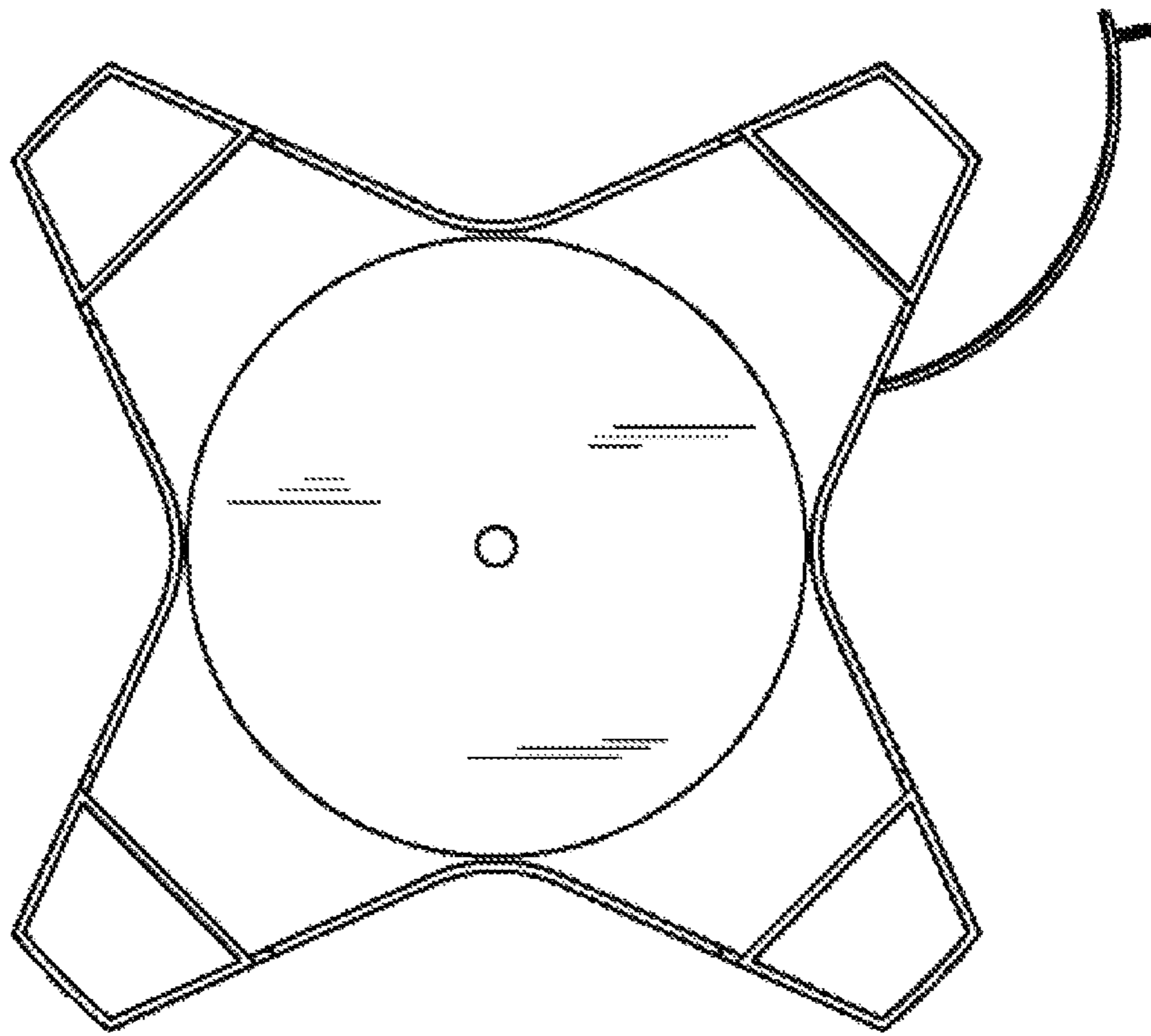
2.7



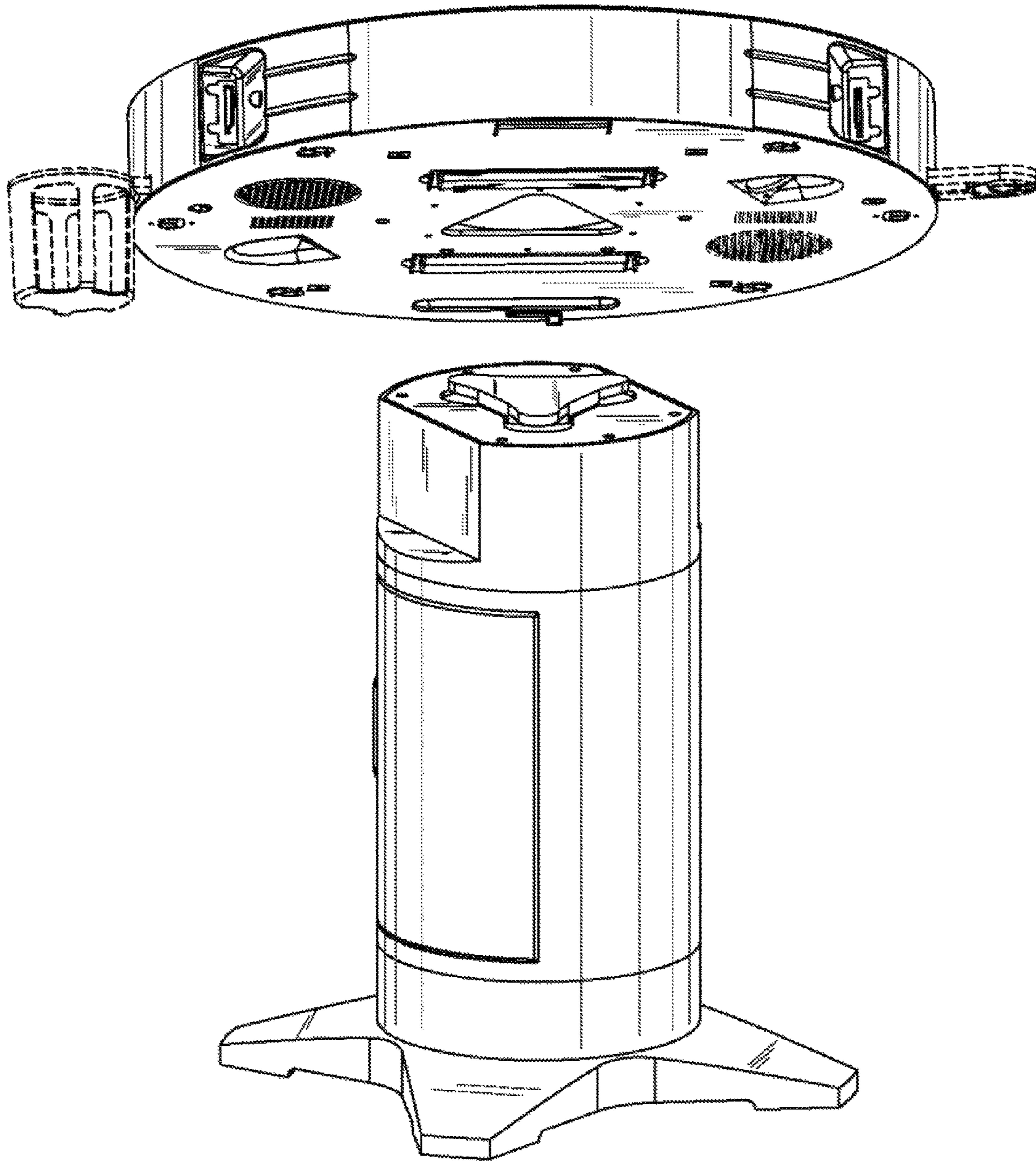
2.8



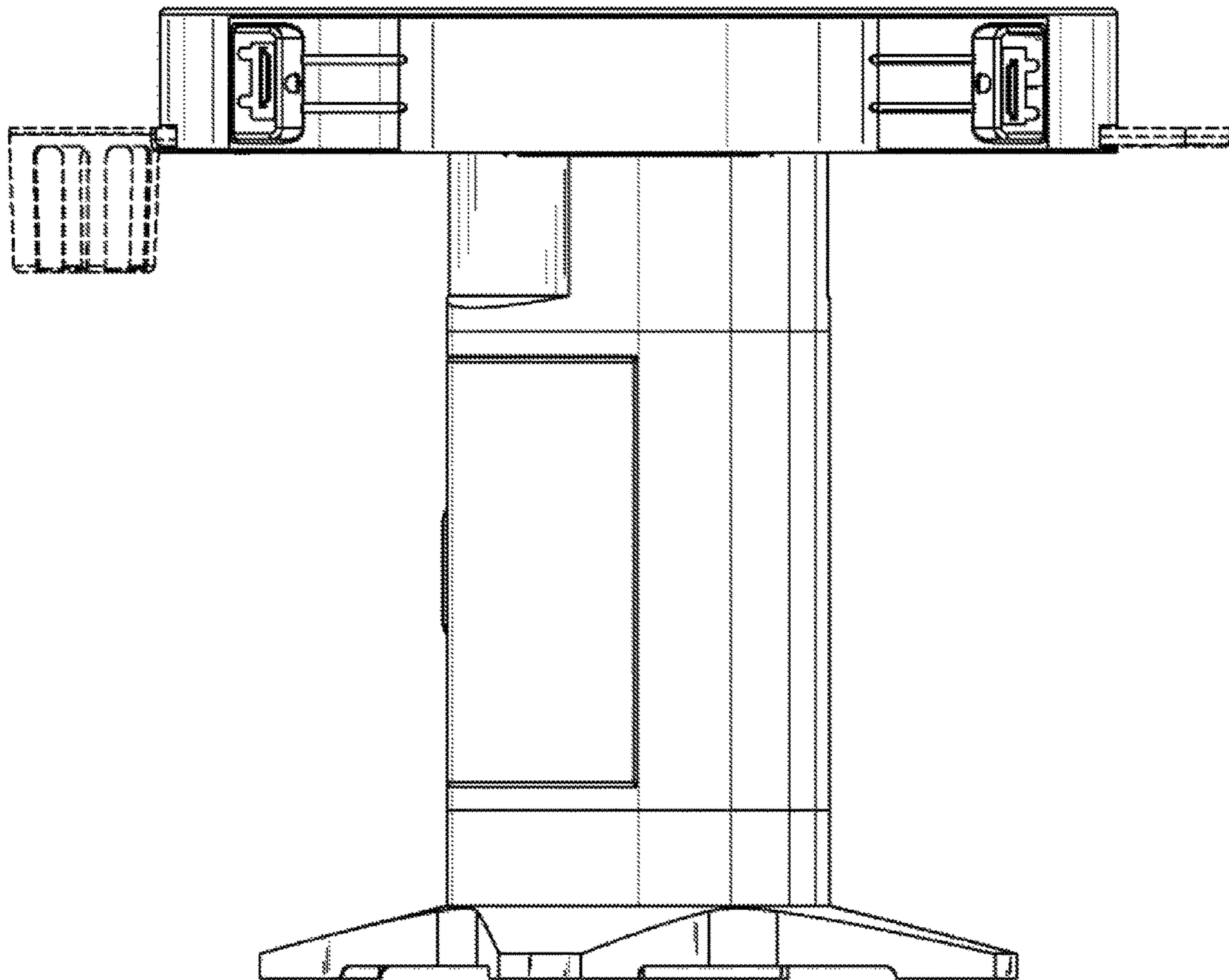
2.9



2.10



2.11



2.12

