



US00D783324S

(12) **United States Design Patent** (10) **Patent No.:** **US D783,324 S**  
**Akana et al.** (45) **Date of Patent:** **\*\* Apr. 11, 2017**

(54) **TABLE**

(71) Applicant: **Apple Inc.**, Cupertino, CA (US)

(72) Inventors: **Jody Akana**, San Francisco, CA (US); **Bartley K. Andre**, Palo Alto, CA (US); **Shota Aoyagi**, San Francisco, CA (US); **Anthony Michael Ashcroft**, San Francisco, CA (US); **Jeremy Bataillou**, San Francisco, CA (US); **Daniel J. Coster**, San Francisco, CA (US); **Daniele De Iuliis**, San Francisco, CA (US); **Christopher M. Green**, Woodside, CA (US); **M. Evans Hankey**, San Francisco, CA (US); **Julian Hoenig**, San Francisco, CA (US); **Richard P. Howarth**, San Francisco, CA (US); **Jonathan P. Ive**, San Francisco, CA (US); **Duncan Robert Kerr**, San Francisco, CA (US); **Kully Kraig Mandon**, San Francisco, CA (US); **Matthew Dean Rohrbach**, San Francisco, CA (US); **Peter Russell-Clarke**, San Francisco, CA (US); **Benjamin Andrew Shaffer**, San Jose, CA (US); **Jonathan P. Siegel**, San Francisco, CA (US); **Mikael Silvano**, San Francisco, CA (US); **Christopher J. Stringer**, Woodside, CA (US); **Eugene Antony Whang**, San Francisco, CA (US); **Rico Zörkendörfer**, San Francisco, CA (US)

(73) Assignee: **Apple Inc.**, Cupertino, CA (US)

(\*\*) Term: **15 Years**

(21) Appl. No.: **29/577,887**

(22) Filed: **Sep. 16, 2016**

**Related U.S. Application Data**

(63) Continuation of application No. 29/501,841, filed on Sep. 9, 2014, now Pat. No. Des. 766,633, and a (Continued)

(51) **LOC (10) Cl.** ..... **06-03**

(52) **U.S. Cl.**  
USPC ..... **D6/691.1**

(58) **Field of Classification Search**  
USPC ..... D6/349, 684, 685, 687, 690, 691, 691.2, D6/691.3, 691.7, 691.8, 707, 707.19  
(Continued)

(56) **References Cited**

U.S. PATENT DOCUMENTS

D90,849 S 10/1933 Kayser  
D96,986 S 9/1935 Jewell  
(Continued)

OTHER PUBLICATIONS

SEI Coffee Table—Amazon.com <https://www.amazon.com/SEI-Coffee-Table-Light-Brown/dp/B004UVBKWW> retrieved from the internet on Jan. 30, 2017.\*

(Continued)

*Primary Examiner* — Mary Ann Calabrese  
(74) *Attorney, Agent, or Firm* — Sterne, Kessler, Goldstein & Fox P.L.L.C.

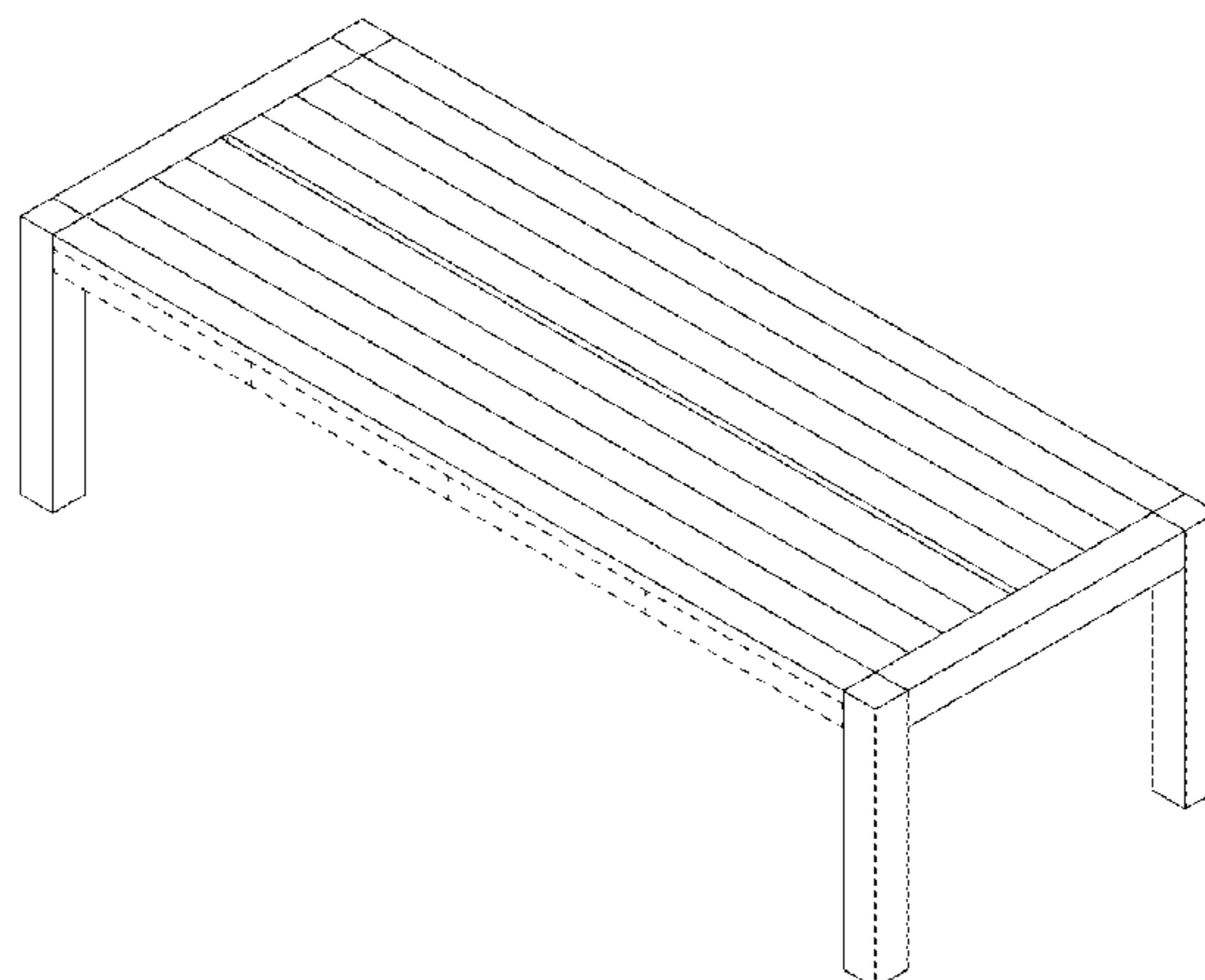
(57) **CLAIM**

The ornamental design for a table, as shown and described.

**DESCRIPTION**

FIG. 1 is a front perspective view of a table showing the claimed design;  
FIG. 2 is a rear perspective view thereof;  
FIG. 3 is a front view thereof  
FIG. 4 is a rear view thereof;  
FIG. 5 is a right side view thereof  
FIG. 6 is a left side view thereof;  
FIG. 7 is a top view thereof; and,  
FIG. 8 is a bottom view thereof.  
The broken lines in the figures show portions of the table that form no part of the claimed design.

**1 Claim, 7 Drawing Sheets**



**Related U.S. Application Data**

continuation of application No. 29/500,951, filed on Aug. 29, 2014, now Pat. No. Des. 766,631, and a continuation of application No. 29/495,788, filed on Jul. 3, 2014, now Pat. No. Des. 766,632, and a continuation of application No. 29/493,879, filed on Jun. 13, 2014, now Pat. No. Des. 766,630, said application No. 29/501,841 is a continuation of application No. 29/500,951, filed on Aug. 29, 2014, now Pat. No. Des. 766,631, which is a continuation-in-part of application No. 29/495,788, filed on Jul. 3, 2014, now Pat. No. Des. 766,632, which is a continuation of application No. 29/493,879, filed on Jun. 13, 2014, now Pat. No. Des. 766,630.

(58) **Field of Classification Search**

CPC ..... A47B 7/00; A47B 13/00; A47B 13/003; A47B 13/02; A47B 13/04; A47B 13/08; A47B 2200/0016; A47B 95/0043; B25H 1/02

See application file for complete search history.

(56) **References Cited**

U.S. PATENT DOCUMENTS

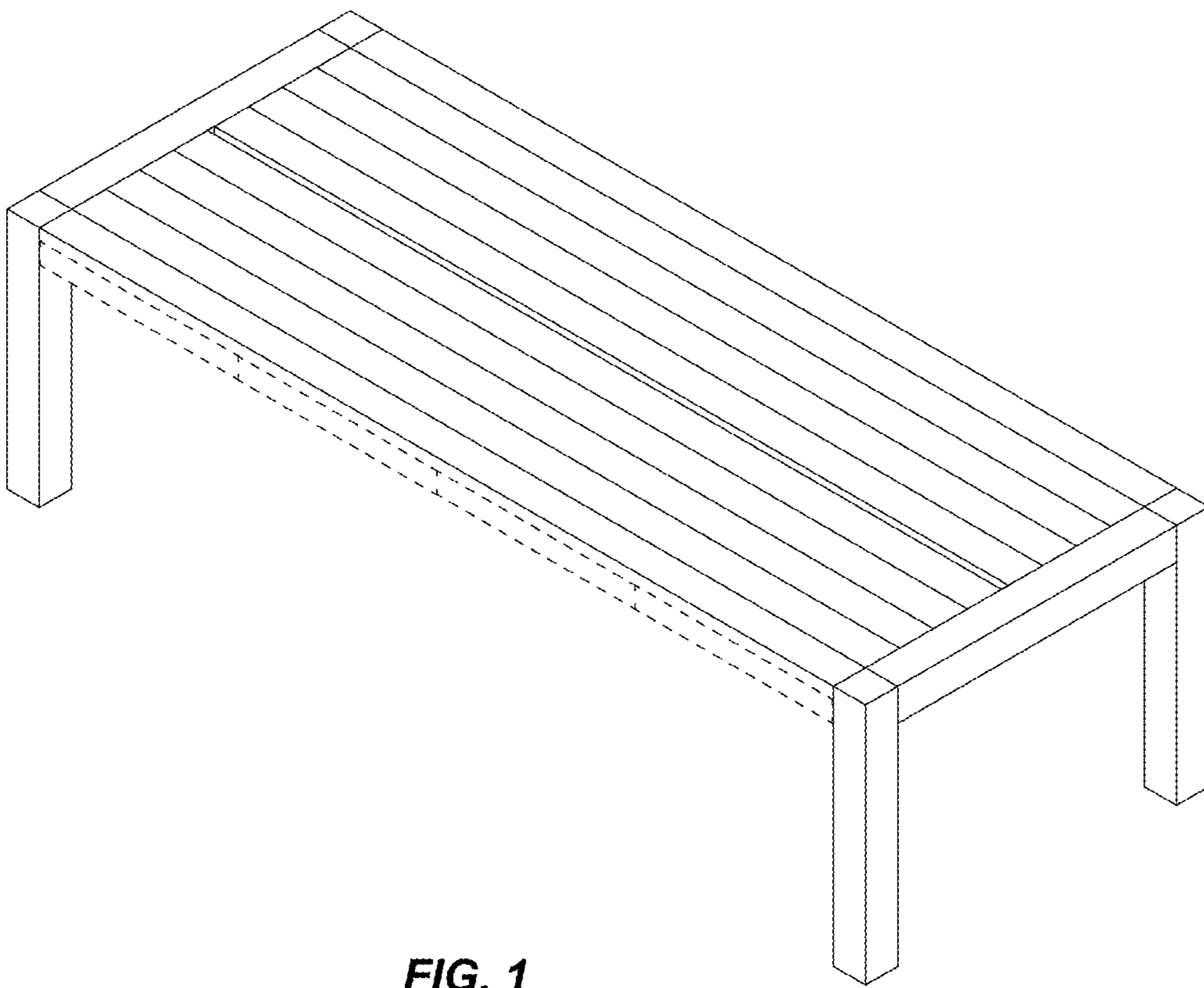
3,289,616 A \* 12/1966 Donihi ..... B25H 1/02  
108/161  
D245,135 S \* 7/1977 Saltz ..... D6/691.1  
D385,728 S \* 11/1997 Mulligan ..... D6/691.1  
D414,354 S 9/1999 Gower  
D442,391 S 5/2001 Wu  
D448,211 S 9/2001 Schulte et al.  
D484,717 S 1/2004 de Blois  
D516,842 S \* 3/2006 Cross ..... D6/691.1  
D522,274 S 6/2006 Coval  
D527,928 S 9/2006 Spector et al.

D556,473 S \* 12/2007 Good ..... D6/691.1  
D591,079 S 4/2009 Singler et al.  
D591,979 S 5/2009 Singler et al.  
D657,978 S 4/2012 Hamm et al.  
D678,696 S 3/2013 Hamm et al.  
D679,521 S 4/2013 Hamm et al.  
D688,494 S 8/2013 Hamm et al.  
D693,156 S 11/2013 Hamm et al.  
D713,658 S 9/2014 Tio et al.  
D724,388 S 3/2015 Smeja  
D725,947 S 4/2015 Tio et al.  
D728,281 S 5/2015 Heirakuji et al.  
D729,560 S 5/2015 Hamm et al.  
D734,078 S \* 7/2015 Bougay ..... D6/691.1  
D734,965 S 7/2015 Tio et al.  
D742,666 S 11/2015 Akana  
D753,418 S \* 4/2016 Hsu ..... D6/675  
D758,106 S 6/2016 Hamm et al.  
D766,630 S \* 9/2016 Akana ..... D6/691.1  
D766,631 S \* 9/2016 Akana ..... D6/691.9  
D776,471 S \* 1/2017 Mandon ..... D6/691.1  
2010/0043679 A1 \* 2/2010 Laws ..... A47B 95/043  
108/64

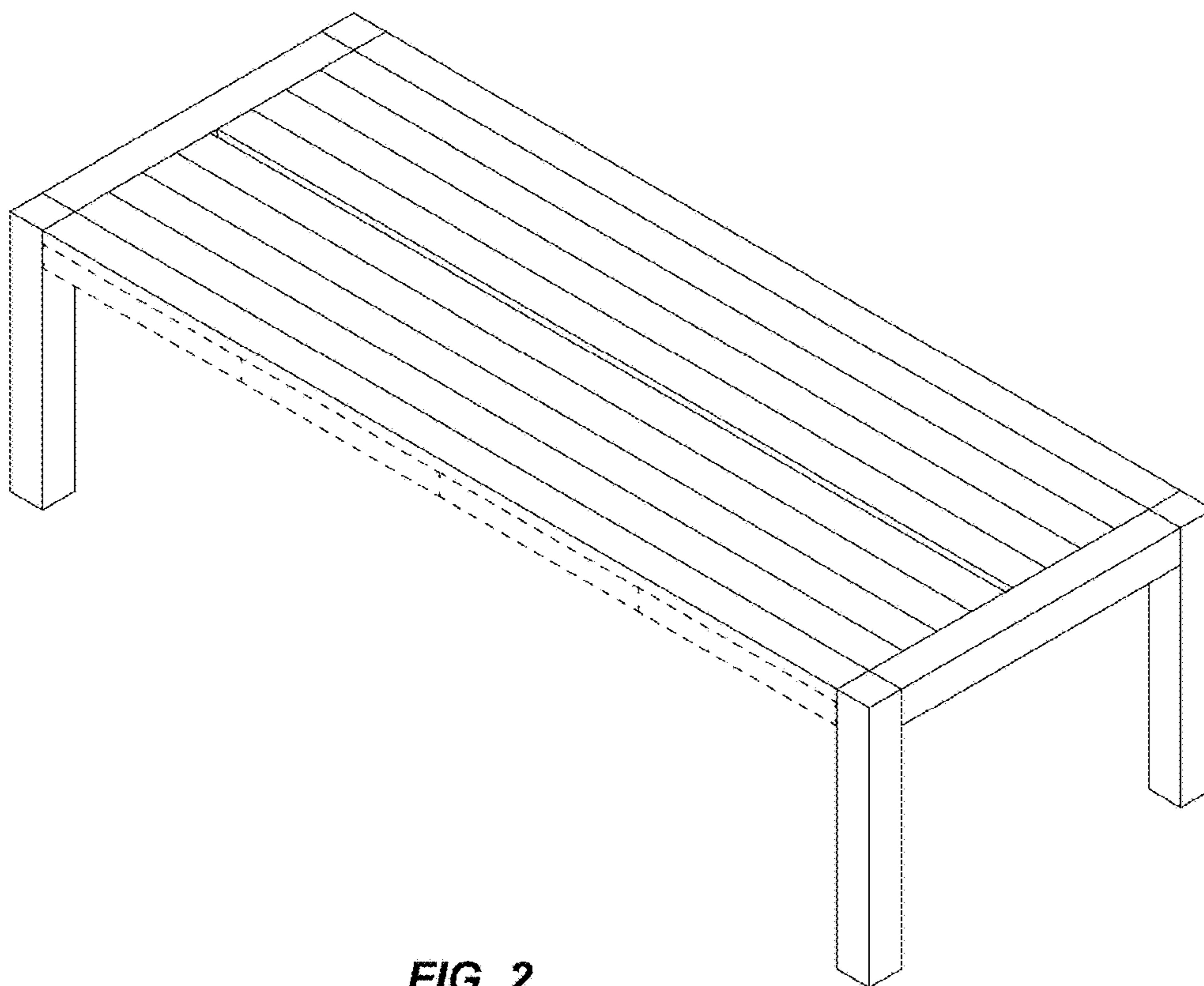
OTHER PUBLICATIONS

Neil Hughes, "Apple retail stores 'bulging at the seams' at 8400 average square feet," Appleinsider.com, dated May 8, 2012, accessed at <[http://appleinsider.com/articles/12/05/08/apple\\_retail\\_stores\\_bulging\\_at\\_the\\_seams\\_at\\_8400\\_average\\_square\\_feet](http://appleinsider.com/articles/12/05/08/apple_retail_stores_bulging_at_the_seams_at_8400_average_square_feet)>, accessed on Oct. 10, 2014, 2 pages.  
Valentina Palladino, "Apple Store Receives Trademark for 'Distinctive Design and Layout,'" Wired.com, dated Jan. 30, 2013, accessed at <<http://www.wired.com/2013/01/apple-store-trademark/>>, accessed on Oct. 10, 2014, 2 pages.  
U.S. Appl. No. 29/493,878, filed Jun. 13, 2014; Akana et al.  
U.S. Appl. No. 29/501,029, filed Aug. 29, 2014; Akana et al.

\* cited by examiner



**FIG. 1**



**FIG. 2**

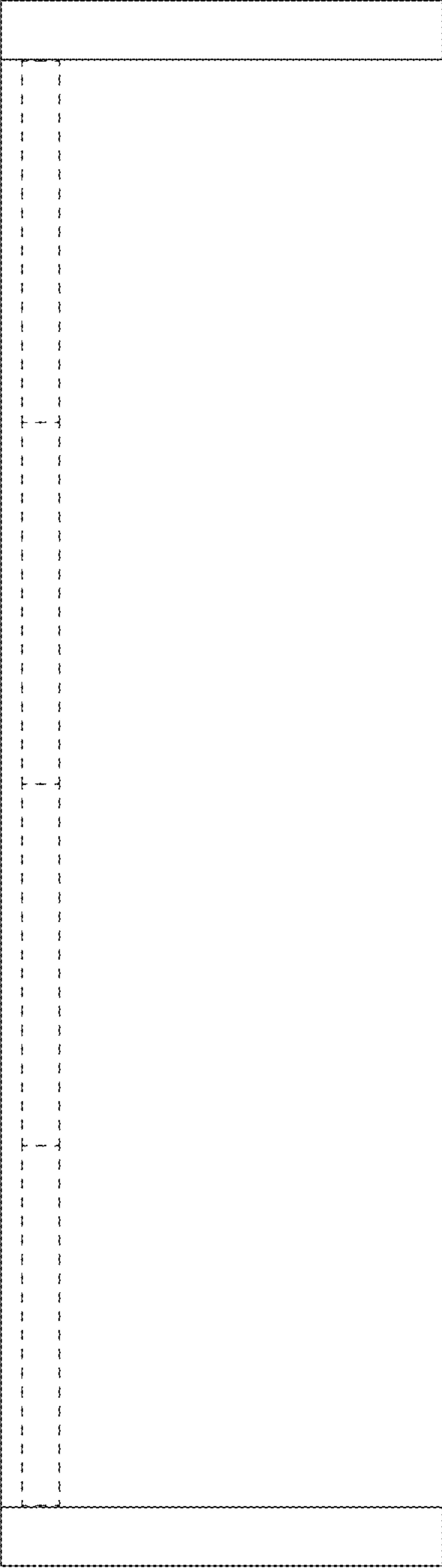


FIG. 3

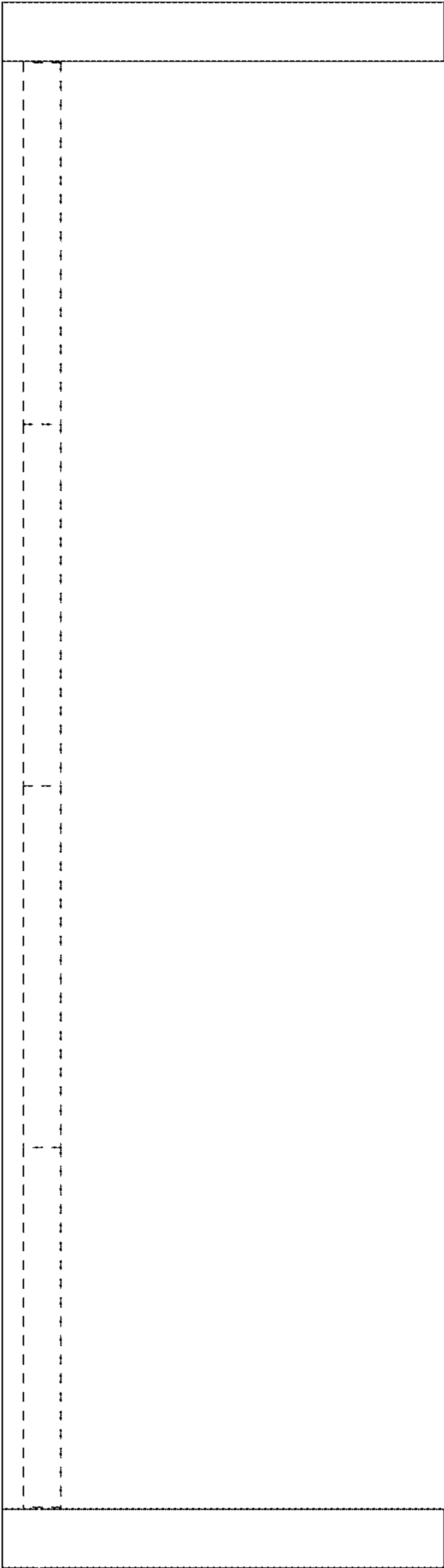
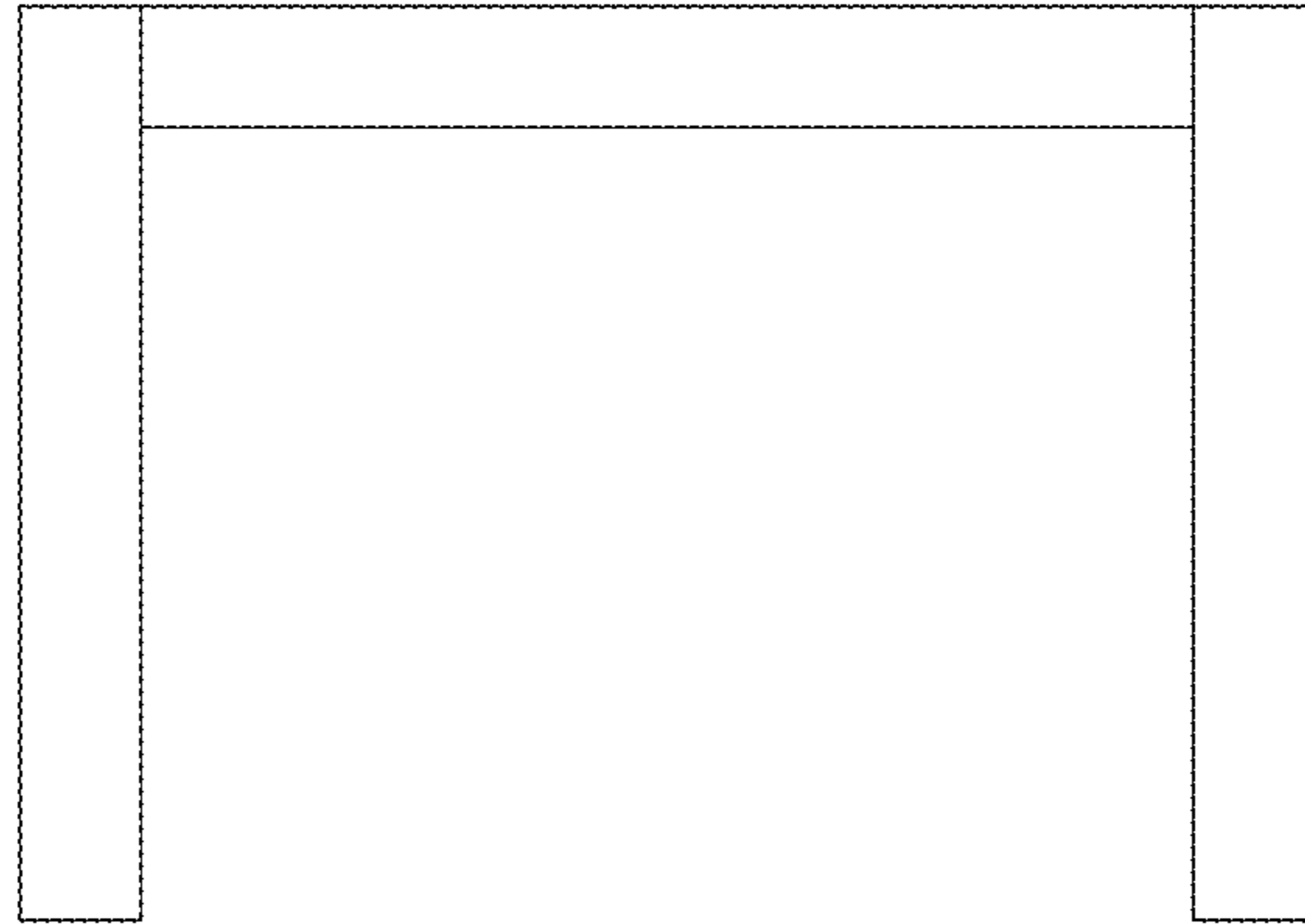
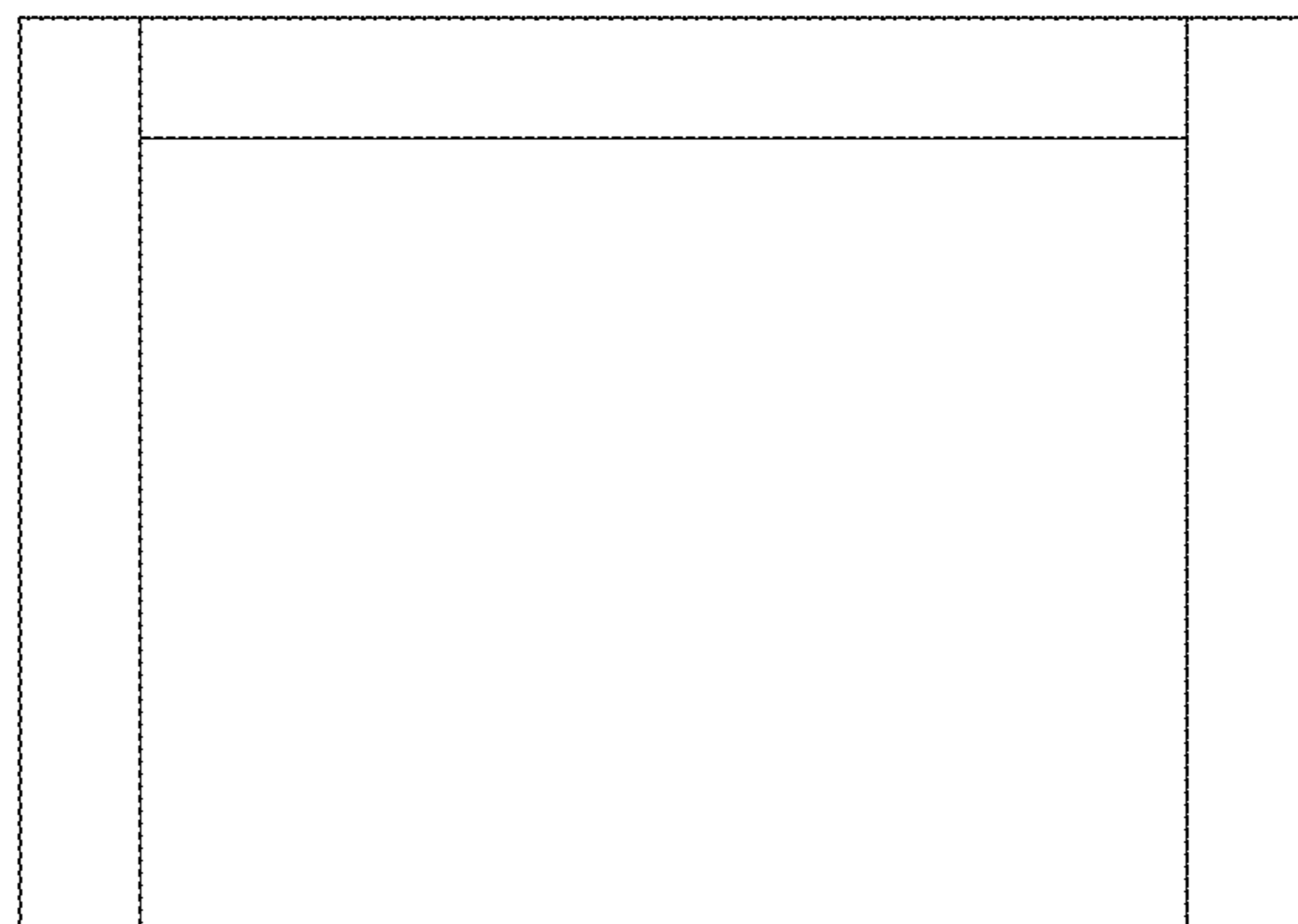


FIG. 4



**FIG. 5**



**FIG. 6**

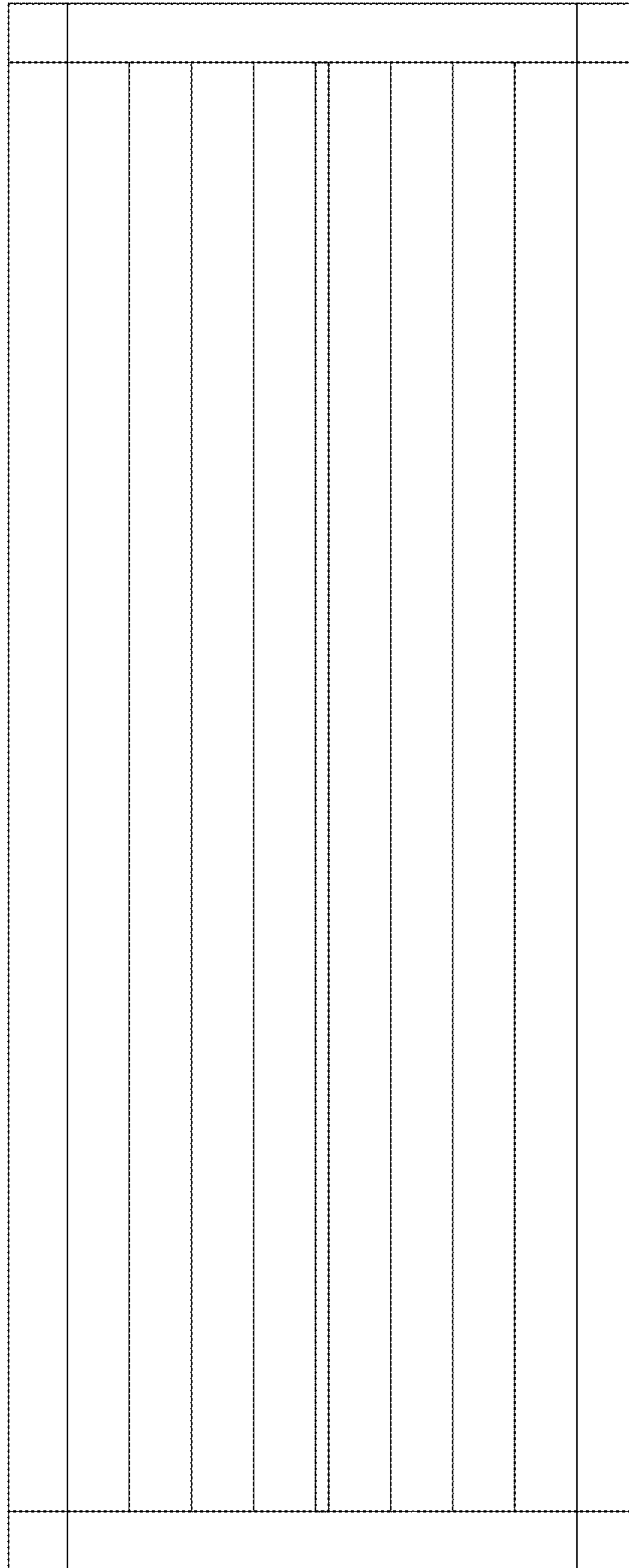


FIG. 7



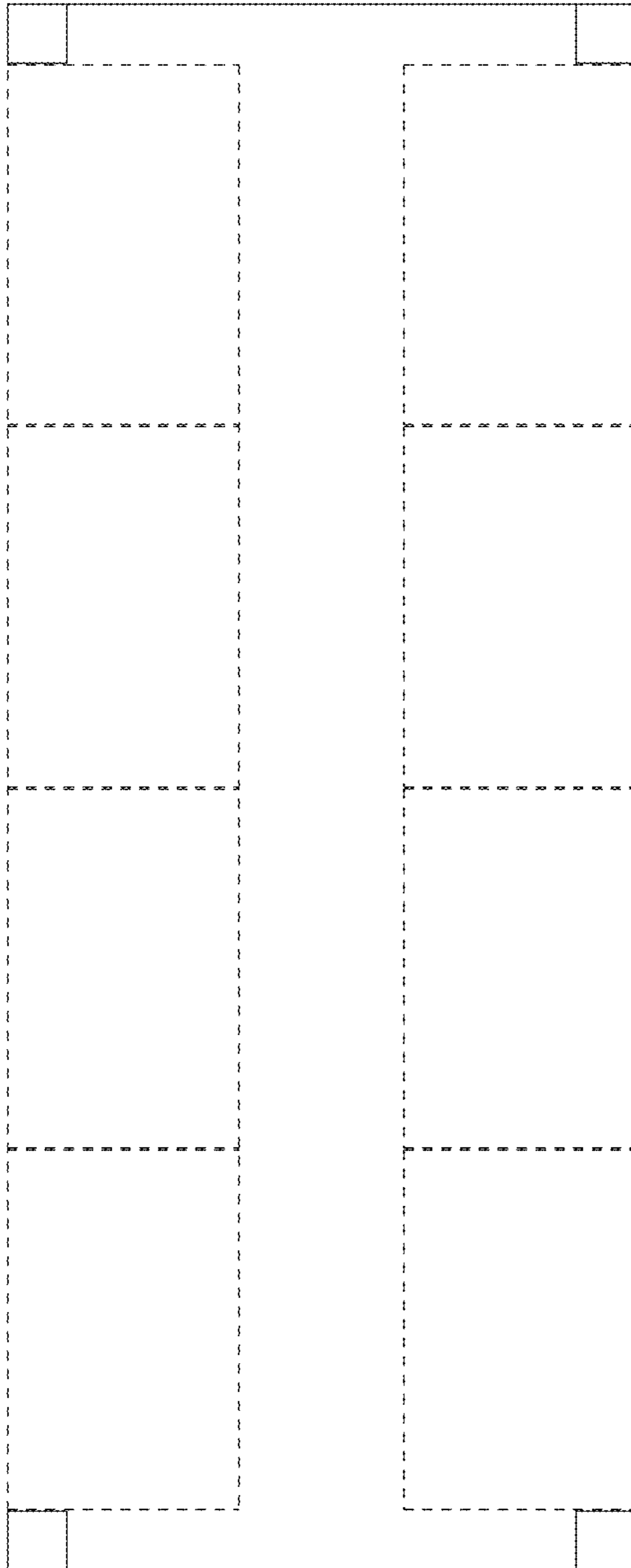


FIG. 8