



US00D783322S

(12) **United States Design Patent** (10) **Patent No.:** **US D783,322 S**
Taunton (45) **Date of Patent:** **** Apr. 11, 2017**

- (54) **TABLE**
- (71) Applicant: **Foremost Groups, Inc.**, East Hanover, NJ (US)
- (72) Inventor: **Robert Taunton**, Goodlettsville, TN (US)
- (73) Assignee: **Foremost Groups, Inc.**, East Hanover, NJ (US)
- (**) Term: **14 Years**
- (21) Appl. No.: **29/501,363**
- (22) Filed: **Sep. 3, 2014**
- (51) **LOC (10) Cl.** **06-04**
- (52) **U.S. Cl.**
USPC **D6/691**; D6/691.1
- (58) **Field of Classification Search**
USPC D6/691, 691.1, 688.17, 688.11, 688.12, D6/692, 692.2, 692.1
CPC A47B 13/00; A47B 13/021; A47B 13/02; A47B 13/06; A47B 13/023; A47B 2200/0011; A47B 2200/0016; A47B 91/005
See application file for complete search history.

D544,254 S *	6/2007	Everson	D6/691.1
D544,256 S *	6/2007	Chen	D6/688.12
D558,488 S *	1/2008	Domack	D6/691.1
D562,598 S *	2/2008	Domack	D6/688.19
D565,867 S *	4/2008	Domack	D6/688.11
D569,660 S *	5/2008	Schmitt	D6/688.11
D575,080 S *	8/2008	Schmitt	D6/688.11
D586,154 S *	2/2009	Schmitt	D6/688.19
D605,432 S *	12/2009	Schmitt	D6/688.11
D610,837 S *	3/2010	Schmitt	D6/688.17
D615,322 S *	5/2010	Doughty	D6/691.1
D616,228 S *	5/2010	Guido	D6/691.1
D704,969 S *	5/2014	Zhou	D6/688.12
D724,871 S *	3/2015	Davis	D6/691
D738,651 S *	9/2015	Everson	D6/691.1
D759,410 S *	6/2016	Schmitt	D6/688.11

* cited by examiner

Primary Examiner — Robin V Webster
Assistant Examiner — James Thorn, Sr.
(74) *Attorney, Agent, or Firm* — Drinker Biddle & Reath LLP

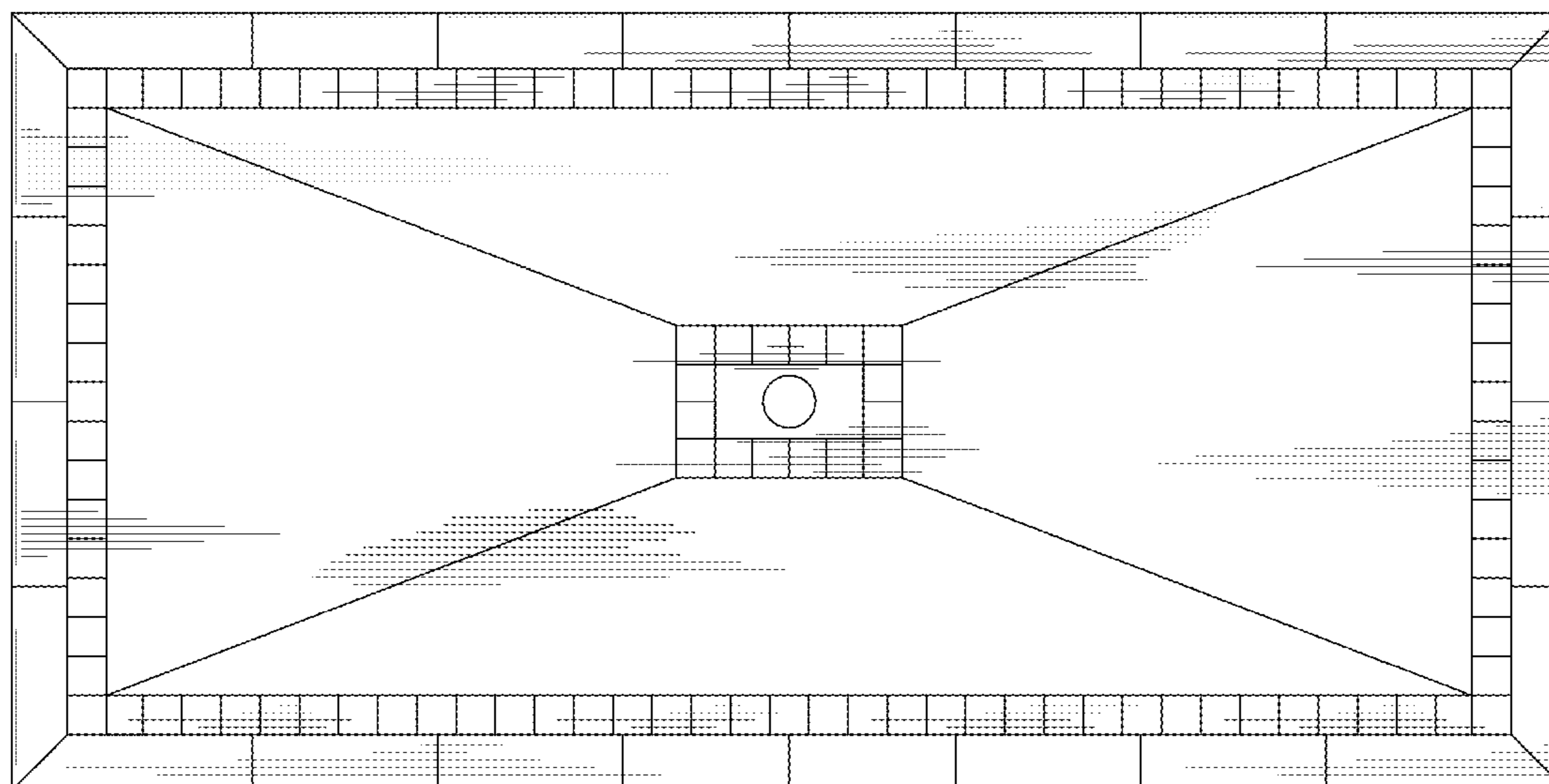
(57) **CLAIM**
The ornamental design for a table, as shown and described.

DESCRIPTION

FIG. 1 is a top view of a table according to the present invention.
FIG. 2 is a bottom view of the table of FIG. 1.
FIG. 3 is a left side view of the table of FIG. 1; the right side view being a mirror image.
FIG. 4 is a front view of the table of FIG. 1; the rear view being a mirror image; and,
FIG. 5 is a side view of a portion of the table of FIG. 1 taken along lines 5-5 in FIG. 2.
The portions of the design shown in dashed lines do not form a part of the claimed invention.

1 Claim, 4 Drawing Sheets

- (56) **References Cited**
U.S. PATENT DOCUMENTS
D431,397 S * 10/2000 Li D6/688.12
D455,579 S * 4/2002 Vaaler D6/688.17
D471,385 S * 3/2003 Diaz-Azcuy D6/691
D471,386 S * 3/2003 O'Hare D6/691.1
D473,077 S * 4/2003 Berry, Jr. D6/691.3
D475,869 S * 6/2003 Jackson D6/691.1
D486,983 S * 2/2004 O'Hare D6/691.1
D525,055 S * 7/2006 Domack D6/691.1



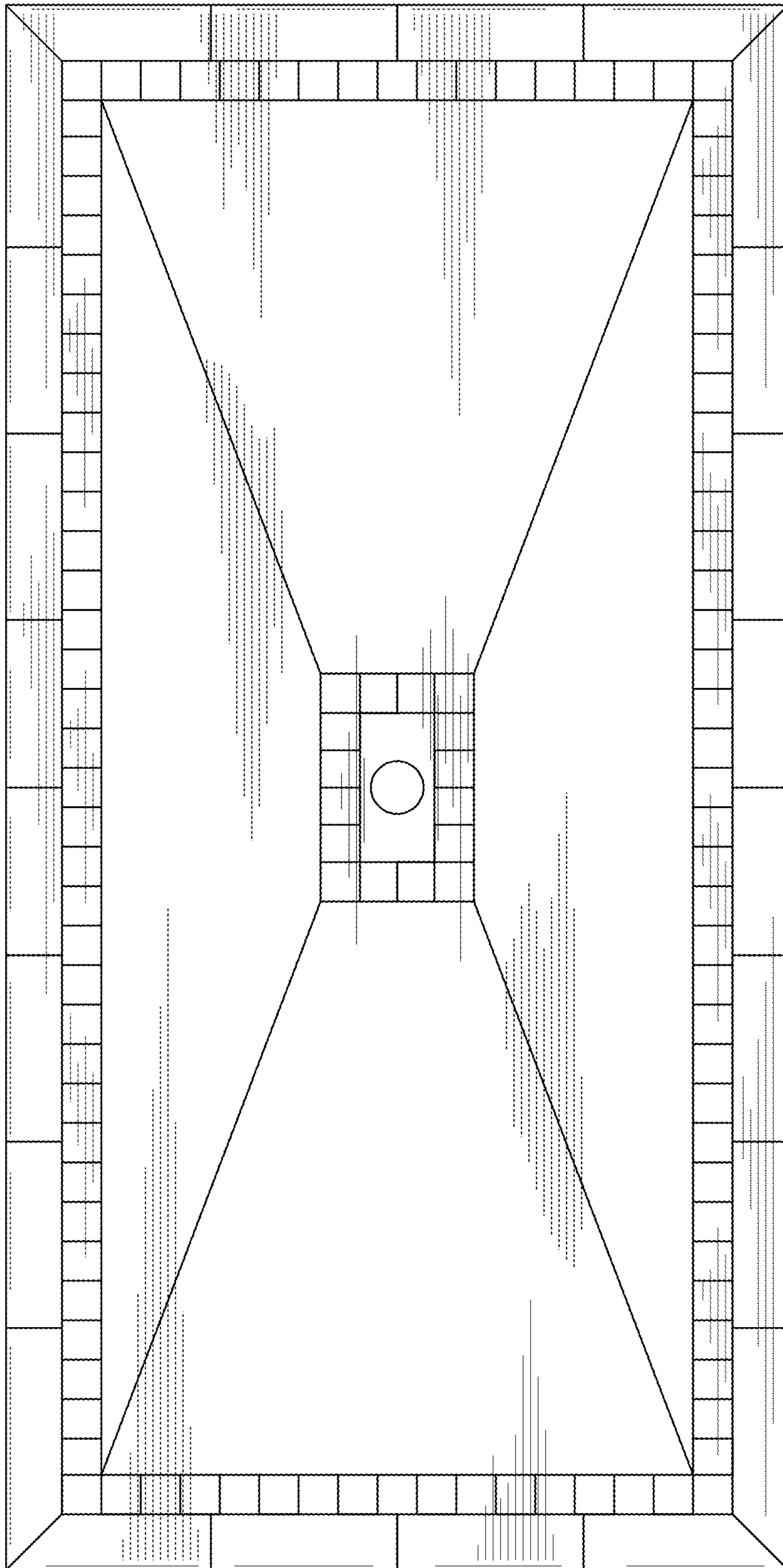


FIG. 1

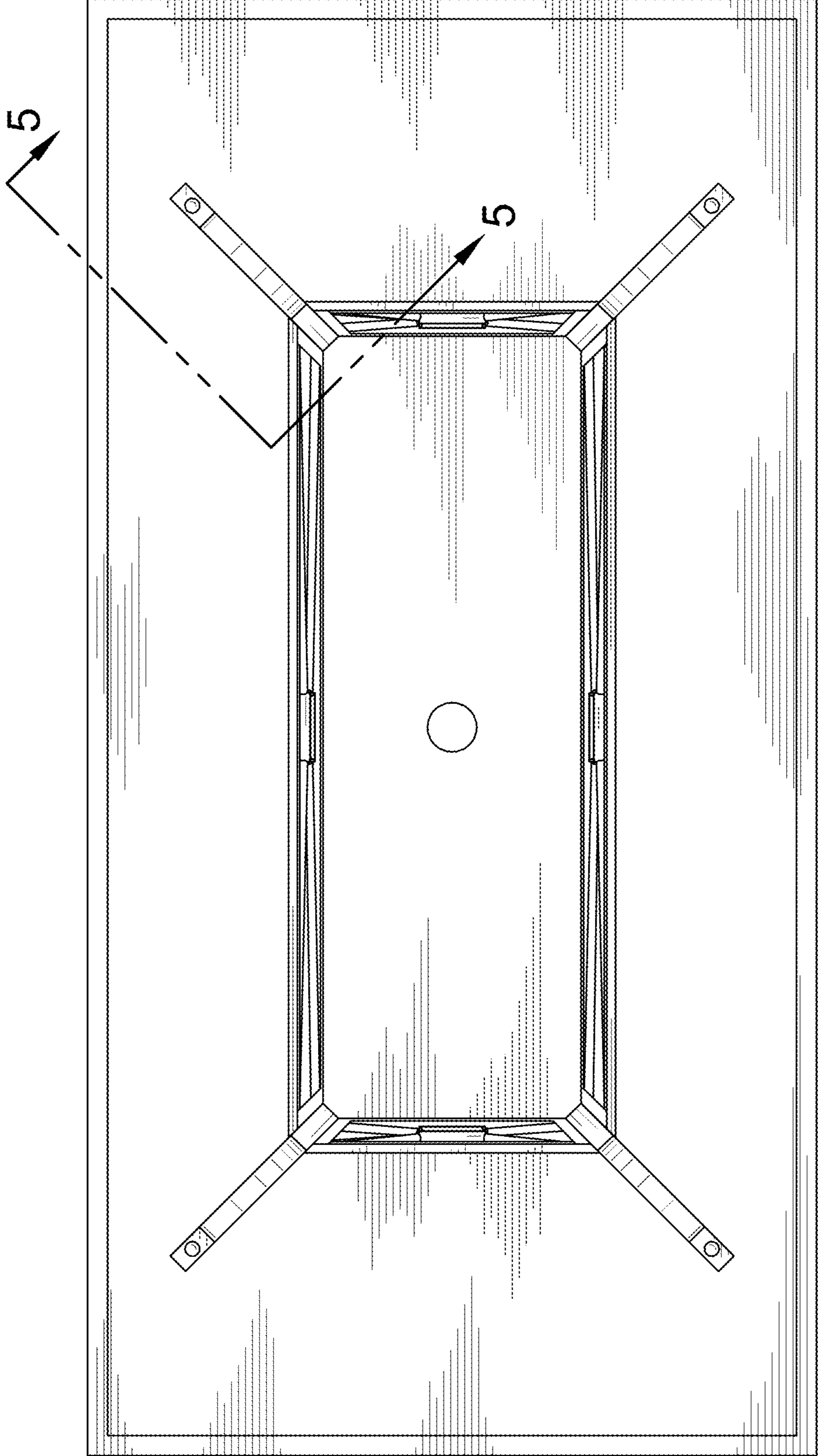


FIG. 2

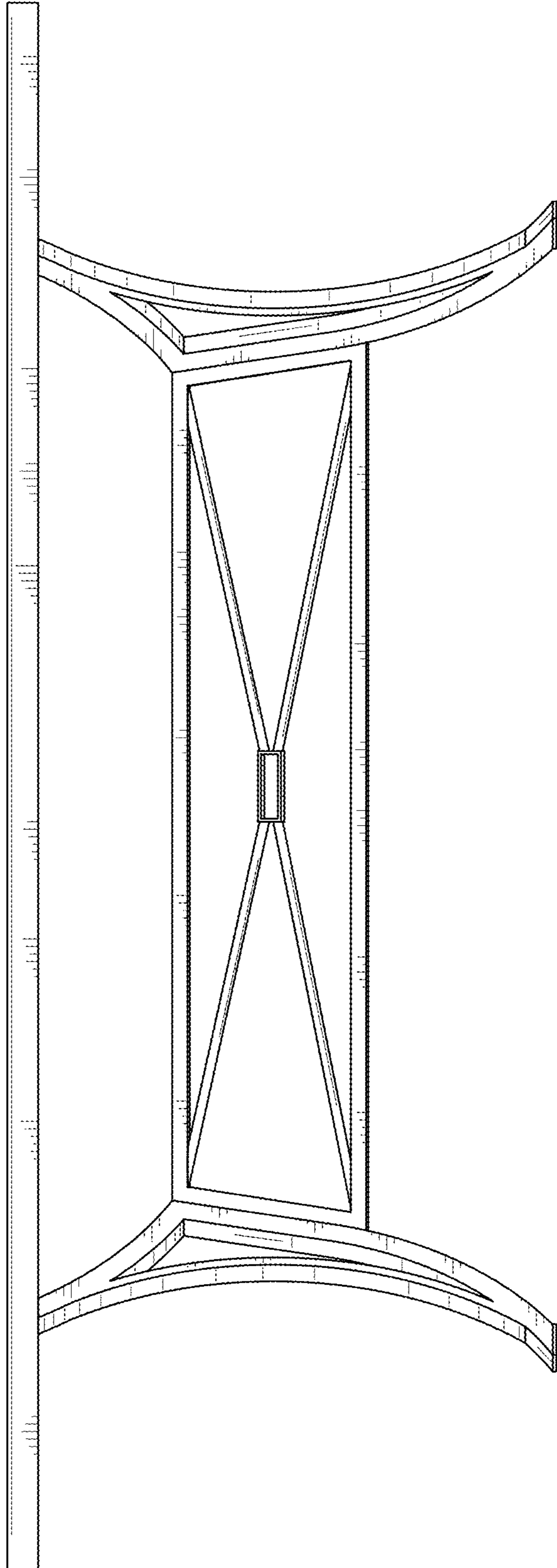


FIG. 3

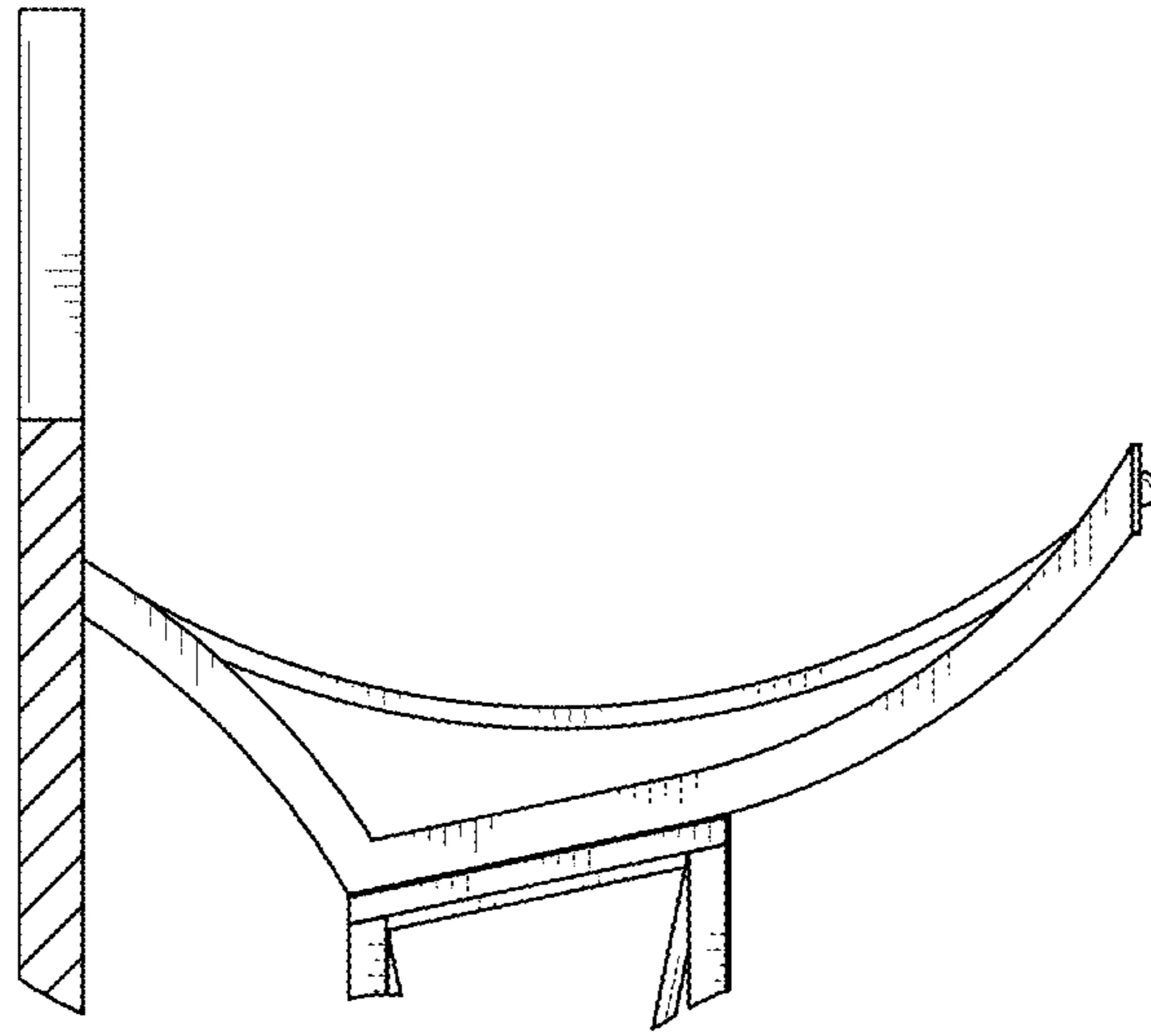


FIG. 5

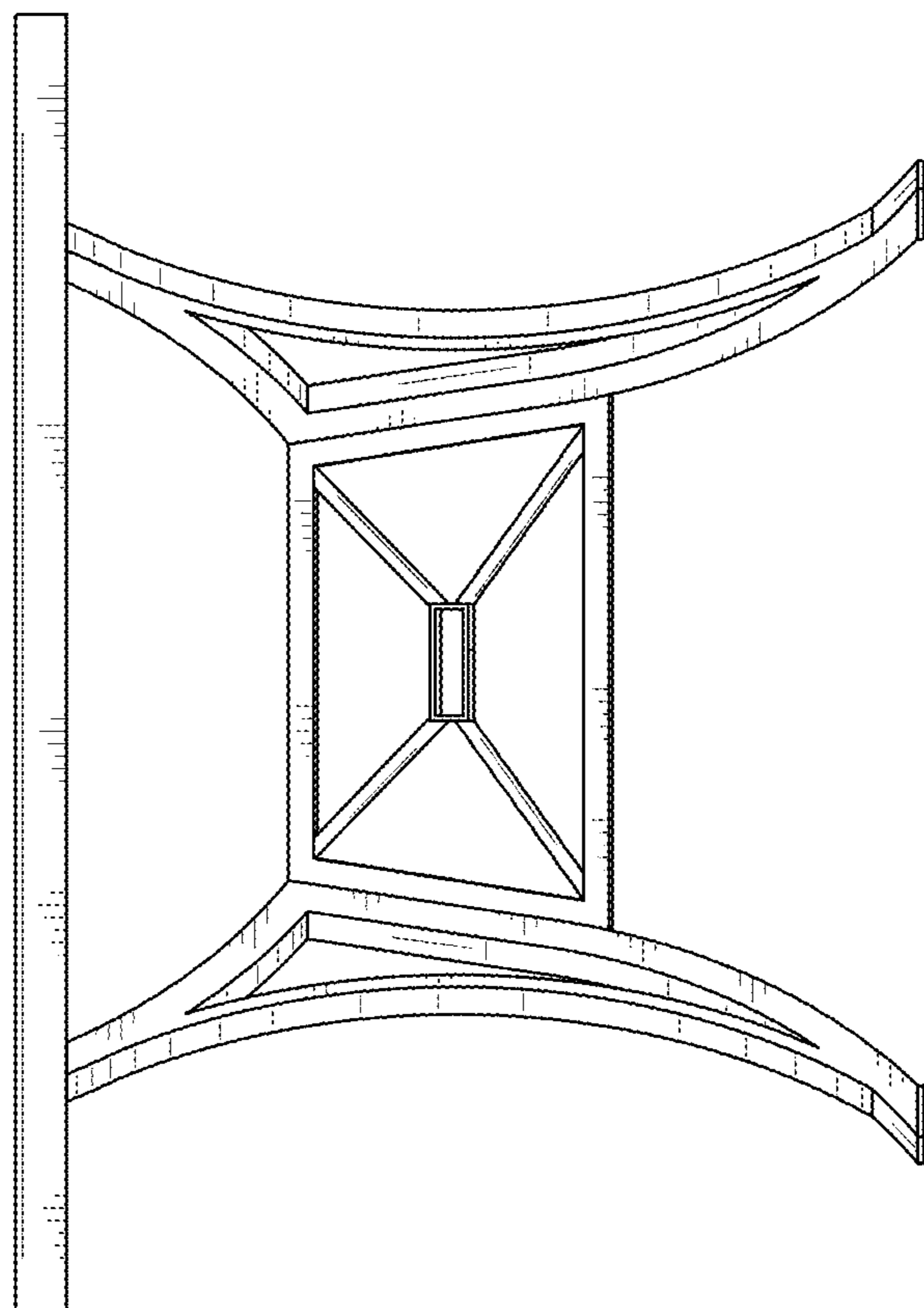


FIG. 4