



US00D783321S

(12) **United States Design Patent** (10) **Patent No.:** **US D783,321 S**
Levy et al. (45) **Date of Patent:** **** Apr. 11, 2017**

(54) **SUNGLASS RACK**
(71) Applicant: **NAVAJO MANUFACTURING COMPANY, INC.**, Denver, CO (US)
(72) Inventors: **Gordon Levy**, Golden, CO (US); **Hoi Kwan Wong**, Thornton, CO (US); **David Martin**, Highlands Ranch, CO (US)
(73) Assignee: **Navajo Manufacturing Company, Inc.**, Denver, CO (US)

D500,418 S * 1/2005 Levin D6/680.2
D564,793 S * 3/2008 Shea D6/677
D572,041 S * 7/2008 Woolnough D6/678
D573,809 S * 7/2008 Levy D6/682.6
D582,175 S 12/2008 Levy et al.
D602,711 S * 10/2009 Cruz D6/682.2
D632,508 S * 2/2011 Levy D6/680.2
D644,453 S * 9/2011 Levy D6/680.2
D653,875 S * 2/2012 Levy D6/680.2
D654,727 S * 2/2012 Shea D6/682.2
D662,332 S 6/2012 Levy et al.
D682,582 S * 5/2013 Levy D6/680.2
D689,715 S * 9/2013 Wong D6/675.1
D752,370 S * 3/2016 Mchatet D6/675
D760,513 S * 7/2016 Barho D6/661

(**) Term: **15 Years**

* cited by examiner

(21) Appl. No.: **29/551,294**

Primary Examiner — Kelley Donnelly

(22) Filed: **Jan. 12, 2016**

(74) *Attorney, Agent, or Firm* — Stuebaker & Brackett PC

(51) **LOC (10) Cl.** **06-06**

(52) **U.S. Cl.**

USPC **D6/680.2**

(58) **Field of Classification Search**

USPC D6/672, 673, 675–675.1, 675.3, 675.4, D6/680, 680.1, 680.2

CPC A47B 43/00; A47B 49/00; A47F 1/00

See application file for complete search history.

(57) **CLAIM**

The ornamental design for a sunglass rack, as shown and described.

DESCRIPTION

(56) **References Cited**

U.S. PATENT DOCUMENTS

3,891,092 A * 6/1975 Surrette A47F 5/04
211/163
D261,711 S * 11/1981 Mulvihill D6/680.2
D262,754 S * 1/1982 Merl D6/680.2
D294,207 S * 2/1988 Noyes D6/677.1
D314,292 S * 2/1991 Nyman D6/680.2
D369,038 S * 4/1996 Lechleiter D6/680.2
D385,130 S * 10/1997 Woodward D6/680.2
D435,182 S * 12/2000 Mason D6/680.2
D445,273 S * 7/2001 Brown D6/712
6,443,317 B1 * 9/2002 Brozak, Jr. A47F 7/021
211/85.1
D500,417 S * 1/2005 Levin D6/680.2

FIG. 1 is a perspective view showing our new design for a sunglass rack,
FIG. 2 is a front view thereof
FIG. 3 is a rear view thereof,
FIG. 4 is a left side view thereof,
FIG. 5 is a right side view thereof,
FIG. 6 is a top view thereof,
FIG. 7 is a bottom view thereof; and,
FIG. 8 is a perspective view with an upper part shown in an open position.
The portions shown in dotted lines are for illustrative purposes only, forming no part of the claimed design.

1 Claim, 5 Drawing Sheets

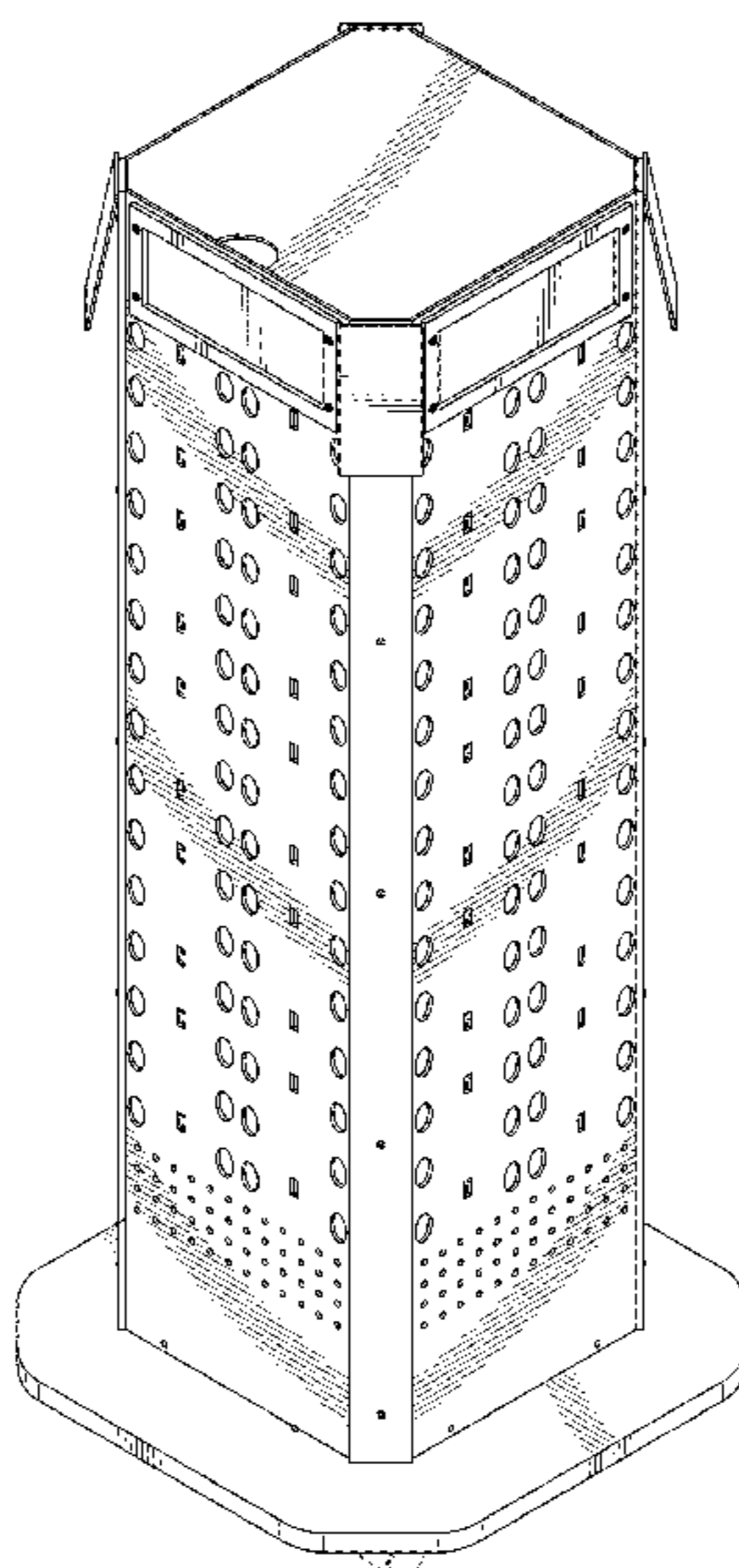
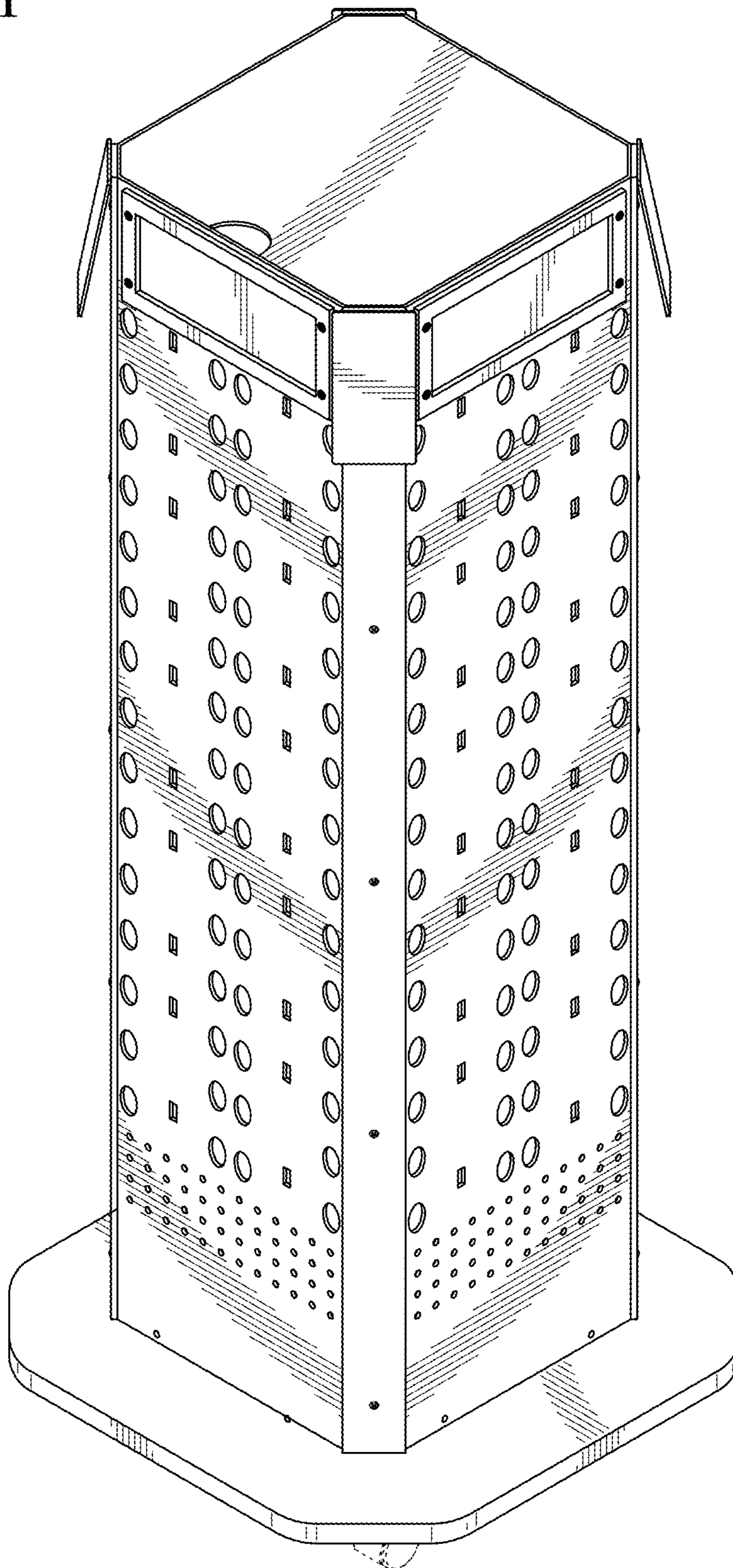


FIG. 1



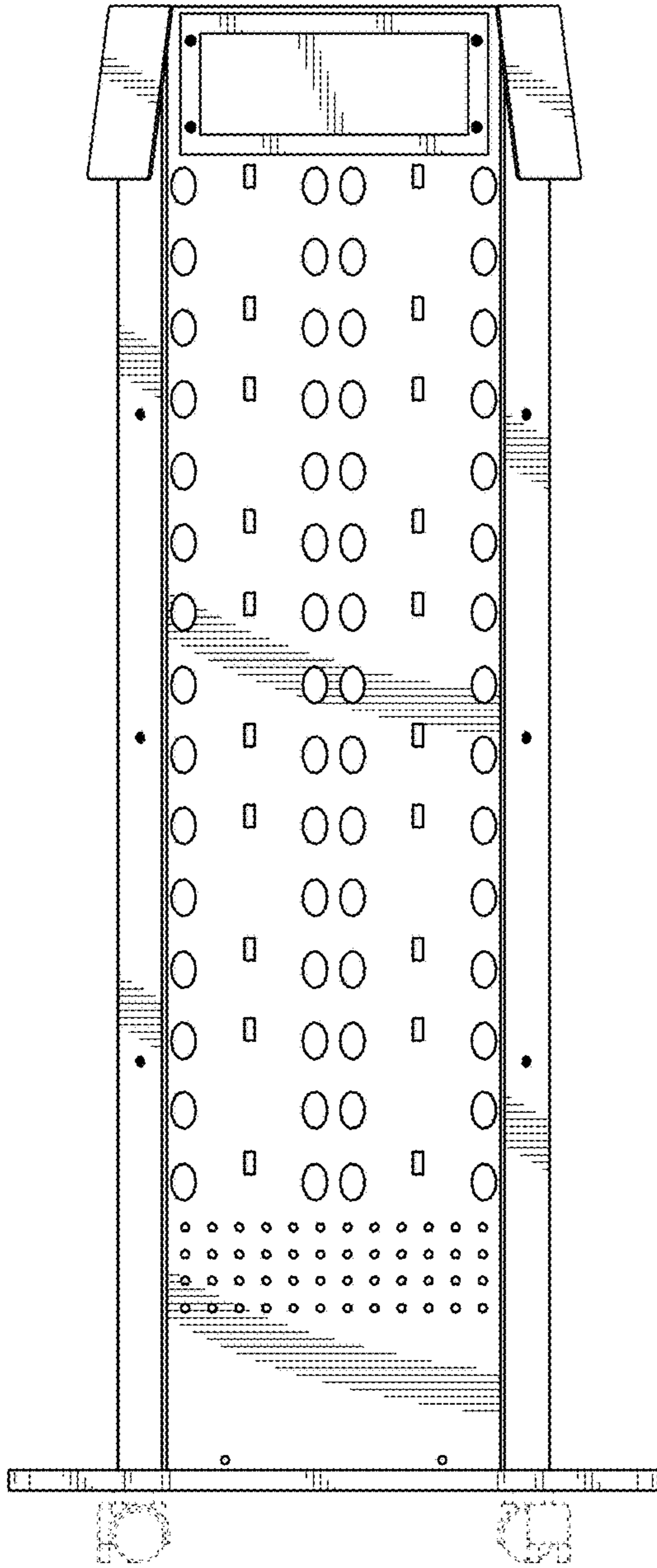


FIG. 2

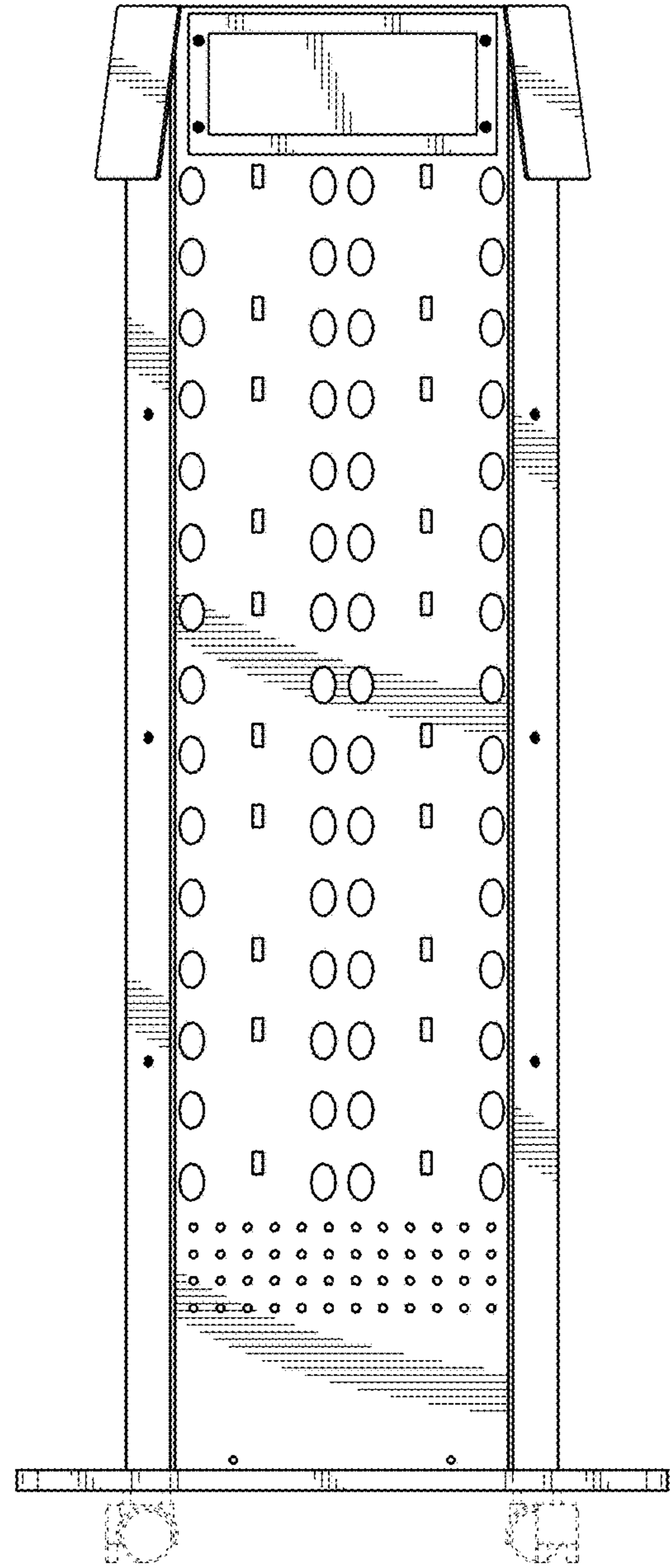


FIG. 3

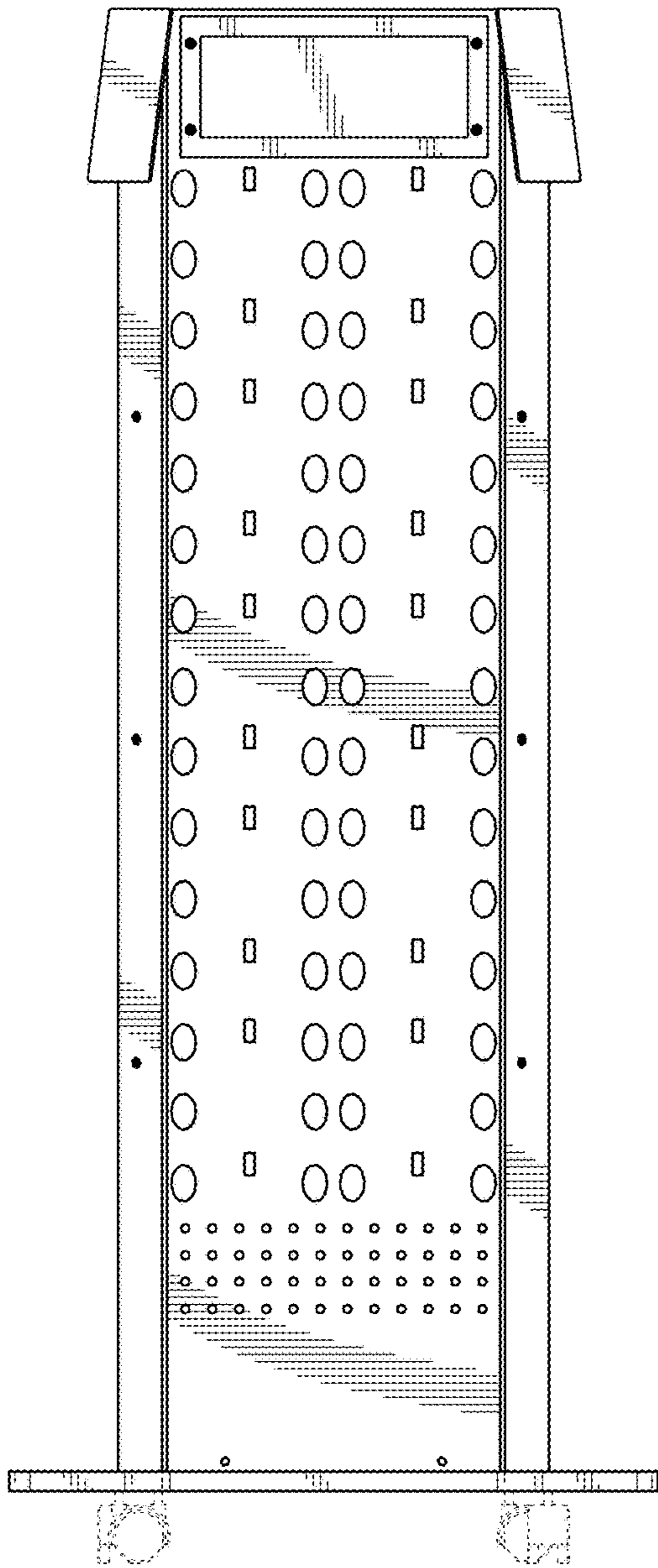


FIG. 4

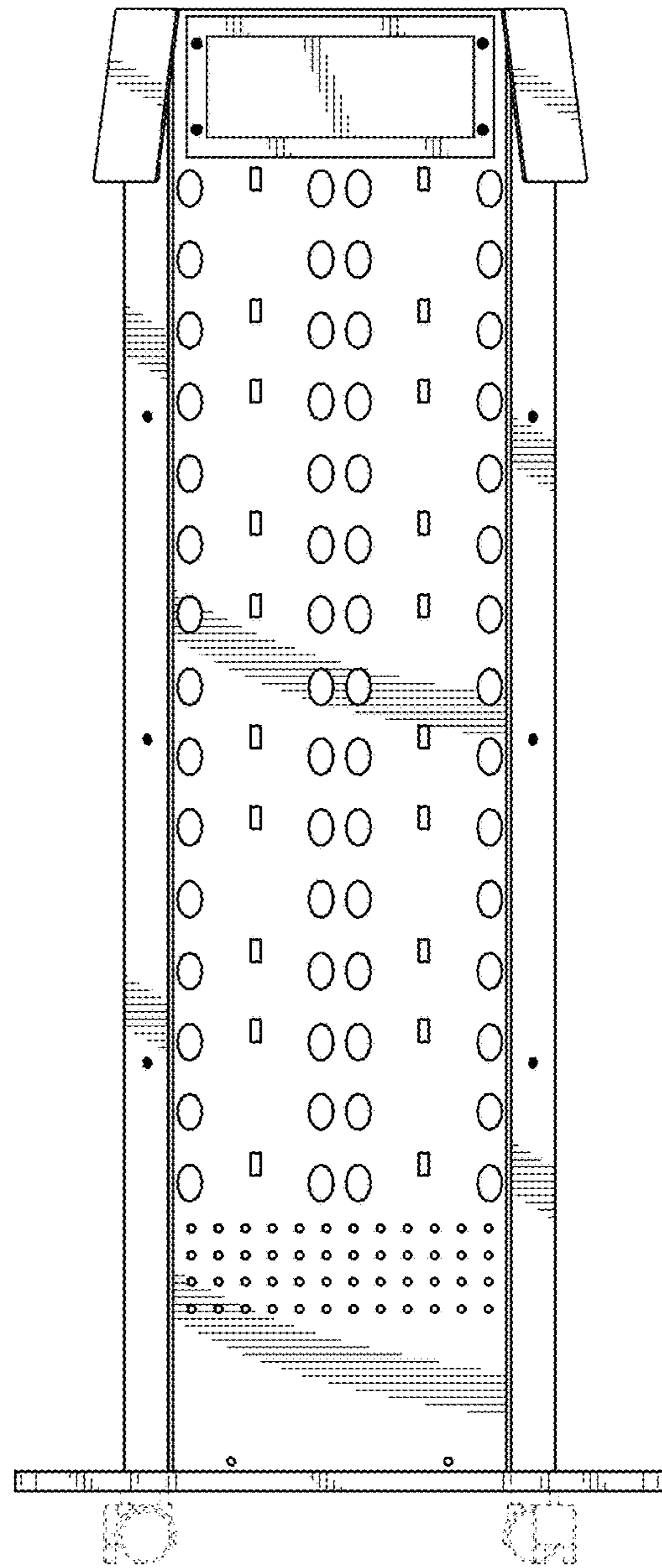


FIG. 5

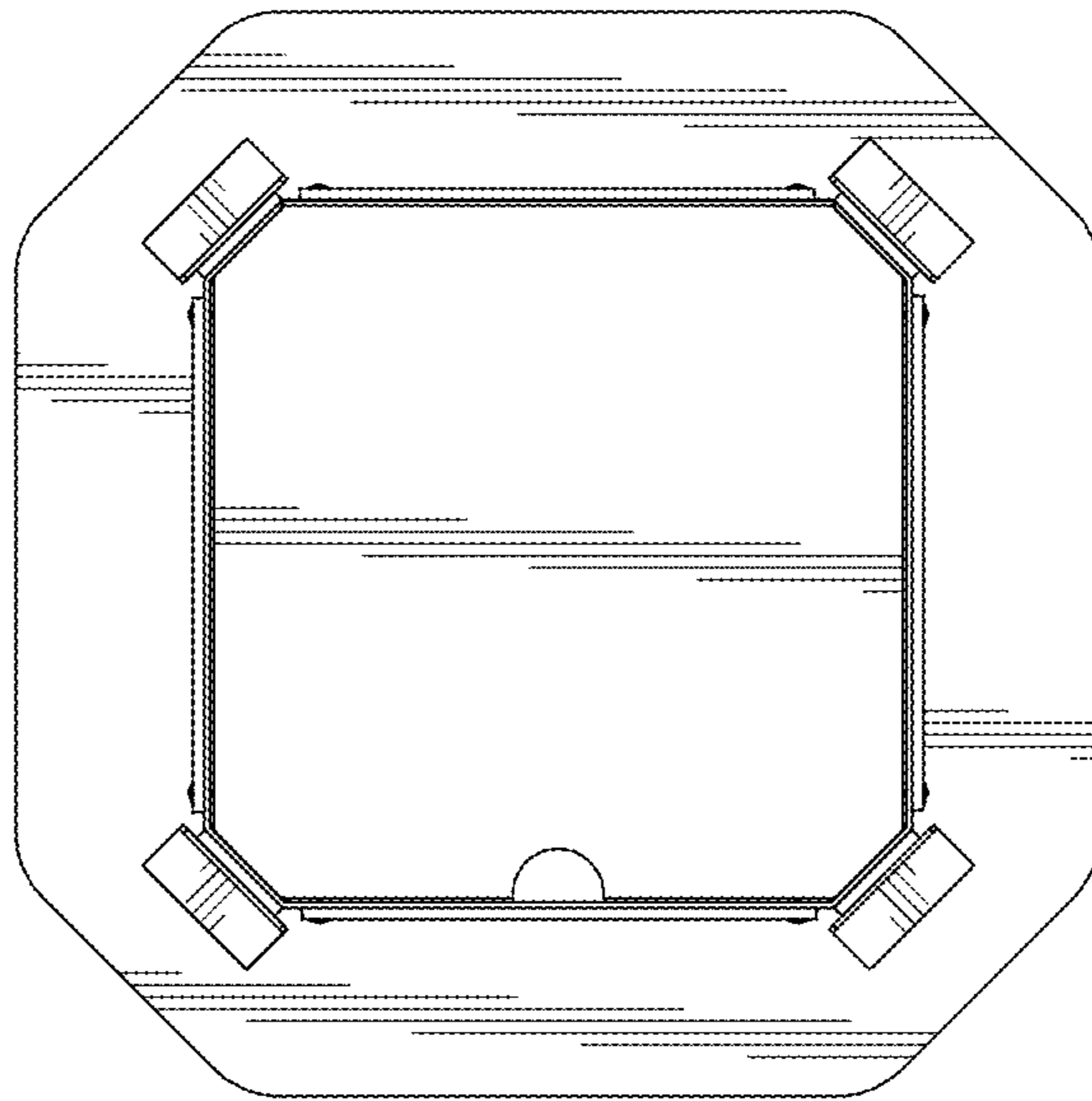


FIG. 6

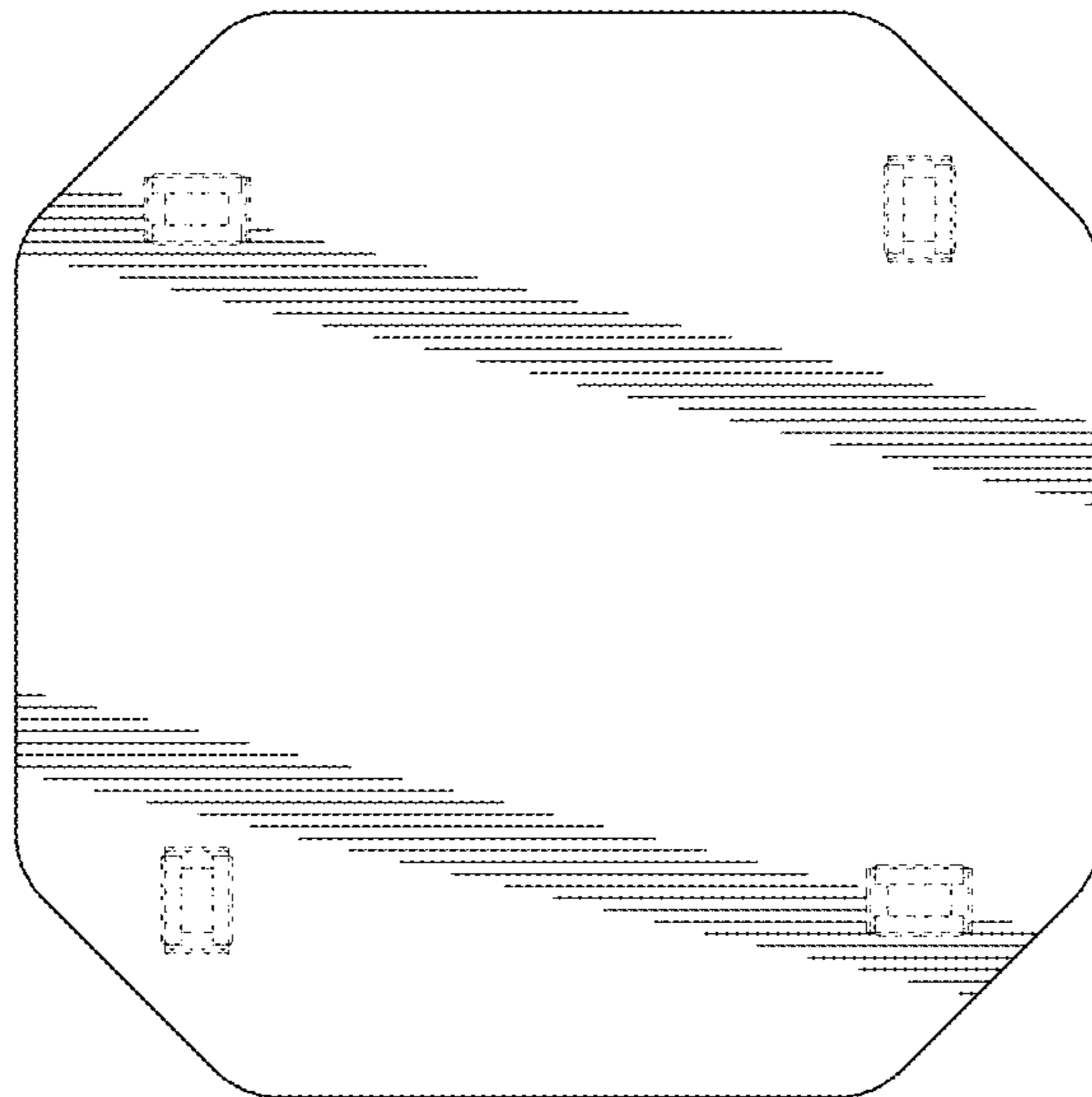


FIG. 7

FIG. 8

