



US00D783319S

(12) **United States Design Patent**
Udagawa et al.

(10) **Patent No.:** **US D783,319 S**
(45) **Date of Patent:** **** Apr. 11, 2017**

- (54) **ARTICLE OF FURNITURE**
- (71) Applicant: **Knoll, Inc.**, East Greenville, PA (US)
- (72) Inventors: **Masamichi Udagawa**, New York, NY (US); **Sigrid Moeslinger**, New York, NY (US); **Benjamin A. Pardo**, New York, NY (US)
- (73) Assignee: **Knoll, Inc.**, East Greenville, PA (US)
- (**) Term: **15 Years**
- (21) Appl. No.: **29/529,041**
- (22) Filed: **Jun. 3, 2015**
- (51) **LOC (10) Cl.** **06-04**
- (52) **U.S. Cl.**
USPC **D6/672**
- (58) **Field of Classification Search**
USPC D6/512, 567, 684, 672, 675.2, 676;
D13/133, 139.1–139.8, 137.2; D25/67,
D25/68
CPC H01L 23/552; H01B 11/04; H05K 9/0018;
H05K 9/0032; H05K 9/0015; B25H 1/12;
B25H 1/04; B25H 1/06; E06C 7/14;
E04G 1/32; E04G 1/34
See application file for complete search history.

- 5,119,903 A * 6/1992 Ulshafer, Jr. B25H 1/06
182/155
- D379,236 S * 5/1997 Sheftel D25/67
- D380,558 S * 7/1997 Clavin D25/64
- 5,971,508 A * 10/1999 Deimen A47B 21/06
108/50.02
- 6,059,071 A * 5/2000 Appezzato B25H 1/06
182/181.1
- 6,374,548 B1 * 4/2002 Ruedinger A47B 21/06
52/36.1
- D515,032 S * 2/2006 Petrick D13/139.2
- D535,257 S * 1/2007 Byrne D13/139.4
- D634,858 S * 3/2011 Landau D25/67
- D638,141 S * 5/2011 Busschaert D25/67
- D682,213 S * 5/2013 Byrne D13/139.4

(Continued)

Primary Examiner — John Windmuller
Assistant Examiner — Steven Czyz
(74) *Attorney, Agent, or Firm* — Buchanan Ingersoll & Rooney PC

(57) **CLAIM**

The ornamental design for an article of furniture, as shown and described.

DESCRIPTION

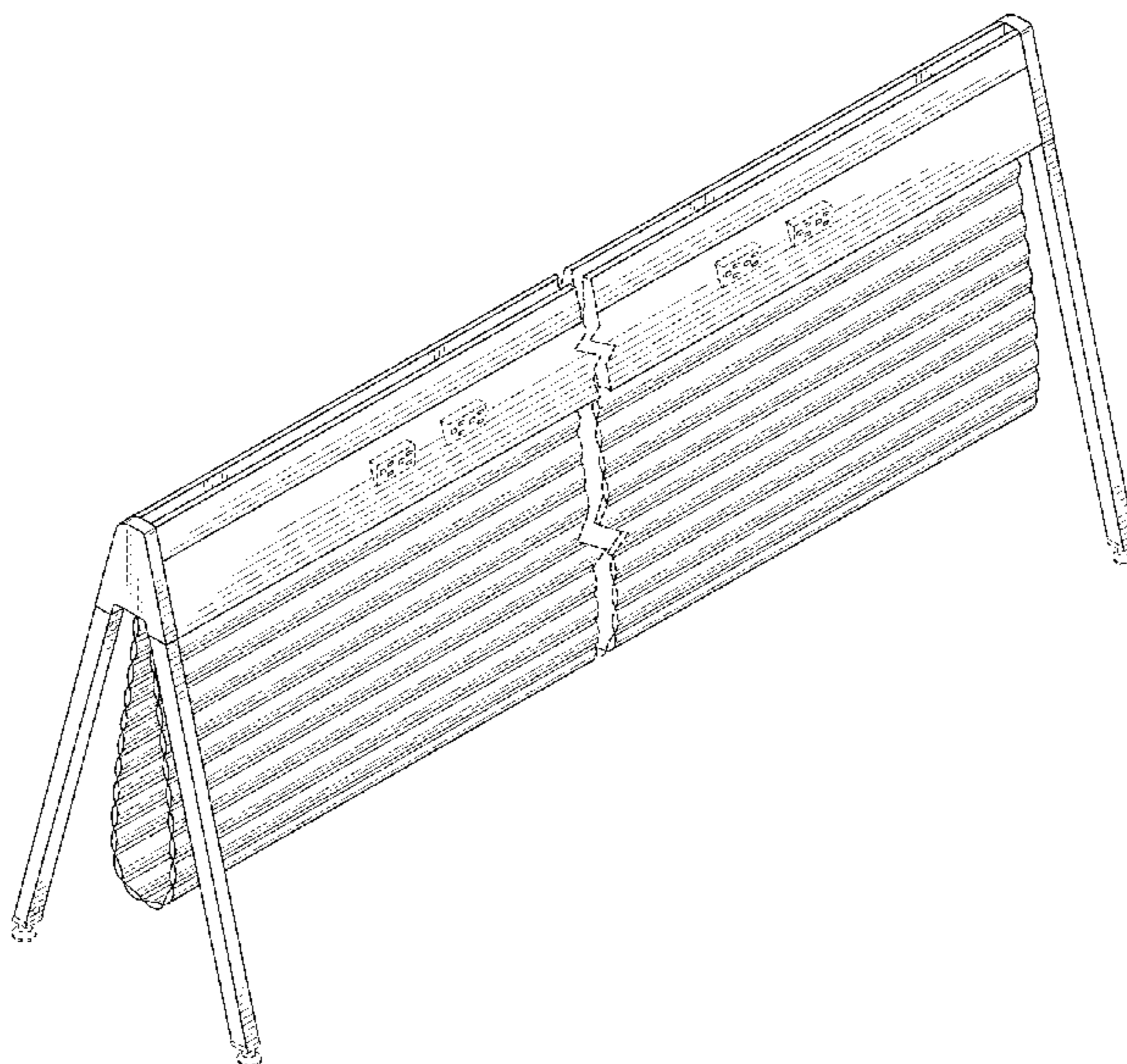
FIG. 1 is a perspective view of an article of furniture showing our new design;
FIG. 2 is a front elevation view thereof;
FIG. 3 is a rear elevation view thereof;
FIG. 4 is a top plan view thereof;
FIG. 5 is a bottom plan view thereof;
FIG. 6 is a left side elevation view thereof; and,
FIG. 7 is a right side elevation view thereof.
The broken away portions shown in the drawing figures are meant to indicate indeterminate length and that no specific length other than what is shown is claimed. The broken lines depict portions of the article that form no part of the claimed design.

1 Claim, 5 Drawing Sheets

(56) **References Cited**

U.S. PATENT DOCUMENTS

- 3,734,235 A * 5/1973 Lanier B25H 1/06
182/129
- D247,894 S * 5/1978 O'Donnell D13/139.4
- 4,884,658 A * 12/1989 Banfield B25H 1/06
182/129
- D318,738 S * 7/1991 Clodfelter, Sr. D13/139.2
- 5,052,517 A * 10/1991 Wallman B25H 1/06
182/155



(56)

References Cited

U.S. PATENT DOCUMENTS

D691,953	S *	10/2013	Chayer	D13/139.4
D721,442	S *	1/2015	Wang	D25/67
2005/0101193	A1 *	5/2005	Godard	H01R 25/00 439/652
2009/0242329	A1 *	10/2009	Krauss	B25H 1/06 182/153
2010/0084221	A1 *	4/2010	Cuccio	B25H 1/08 182/129
2010/0282540	A1 *	11/2010	Moss	B25H 1/06 182/119
2010/0288585	A1 *	11/2010	Katz	B25H 1/06 182/155

* cited by examiner

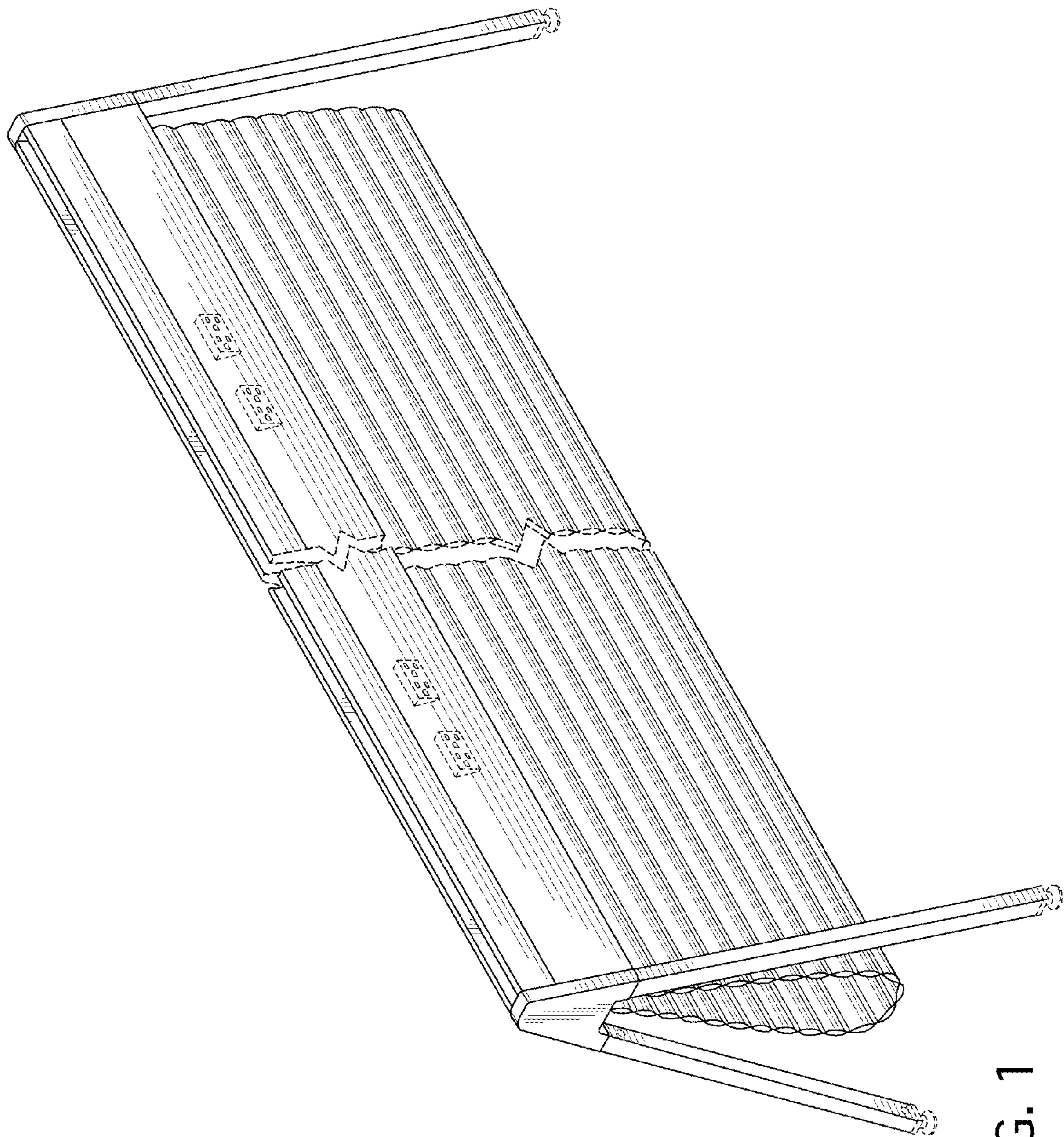


FIG. 1

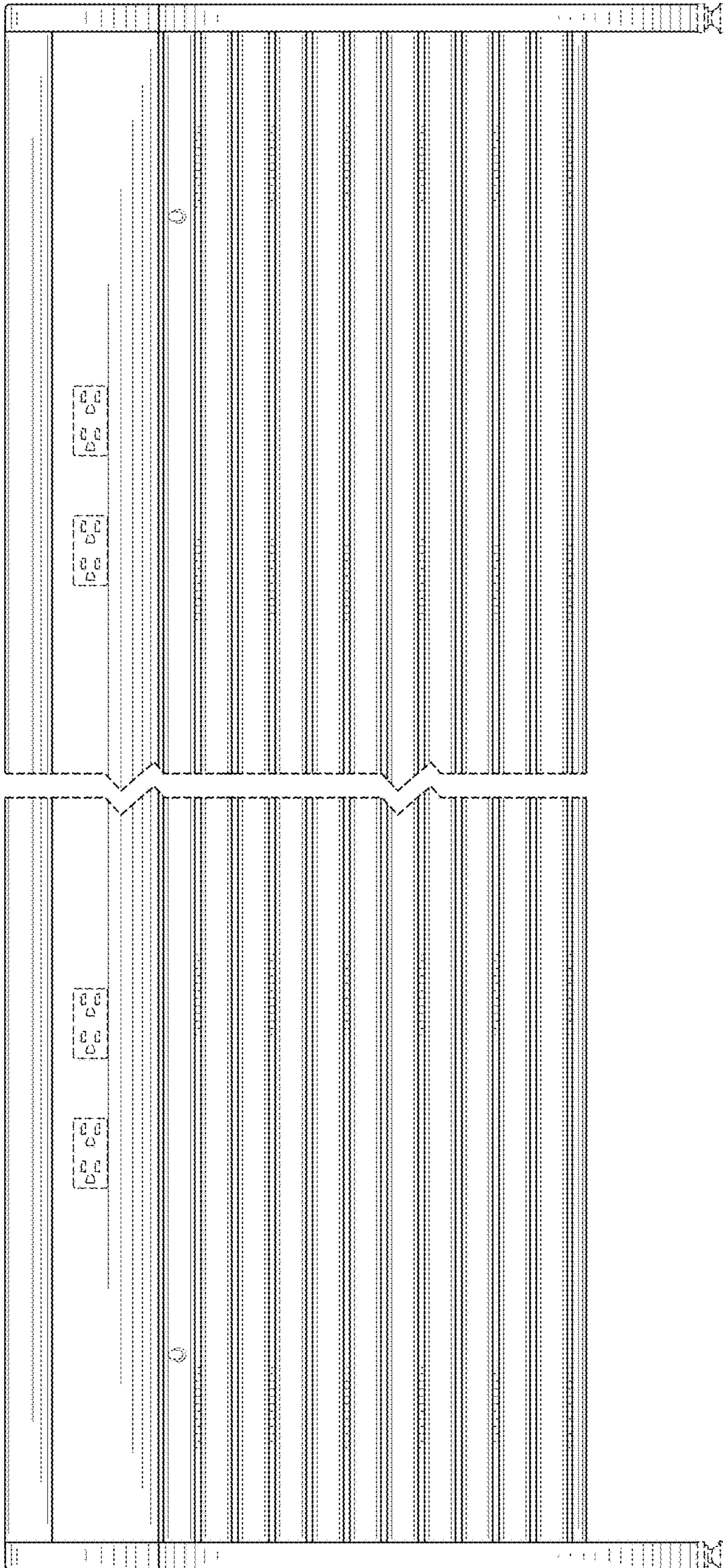


FIG. 2

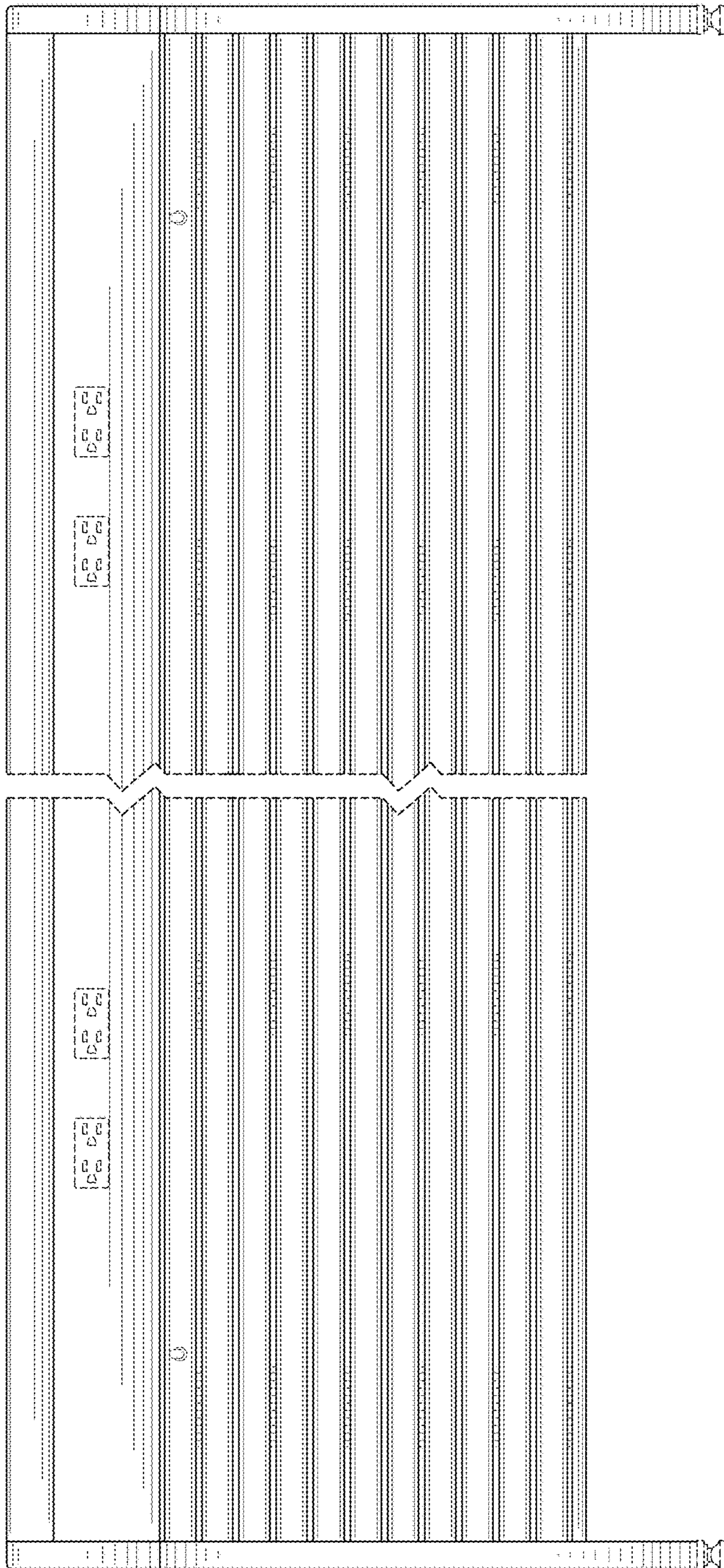
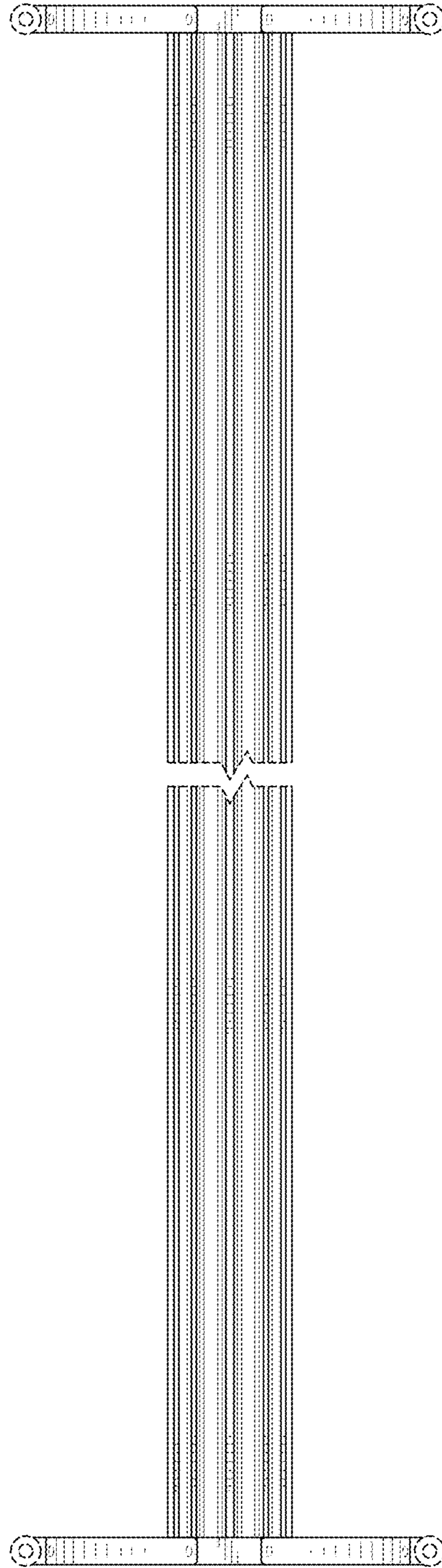
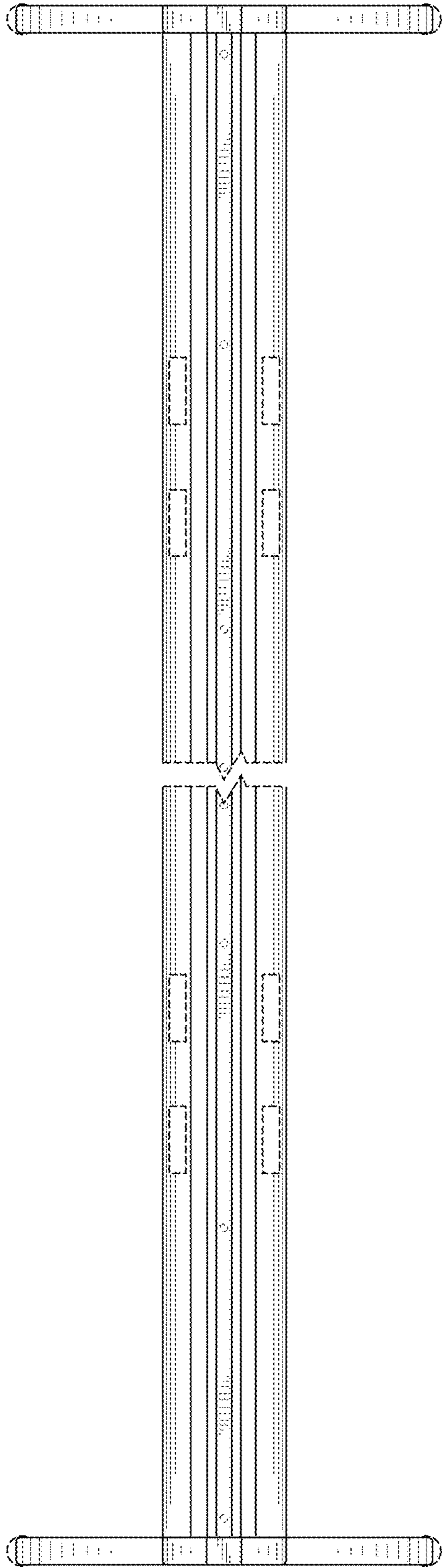


FIG. 3



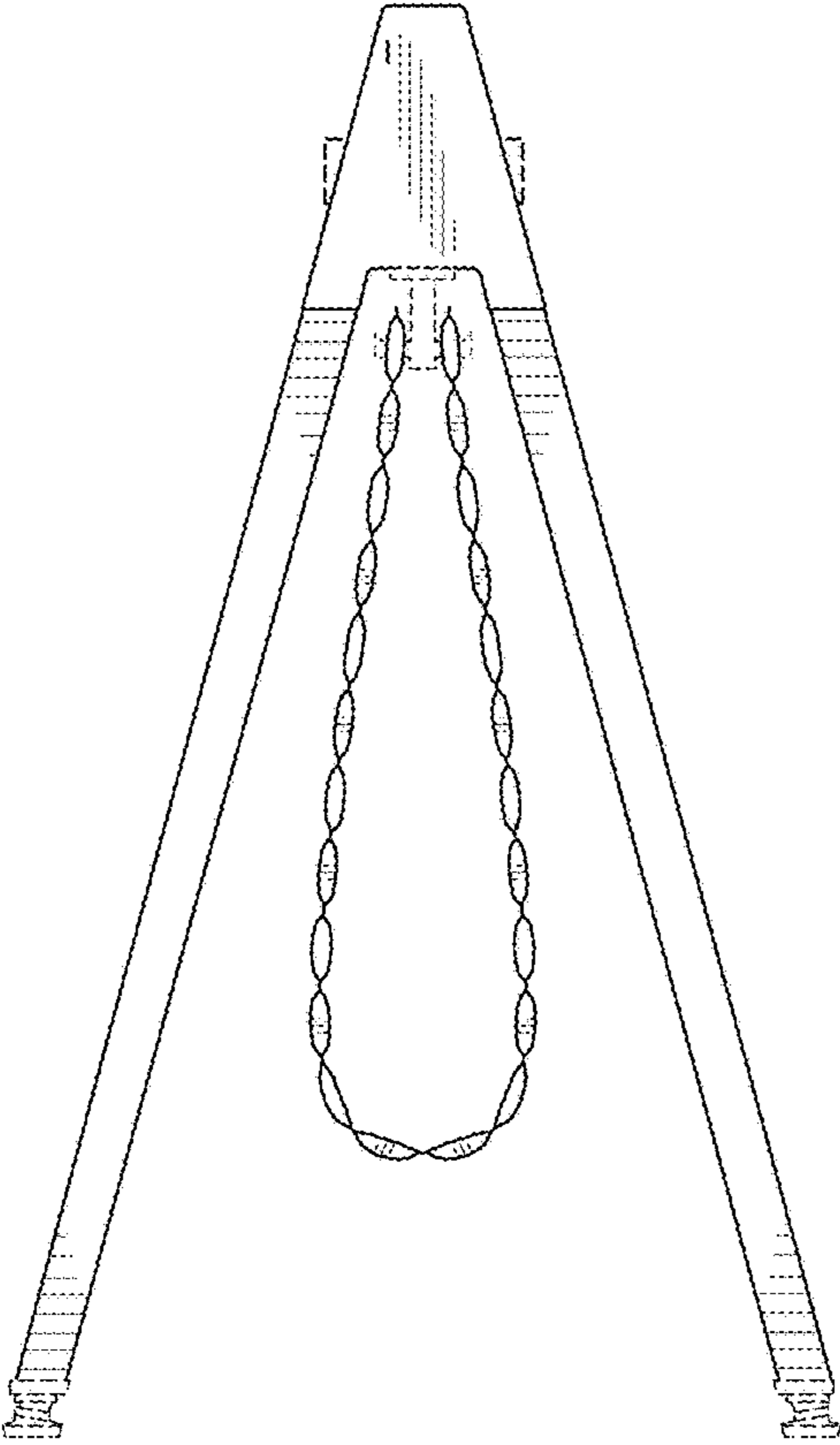


FIG. 6

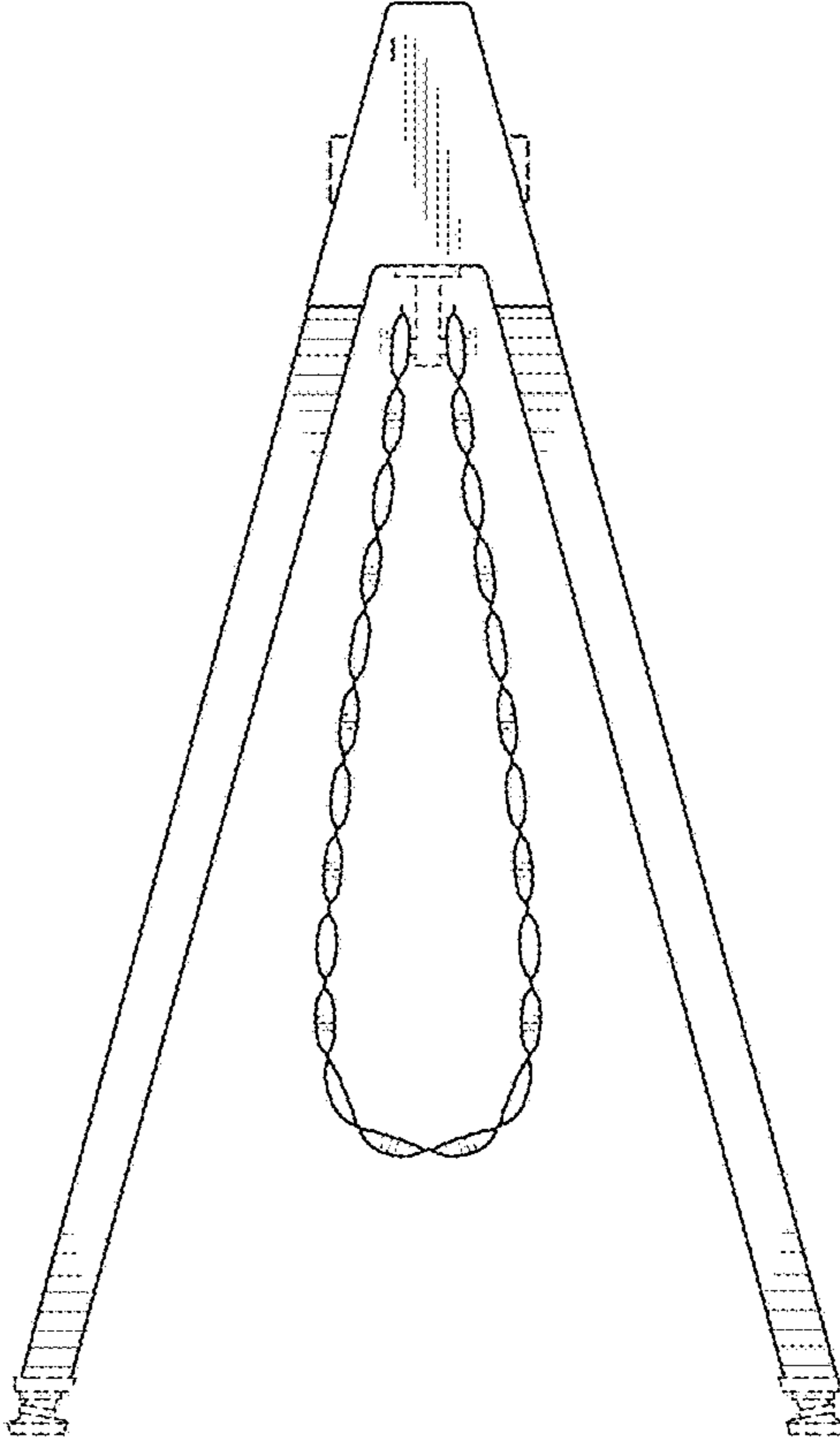


FIG. 7