



US00D783318S

(12) **United States Design Patent**
Alvarez

(10) **Patent No.:** **US D783,318 S**

(45) **Date of Patent:** **** Apr. 11, 2017**

(54) **CORNER CABINET WITH EXTENDING
SHELVES**

D638,639 S * 5/2011 Ma D6/678.1
D706,559 S * 6/2014 Muller D6/678.1

* cited by examiner

(71) Applicant: **Arelhy Arroyo Alvarez**, Santa Barbara,
CA (US)

Primary Examiner — Mimoso De

(74) *Attorney, Agent, or Firm* — Felix L. Fischer

(72) Inventor: **Arelhy Arroyo Alvarez**, Santa Barbara,
CA (US)

(57) **CLAIM**

The ornamental design for a corner cabinet with extending
shelves, as shown and described.

(**) Term: **15 Years**

DESCRIPTION

(21) Appl. No.: **29/530,558**

(22) Filed: **Jun. 17, 2015**

(51) **LOC (10) Cl.** **06-04**

(52) **U.S. Cl.**
USPC **D6/662.1**

(58) **Field of Classification Search**
USPC D6/657, 662, 662.1, 663, 664, 669, 671,
D6/671.1, 671.2, 678.1
CPC A47F 5/00; A47F 5/0018; A47F 5/0081;
A47F 5/11; A47F 5/112; A47F 5/116
See application file for complete search history.

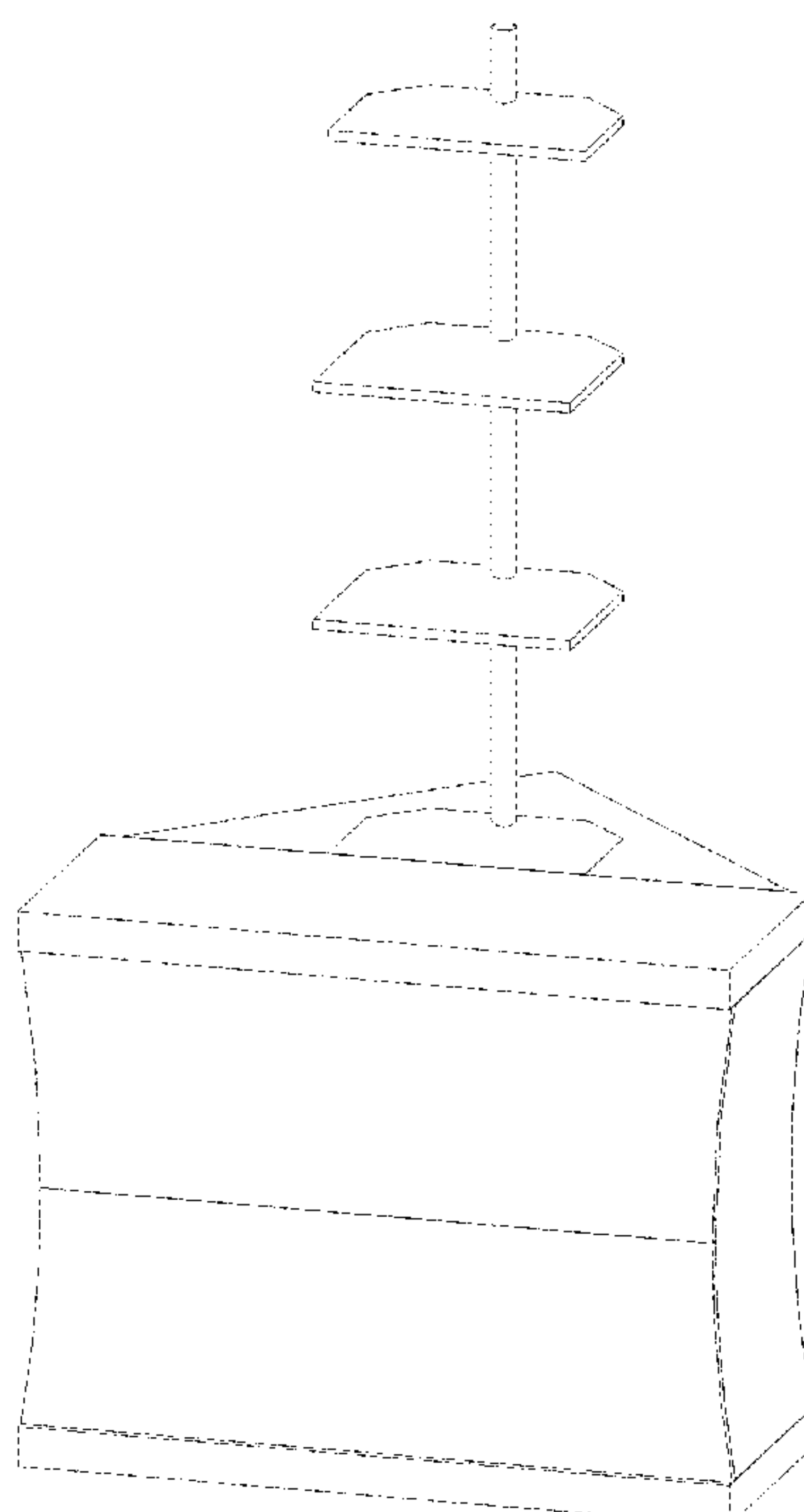
FIG. 1 is a top front perspective view of a for a corner cabinet according to the present design with the shelves in an extended position;
FIG. 2 is a top rear perspective view of the for the corner cabinet of FIG. 1;
FIG. 3 a front view of the corner cabinet of FIG. 1;
FIG. 4 is a rear view of the corner cabinet of FIG. 1;
FIG. 5 is a left side view of the corner cabinet of FIG. 1;
FIG. 6 a right side view of the corner cabinet of FIG. 1;
FIG. 7 a top view of the corner cabinet of FIG. 1;
FIG. 8 is a top front perspective view of a for a corner cabinet according to the present design with the shelves in a retracted position;
FIG. 9 is a top rear perspective view of the for the corner cabinet of FIG. 8;
FIG. 10 a front view of the corner cabinet of FIG. 8;
FIG. 11 is a rear view of the corner cabinet of FIG. 8;
FIG. 12 is a left side view of the corner cabinet of FIG. 8;
FIG. 13 is a right side view of the corner cabinet of FIG. 8;
FIG. 14 a top view of the corner cabinet of FIG. 8; and,
FIG. 15 a bottom view of the corner cabinet.

(56) **References Cited**

U.S. PATENT DOCUMENTS

4,519,319 A * 5/1985 Howlett A47F 5/116
108/180
D441,571 S * 5/2001 Heiny D6/678.1
D505,576 S * 5/2005 Chang D6/678.1
D546,095 S * 7/2007 Sexton D6/662.1
D560,401 S * 1/2008 Hoglan D6/678.1
D633,313 S * 3/2011 Ma D6/678.1

1 Claim, 15 Drawing Sheets



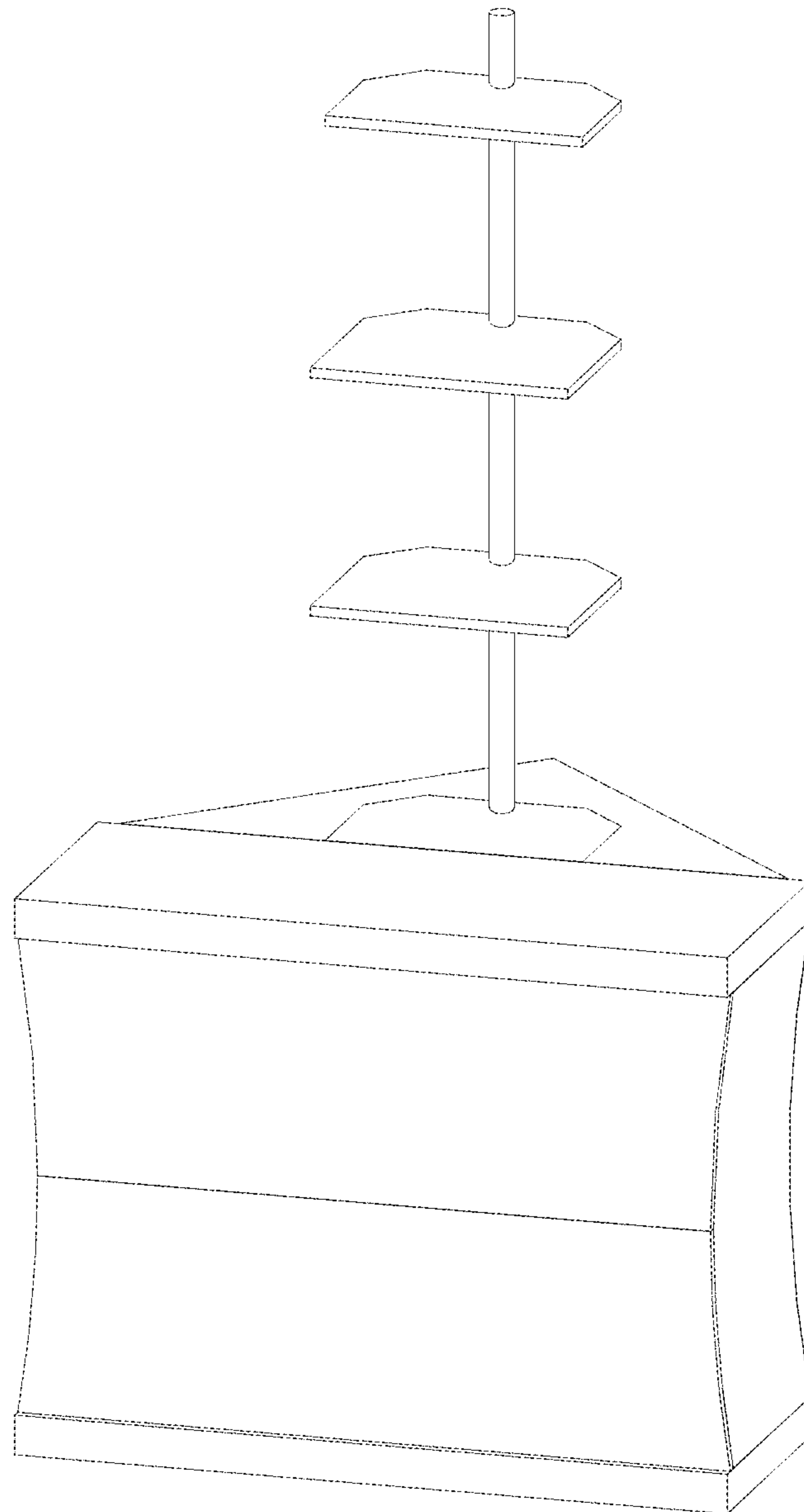


FIG. 1

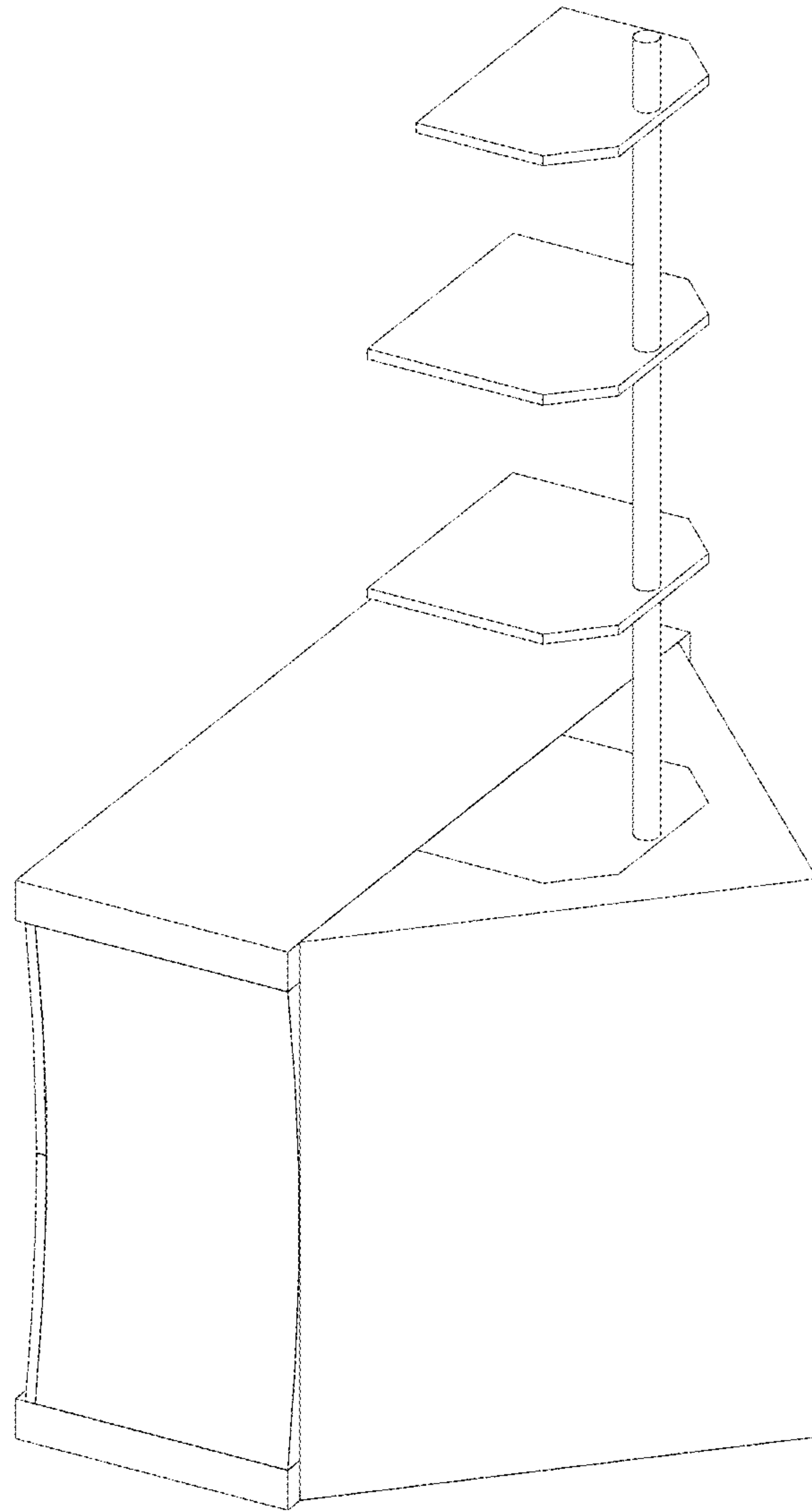


FIG.2

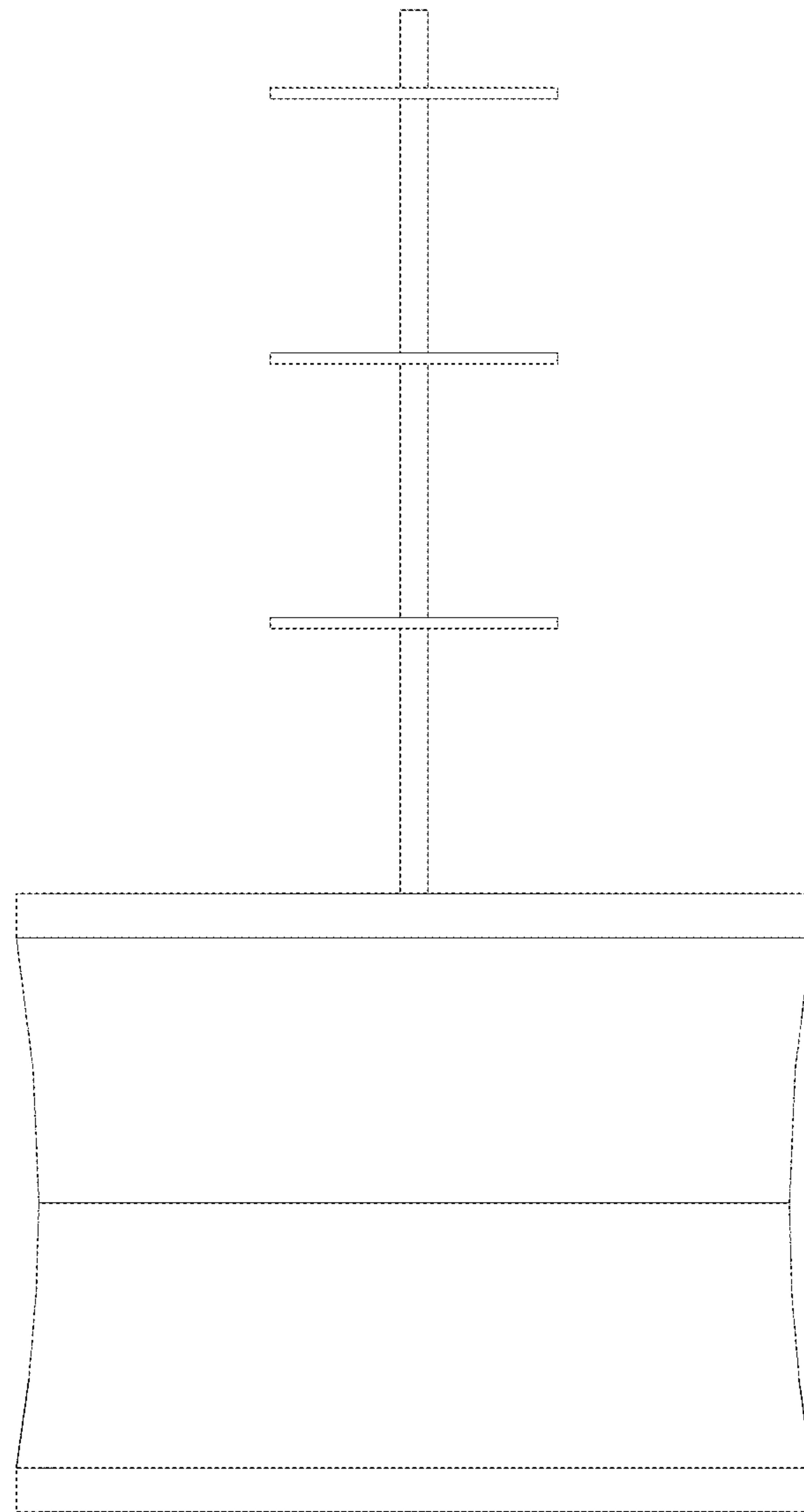


FIG. 3

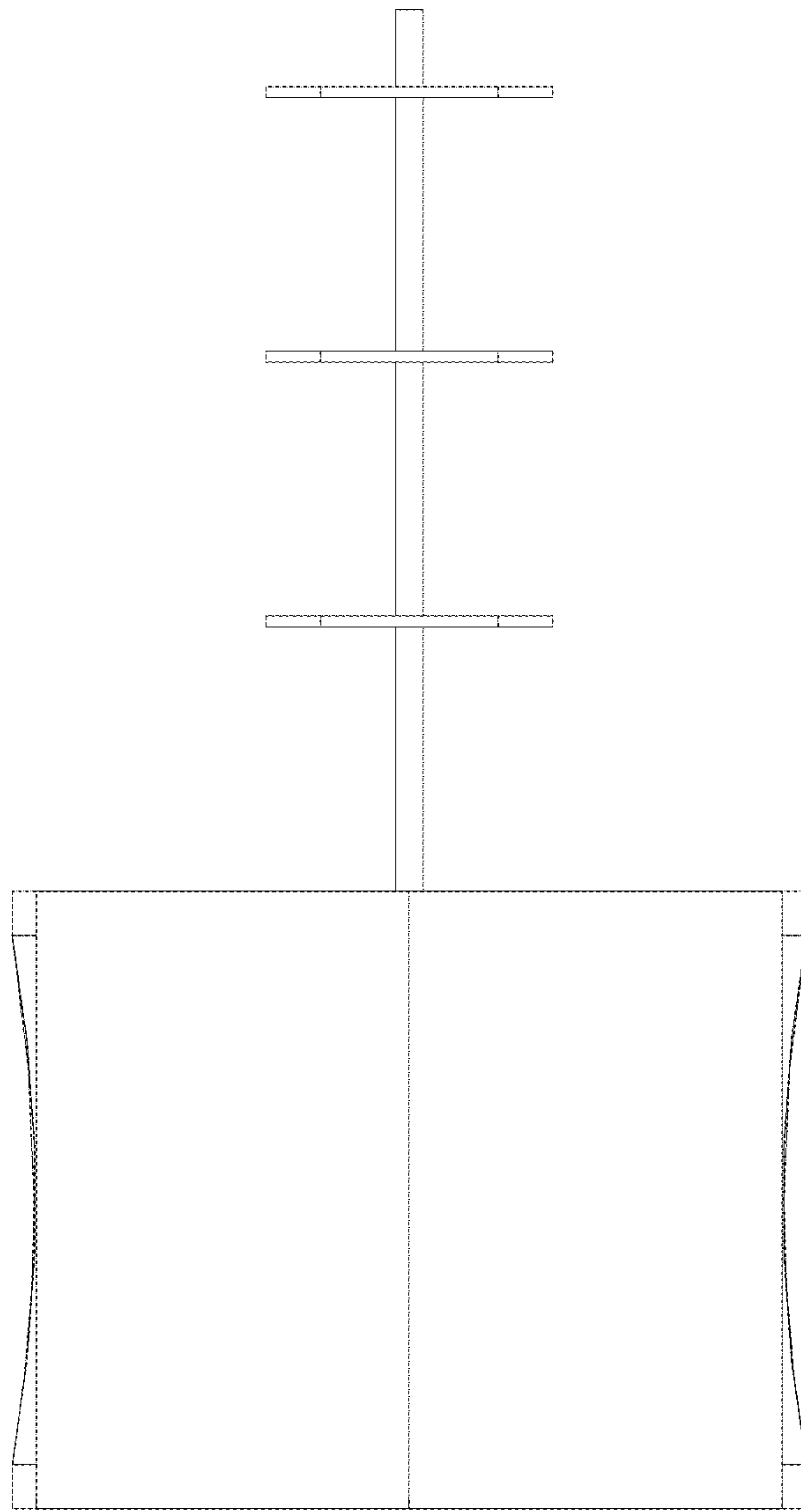


FIG. 4

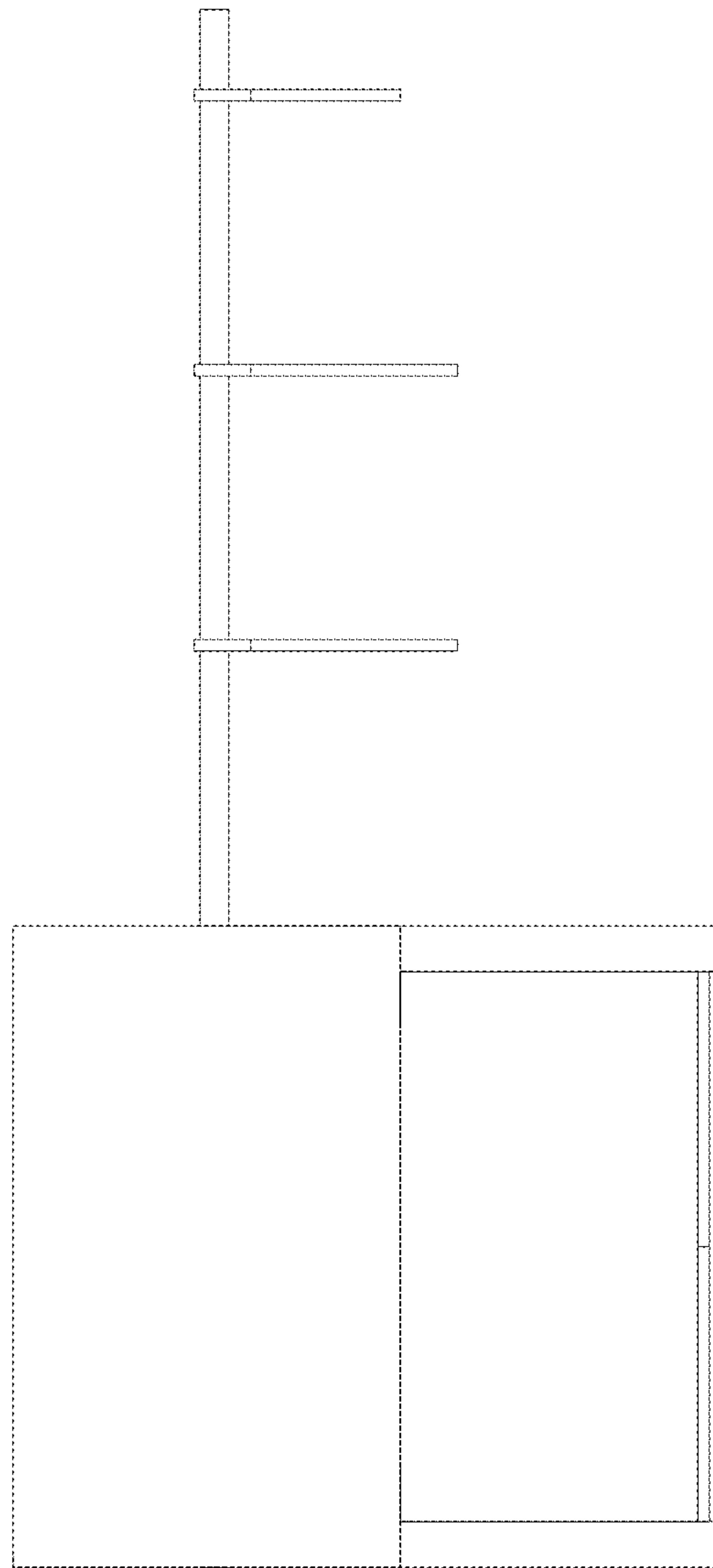


FIG.5

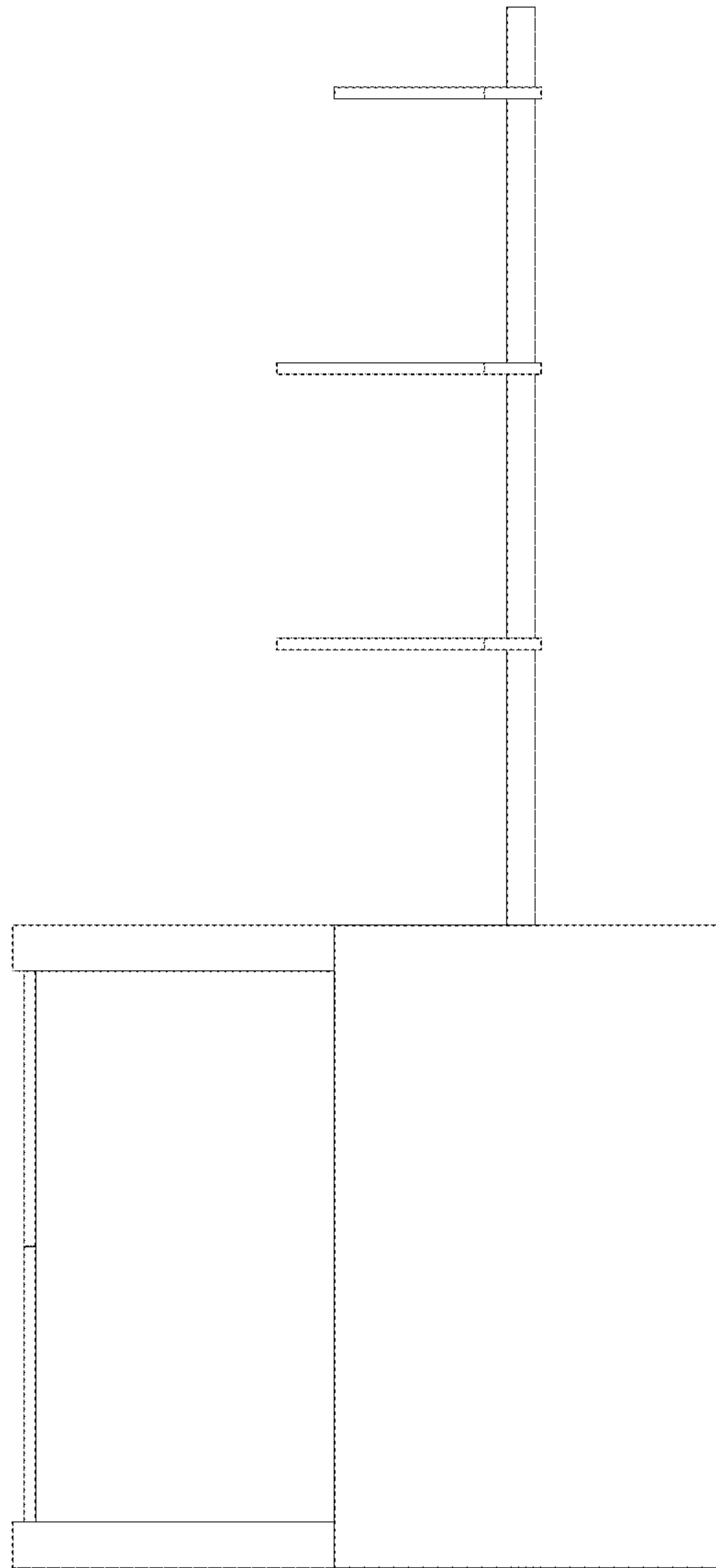


FIG. 6

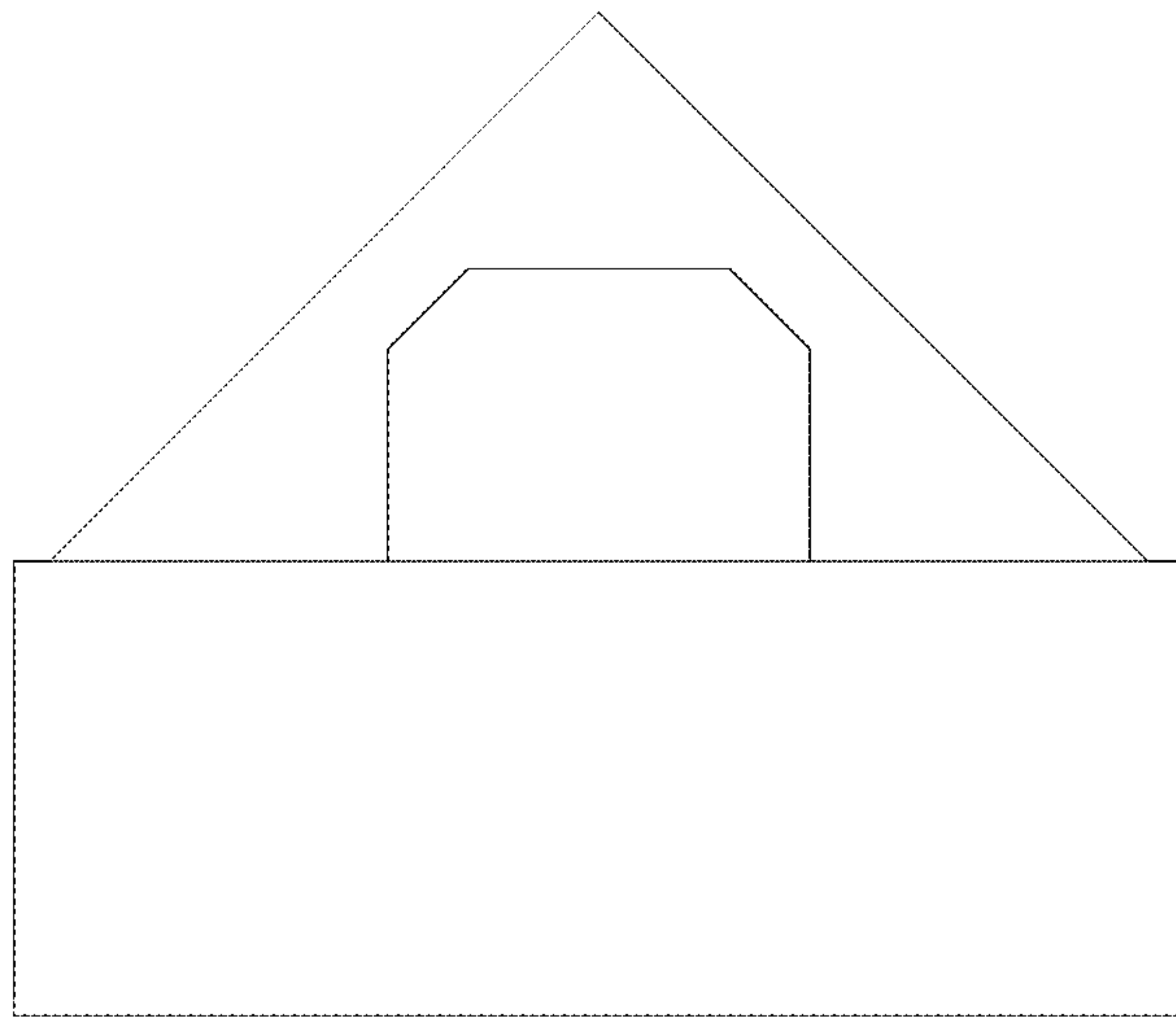


FIG. 7

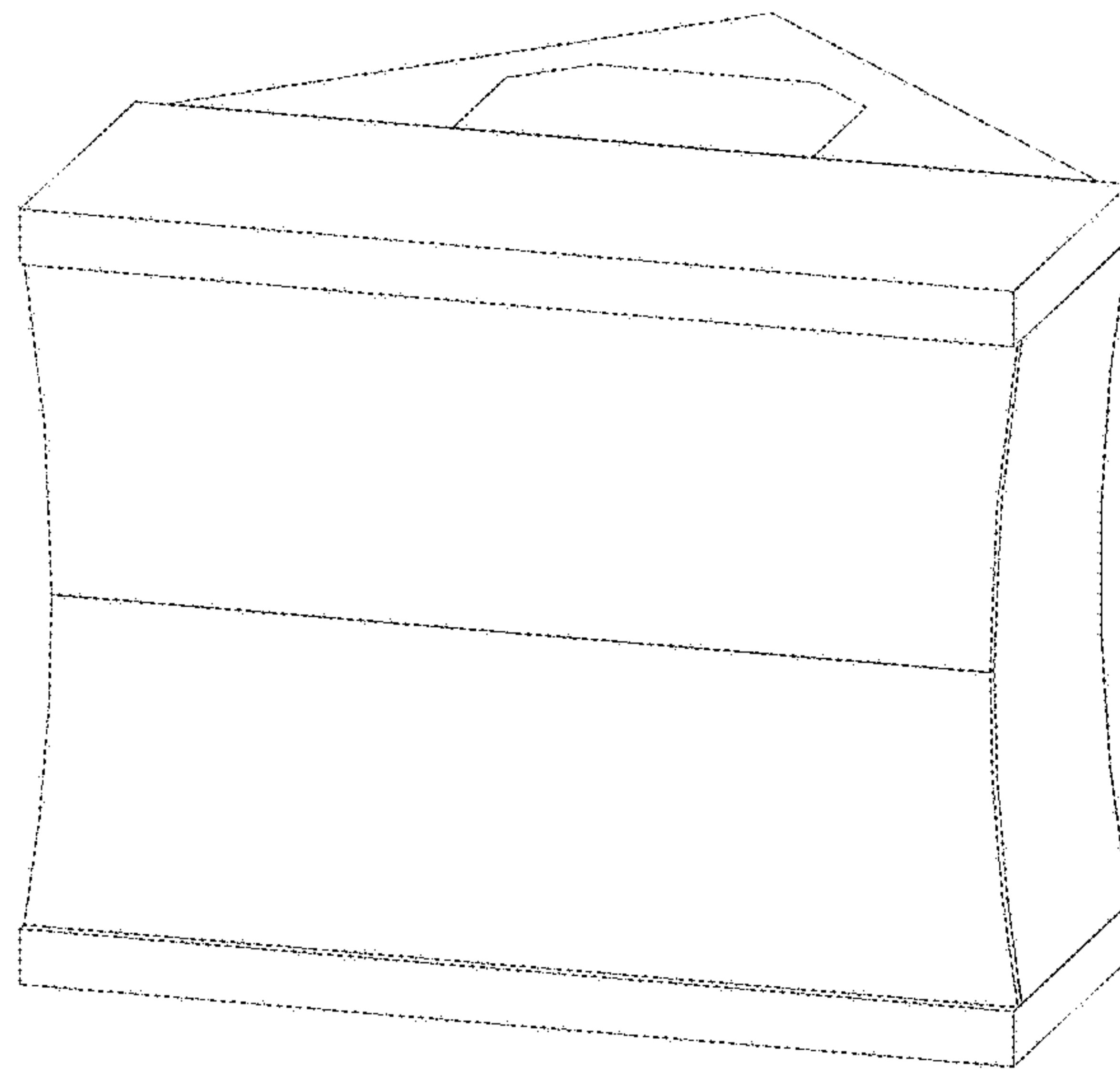


FIG. 8

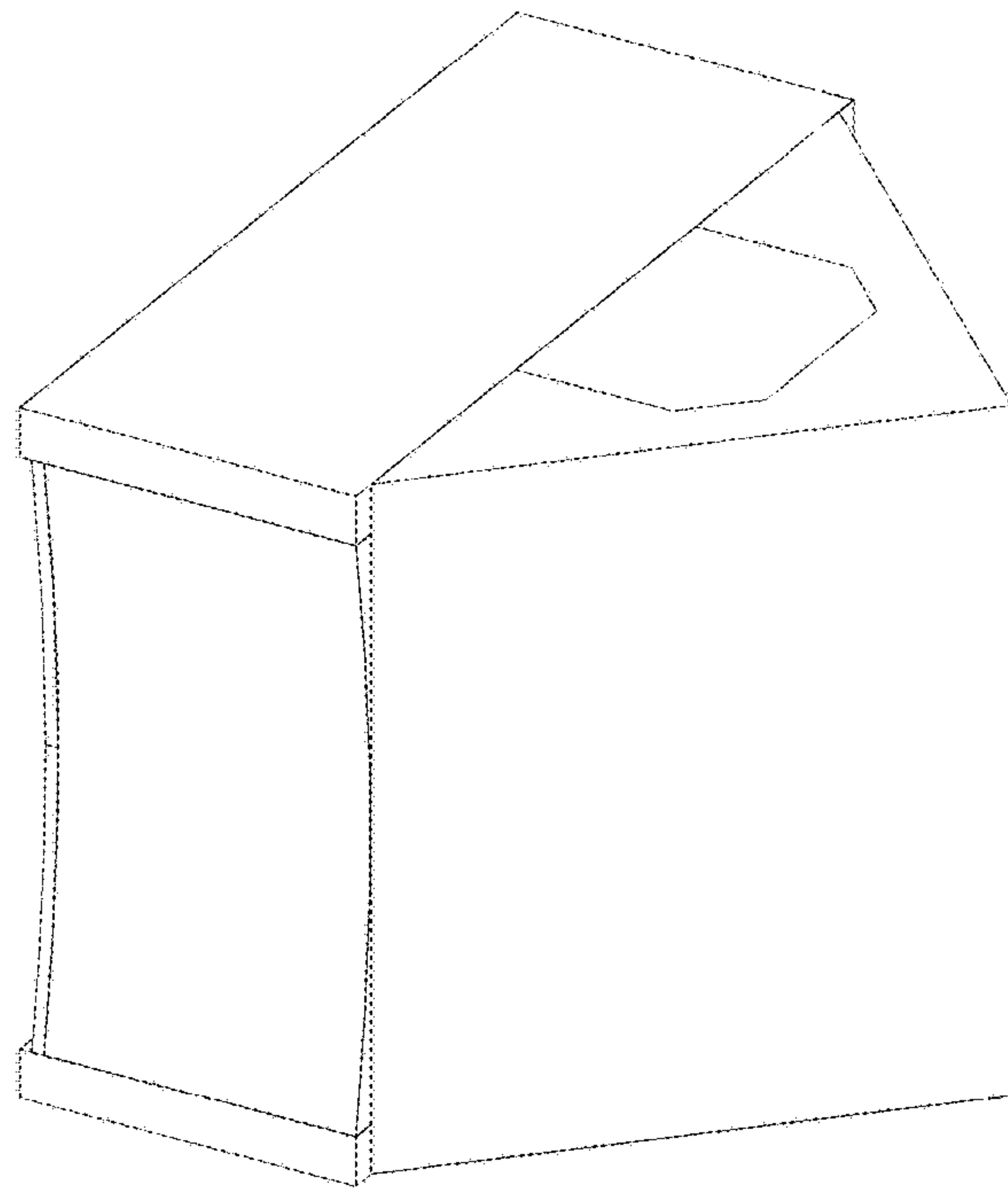


FIG. 9

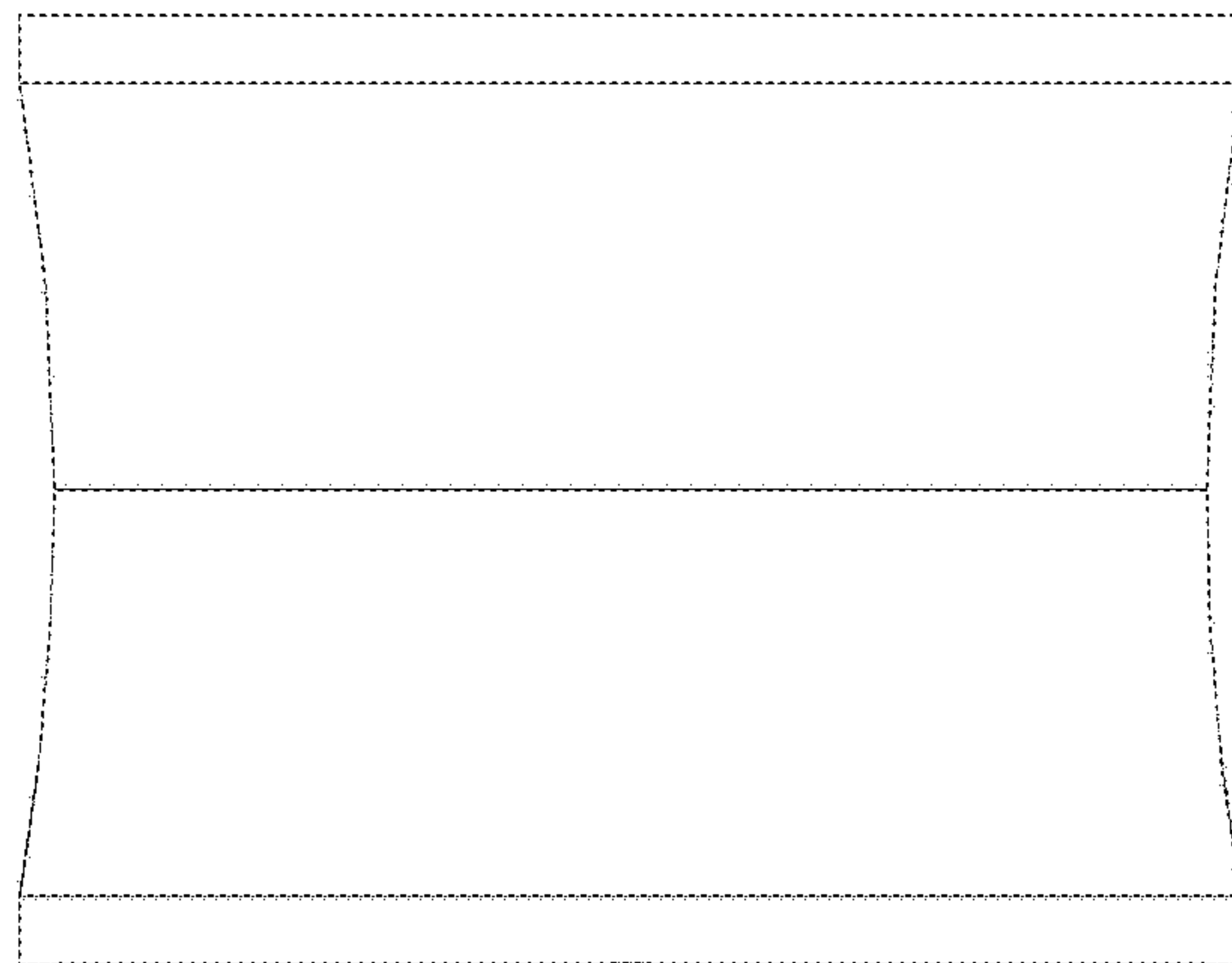


FIG. 10

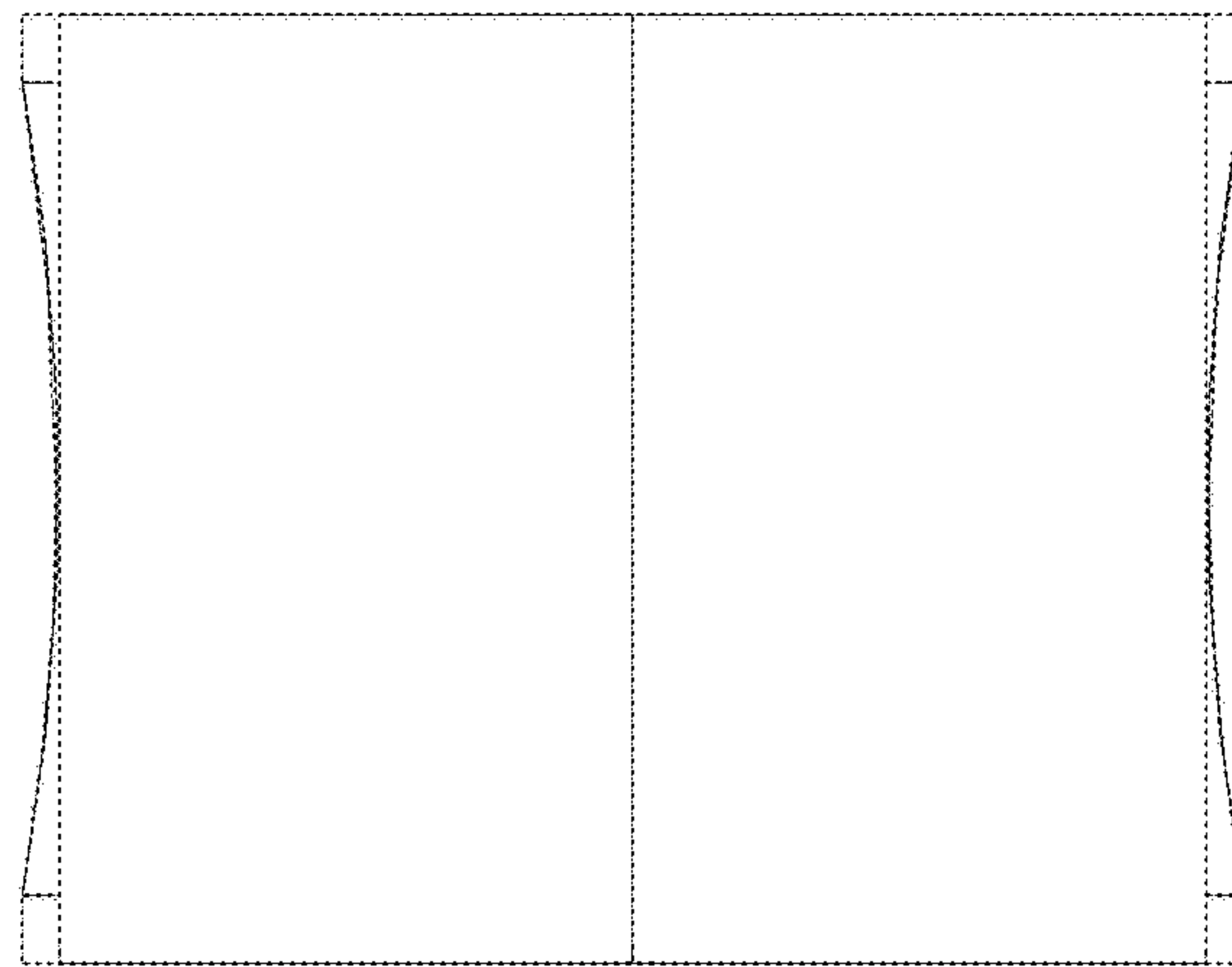


FIG. 11

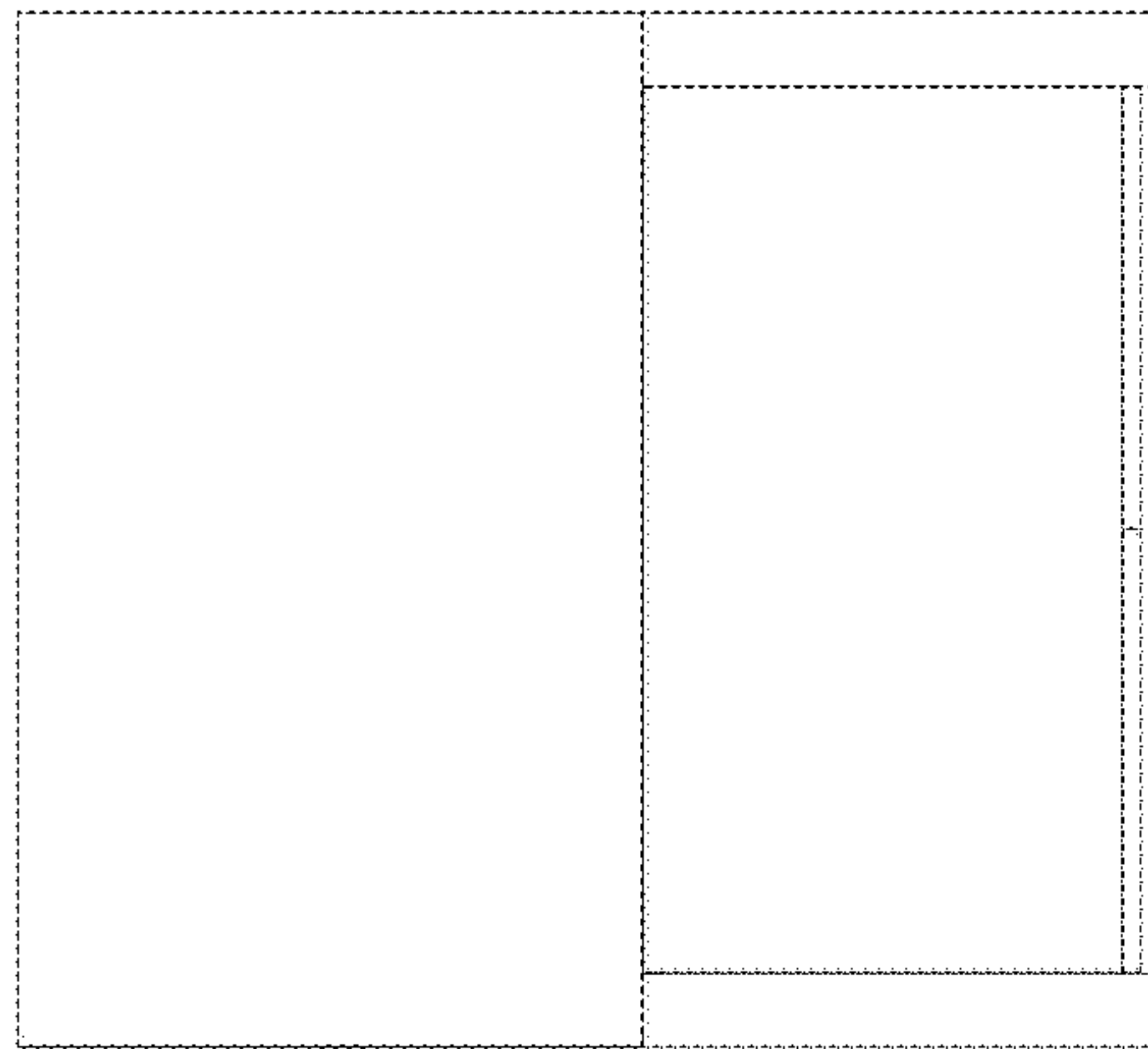


FIG. 12

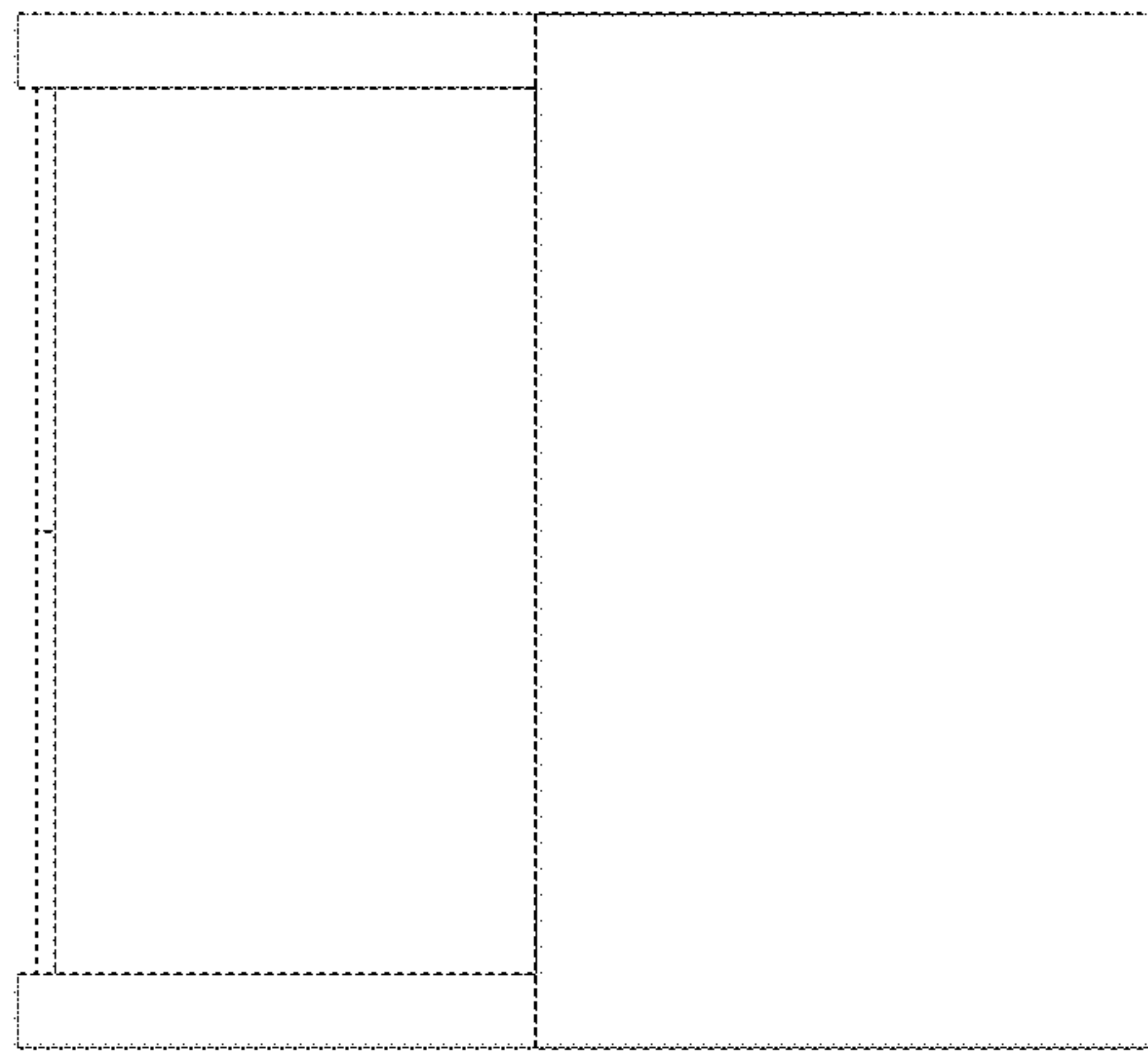


FIG. 13

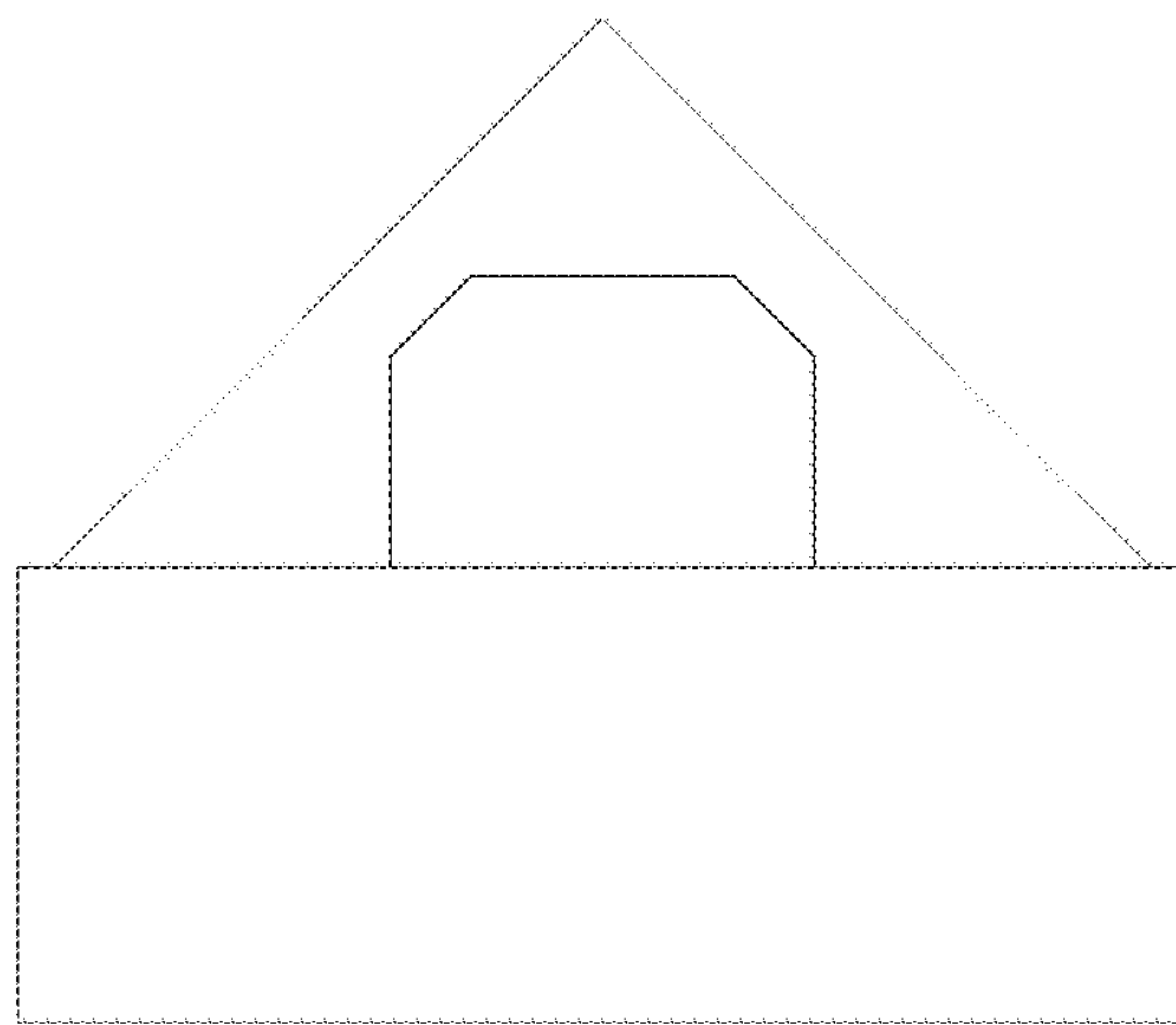


FIG. 14

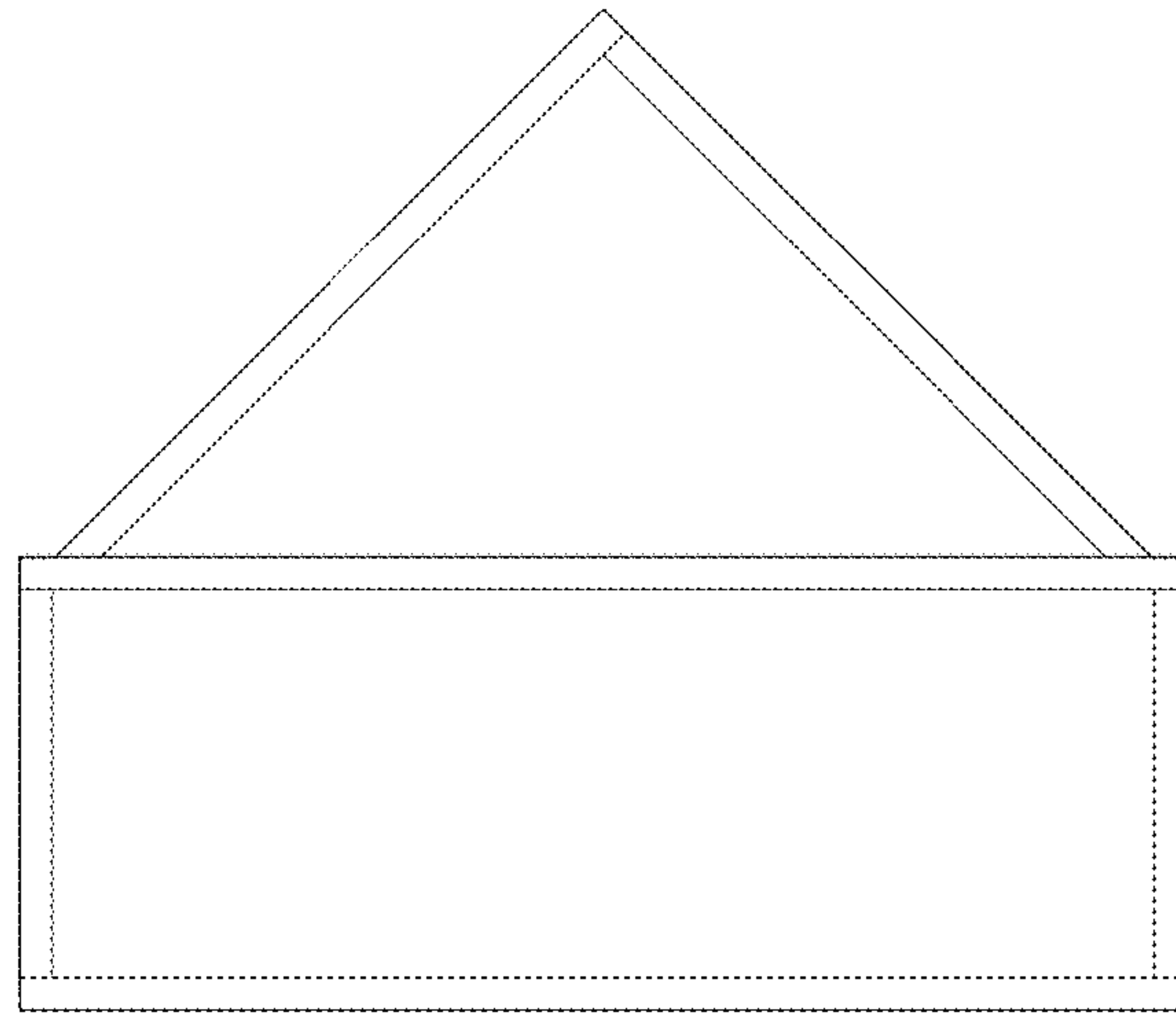


FIG. 15