



US00D783317S

(12) **United States Design Patent** (10) **Patent No.:** **US D783,317 S**  
**Labrosse et al.** (45) **Date of Patent:** **\*\* Apr. 11, 2017**

(54) **DESKTOP**  
(71) Applicant: **STIRWORKS INC.**, Pasadena, CA (US)  
(72) Inventors: **Jean-Paul Labrosse**, Altadena, CA (US); **Lance Gorbutt Blake**, Los Angeles, CA (US)  
(73) Assignee: **STIRWORKS INC.**, Pasadena, CA (US)  
(\*\*) Term: **14 Years**  
(21) Appl. No.: **29/515,327**  
(22) Filed: **Jan. 21, 2015**  
(51) **LOC (10) Cl.** ..... **06-04**  
(52) **U.S. Cl.**  
USPC ..... **D6/656.17**  
(58) **Field of Classification Search**  
USPC ..... D6/705, 655.18, 656.12, 656.13, 656.16, D6/656.17  
CPC .... A47B 2200/0027; A47B 2200/0029; A47B 17/00; A47B 17/02; A47B 21/00; A47B 21/02; A47B 2097/006; A47B 9/20; A47B 9/00; A47B 9/08; A47B 9/04; A47B 9/02; A47B 3/00; A47B 3/087; A47B 3/091  
See application file for complete search history.

(56) **References Cited**  
U.S. PATENT DOCUMENTS  
D367,774 S \* 3/1996 Wood, Jr. .... D6/649  
D388,639 S \* 1/1998 Dormon ..... D6/650

D572,505 S \* 7/2008 Davis ..... D6/656.13  
RE42,666 E \* 9/2011 Saotome ..... D6/656.17  
D710,133 S \* 8/2014 Scharer ..... D6/656.17  
D719,767 S \* 12/2014 Scharer ..... D6/656.17  
D732,317 S \* 6/2015 Chang ..... D6/656.17  
D749,878 S \* 2/2016 Domingo ..... D6/656.13  
2014/0096706 A1\* 4/2014 Labrosse ..... A47B 21/02  
108/21  
2016/0170402 A1\* 6/2016 Lindstrom ..... A47B 9/00  
700/275

\* cited by examiner  
*Primary Examiner* — Robin V Webster  
*Assistant Examiner* — James Thorn, Sr.  
(74) *Attorney, Agent, or Firm* — Young Basile Hanlon & MacFarlane, P.C.

(57) **CLAIM**  
The ornamental design for a desktop, as shown and described.

**DESCRIPTION**  
FIG. 1 is a top perspective view of a desktop showing the new design;  
FIG. 2 is a front elevation view thereof;  
FIG. 3 is a right side elevation view thereof, the left side elevation view being a mirror image thereof;  
FIG. 4 is a rear elevation view thereof;  
FIG. 5 is a top plan view thereof; and,  
FIG. 6 is a bottom plan view thereof.  
The broken lines shown in the drawings are included for the purpose of illustrating environmental structure and form no part of the claimed design.

**1 Claim, 3 Drawing Sheets**

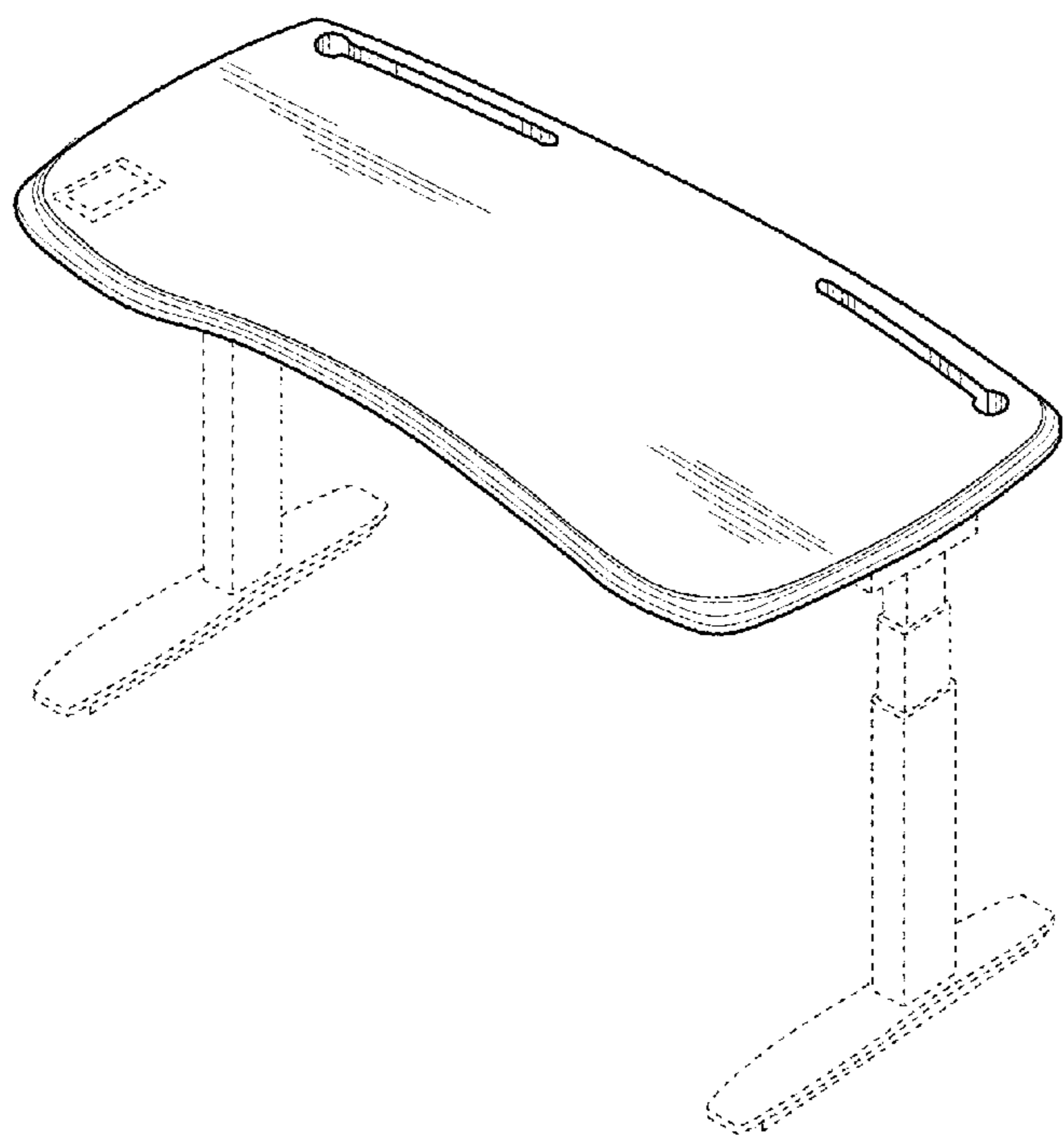


FIG. 1

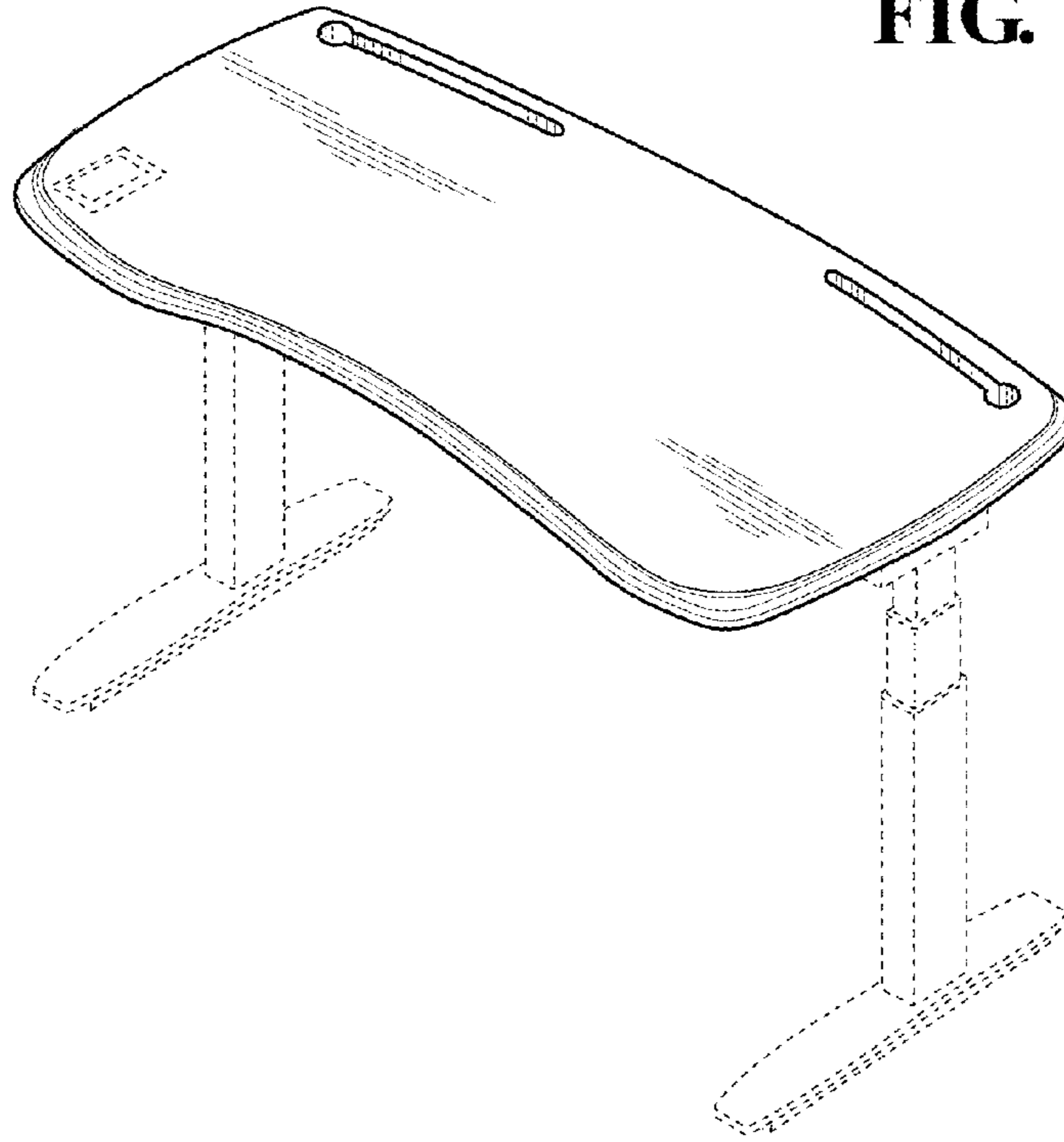
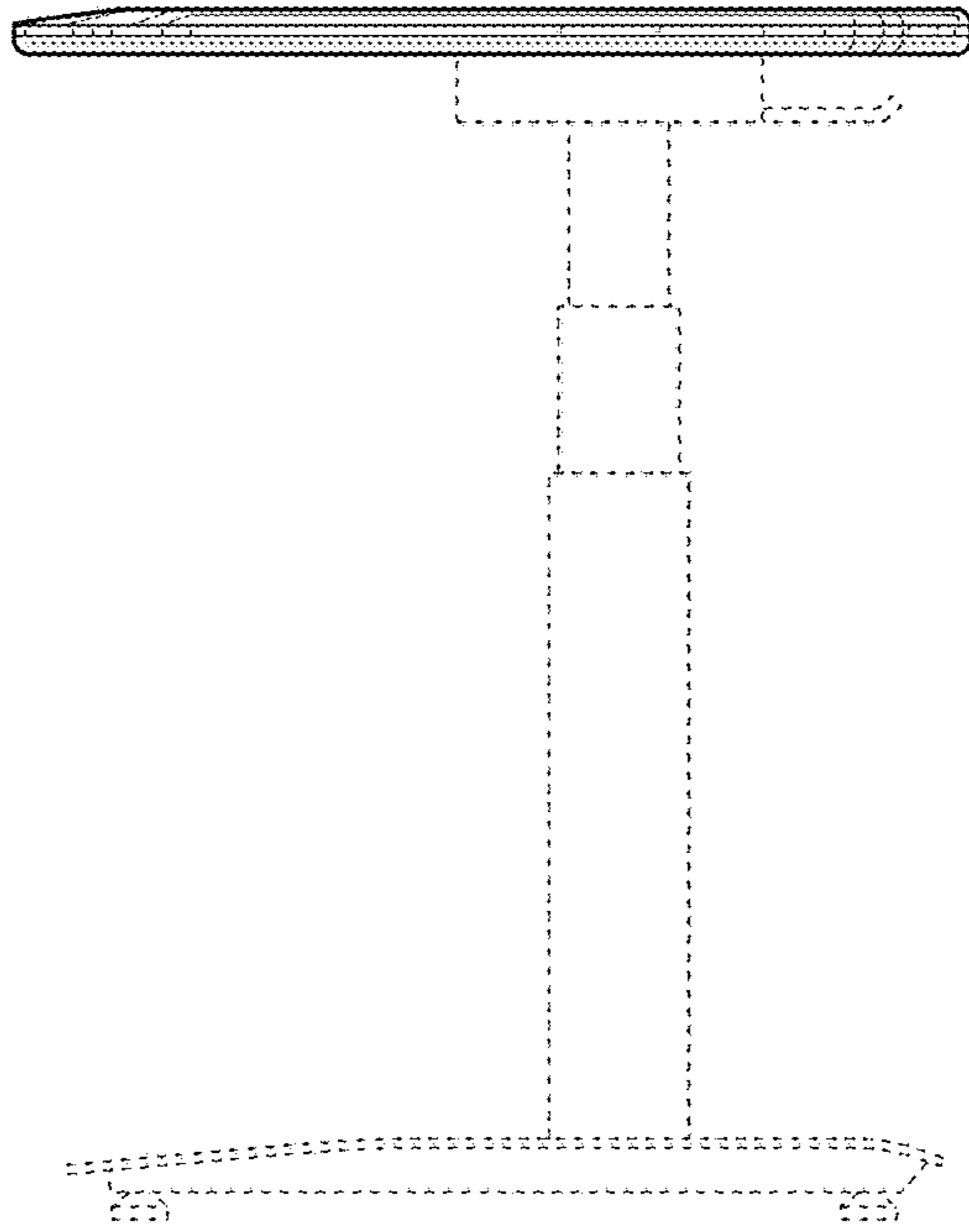


FIG. 2





**FIG. 3**

**FIG. 4**

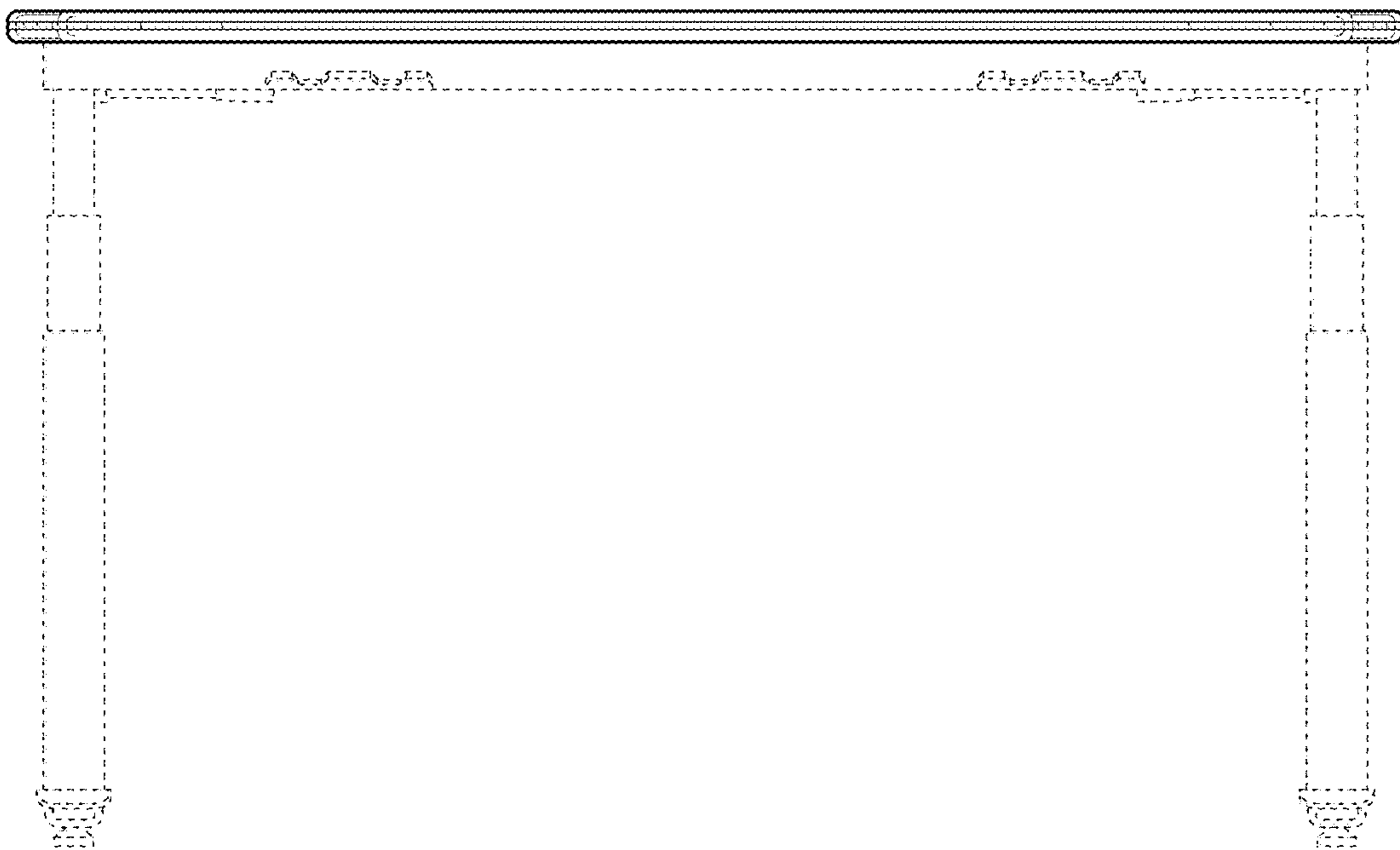


FIG. 5

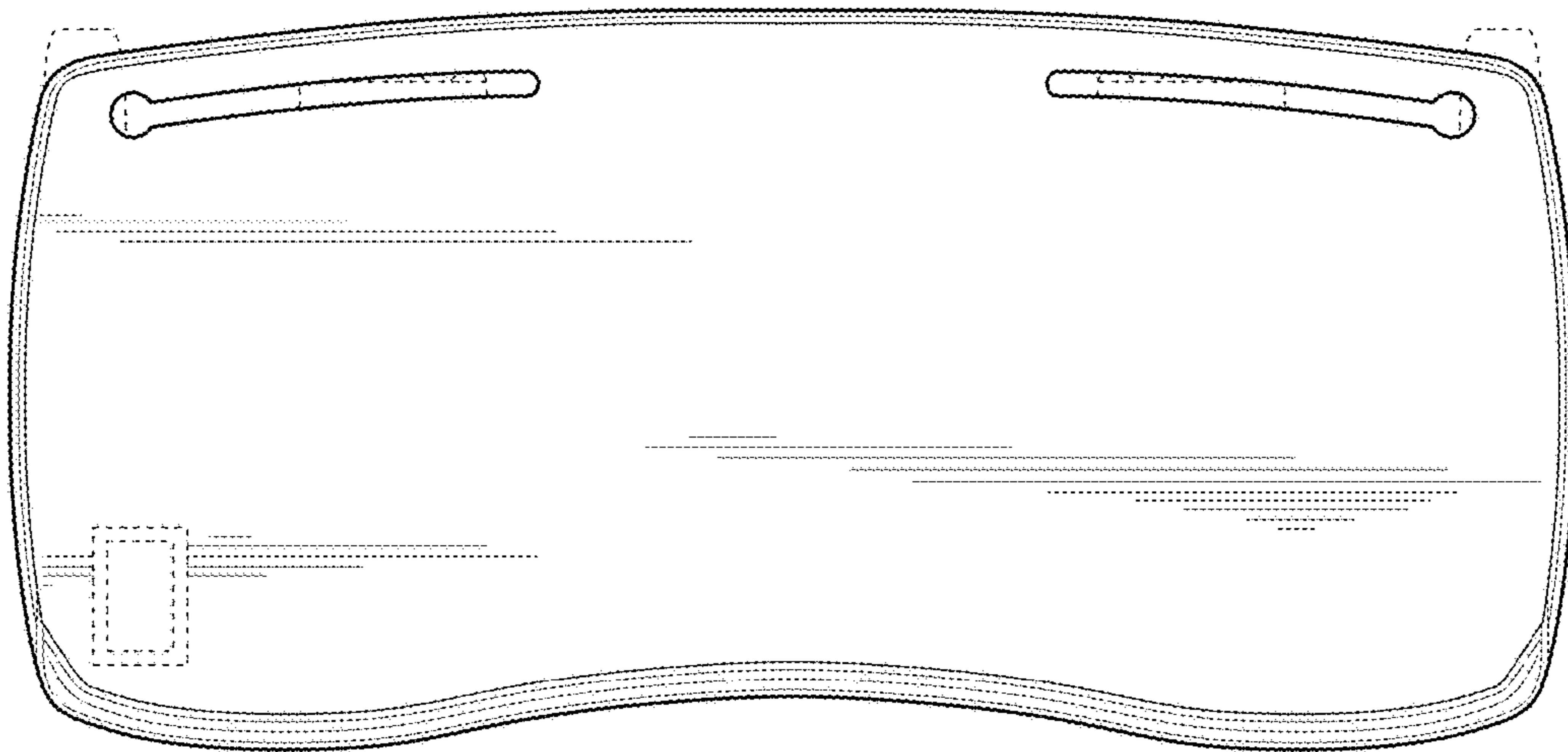


FIG. 6

