



US00D783315S

(12) **United States Design Patent** (10) **Patent No.:** **US D783,315 S**  
**Gourley** (45) **Date of Patent:** **\*\* Apr. 11, 2017**

(54) **CUSHIONED COVER**

(71) Applicant: **John T. Gourley**, Stow, OH (US)

(72) Inventor: **John T. Gourley**, Stow, OH (US)

(\*\*) Term: **15 Years**

(21) Appl. No.: **29/547,703**

(22) Filed: **Dec. 7, 2015**

(51) **LOC (10) Cl.** ..... **06-13**

(52) **U.S. Cl.**  
USPC ..... **D6/611**

(58) **Field of Classification Search**

USPC ..... D6/334-336, 349, 351, 352, 358, 360, D6/364, 365, 366, 374, 375, 379, 380, D6/611, 657, 662.1, 672, 674, 675, 675.1, D6/675.3, 683, 683.1, 685, 691, 691.5, D6/702, 708, 708.2, 708.21, 708.25, 716, D6/716.1-716.4; D3/304, 307, 309  
CPC ..... A47C 1/143; A47C 31/00; A47C 31/11; A47C 31/08; A47C 31/10; A47C 31/105; A47C 31/113; A47C 31/116; A47C 4/28; A47C 4/283; A47C 4/286; A47C 4/30; A47C 4/32; A47C 4/34; A47C 4/36; A47C 4/38; A47C 4/40; A47C 4/42; A47C 4/44; A47C 4/46; A47C 4/48; A47C 4/50; A47C 4/54; A47C 5/00; A47C 5/005; A47C 5/02; A47C 7/02; A47C 7/36; A47C 7/50; A47C 7/54; A47C 7/62; A47C 7/66; A47C 17/00; A47C 17/045; A47C 17/22; A47C 17/86; A47C 19/205; A47C 21/00; A47C 21/022; A47C 21/026; A47C 21/028; A47C 21/042; A47C 27/001; A47C 27/002; A47C 27/003; A47C 27/005; A47C 27/006; A47C 27/007; A47C 27/008; A47C 27/05; A47C 27/053; A47C 27/056; A47C 27/067; B60N 2/60; B60N 2/2881; B60N 2/6018; B60N 2/6036

See application file for complete search history.

(56) **References Cited**

U.S. PATENT DOCUMENTS

1,613,725 A \* 1/1927 Sabin ..... F16L 59/023  
138/148  
2,625,263 A \* 1/1953 Kice ..... F16L 59/022  
138/151  
3,856,245 A \* 12/1974 Byerly ..... F16L 55/035  
248/74.3  
4,805,937 A 2/1989 Boucher et al.  
4,955,914 A 9/1990 Caniglia et al.

(Continued)

OTHER PUBLICATIONS

“Barbell Pad Squat Pad—Supports Squat Bar Weight Lifting for Neck & Shoulder—Protective Pad 16" long, 3.5" Diameter” Aug. 24, 2015, amazon.com, site visited Dec. 22, 2016 <[https://www.amazon.com/Barbell-Pad-Squat-Supports-Protective/dp/B017L2O7AI/ref=sr\\_1\\_3?ie=UTF8&qid=1482450567&sr=8-3&keywords=weightlifting+cushion#customerReviews](https://www.amazon.com/Barbell-Pad-Squat-Supports-Protective/dp/B017L2O7AI/ref=sr_1_3?ie=UTF8&qid=1482450567&sr=8-3&keywords=weightlifting+cushion#customerReviews)>.\*

*Primary Examiner* — Kevin Rudzinski

*Assistant Examiner* — Paul Bohannon

(74) *Attorney, Agent, or Firm* — Hudak, Shunk & Farine Co. LPA

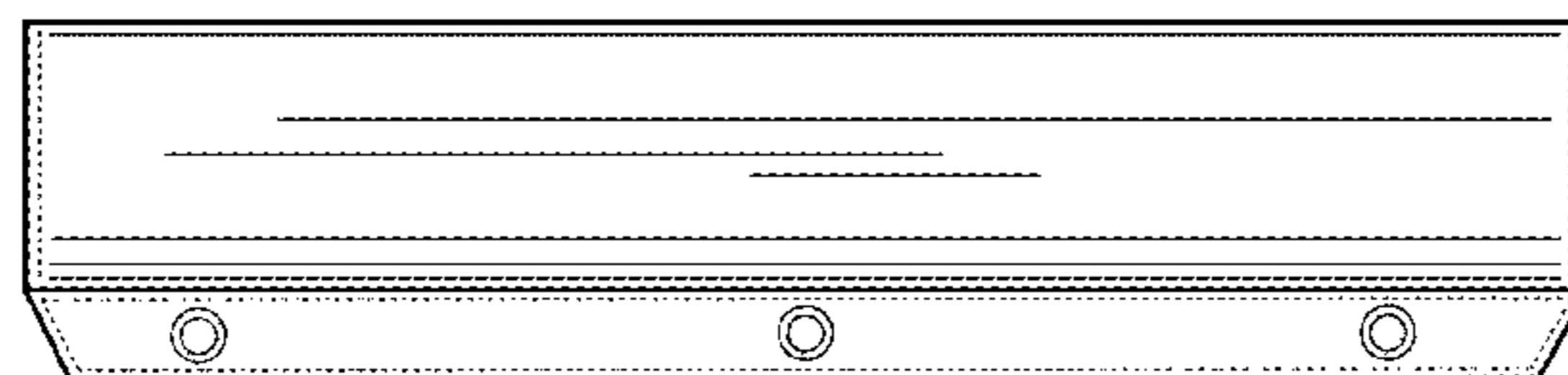
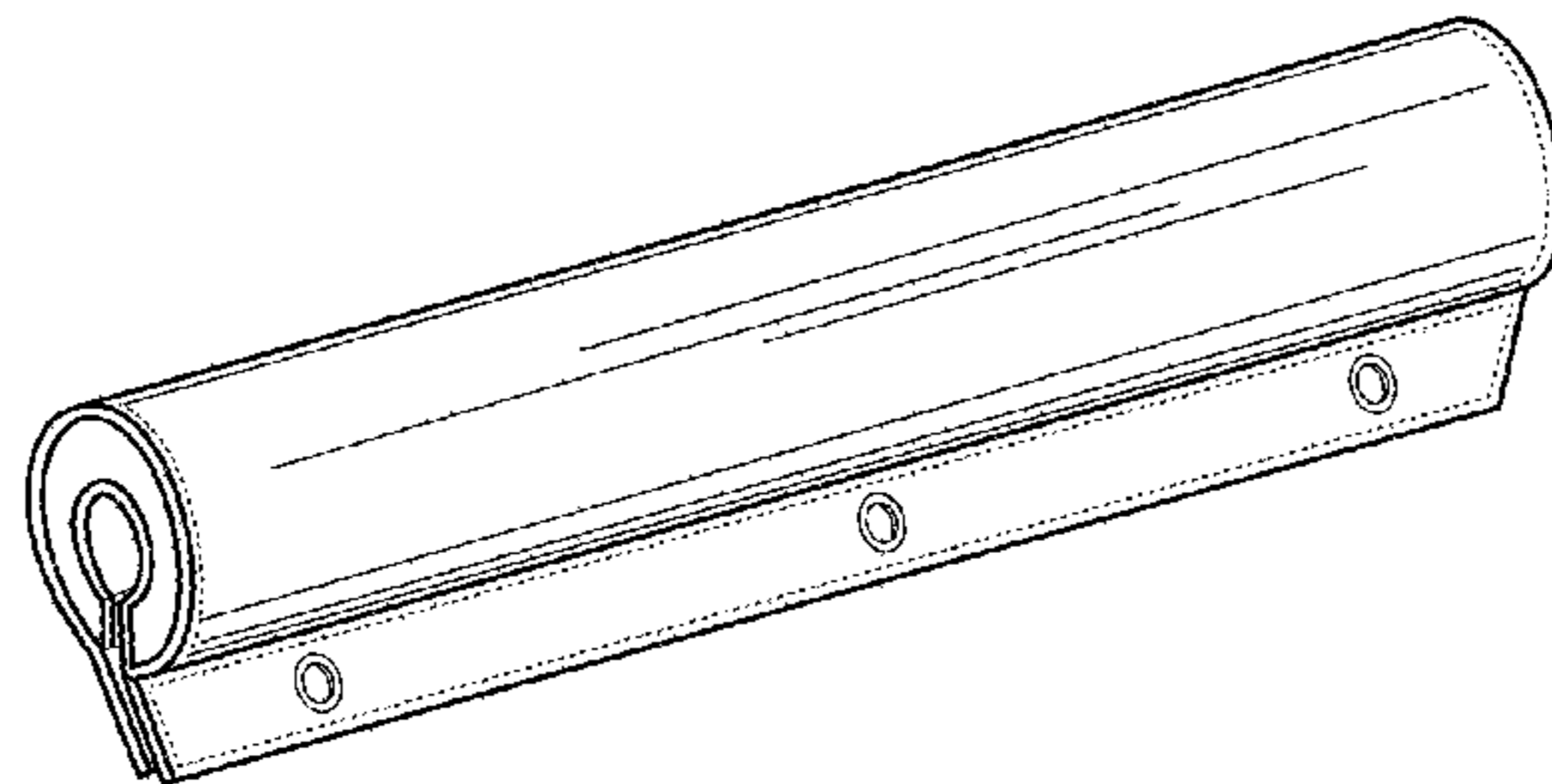
(57) **CLAIM**

The ornamental design for a cushioned cover, as shown and described.

**DESCRIPTION**

FIG. 1 is a slightly downward looking first side perspective view of the cushioned cover;  
FIG. 2 is a front view, wherein the back view is the same as the front view;  
FIG. 3 is a top view;  
FIG. 4 is a bottom view; and,  
FIG. 5 is a right side view, wherein the left side view is a mirror image.

(Continued)



The dashed lines are for the purpose of illustrating portions of the article, and form no part of the claimed design.

**1 Claim, 3 Drawing Sheets**

(56)

**References Cited**

U.S. PATENT DOCUMENTS

5,429,377	A	7/1995	Duer	
6,065,764	A	5/2000	Moseley	
6,604,789	B1	8/2003	Downing	
6,655,736	B1 *	12/2003	Arenas .....	B60N 2/6063 160/24
6,817,066	B1	11/2004	Williams et al.	
7,431,396	B1	10/2008	Dasso	
2001/0031329	A1 *	10/2001	Shaffer .....	F16L 59/022 428/36.9
2002/0072455	A1 *	6/2002	Akins .....	A63B 21/0724 482/93
2002/0092577	A1 *	7/2002	Vitoorapakorn .....	F16L 3/1233 138/149
2003/0221774	A1 *	12/2003	Fishburn .....	B29C 63/0047 156/285
2004/0079431	A1 *	4/2004	Kissell .....	F16L 59/026 138/149
2006/0231193	A1 *	10/2006	Bright .....	B29C 63/06 156/217
2007/0292647	A1 *	12/2007	Princell .....	B29C 66/4322 428/36.9
2010/0124625	A1 *	5/2010	Blair .....	B29C 47/021 428/36.5
2012/0240307	A1	9/2012	Terrell et al.	
2016/0113412	A1 *	4/2016	Clark .....	A47C 31/11 297/227

\* cited by examiner

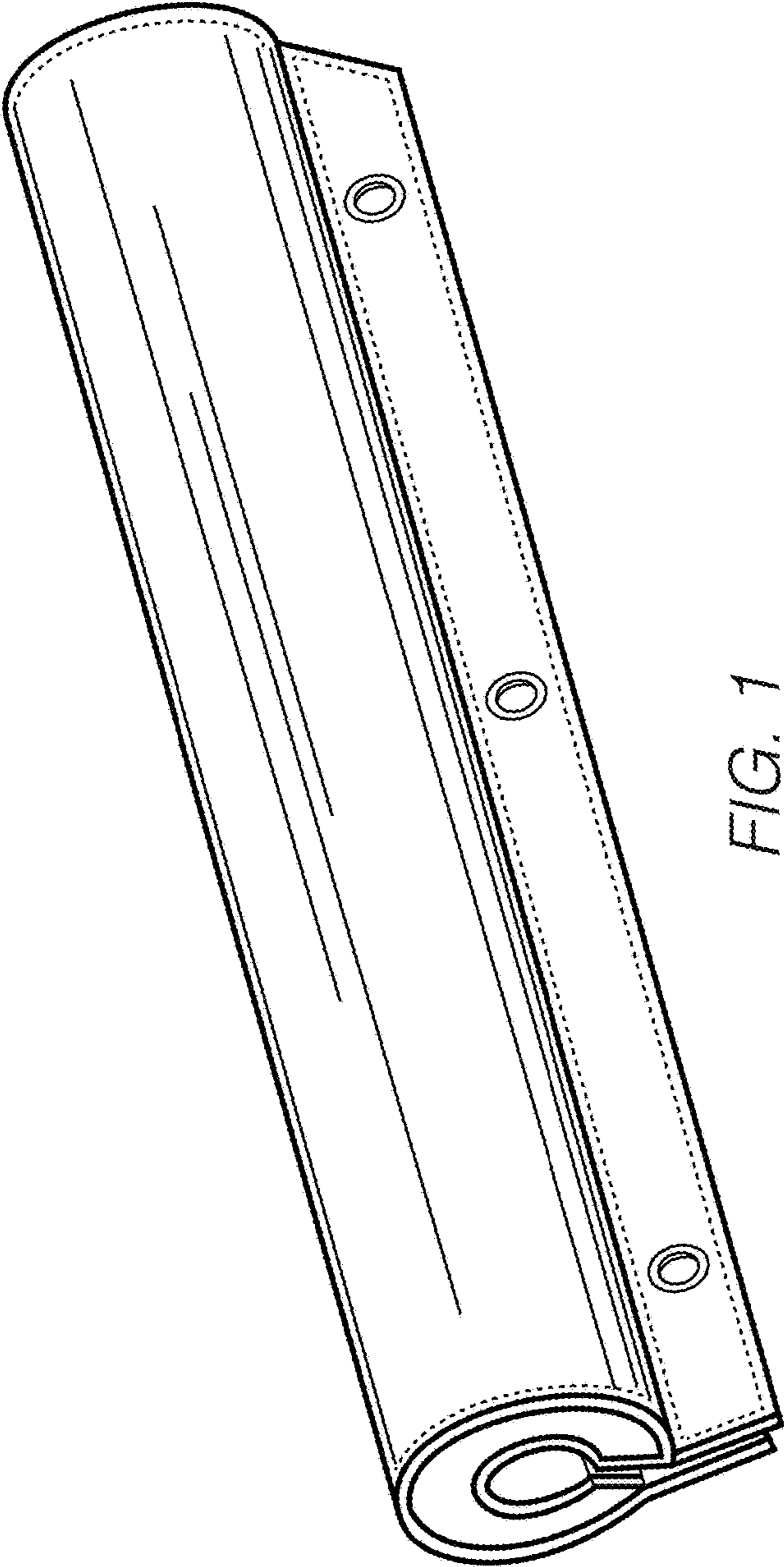


FIG. 1

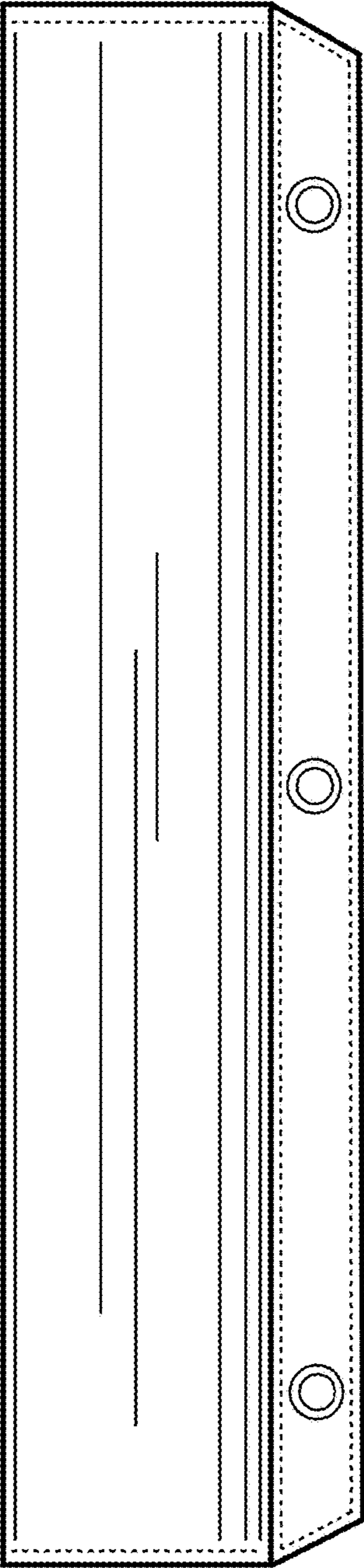


FIG. 2

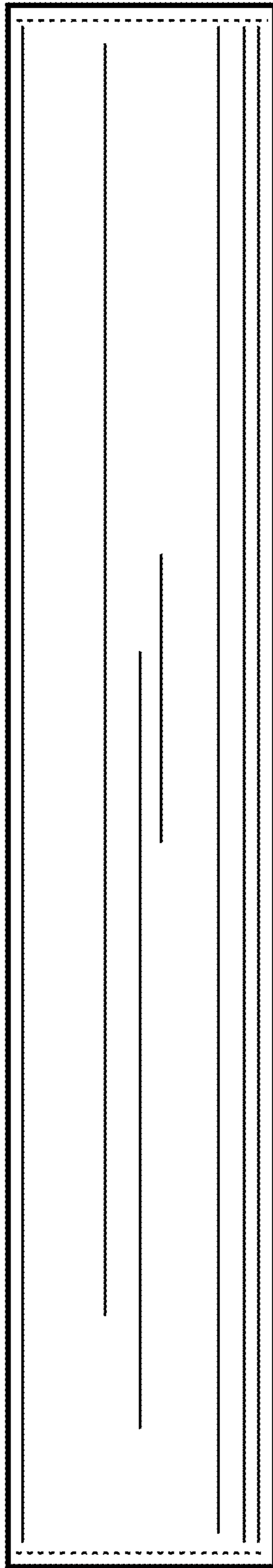


FIG. 3

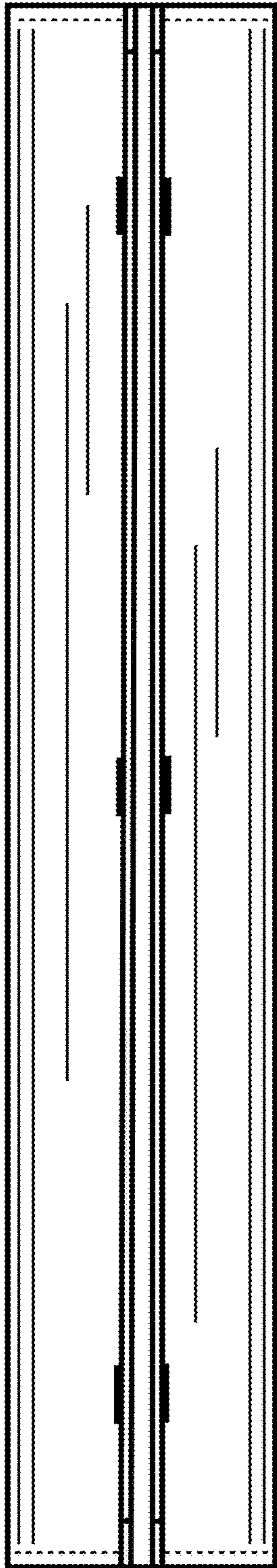


FIG. 4

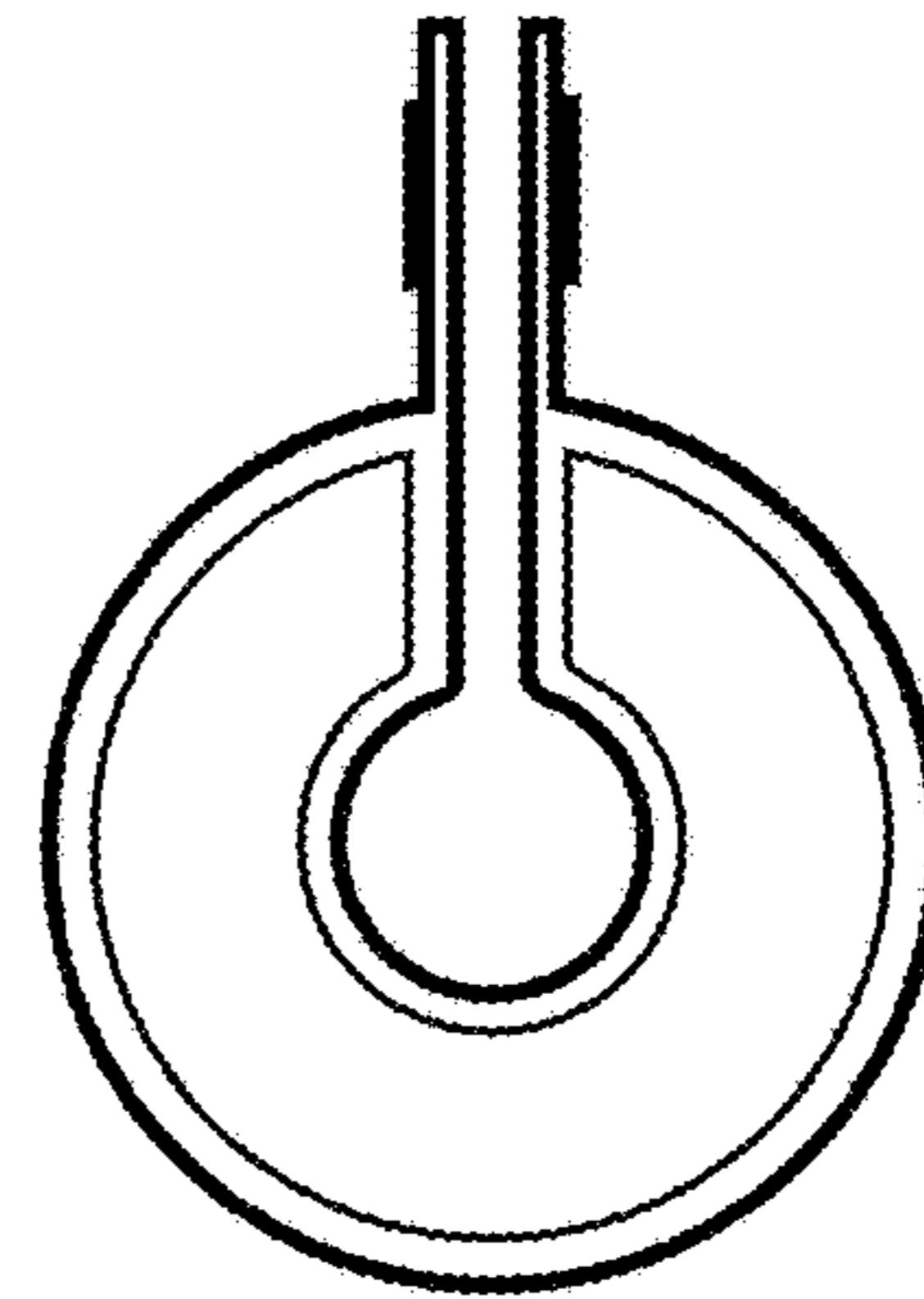


FIG. 5