



US00D783310S

(12) **United States Design Patent**
Kuo

(10) **Patent No.:** **US D783,310 S**

(45) **Date of Patent:** **** Apr. 11, 2017**

(54) **RACK**

(71) Applicant: **Jerry Kuo-Yung Kuo**, Taichung (TW)

(72) Inventor: **Jerry Kuo-Yung Kuo**, Taichung (TW)

(**) Term: **15 Years**

(21) Appl. No.: **29/569,510**

(22) Filed: **Jun. 28, 2016**

(51) **LOC (10) Cl.** **06-04**

(52) **U.S. Cl.**
USPC **D6/549**

(58) **Field of Classification Search**
USPC D6/546–550, 512–525; D8/300,
D8/315–321, 354, 363, 373, 380;
108/28–29; 211/13.1, 16, 85.5, 86.01,
211/87.01, 88.04, 100, 105.1, 105.2, 106,
211/113, 123, 181.1, 182–183; 248/49,
248/175, 176.1, 200, 201, 205.1, 251,
248/302, 309.1, 315; 242/570, 590,
242/595–598; D25/45
CPC A47K 10/3836; A47K 10/38
See application file for complete search history.

(56) **References Cited**

U.S. PATENT DOCUMENTS

D206,050 S *	10/1966	Anders	D6/549
D254,461 S *	3/1980	Tegner	D6/549
D263,661 S *	4/1982	Thompson	D6/549
D266,122 S *	9/1982	Haug	D8/316
D334,315 S *	3/1993	Bengtson	D23/304
D362,362 S *	9/1995	Moon	D6/549
5,860,538 A *	1/1999	Duero	A47K 10/08 16/436

D429,995 S *	8/2000	Lewis	D8/354
D466,741 S *	12/2002	Moore	D6/549
D486,020 S *	2/2004	Hoernig	D6/549
D516,350 S *	3/2006	Chen	D6/549
D523,272 S *	6/2006	Ferrer Beltran	D6/546
D550,489 S *	9/2007	Williams	D6/523
D551,056 S *	9/2007	Ricereto	D8/317
D554,403 S *	11/2007	Xiao	D6/524
D570,646 S *	6/2008	Jeon	D7/402
D572,109 S *	7/2008	Busalt	D8/316
D580,202 S *	11/2008	Dolan	D6/549
D588,172 S *	3/2009	Yang	D15/89
D612,677 S *	3/2010	Jeon	D15/89
D719,008 S *	12/2014	Han	D8/315
D729,035 S *	5/2015	Zimmer	D8/316
D736,055 S *	8/2015	Funnell, II	D8/315
D741,139 S *	10/2015	Sheppard	D8/319
D763,654 S *	8/2016	Chung	D8/315
D771,408 S *	11/2016	Garland	D6/549

* cited by examiner

Primary Examiner — David Muller

Assistant Examiner — Nathan Johnston

(74) *Attorney, Agent, or Firm* — LeClairRyan

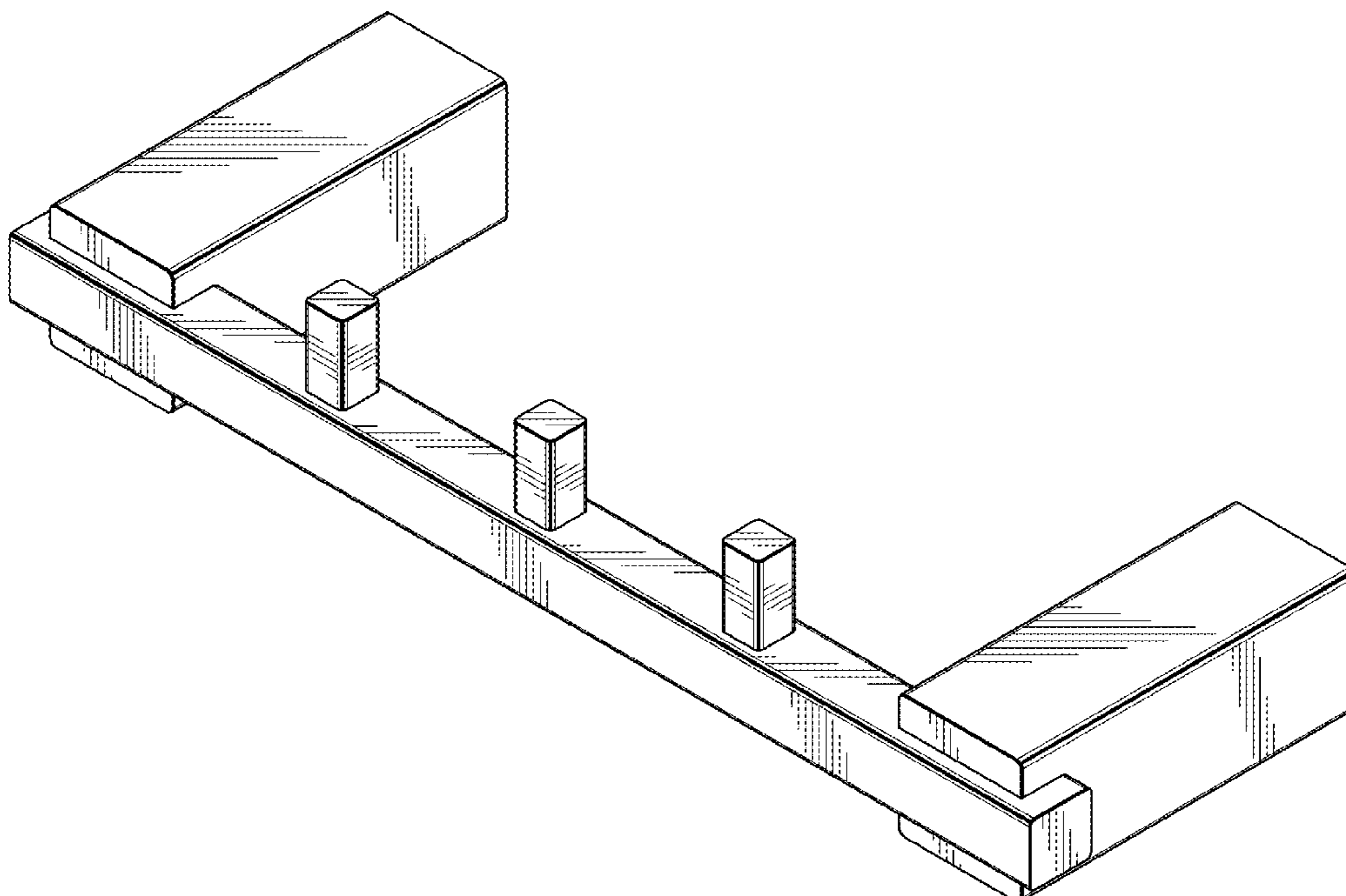
(57) **CLAIM**

The ornamental design for a rack, as shown and described.

DESCRIPTION

FIG. 1 is a perspective view of a rack showing my new design;
FIG. 2 is a front elevational view thereof;
FIG. 3 is a left side elevational view thereof;
FIG. 4 is a right side elevational view thereof;
FIG. 5 is a top plan view thereof; and,
FIG. 6 is a bottom plan view thereof.

1 Claim, 5 Drawing Sheets



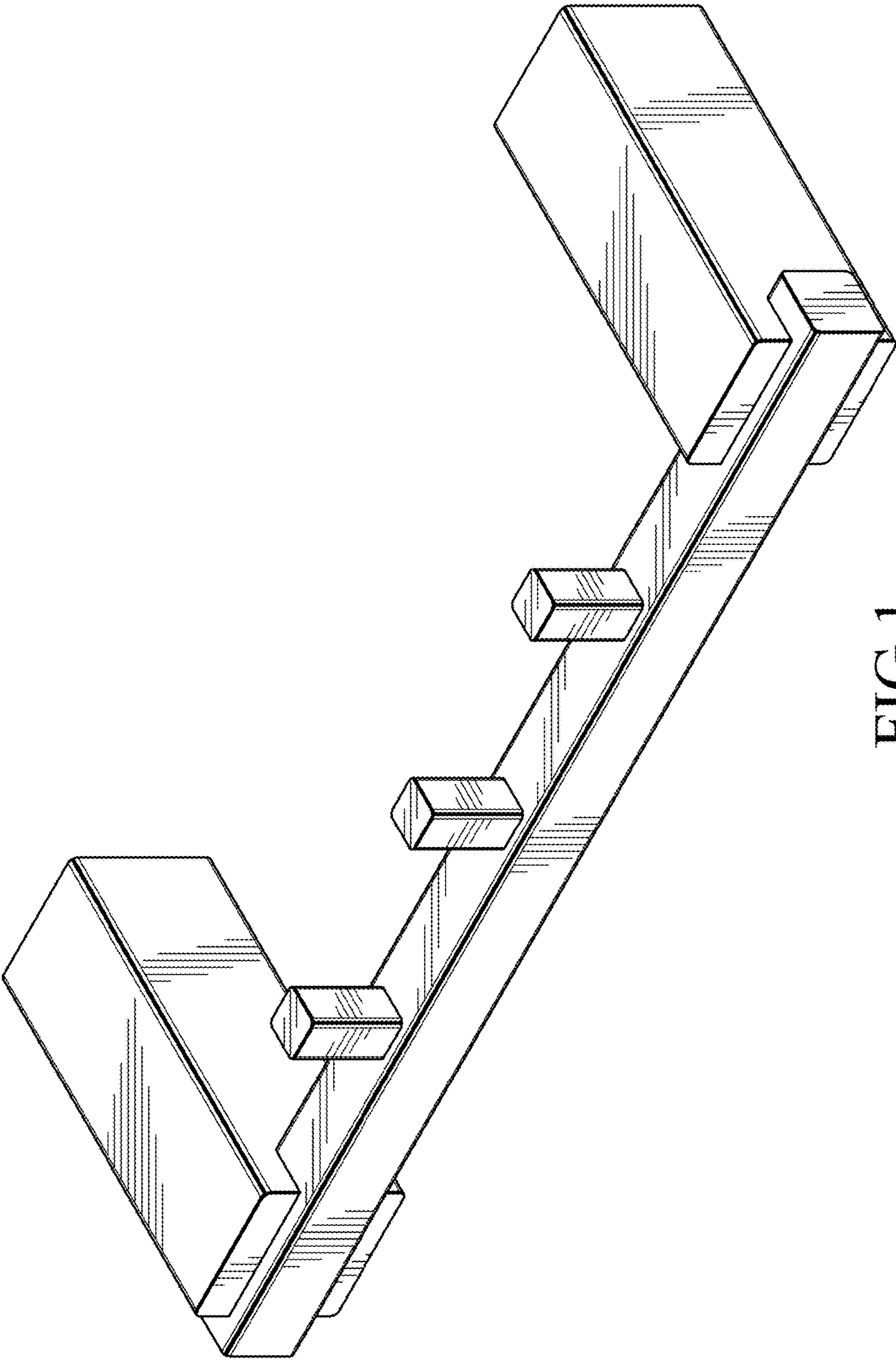


FIG.1

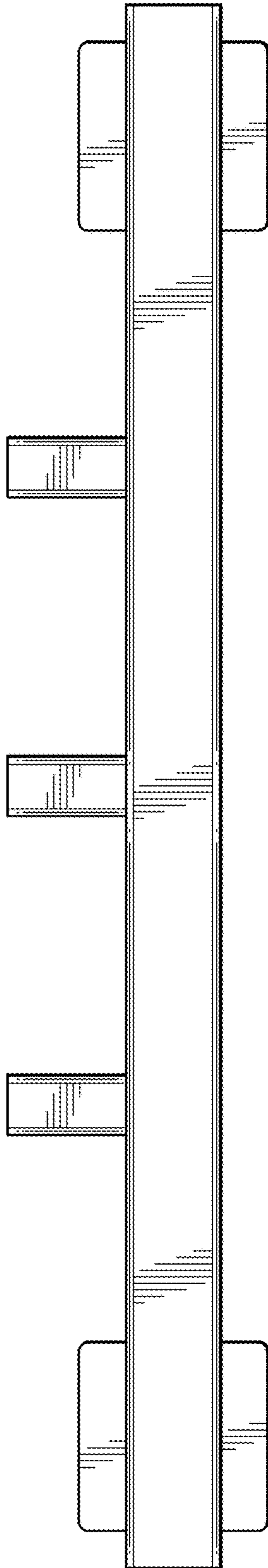


FIG.2

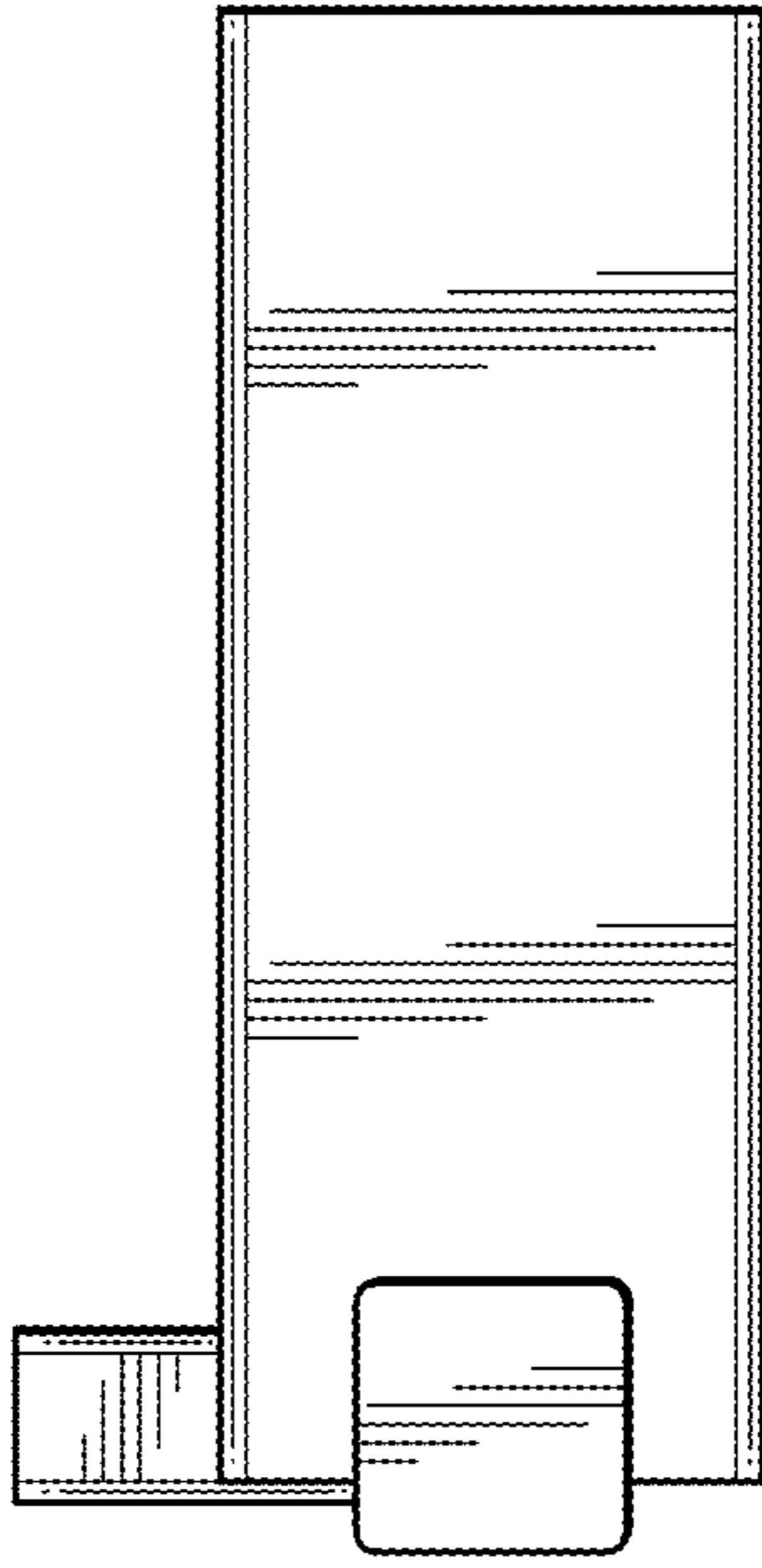


FIG.4

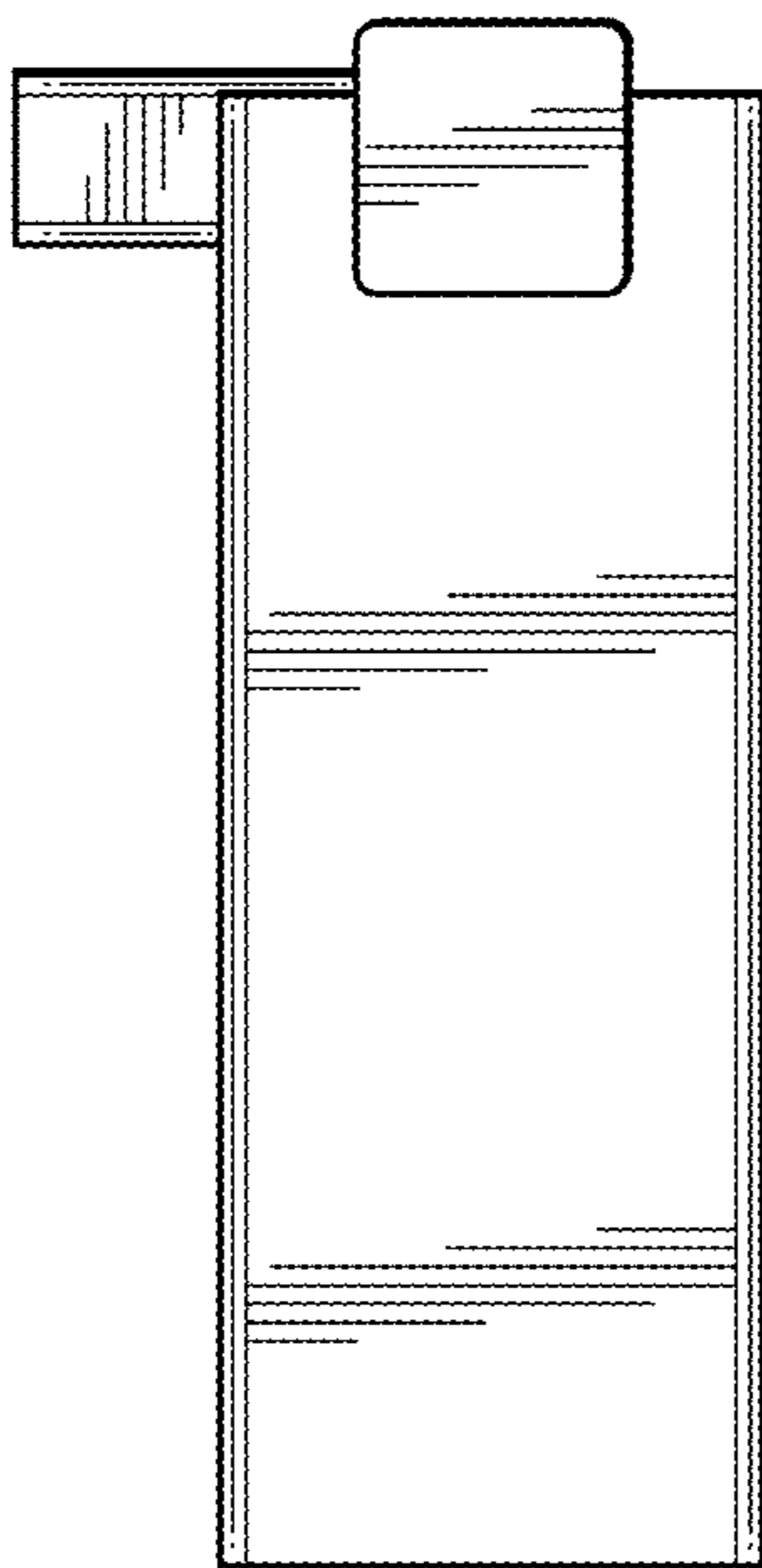


FIG.3

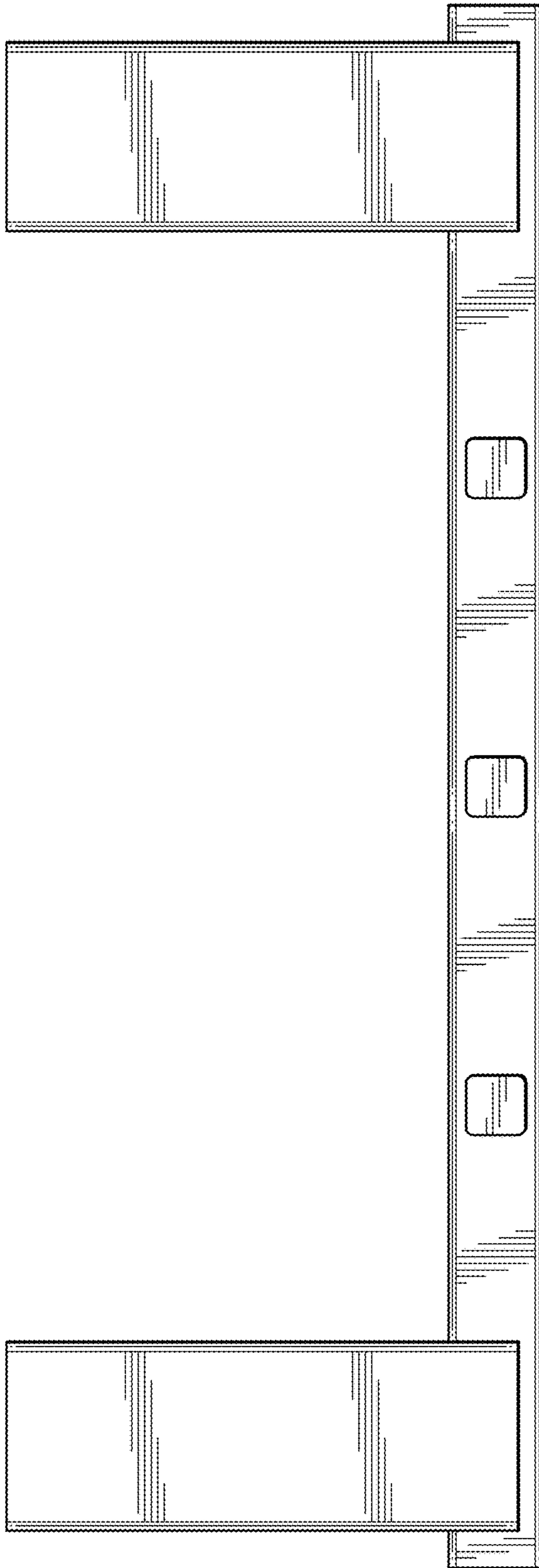


FIG.5

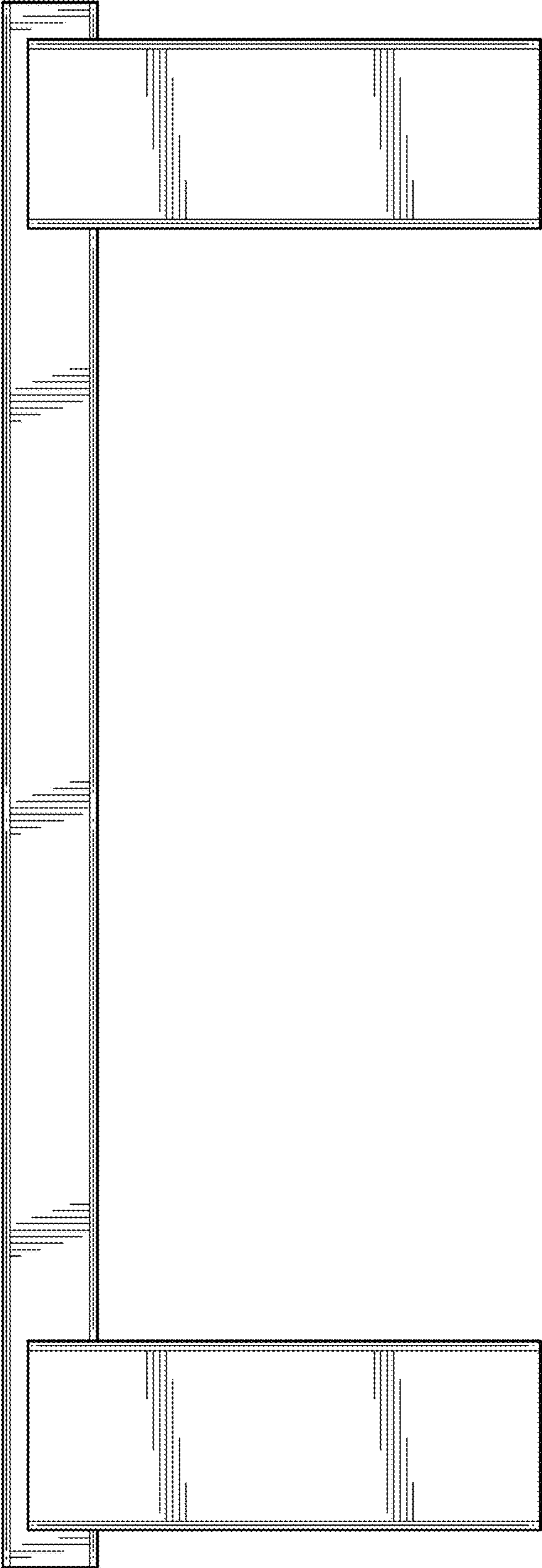


FIG.6