



US00D783309S

(12) **United States Design Patent**  
**Kuo**

(10) **Patent No.:** **US D783,309 S**

(45) **Date of Patent:** **\*\* Apr. 11, 2017**

(54) **RACK**

(71) Applicant: **Jerry Kuo-Yung Kuo**, Taichung (TW)

(72) Inventor: **Jerry Kuo-Yung Kuo**, Taichung (TW)

(\*\*) Term: **15 Years**

(21) Appl. No.: **29/569,505**

(22) Filed: **Jun. 28, 2016**

(51) **LOC (10) Cl.** ..... **06-04**

(52) **U.S. Cl.**

USPC ..... **D6/549**

(58) **Field of Classification Search**

USPC ..... D6/546–550, 512–525; D8/300,  
D8/315–321, 354, 363, 373, 380;  
108/28–29; 211/13.1, 16, 85.5, 86.01,  
211/87.01, 88.04, 100, 105.1, 105.2, 106,  
211/113, 123, 181.1, 182–183; 248/49,  
248/175, 176.1, 200, 201, 205.1, 251,  
248/302, 309.1, 315; 242/570, 590,  
242/595–598

CPC ..... A47K 10/3836; A47K 10/38  
See application file for complete search history.

(56) **References Cited**

**U.S. PATENT DOCUMENTS**

D264,932 S \* 6/1982 Miller ..... D8/302  
D329,586 S \* 9/1992 Primeau ..... D8/308

D342,015 S \* 12/1993 Andrejew ..... D6/553  
5,332,108 A \* 7/1994 Blass ..... A47B 96/067  
211/103  
D477,167 S \* 7/2003 Hoernig ..... D6/523  
D486,681 S \* 2/2004 Hoernig ..... D6/523  
D504,263 S \* 4/2005 Kennard ..... D6/550  
D523,272 S \* 6/2006 Ferrer Beltran ..... D6/546  
D532,228 S \* 11/2006 Snell ..... D6/522  
D549,023 S \* 8/2007 Sedwick ..... D6/524  
D550,489 S \* 9/2007 Williams ..... D6/523  
D554,403 S \* 11/2007 Xiao ..... D6/524  
D609,996 S \* 2/2010 Le ..... D8/380

\* cited by examiner

*Primary Examiner* — David Muller

*Assistant Examiner* — Nathan Johnston

(74) *Attorney, Agent, or Firm* — LeClairRyan

(57) **CLAIM**

The ornamental design for a rack, as shown and described.

**DESCRIPTION**

FIG. 1 is a perspective view of a rack showing my new design;

FIG. 2 is a front elevational view thereof;

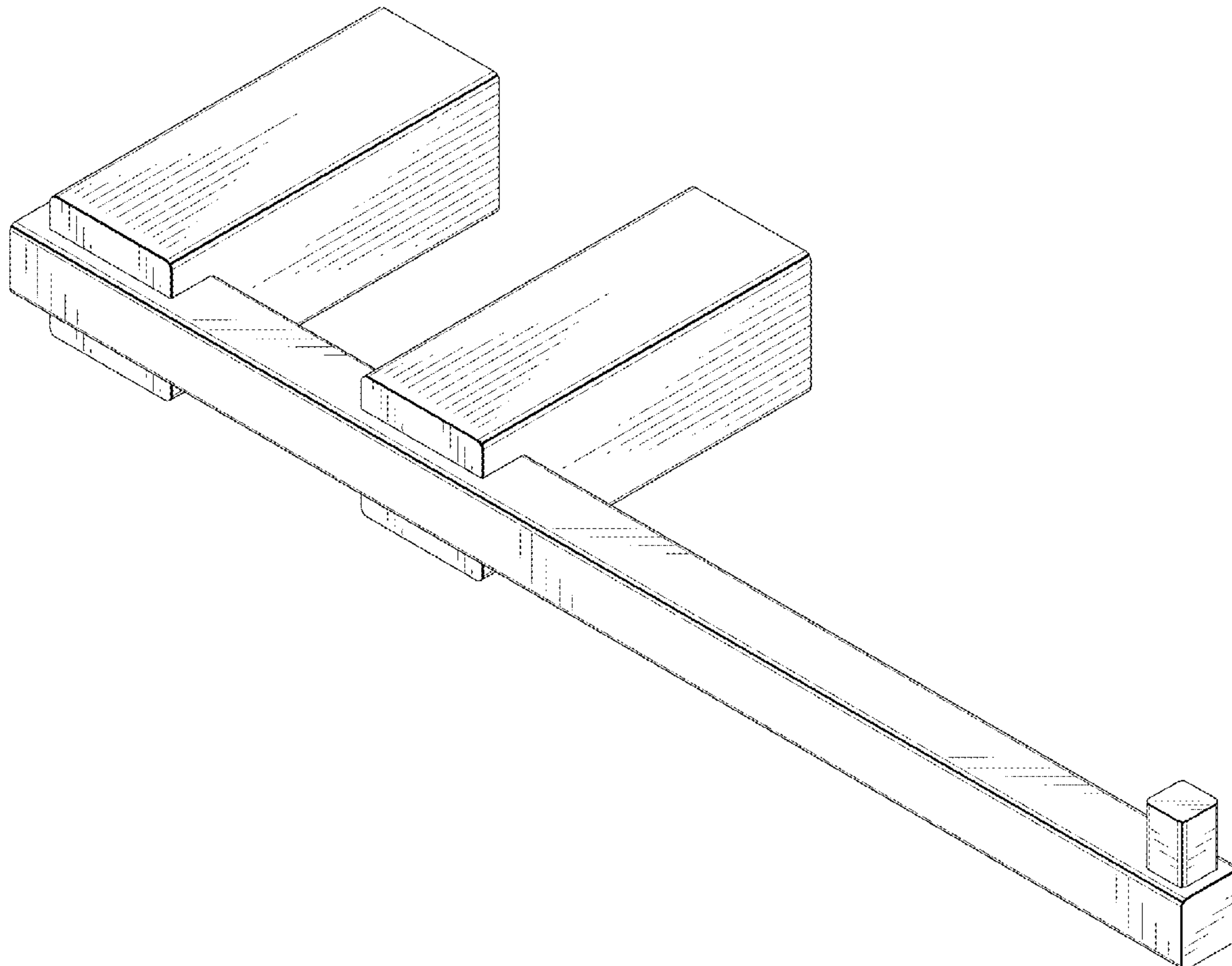
FIG. 3 is a left side elevational view thereof;

FIG. 4 is a right side elevational view thereof;

FIG. 5 is a top plan view thereof; and,

FIG. 6 is a bottom plan view thereof.

**1 Claim, 6 Drawing Sheets**



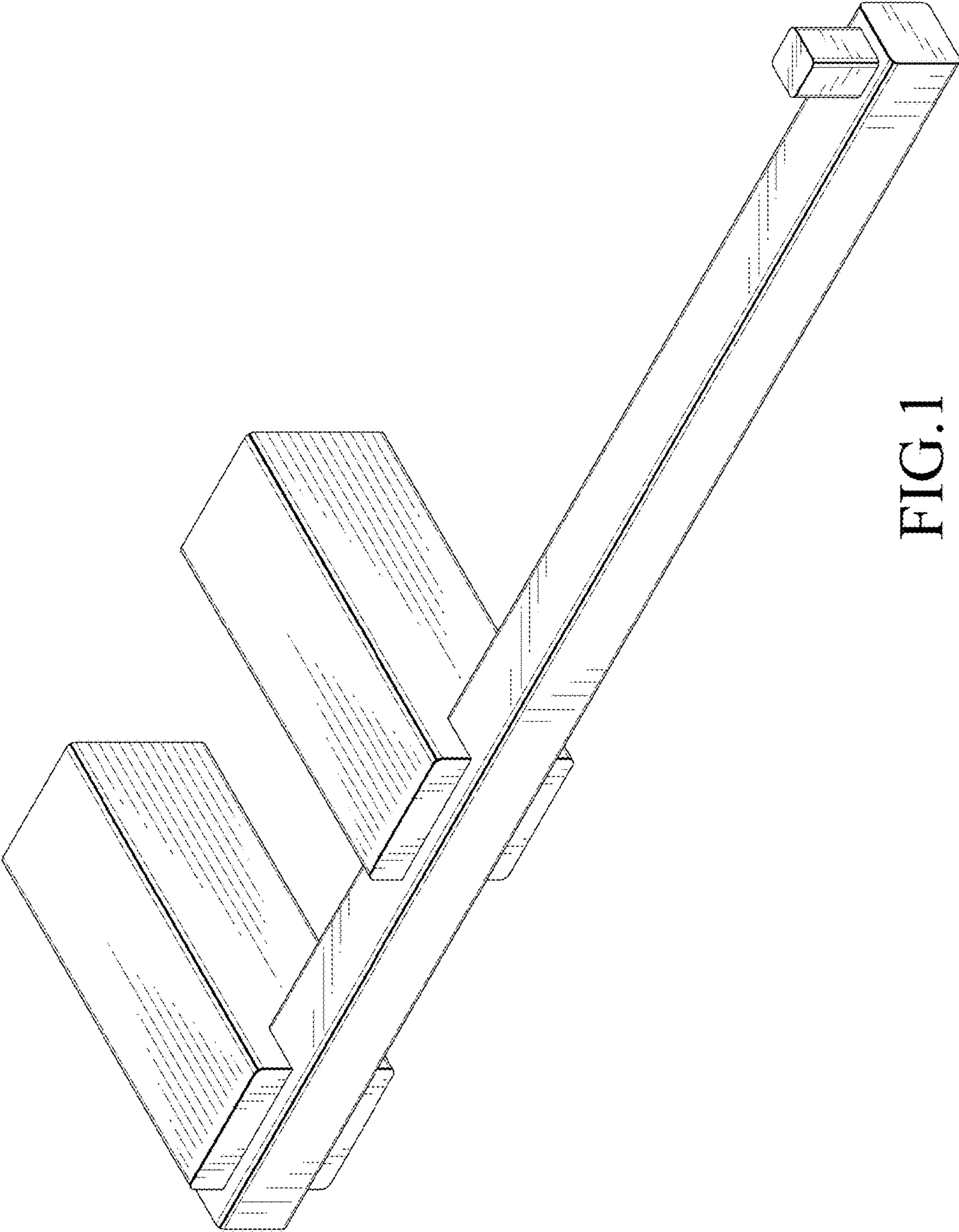


FIG. 1

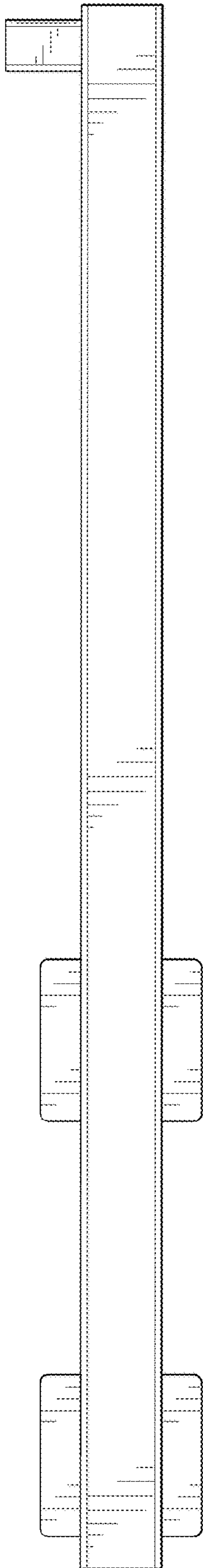


FIG.2

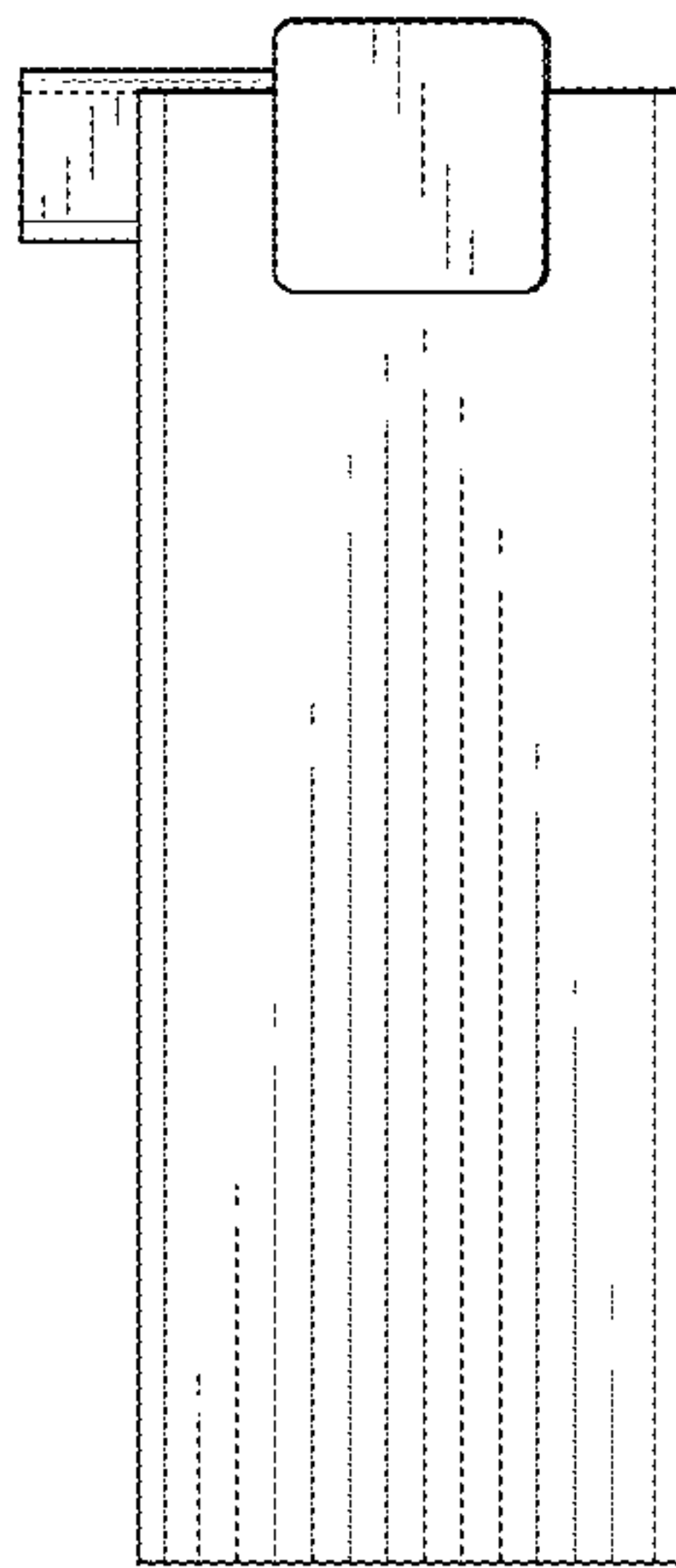


FIG.3

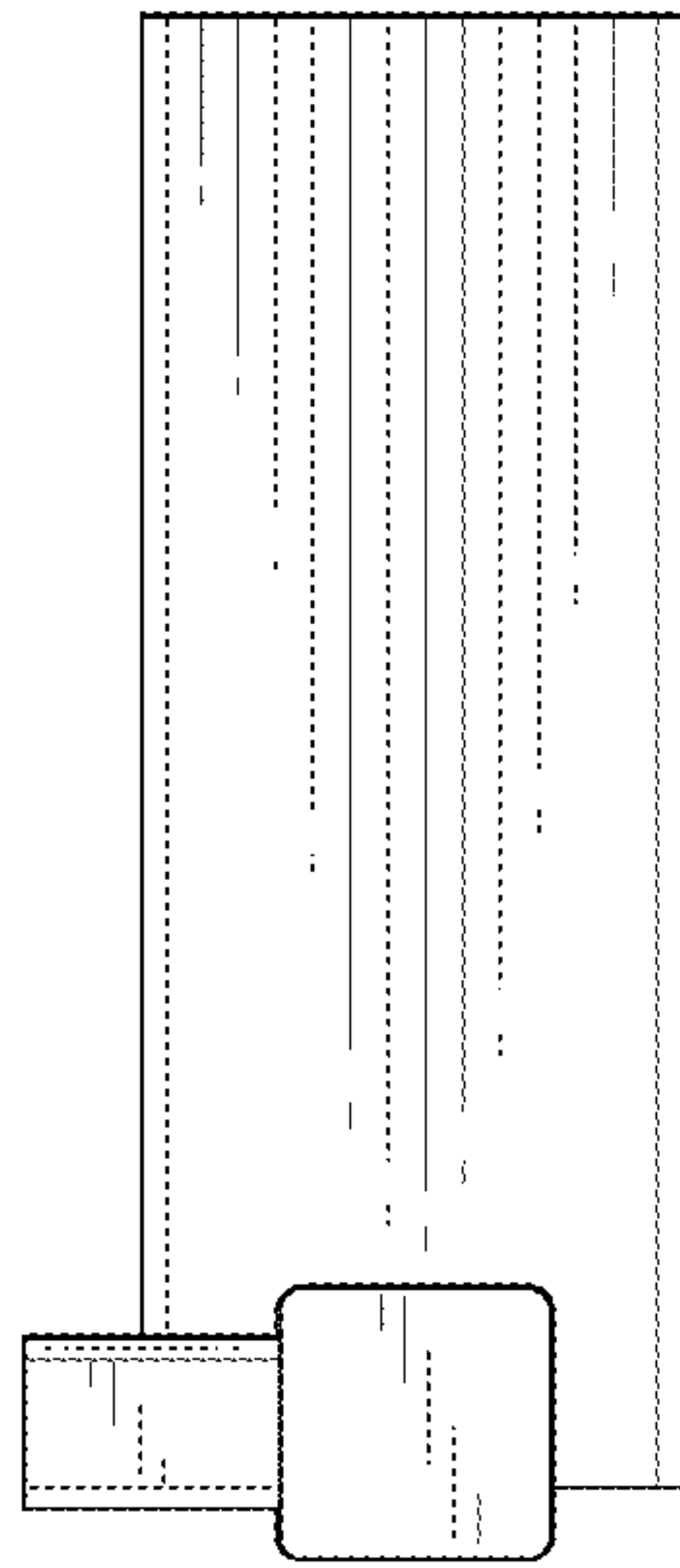


FIG.4

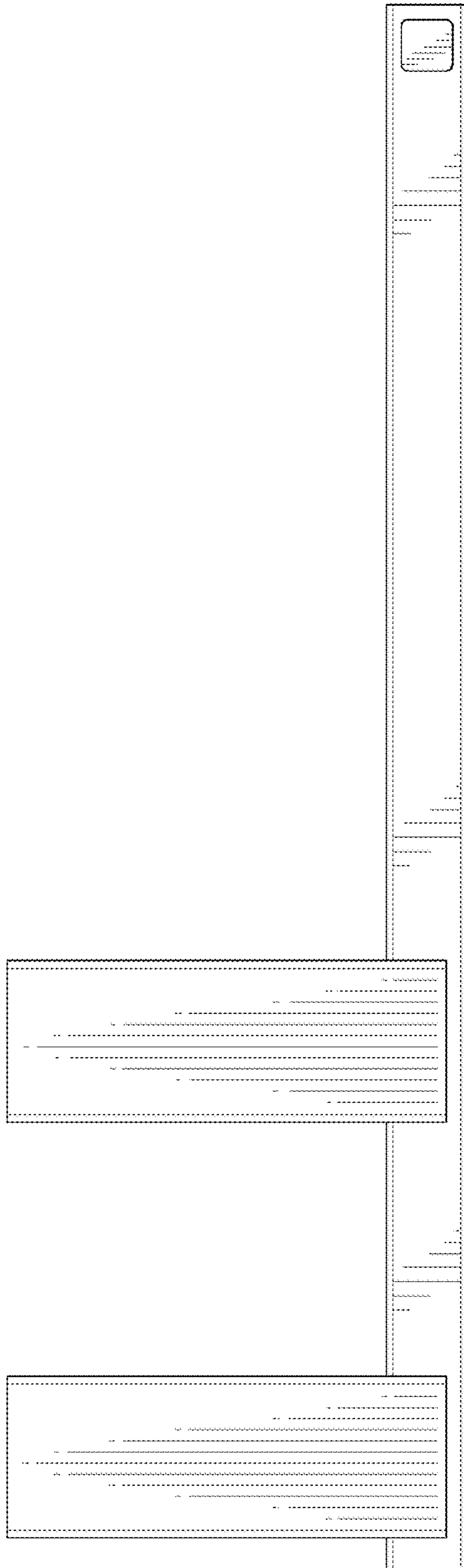


FIG. 5

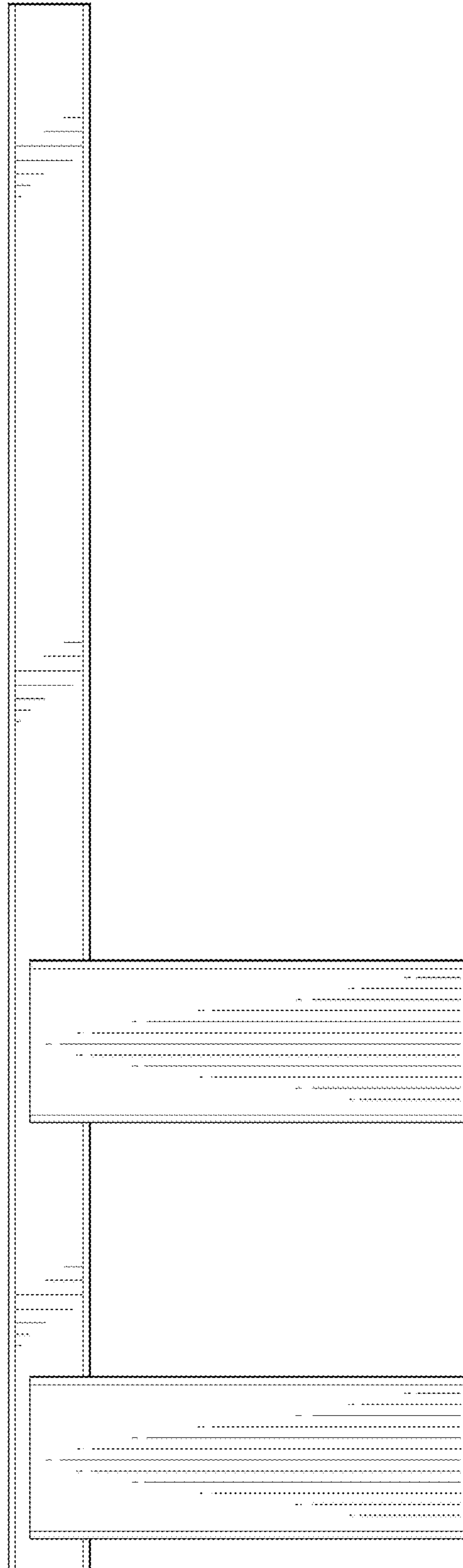


FIG. 6