



US00D783308S

(12) **United States Design Patent**
Kuo

(10) **Patent No.:** **US D783,308 S**

(45) **Date of Patent:** **** Apr. 11, 2017**

(54) **RACK**

(71) Applicant: **Jerry Kuo-Yung Kuo**, Taichung (TW)

(72) Inventor: **Jerry Kuo-Yung Kuo**, Taichung (TW)

(**) Term: **15 Years**

(21) Appl. No.: **29/569,501**

(22) Filed: **Jun. 28, 2016**

(51) **LOC (10) Cl.** **06-04**

(52) **U.S. Cl.**
USPC **D6/549**

(58) **Field of Classification Search**
USPC D6/546-550, 512-525; D8/300,
D8/315-321, 354, 363, 373, 380;
108/28-29; 211/13.1, 16, 85.5, 86.01,
211/87.01, 88.04, 100, 105.1, 105.2, 106,
211/113, 123, 181.1, 182-183; 248/49,
248/175, 176.1, 200, 201, 205.1, 251,
248/302, 309.1, 315; 242/570, 590,
242/595-598; D25/45
CPC A47K 10/3836; A47K 10/38
See application file for complete search history.

(56) **References Cited**

U.S. PATENT DOCUMENTS

D264,932 S * 6/1982 Miller D8/302
D316,664 S * 5/1991 Tull D12/317

D342,015 S * 12/1993 Andrejew D6/553
5,332,108 A * 7/1994 Blass A47B 96/067
211/103
D486,681 S * 2/2004 Hoernig D6/523
D504,263 S * 4/2005 Kennard D6/550
D523,272 S * 6/2006 Ferrer Beltran D6/546
D532,228 S * 11/2006 Snell D6/522
D550,489 S * 9/2007 Williams D6/523
D554,403 S * 11/2007 Xiao D6/524
D609,996 S * 2/2010 Le D8/380
D723,358 S * 3/2015 Morris D8/380

* cited by examiner

Primary Examiner — David Muller

Assistant Examiner — Nathan Johnston

(74) *Attorney, Agent, or Firm* — LeClairRyan

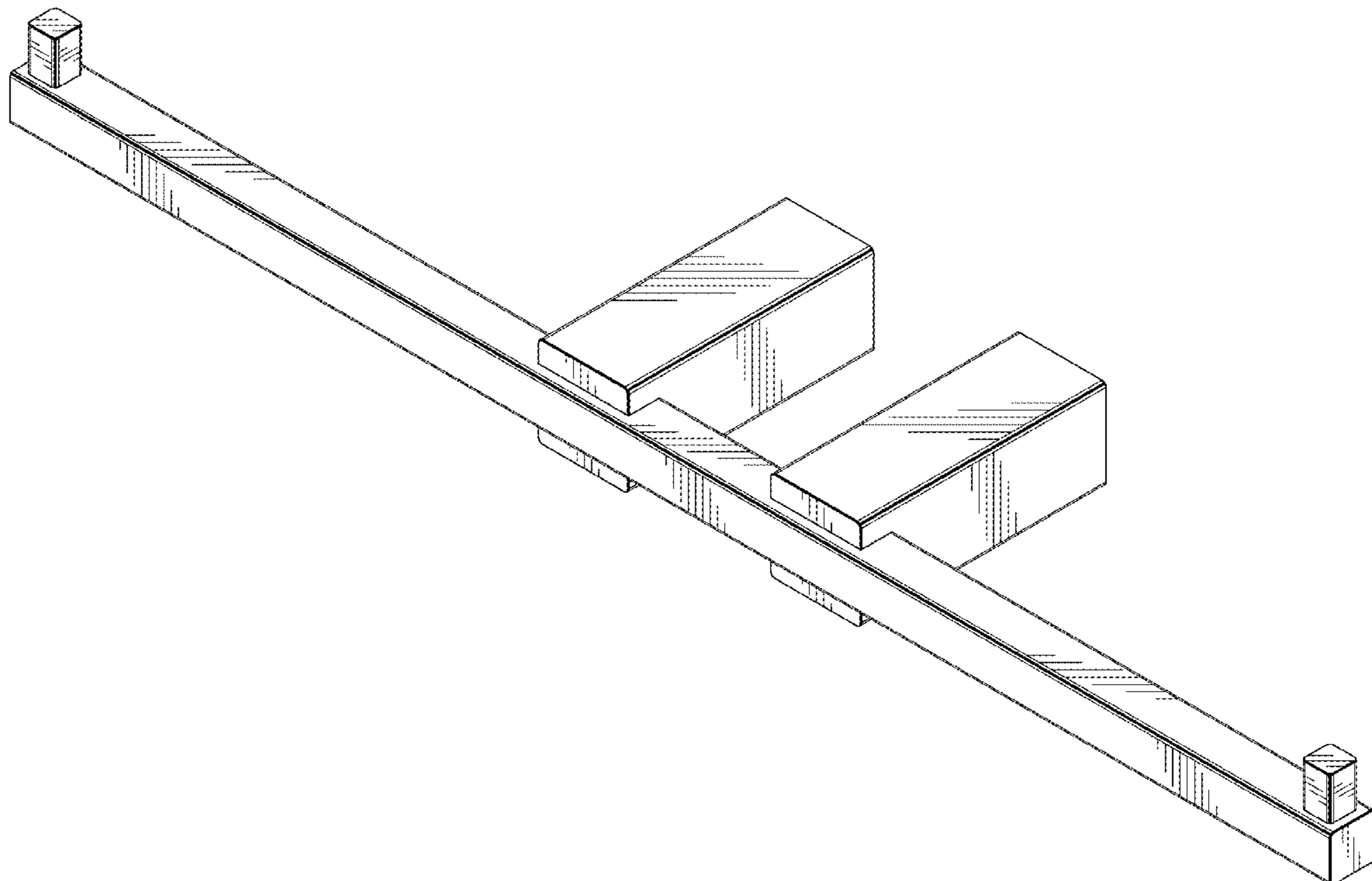
(57) **CLAIM**

The ornamental design for a rack, as shown and described.

DESCRIPTION

FIG. 1 is a perspective view of a rack showing my new design;
FIG. 2 is a front elevational view thereof;
FIG. 3 is a left side elevational view thereof;
FIG. 4 is a right side elevational view thereof;
FIG. 5 is a top plan view thereof; and,
FIG. 6 is a bottom plan view thereof.

1 Claim, 5 Drawing Sheets



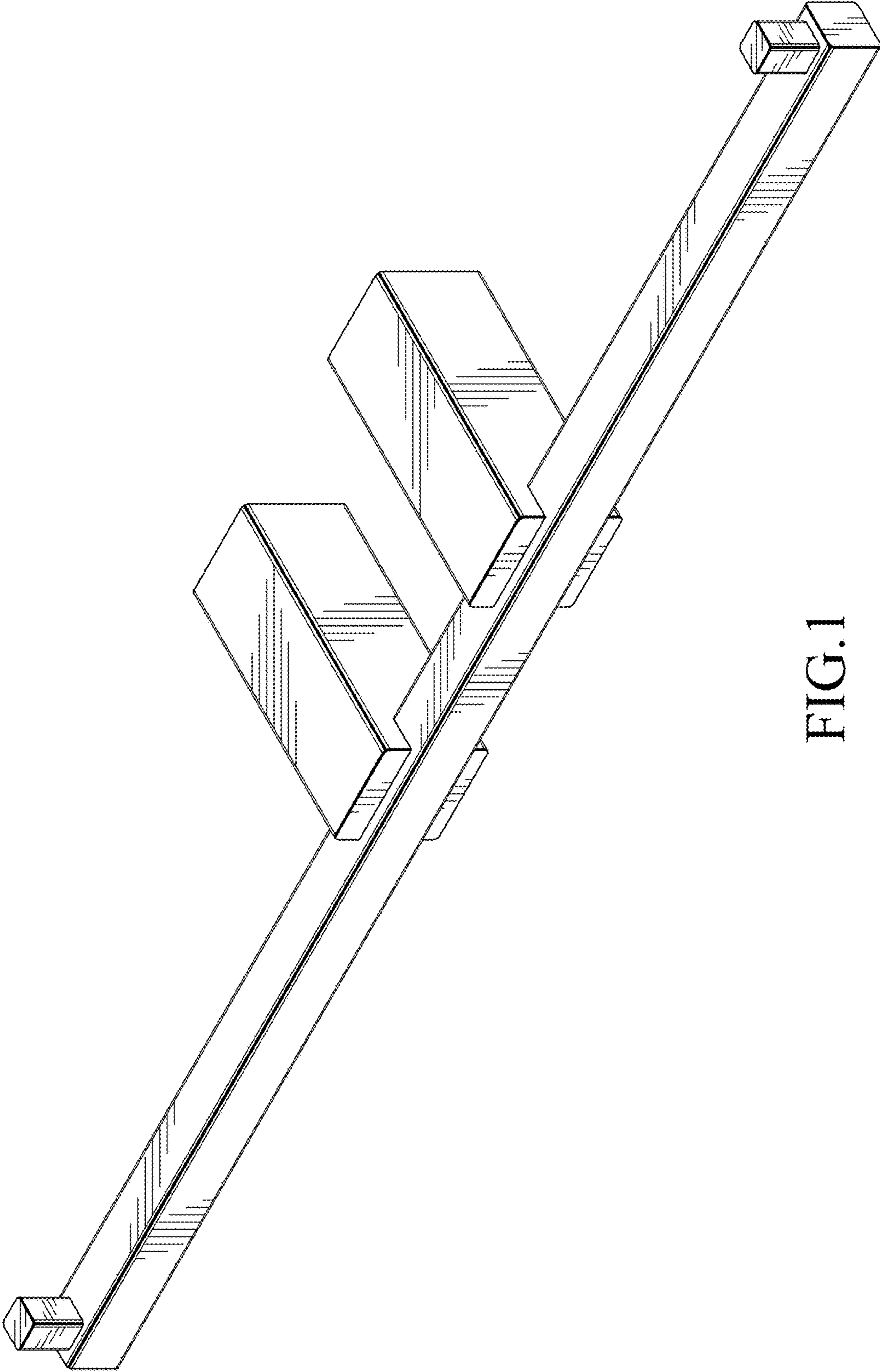


FIG. 1

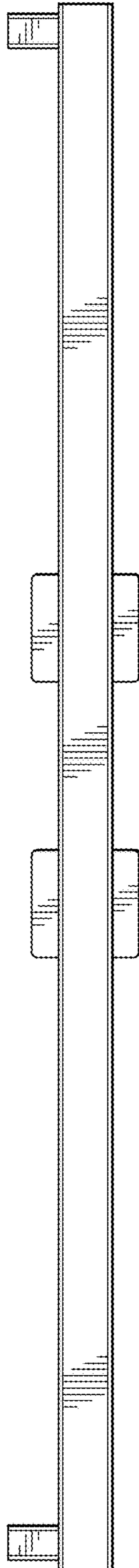


FIG.2

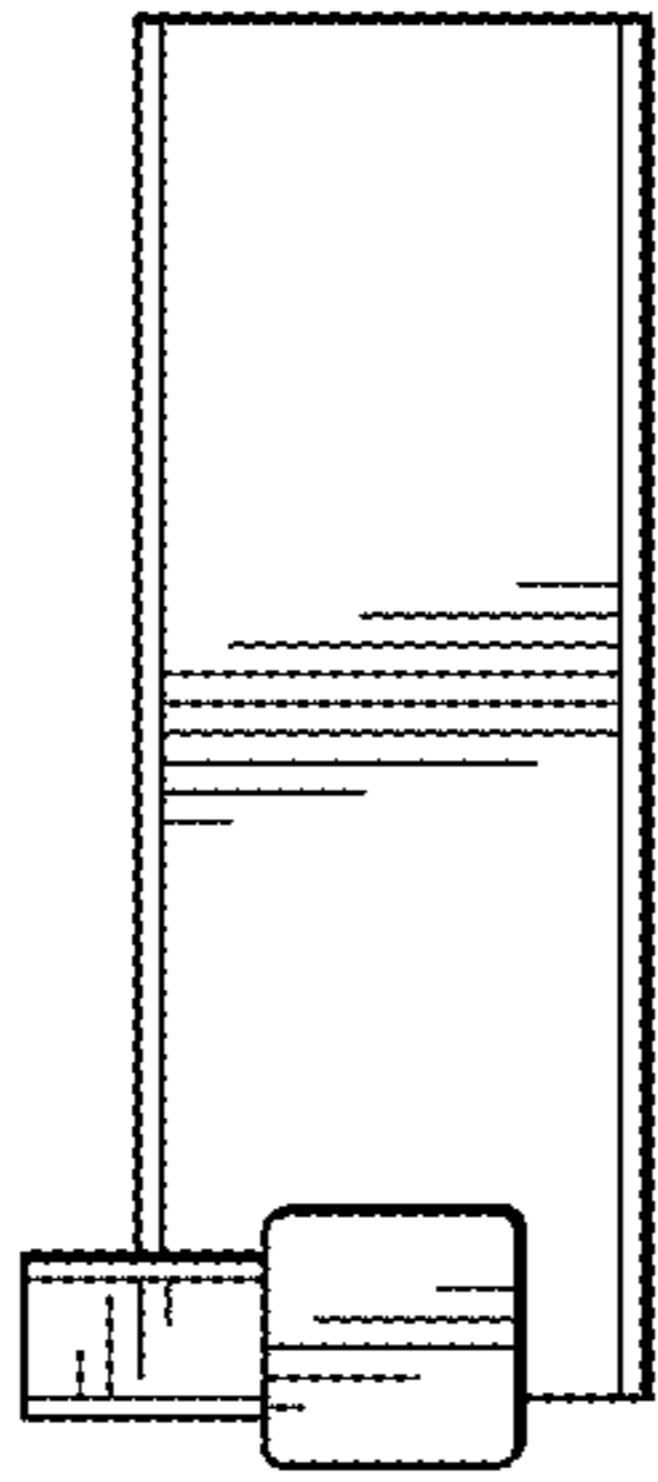


FIG. 4

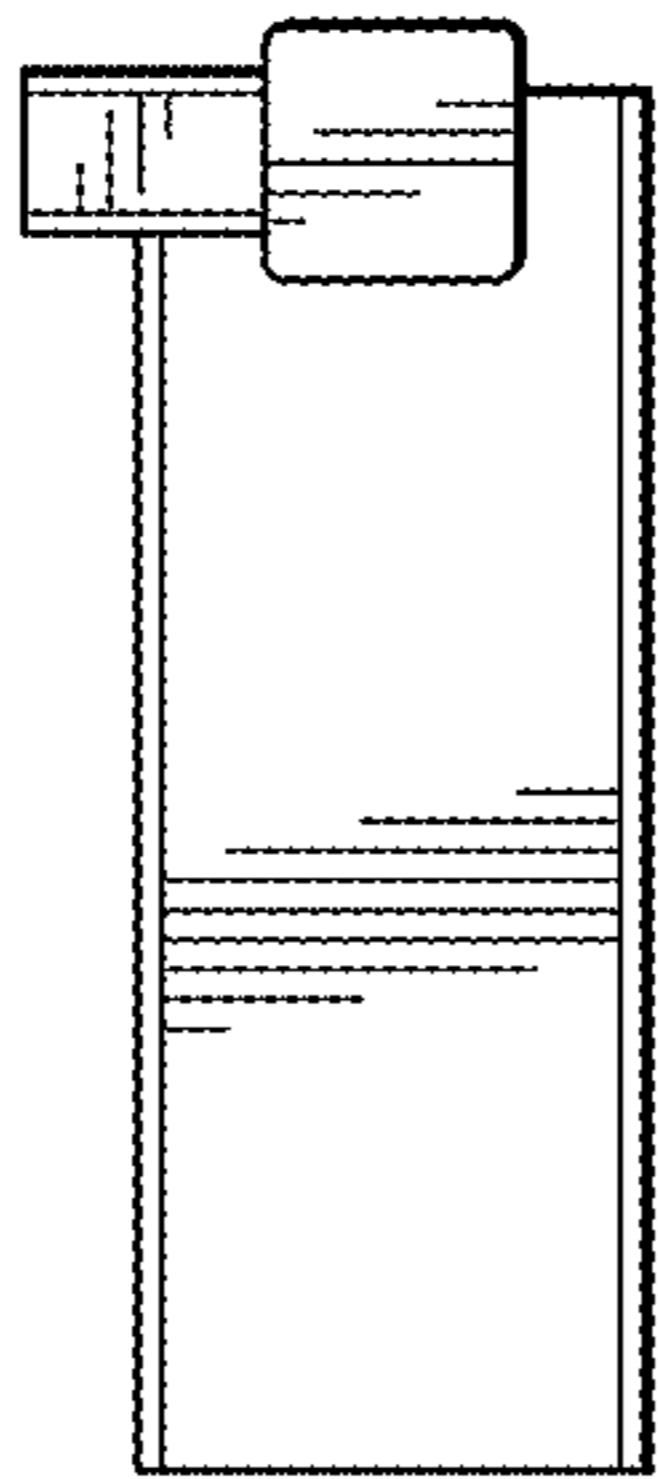


FIG. 3

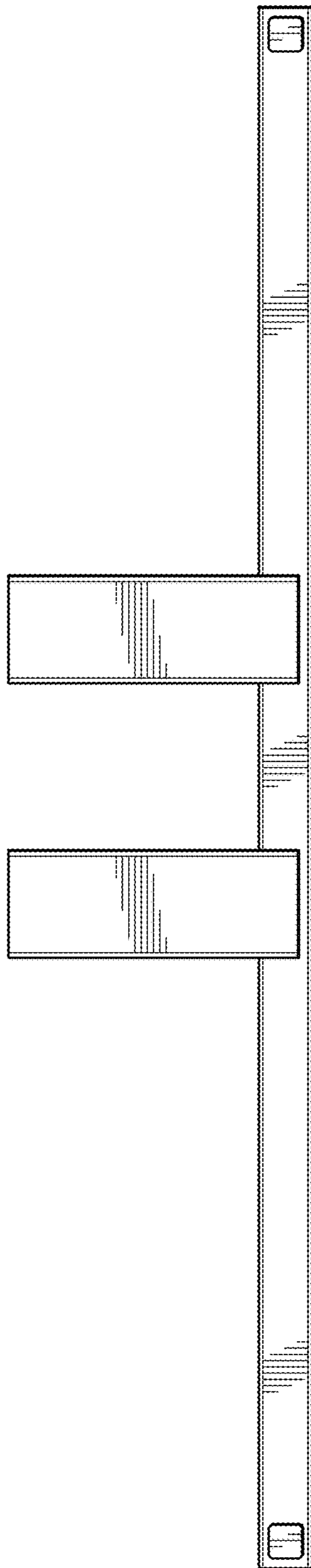


FIG.5

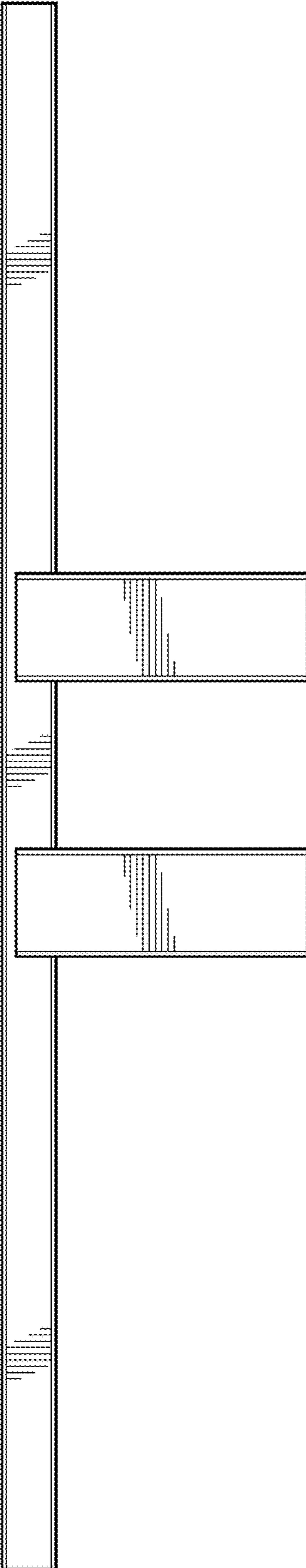


FIG.6