



US00D783307S

(12) **United States Design Patent** (10) **Patent No.:** **US D783,307 S**  
**Kuo** (45) **Date of Patent:** **\*\* Apr. 11, 2017**

(54) **RACK**  
(71) Applicant: **Jerry Kuo-Yung Kuo**, Taichung (TW)  
(72) Inventor: **Jerry Kuo-Yung Kuo**, Taichung (TW)  
(\*\*) Term: **15 Years**  
(21) Appl. No.: **29/569,487**

D486,337 S \* 2/2004 Hoernig ..... D6/548  
D492,868 S \* 7/2004 Ayers ..... D6/524  
D514,857 S \* 2/2006 Hoernig ..... D6/548  
D540,594 S \* 4/2007 Hoernig ..... D6/548  
D577,939 S \* 10/2008 Rubin ..... D6/548  
D587,945 S \* 3/2009 Rubin ..... D6/548  
D666,042 S \* 8/2012 Blakley ..... D23/304  
D670,944 S \* 11/2012 Cittadino ..... D6/548  
2011/0017690 A1\* 1/2011 Wang ..... A47B 43/003  
211/87.01

(22) Filed: **Jun. 28, 2016**  
(51) **LOC (10) Cl.** ..... **06-04**  
(52) **U.S. Cl.**  
USPC ..... **D6/549**; D6/513  
(58) **Field of Classification Search**  
USPC ..... D6/546-550, 512-525; D8/300,  
D8/315-321, 354, 363, 373, 380;  
108/28-29; 211/13.1, 16, 85.5, 86.01,  
211/87.01, 88.04, 100, 105.1, 105.2, 106,  
211/113, 123, 181.1, 182-183; 248/49,  
248/175, 176.1, 200, 201, 205.1, 251,  
248/302, 309.1, 315; 242/570, 590,  
242/595-598  
CPC ..... A47K 10/3836; A47K 10/38  
See application file for complete search history.

**OTHER PUBLICATIONS**

TowelBarSupplier.com, Towel rack Towel bar M066, Jan. 12, 2017,  
[http://www.towelbarsupplier.com/products\\_info/Towel-rack-Towel-bar-M066-124782.html](http://www.towelbarsupplier.com/products_info/Towel-rack-Towel-bar-M066-124782.html).\*

\* cited by examiner

*Primary Examiner* — David Muller  
*Assistant Examiner* — Nathan Johnston  
(74) *Attorney, Agent, or Firm* — LeClairRyan

(57) **CLAIM**

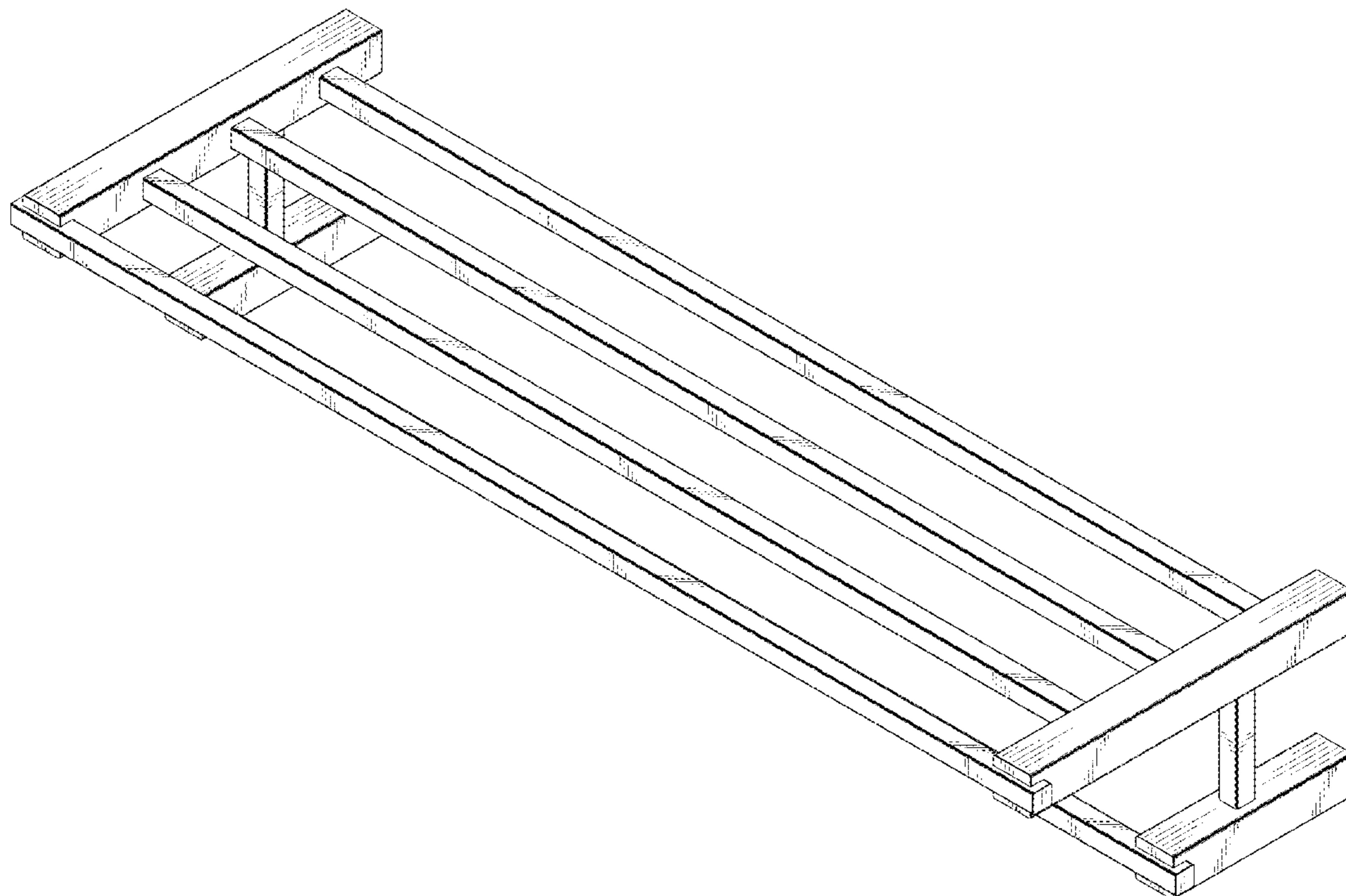
The ornamental design for a rack, as shown and described.

**DESCRIPTION**

FIG. 1 is a perspective view of a rack showing my new design;  
FIG. 2 is a front elevational view thereof;  
FIG. 3 is a left side elevational view thereof;  
FIG. 4 is a right side elevational view thereof;  
FIG. 5 is a top plan view thereof; and,  
FIG. 6 is a bottom plan view thereof.

**1 Claim, 6 Drawing Sheets**

(56) **References Cited**  
U.S. PATENT DOCUMENTS  
D118,630 S \* 1/1940 Sanford ..... D6/548  
D265,360 S \* 7/1982 Duggan ..... D6/519  
4,901,871 A \* 2/1990 Ohm ..... D06F 57/127  
211/105.1  
D390,378 S \* 2/1998 Whitehead ..... D20/10



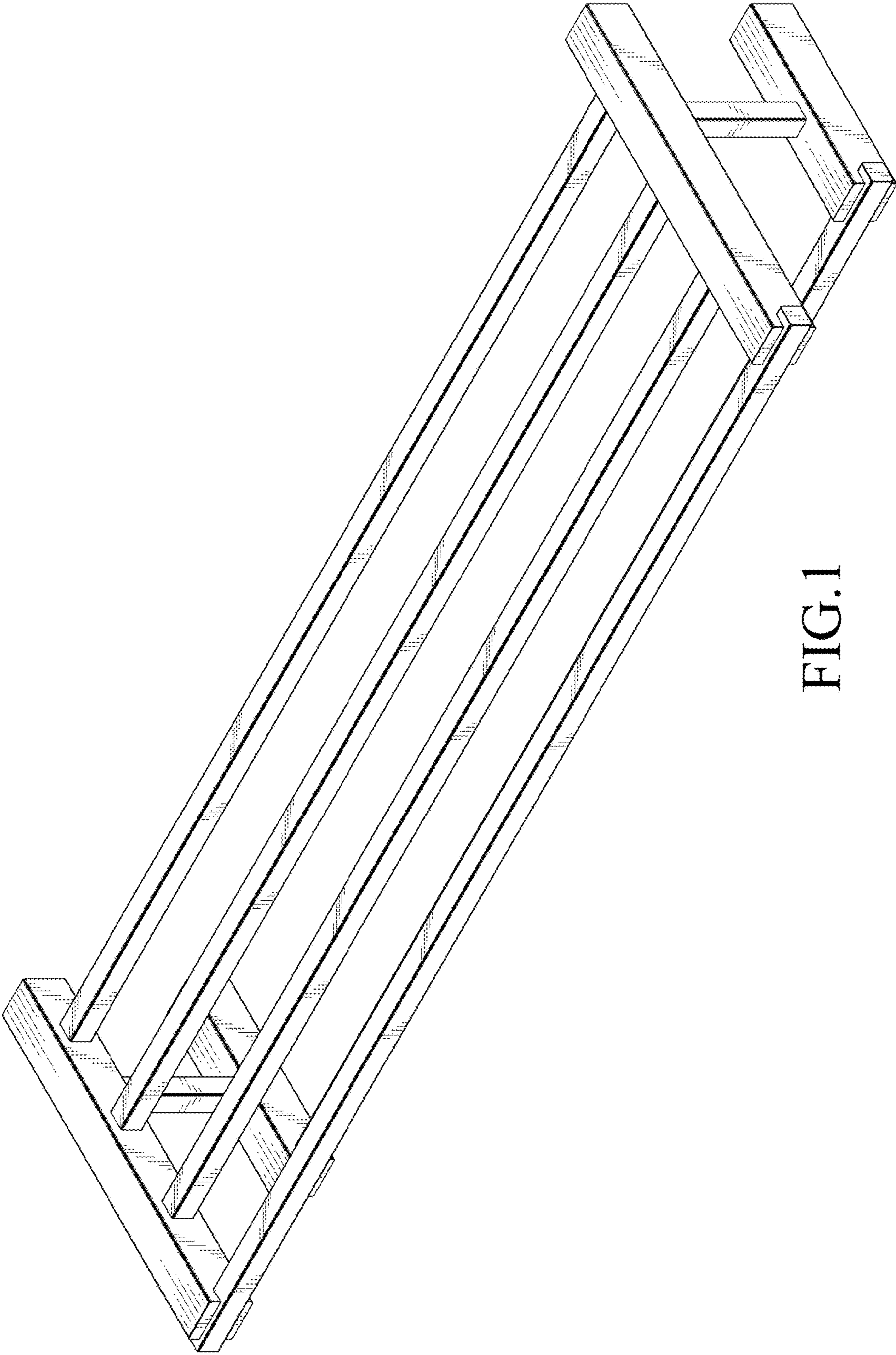


FIG.1

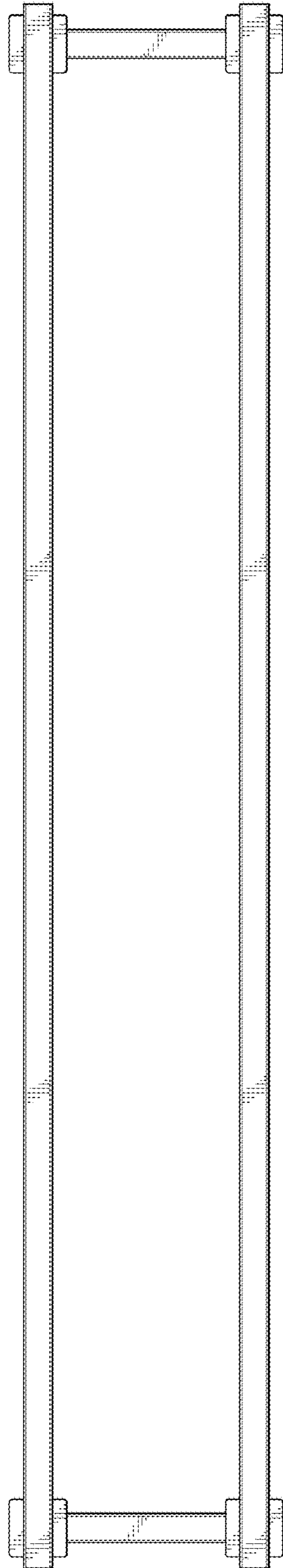


FIG.2

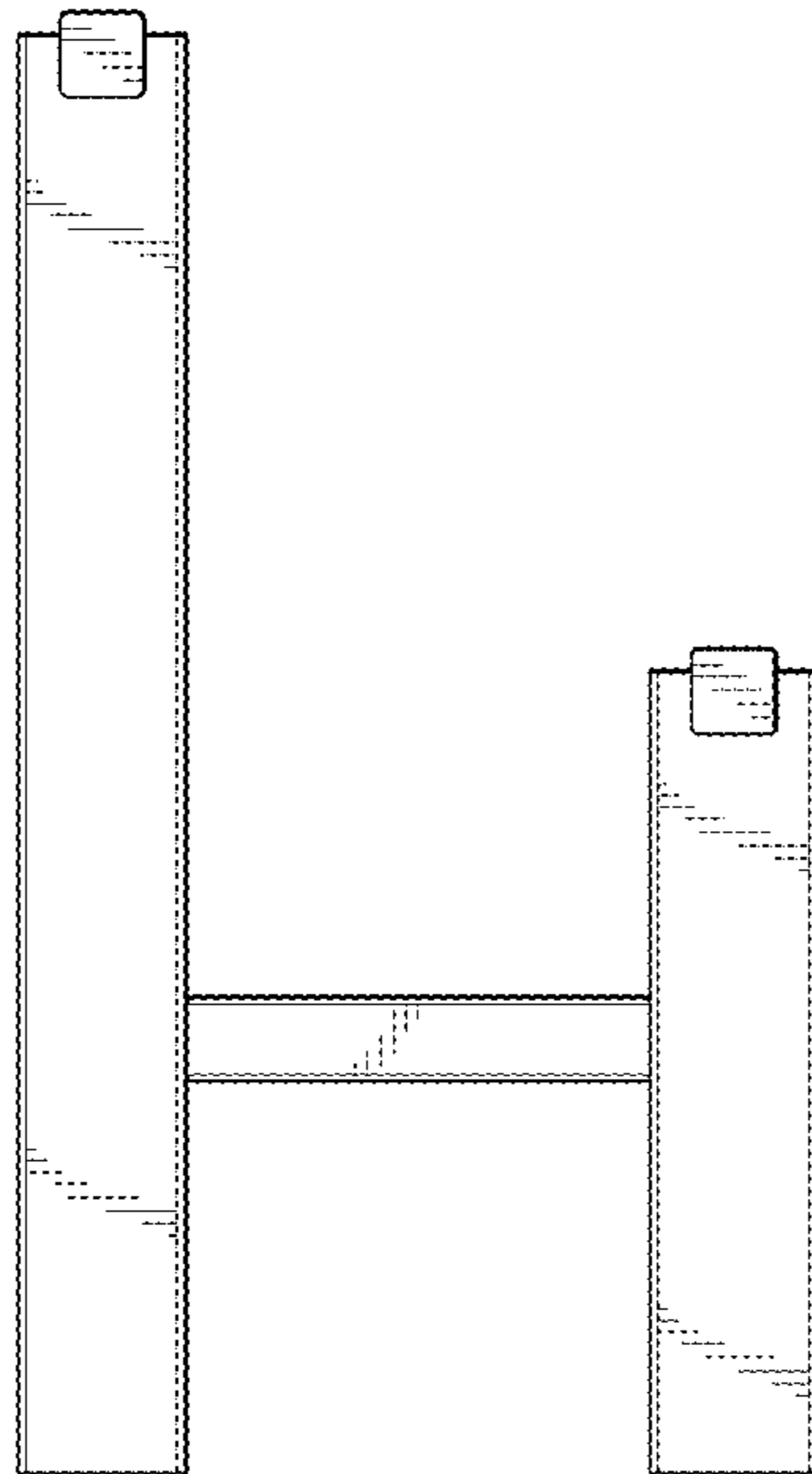


FIG.3

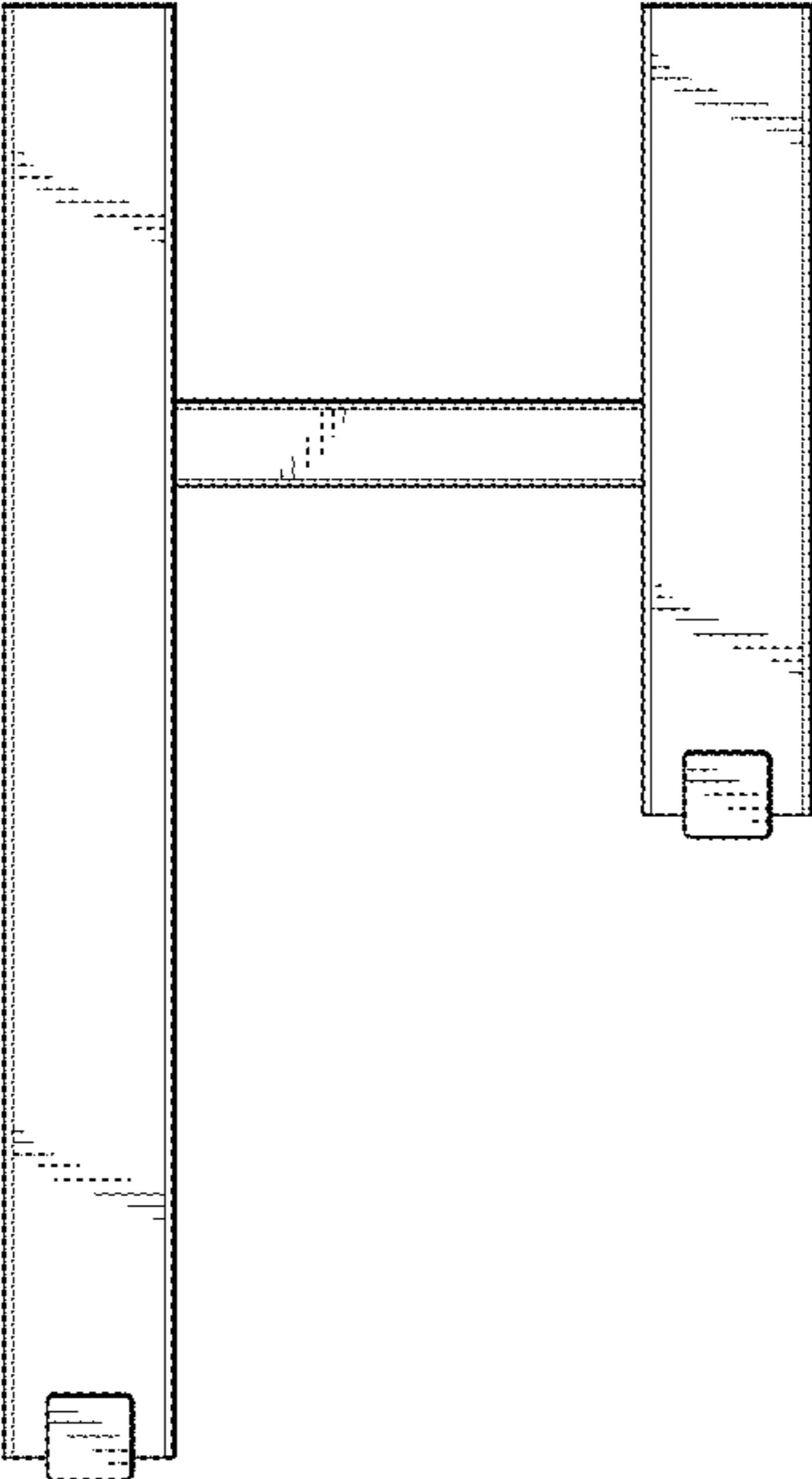


FIG.4

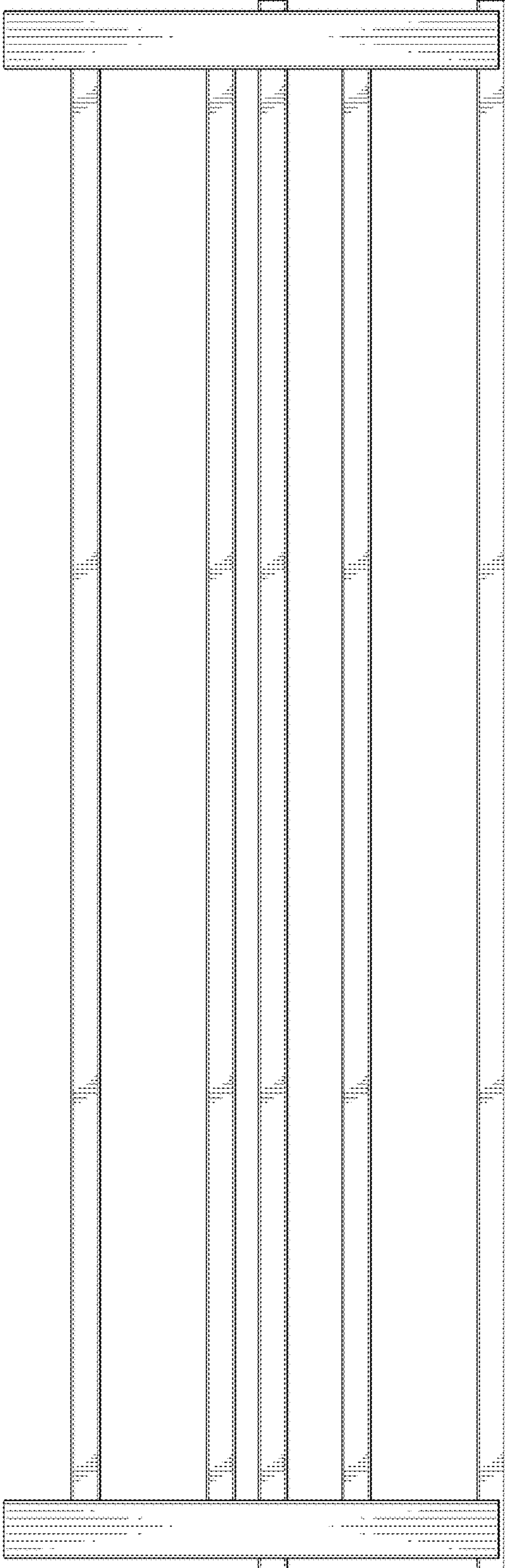


FIG. 5

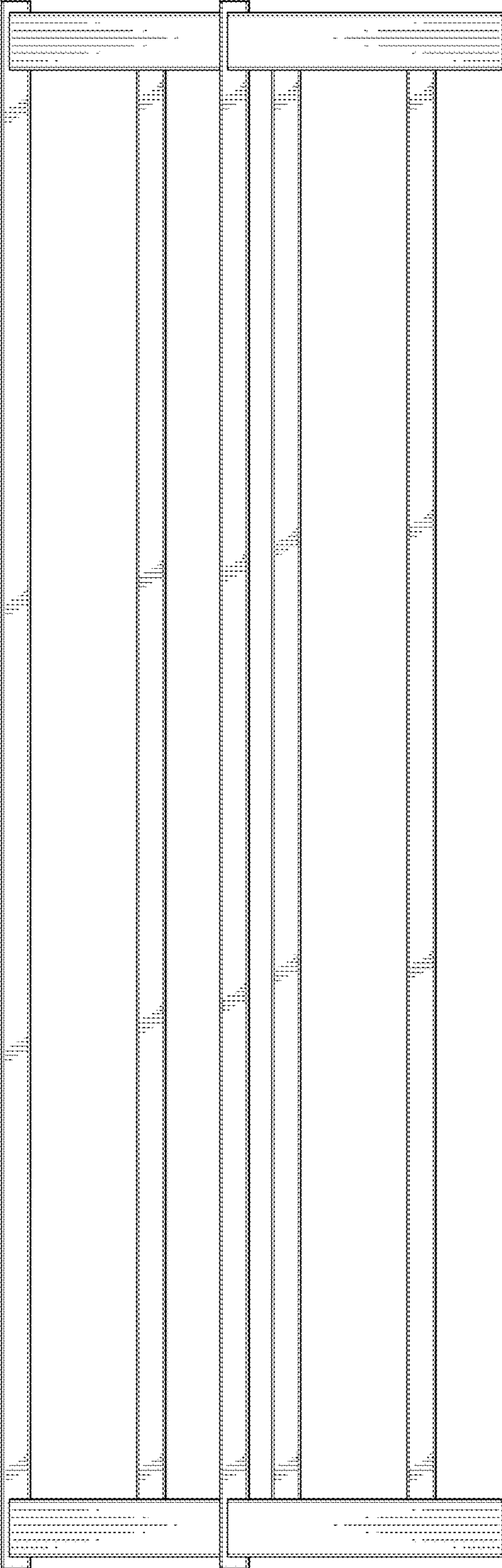


FIG.6