



US00D783306S

(12) **United States Design Patent** (10) **Patent No.:** **US D783,306 S**
Gal (45) **Date of Patent:** **** Apr. 11, 2017**

(54) **TOOTHBRUSH HOLDING CONTAINER**

(71) Applicant: **Jesmenia Gal**, Lehigh Acres, FL (US)

(72) Inventor: **Jesmenia Gal**, Lehigh Acres, FL (US)

(**) Term: **14 Years**

(21) Appl. No.: **29/522,034**

(22) Filed: **Mar. 27, 2015**

(51) **LOC (10) Cl.** **23-02**

(52) **U.S. Cl.**
USPC **D6/534**

(58) **Field of Classification Search**
USPC D6/534, 524, 526, 527, 528, 529-531,
D6/551; D7/635, 701; D21/584, 604,
D21/611; 206/208, 209, 209.1, 228, 361,
206/362, 362.1, 362.2, 362.3, 77.1;
211/13.1, 66, 70.6, 86.01, 87.01, 88.01,
211/126.1, 134; D4/104, 108, 113;
248/309.1

CPC A47K 1/09; A47K 5/18; A45D 44/18
See application file for complete search history.

(56) **References Cited**

U.S. PATENT DOCUMENTS

D28,639 S *	5/1898	Gere	D9/430
2,713,938 A *	7/1955	Snyder	B65D 85/04
				206/395
2,715,509 A *	8/1955	Paige	A47F 5/112
				211/126.1
D206,306 S *	11/1966	Holms	D6/678
D236,839 S *	9/1975	Poll	D30/101
D268,385 S *	3/1983	Sinopoli	D30/101
4,995,511 A	2/1991	Evans		
5,020,664 A *	6/1991	Hughes	B65D 85/08
				206/361
5,209,391 A *	5/1993	Krautsack	B65D 5/0218
				229/104
D370,812 S	6/1996	Simmonds		

D385,186 S *	10/1997	Fildan	D9/430
5,769,245 A	6/1998	Butler		
6,003,964 A	12/1999	Baker		
D429,429 S *	8/2000	Murphy	D6/678
D457,013 S *	5/2002	Blair	D6/678
6,935,515 B1	8/2005	Sookoo		
D572,041 S *	7/2008	Woolnough	D6/678
7,951,343 B1	5/2011	Davis		
D756,037 S *	5/2016	Schlatter	D28/85
2006/0204416 A1	9/2006	Hayes et al.		

FOREIGN PATENT DOCUMENTS

WO WO02069771 9/2002

* cited by examiner

Primary Examiner — David Muller
Assistant Examiner — Nathan Johnston

(57) **CLAIM**

The ornamental design for a toothbrush holding container, as shown and described.

DESCRIPTION

FIG. 1 is an exploded front elevation view of a toothbrush holding container showing my new design, an exploded back elevation view being a mirror image thereof, an exploded right side elevation view being identical, an exploded left side elevation view being a mirror image thereof;

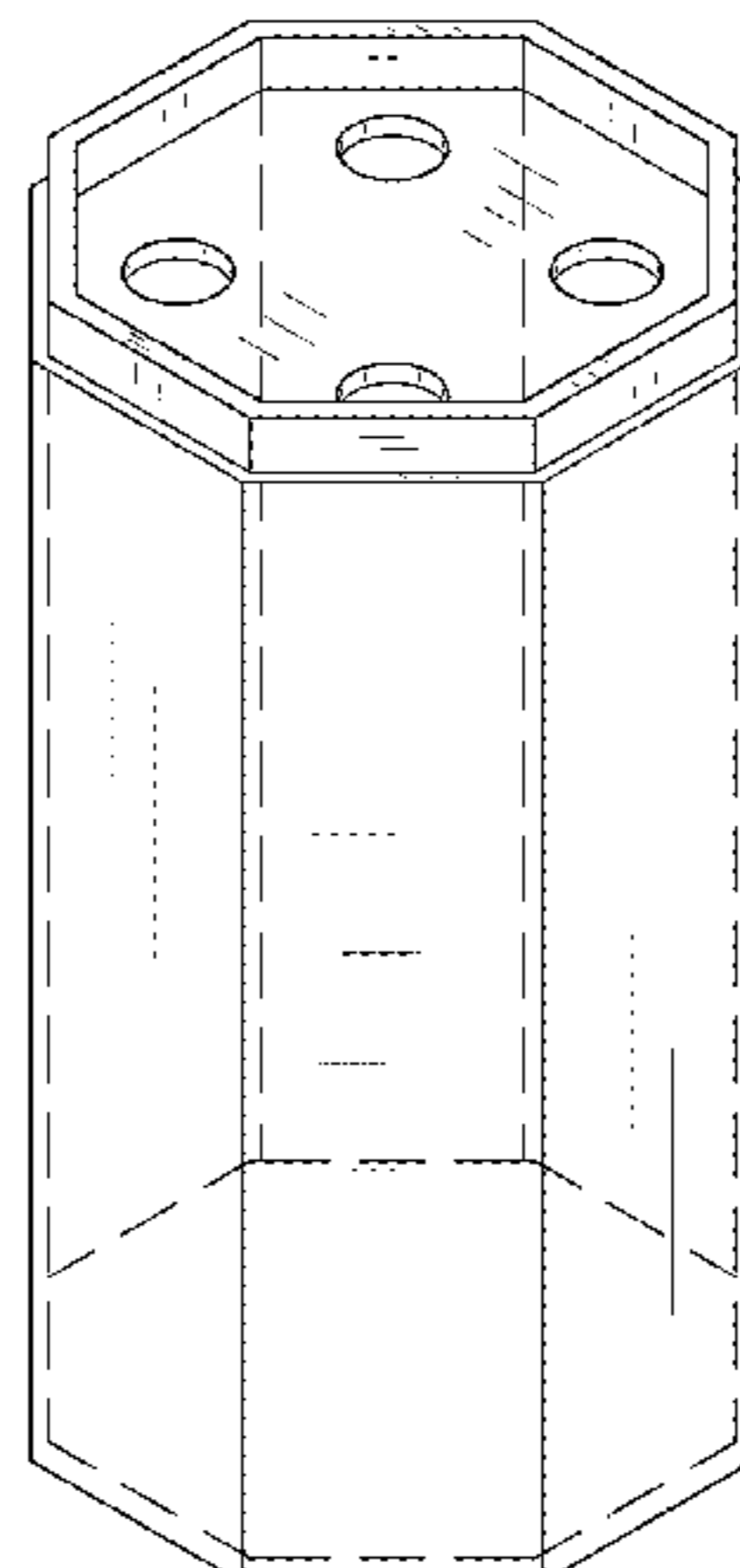
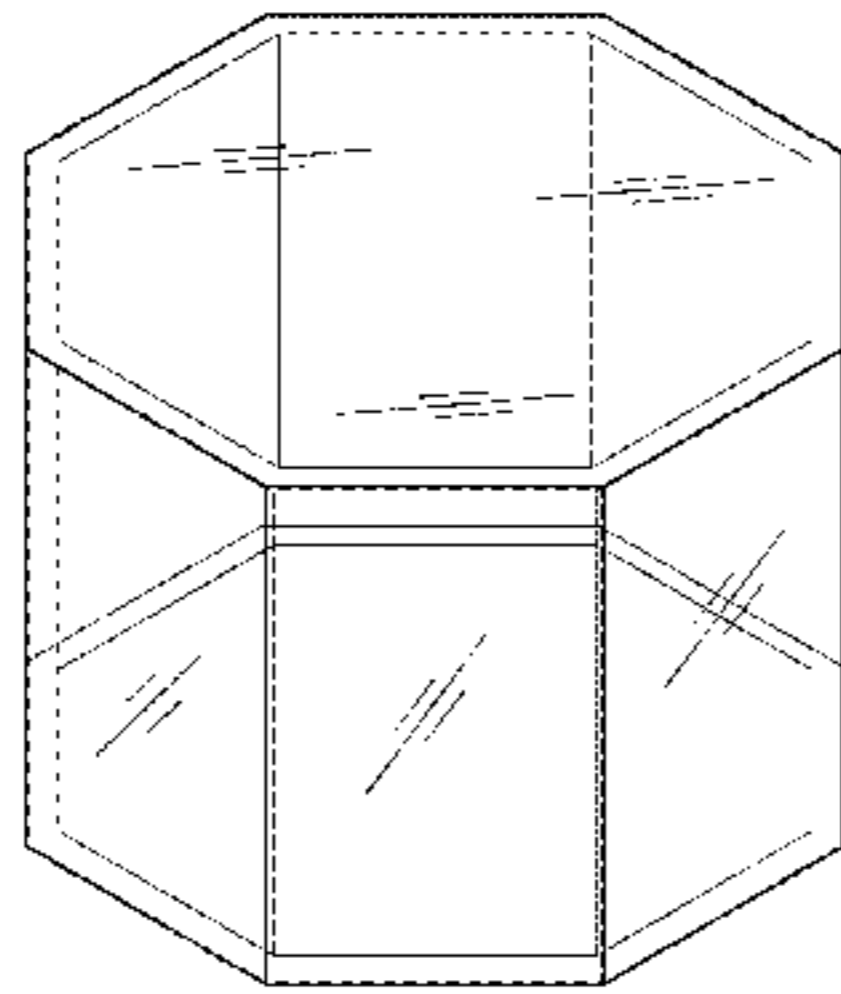
FIG. 2 is an exploded top plan view thereof;

FIG. 3 is an exploded bottom plan view thereof; and,

FIG. 4 is an exploded top front side perspective view thereof.

The broken line showing of toothbrush holding container is included for the purpose of illustrating portions of the "article" and forms no part of the claimed design.

1 Claim, 4 Drawing Sheets



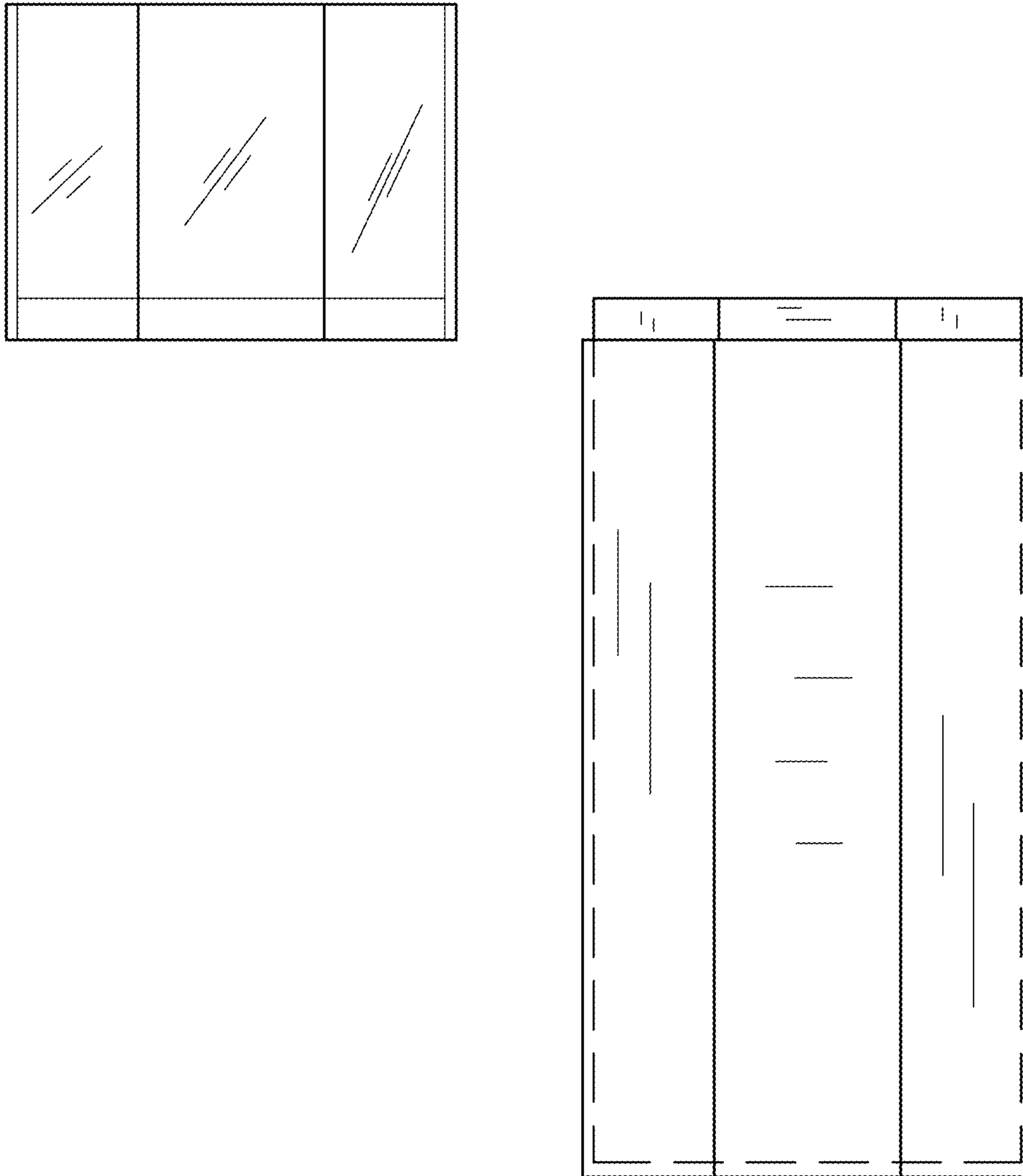


FIG. 1

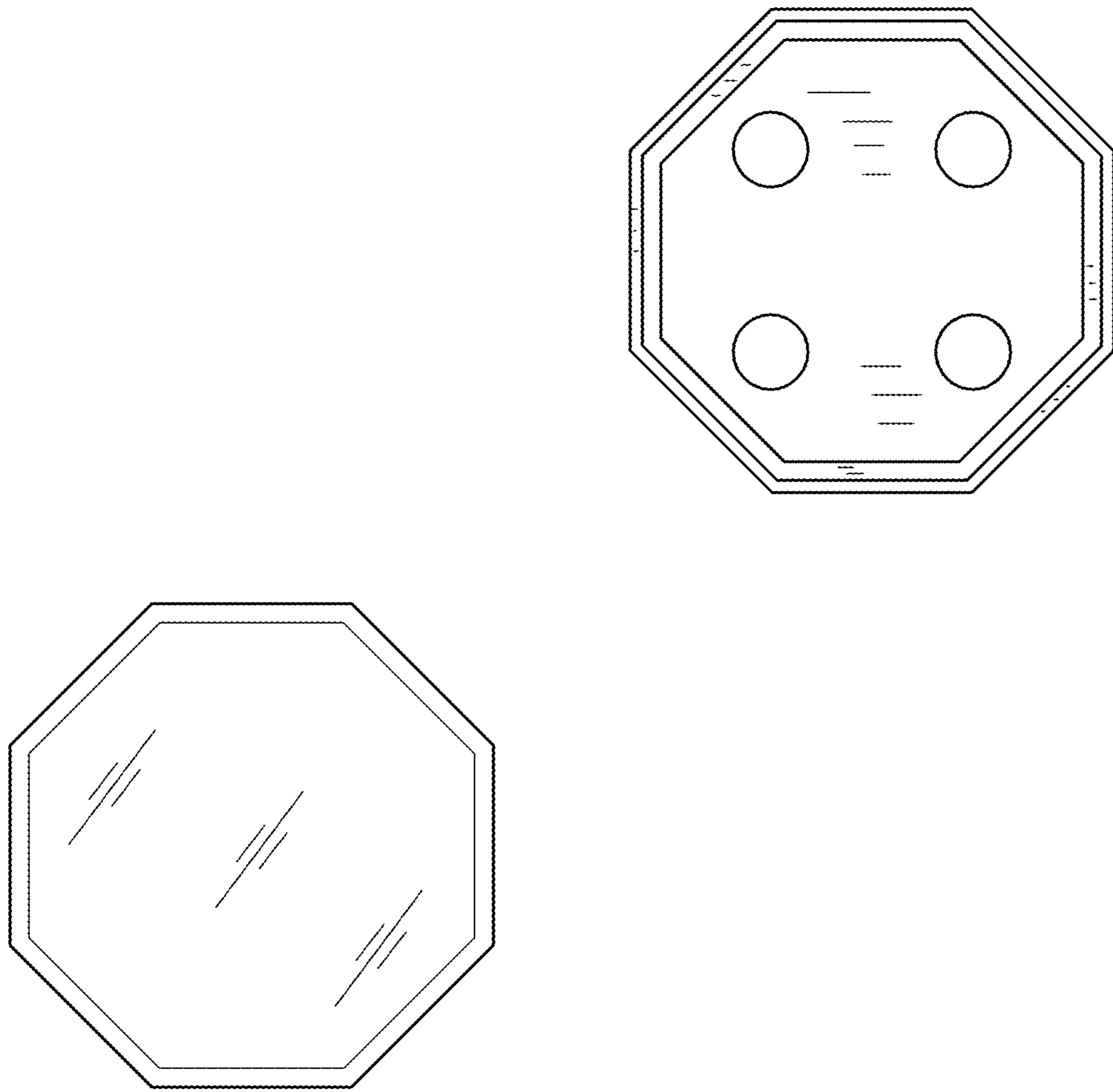


FIG. 2

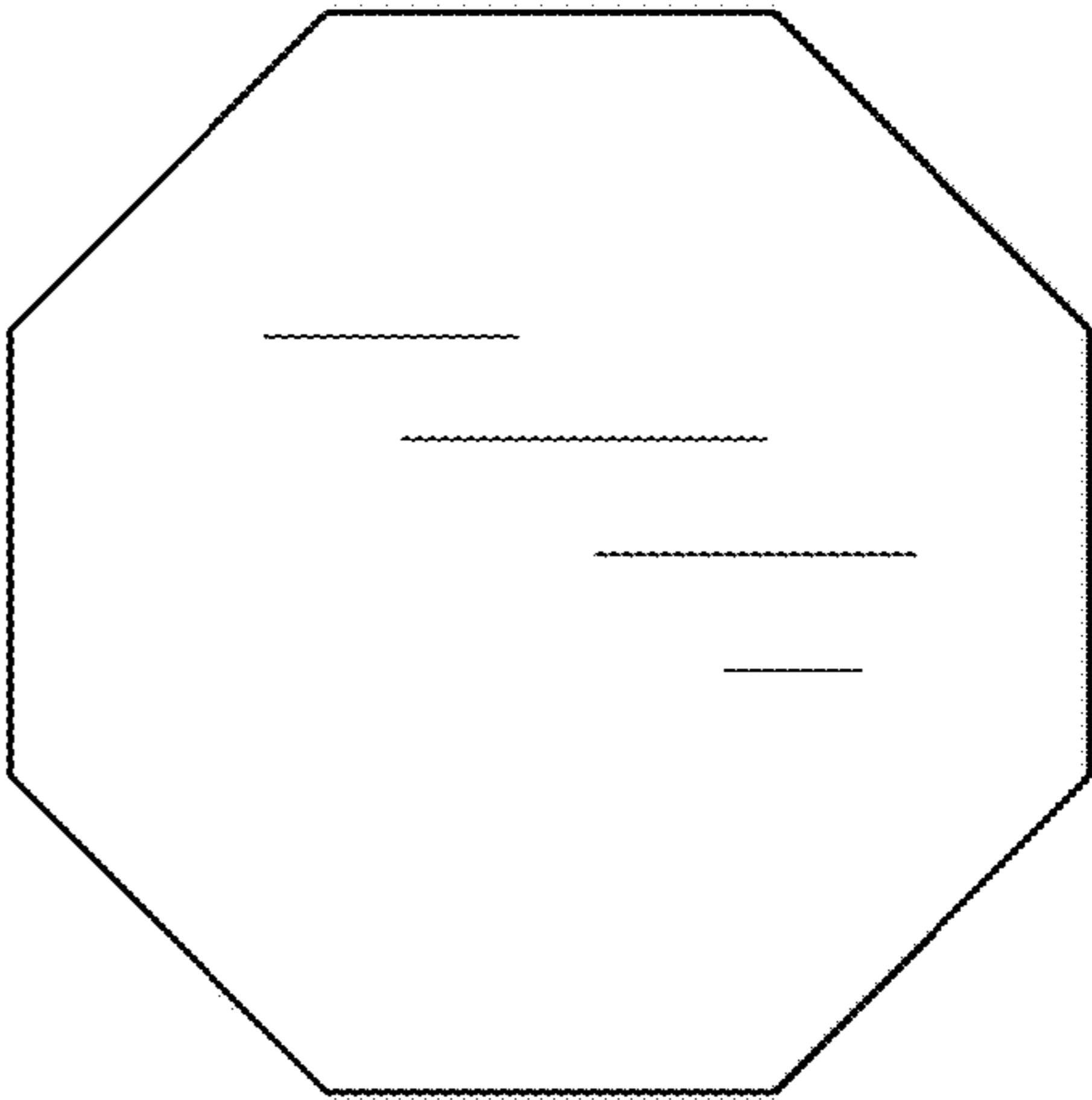
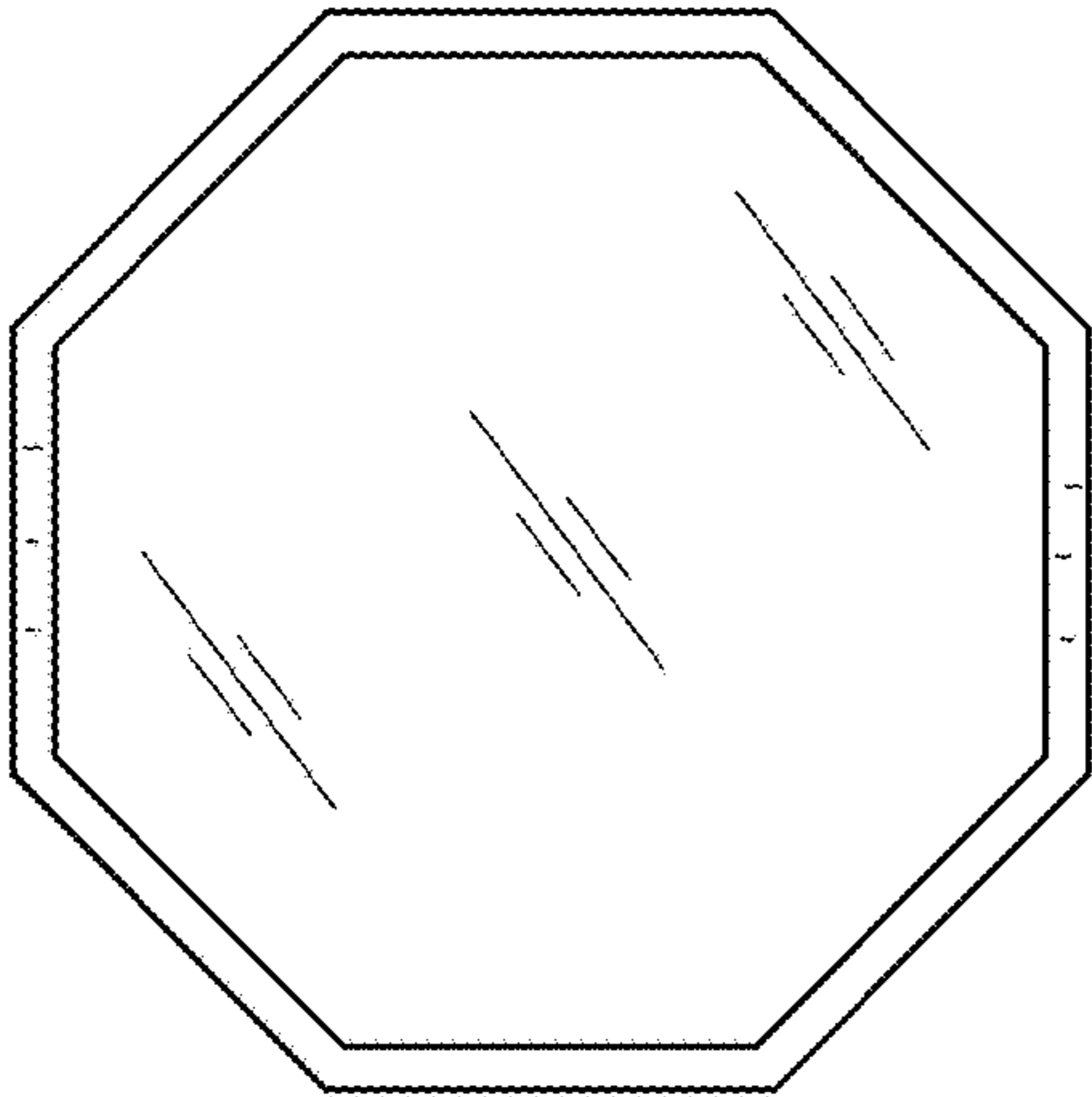


FIG. 3

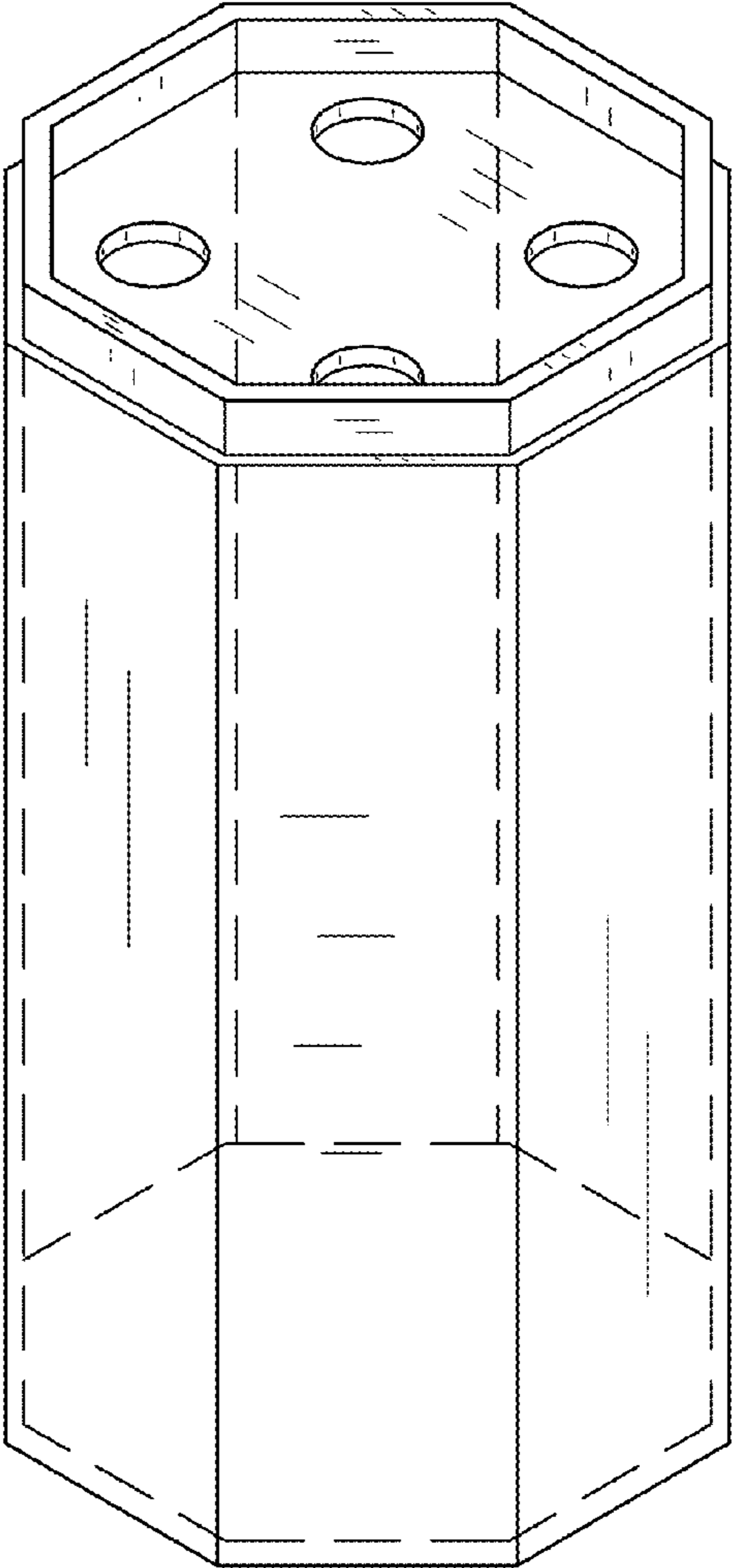
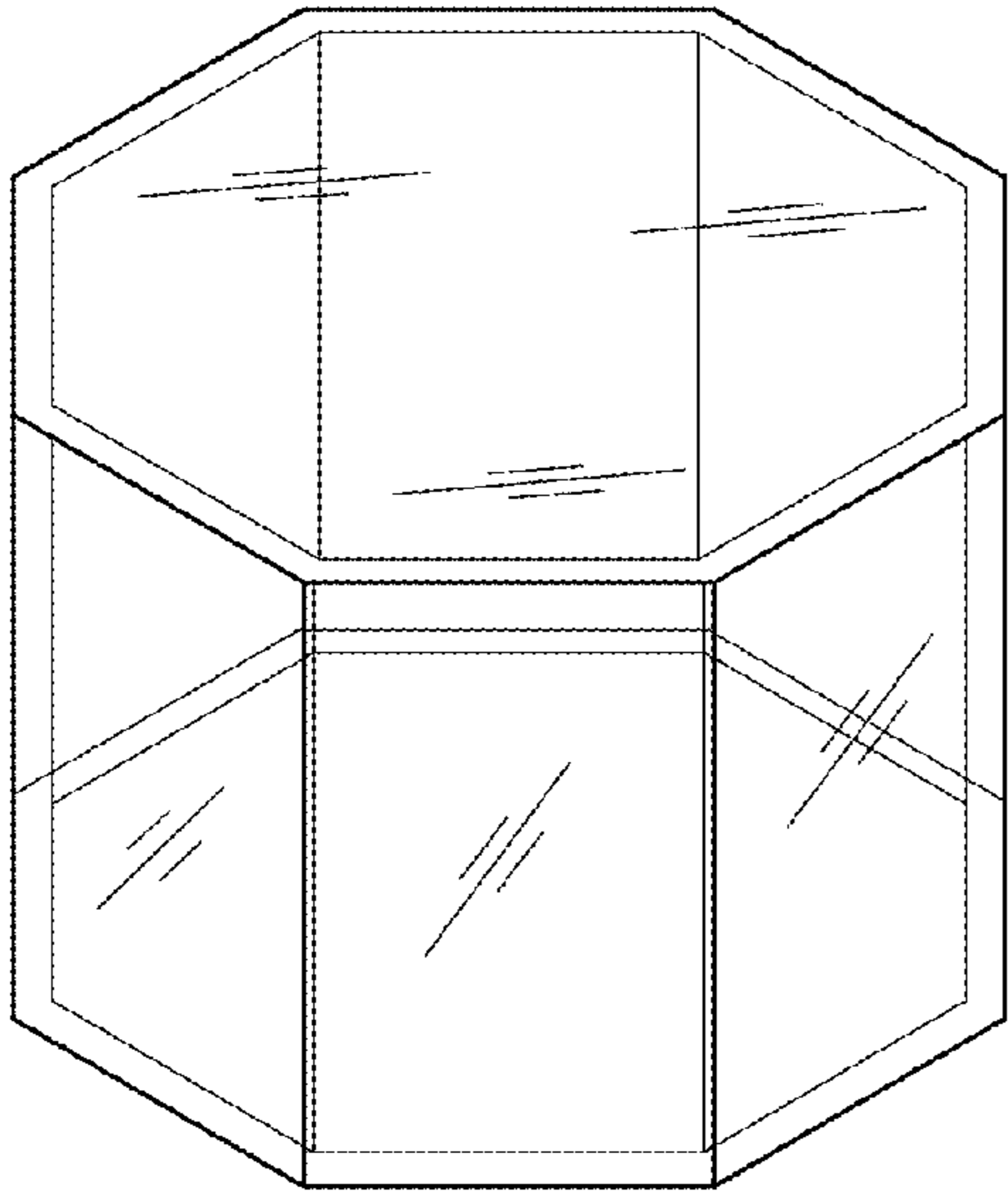


FIG. 4