



US00D783304S

(12) **United States Design Patent**
Gray et al.

(10) **Patent No.:** **US D783,304 S**

(45) **Date of Patent:** **** Apr. 11, 2017**

(54) **MEDICAL GLOVE DISPENSER**
(71) Applicants: **Corey Gray**, Racine, WI (US); **Tammy Gray**, Racine, WI (US)
(72) Inventors: **Corey Gray**, Racine, WI (US); **Tammy Gray**, Racine, WI (US)

(**) Term: **15 Years**

(21) Appl. No.: **29/553,744**

(22) Filed: **Feb. 4, 2016**

(51) **LOC (10) Cl.** **20-02**

(52) **U.S. Cl.**
USPC **D6/515**

(58) **Field of Classification Search**
USPC D6/515-523; 206/389, 391; 312/34, 312/34.8, 34.22, 309.1; 211/13.1, 16, 44, 211/49.1, 50, 59.2, 86.01; 221/282, 283; 222/173, 181.1; D9/307, 521, 529, 419, D9/420; D3/20, 301; D28/66
CPC A61B 42/40; G06Q 50/22; G08N 21/245; A47G 25/904
See application file for complete search history.

(56) **References Cited**

U.S. PATENT DOCUMENTS

1,826,084 A * 10/1931 Mohr B65D 85/04
206/409
4,708,273 A 11/1987 Grant
5,265,785 A 11/1993 Chudy
5,316,177 A * 5/1994 Boldt B65D 83/0805
206/233
5,392,974 A 2/1995 Johnson-Rabbett
D387,981 S * 12/1997 Mosior D3/304
5,816,440 A * 10/1998 Shields B65D 83/0805
206/438
6,000,538 A * 12/1999 Lee A47K 10/421
206/233
D424,853 S * 5/2000 Singletary D6/522

D445,332 S * 7/2001 Breiding D6/522
D445,635 S 7/2001 Gort-Barten
D456,652 S * 5/2002 Smith D6/518
6,550,635 B1 4/2003 King et al.
D475,873 S * 6/2003 Mello D6/515
6,648,172 B2 * 11/2003 Leighton A47K 10/421
206/233
D522,290 S * 6/2006 Ferderer D6/518
D523,267 S * 6/2006 Mays-Hobbs D6/518
7,147,129 B1 * 12/2006 Menefield A61F 6/005
132/315
D550,487 S * 9/2007 Mesalic D6/518
D617,127 S * 6/2010 Wang D6/518
D622,989 S * 9/2010 Lagler D6/515

(Continued)

FOREIGN PATENT DOCUMENTS

EP 0381821 10/1989

Primary Examiner — David Muller
Assistant Examiner — Nathan Johnston

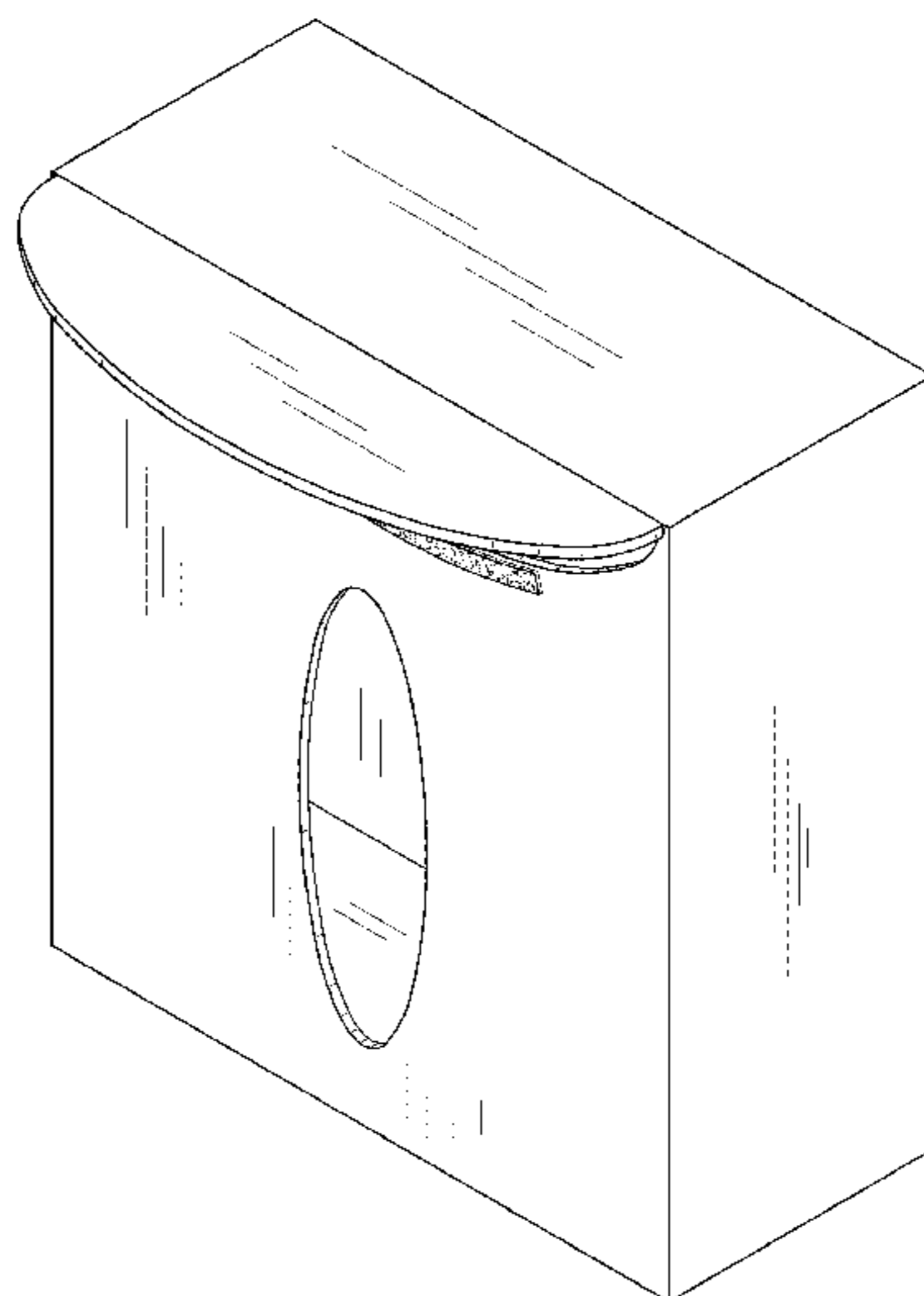
(57) **CLAIM**

The ornamental design for a medical glove dispenser, as shown and described.

DESCRIPTION

FIG. 1 is a front elevation view of a medical glove dispenser showing our new design;
FIG. 2 is a rear elevation view thereof;
FIG. 3 is a left side elevation view thereof, a right side elevation view being a mirror image thereof;
FIG. 4 is a top plan view thereof;
FIG. 5 is a bottom plan view thereof;
FIG. 6 is a top front side perspective view thereof; and,
FIG. 7 is a cross-sectional view thereof taken along line 7-7 of FIG. 1.

1 Claim, 6 Drawing Sheets



(56)

References Cited

U.S. PATENT DOCUMENTS

7,794,382 B2 * 9/2010 Cheich B31D 5/0043
206/409
D647,340 S * 10/2011 Stephens D6/518
8,061,558 B2 11/2011 Jordan et al.
D651,831 S * 1/2012 Becherer D6/518
8,132,692 B2 3/2012 Jordan
D670,517 S * 11/2012 Murphy D6/515
D671,345 S * 11/2012 Rich D6/518
2006/0283752 A1 * 12/2006 Alegre de
Miquel A47K 10/421
206/494
2011/0147249 A1 * 6/2011 Huffman B65D 5/0254
206/395
2014/0076915 A1 * 3/2014 Becherer B65D 5/705
221/33
2016/0023838 A1 * 1/2016 Chu B65B 7/26
221/1
2016/0051330 A1 * 2/2016 Cosentino, II A61B 19/045
221/45

* cited by examiner

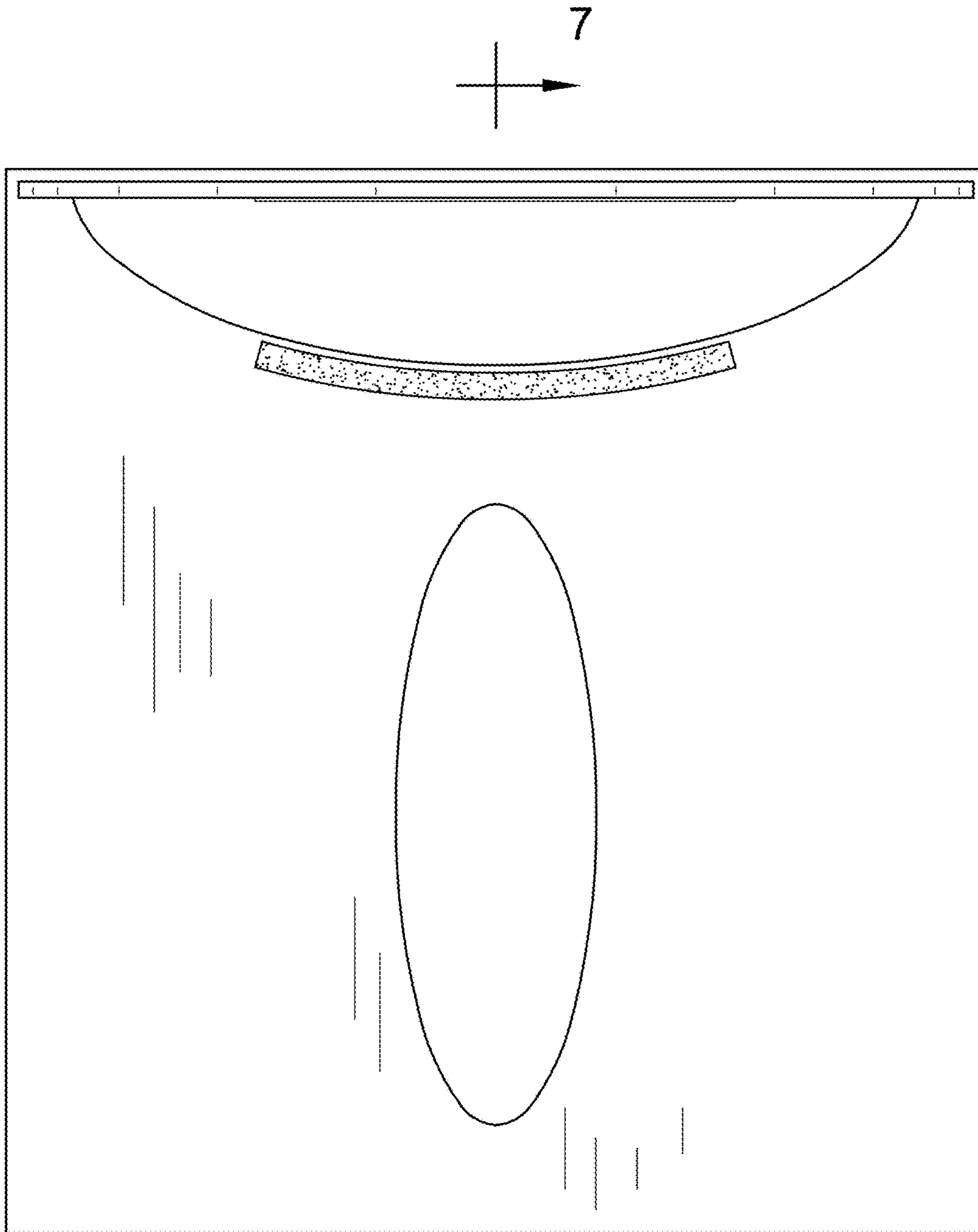
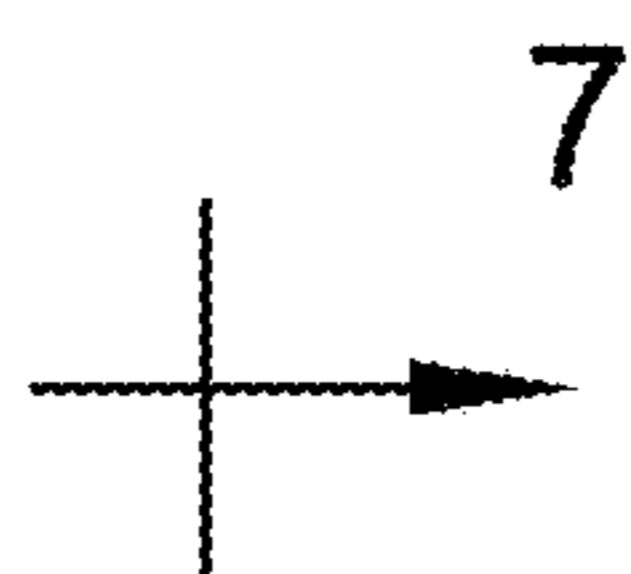


FIG. 1



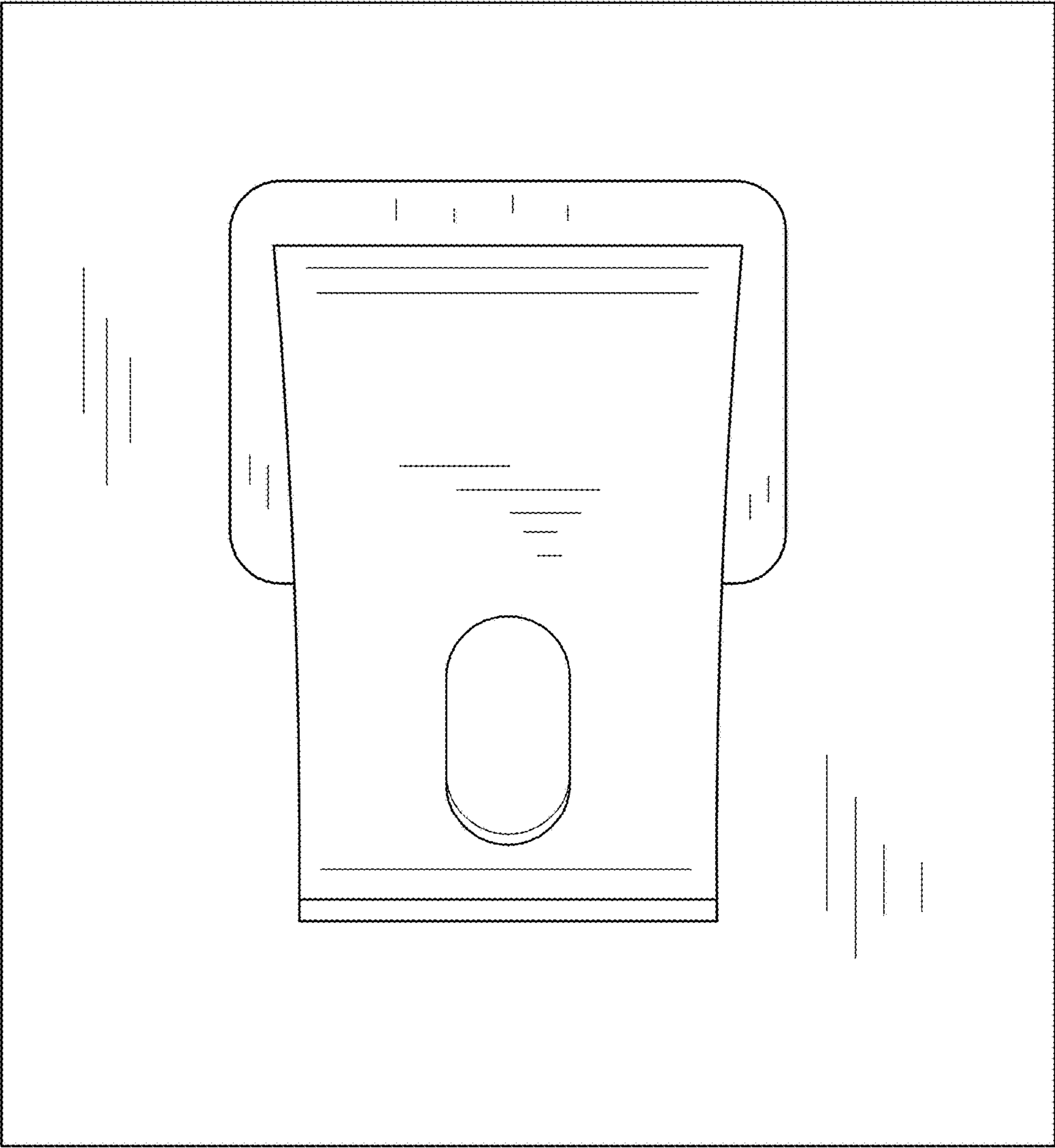


FIG. 2

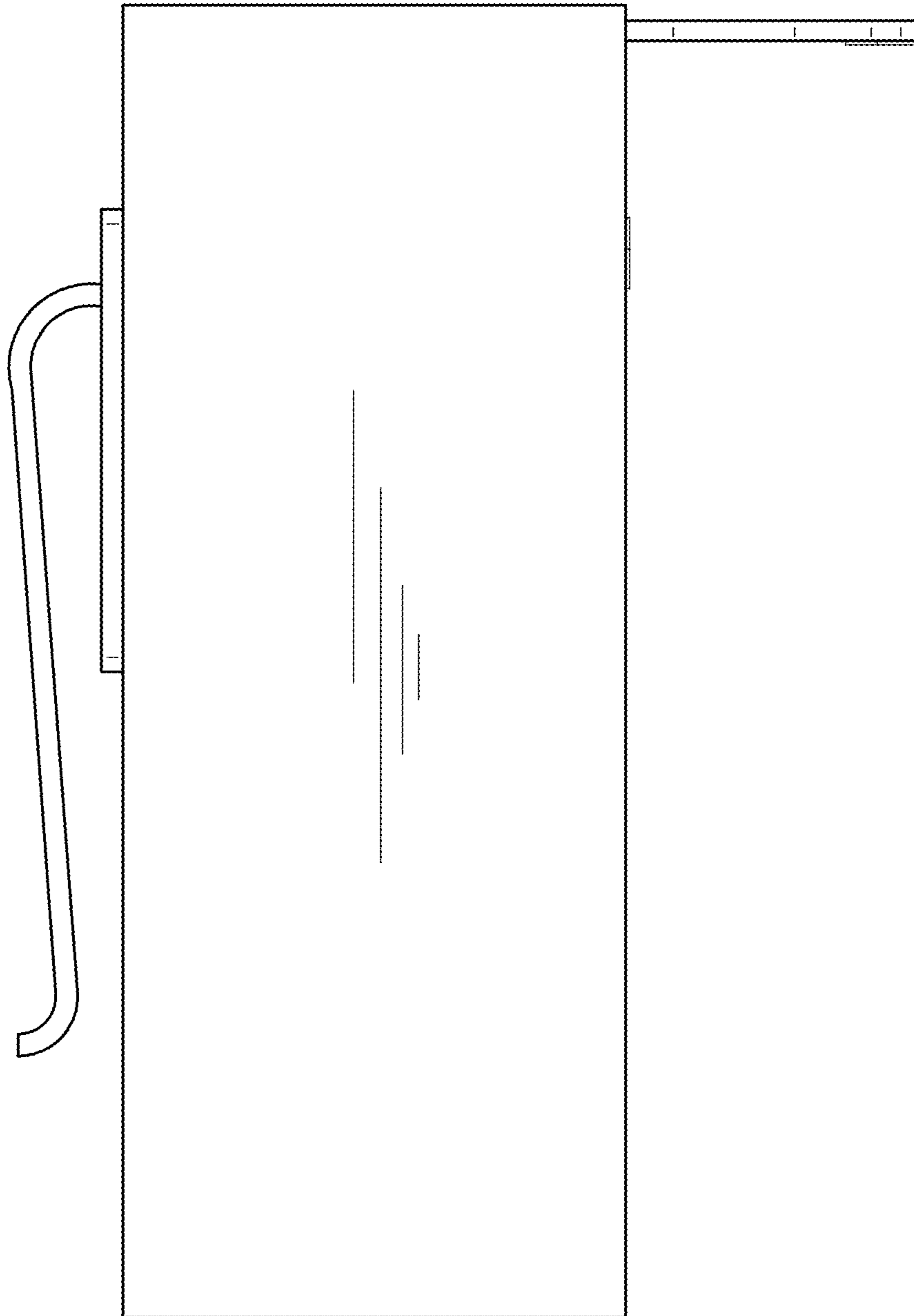


FIG. 3

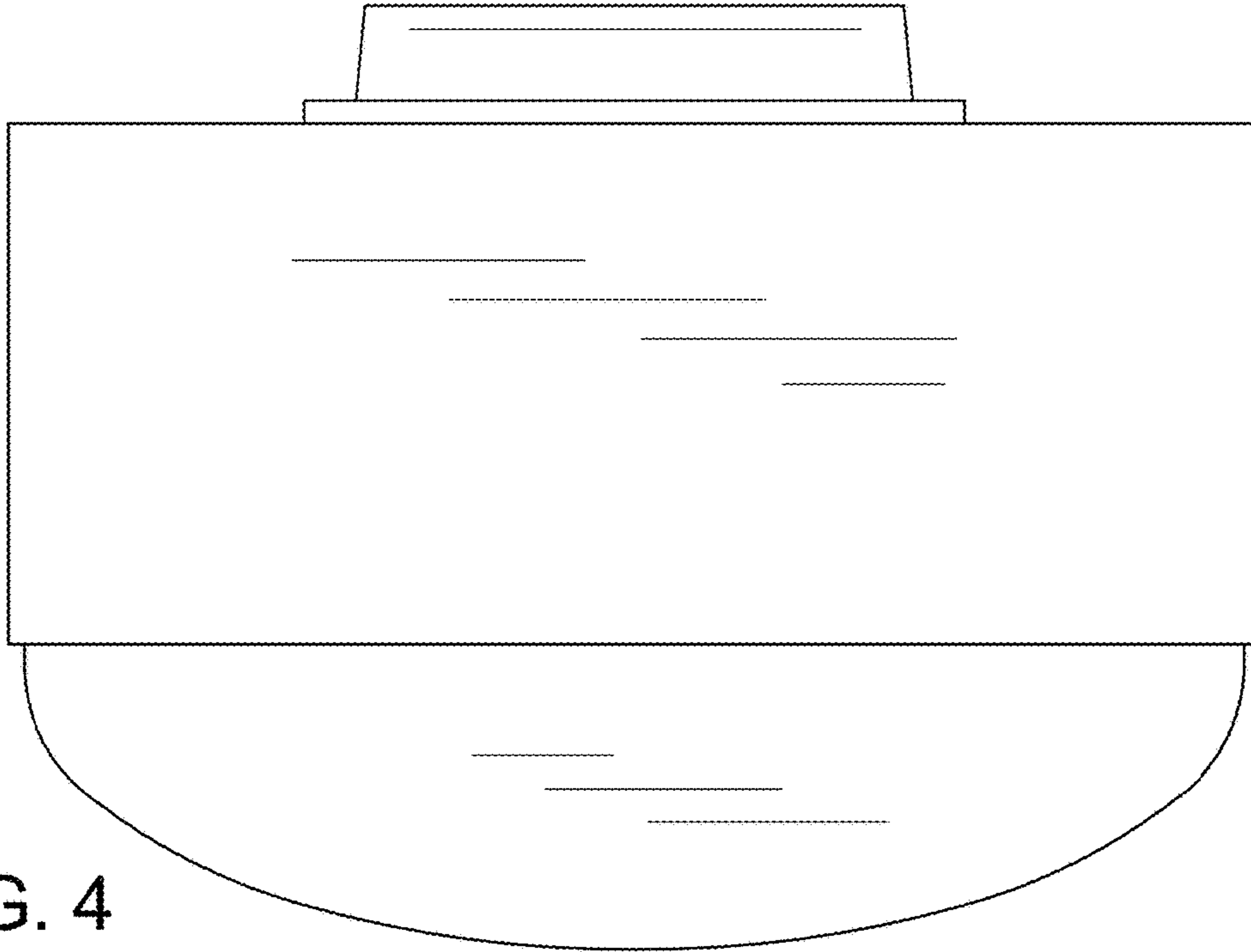


FIG. 4

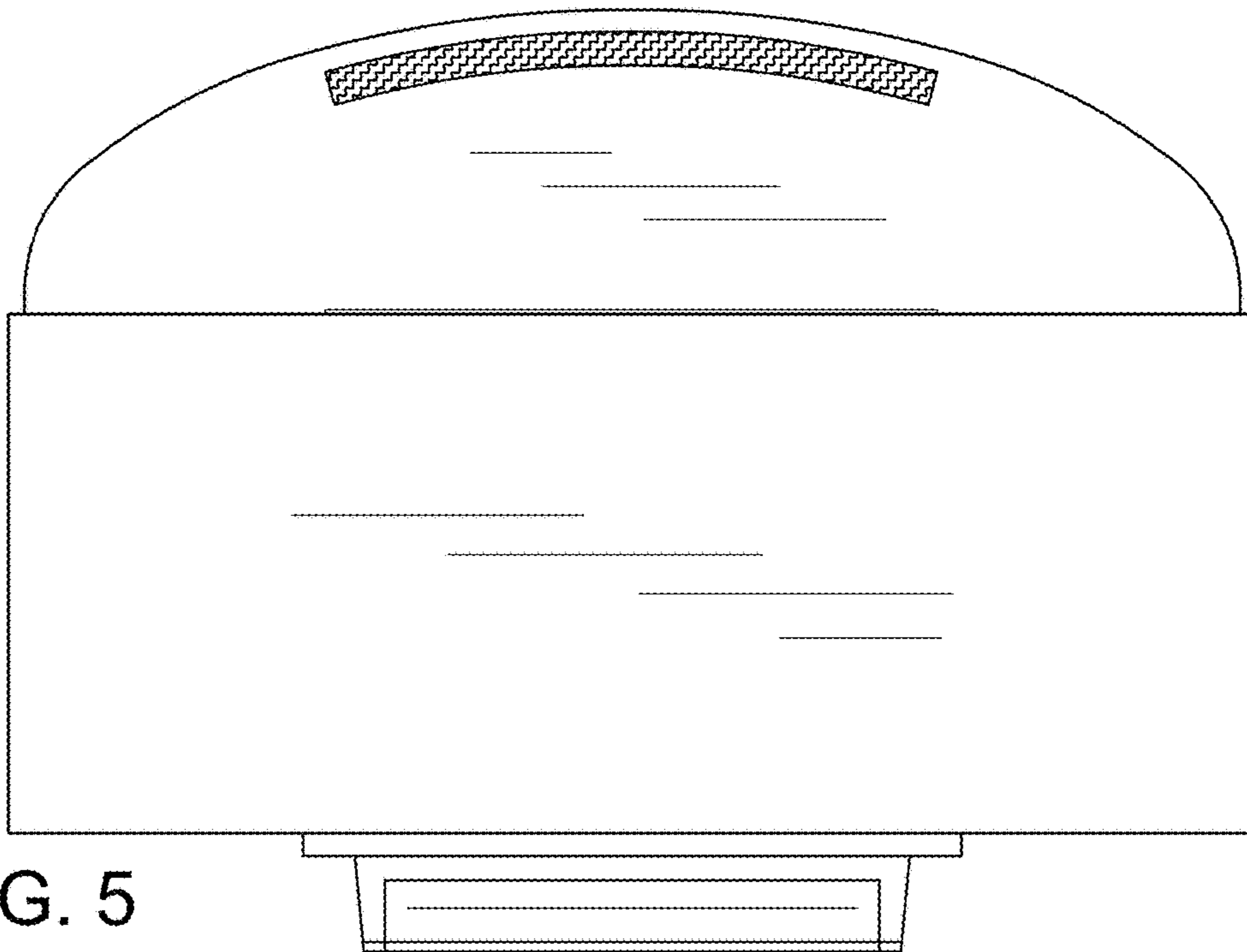


FIG. 5

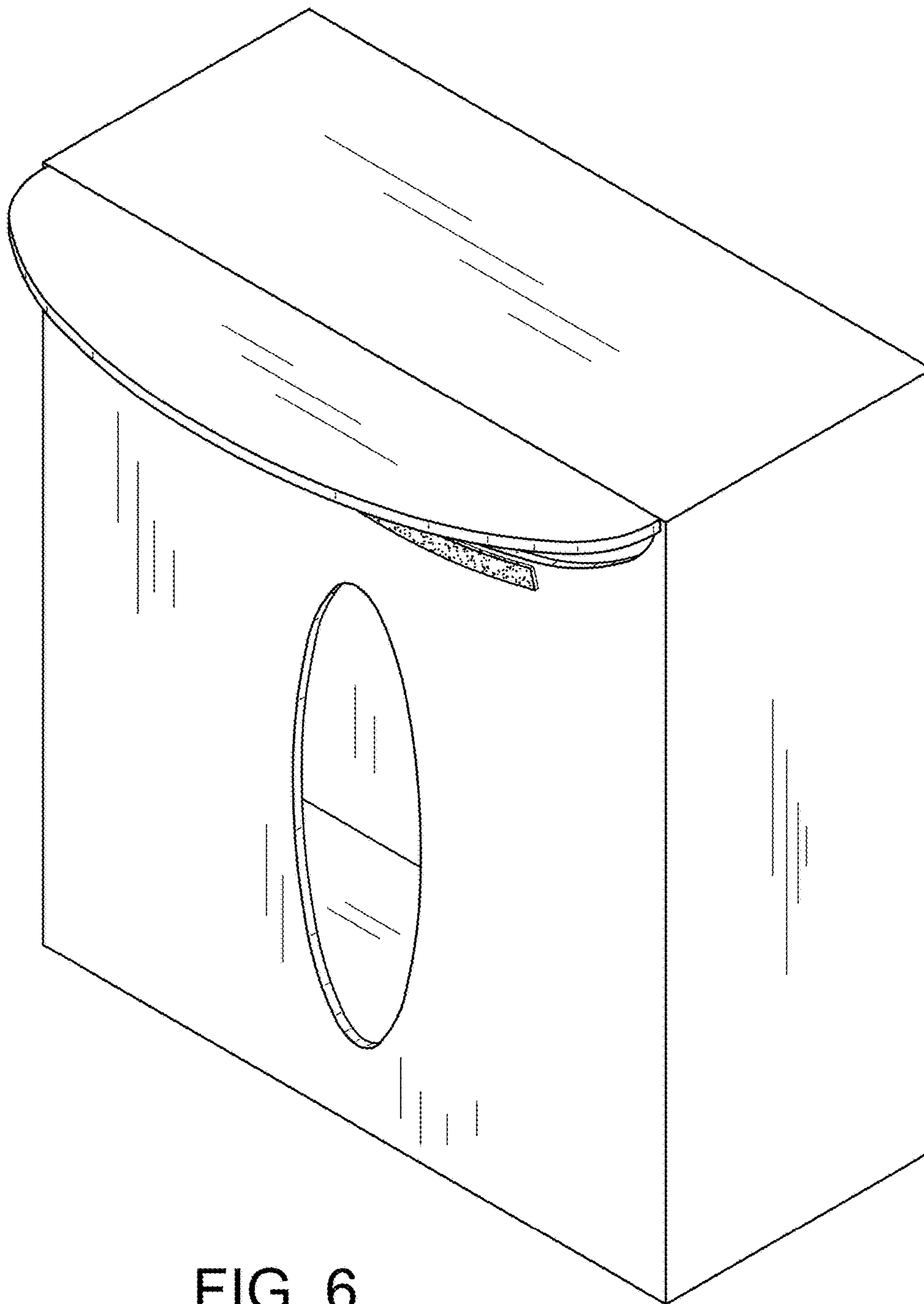


FIG. 6

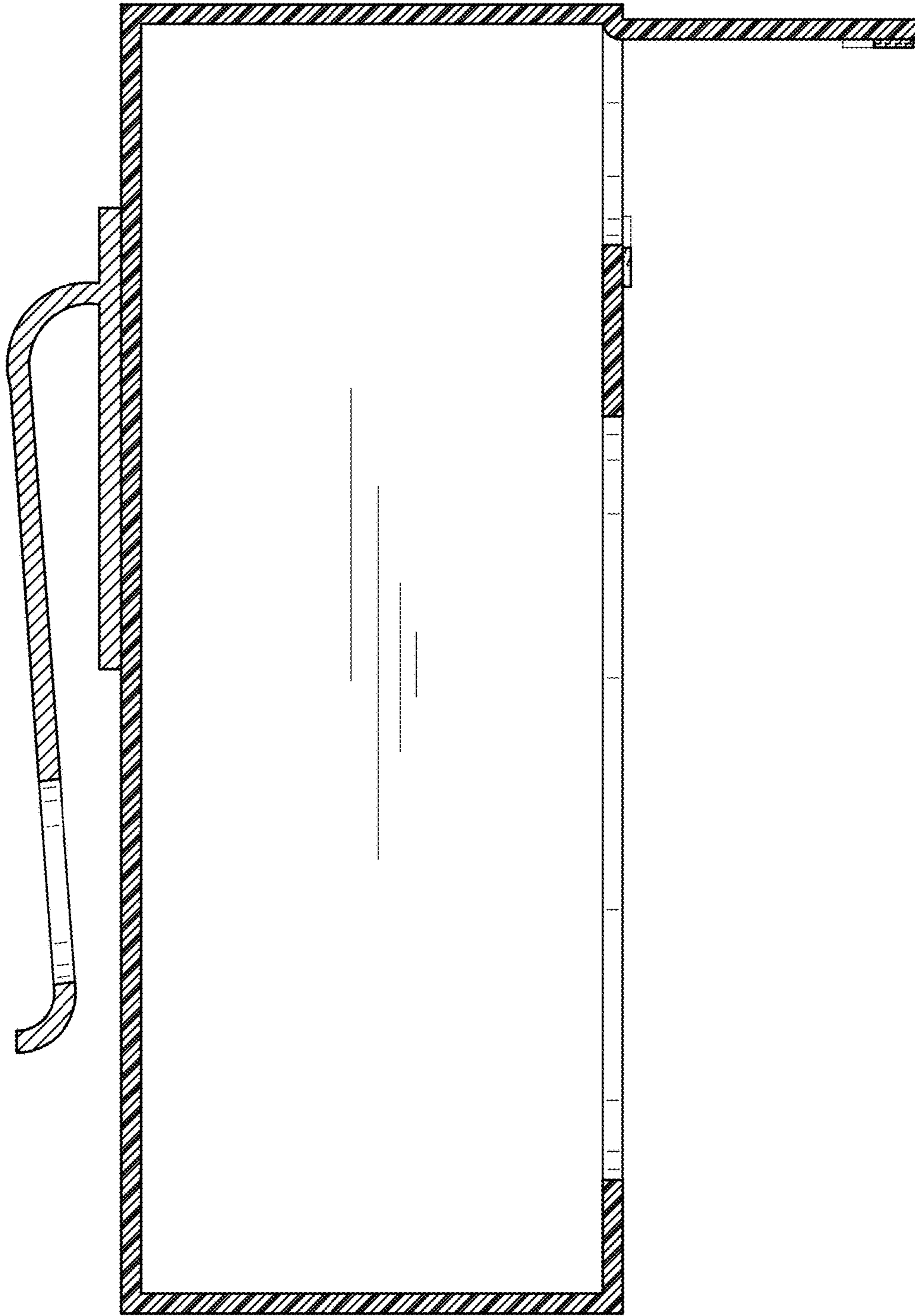


FIG. 7