



US00D783302S

(12) **United States Design Patent**
Zalaba

(10) **Patent No.:** **US D783,302 S**

(45) **Date of Patent:** **** Apr. 11, 2017**

(54) **CHAIR**

(71) Applicant: **Ginger Zalaba**, Bruttisellen (CH)

(72) Inventor: **Ginger Zalaba**, Bruttisellen (CH)

(**) Term: **15 Years**

(21) Appl. No.: **29/544,782**

(22) Filed: **Nov. 6, 2015**

(51) **LOC (10) Cl.** **06-01**

(52) **U.S. Cl.**
USPC **D6/379**

(58) **Field of Classification Search**

USPC D6/334-336, 360-381, 388, 403, 716,
D6/716.1-716.4, 717

CPC .. A47C 3/023; A47C 3/04; A47C 3/12; A47C
3/14; A47C 4/02; A47C 4/03; A47C 4/04;
A47C 7/16; A47C 7/40; A47C 7/54;
A47C 5/04; A47C 5/046; A47C 5/06

See application file for complete search history.

(56) **References Cited**

U.S. PATENT DOCUMENTS

D249,413 S *	9/1978	Frank	D6/371
D253,859 S *	1/1980	Hosoe	D6/372
D263,353 S *	3/1982	Beals	D6/370
D347,947 S *	6/1994	Donnelly	D6/368
D440,422 S *	4/2001	DeJule	D6/371
D441,972 S *	5/2001	Mitjans	D6/368
D448,189 S *	9/2001	Jahn	D6/368
D469,619 S *	2/2003	Stewart	D6/370
D509,672 S *	9/2005	Nemeth, Jr.	D6/368
D635,788 S *	4/2011	Schwamkrug	D6/371

* cited by examiner

Primary Examiner — Ricky Pham

(74) *Attorney, Agent, or Firm* — Benjamin D. Rotman;
David G. Rosenbaum; Rosenbaum IP, P.C.

(57) **CLAIM**

The ornamental design for a chair, as shown and described.

DESCRIPTION

FIG. 1 is a first front perspective view of a chair in accordance with a first embodiment of the invention; FIG. 2 is a first rear perspective view of FIG. 1; FIG. 3 is a back view of FIG. 1; FIG. 4 is a second front perspective view of FIG. 1; FIG. 5 is a side view of FIG. 1; FIG. 6 is a second rear perspective view of FIG. 1; FIG. 7 is a front view of FIG. 1; FIG. 8 is a front perspective view of a chair in accordance with a second embodiment of the invention; FIG. 9 is a side view of FIG. 8; FIG. 10 is a rear perspective view of FIG. 8; FIG. 11 is a front view of FIG. 8; FIG. 12 is a first front perspective view of a chair in accordance with a third embodiment of the invention; FIG. 13 is a first side view of FIG. 12; FIG. 14 is a first rear perspective view of FIG. 12; FIG. 15 is a back view of FIG. 12; FIG. 16 is a second rear perspective view of FIG. 12; FIG. 17 is a second front perspective view of FIGS. 12; and, FIG. 18 is a front view of FIG. 12.

1 Claim, 18 Drawing Sheets





FIG 1

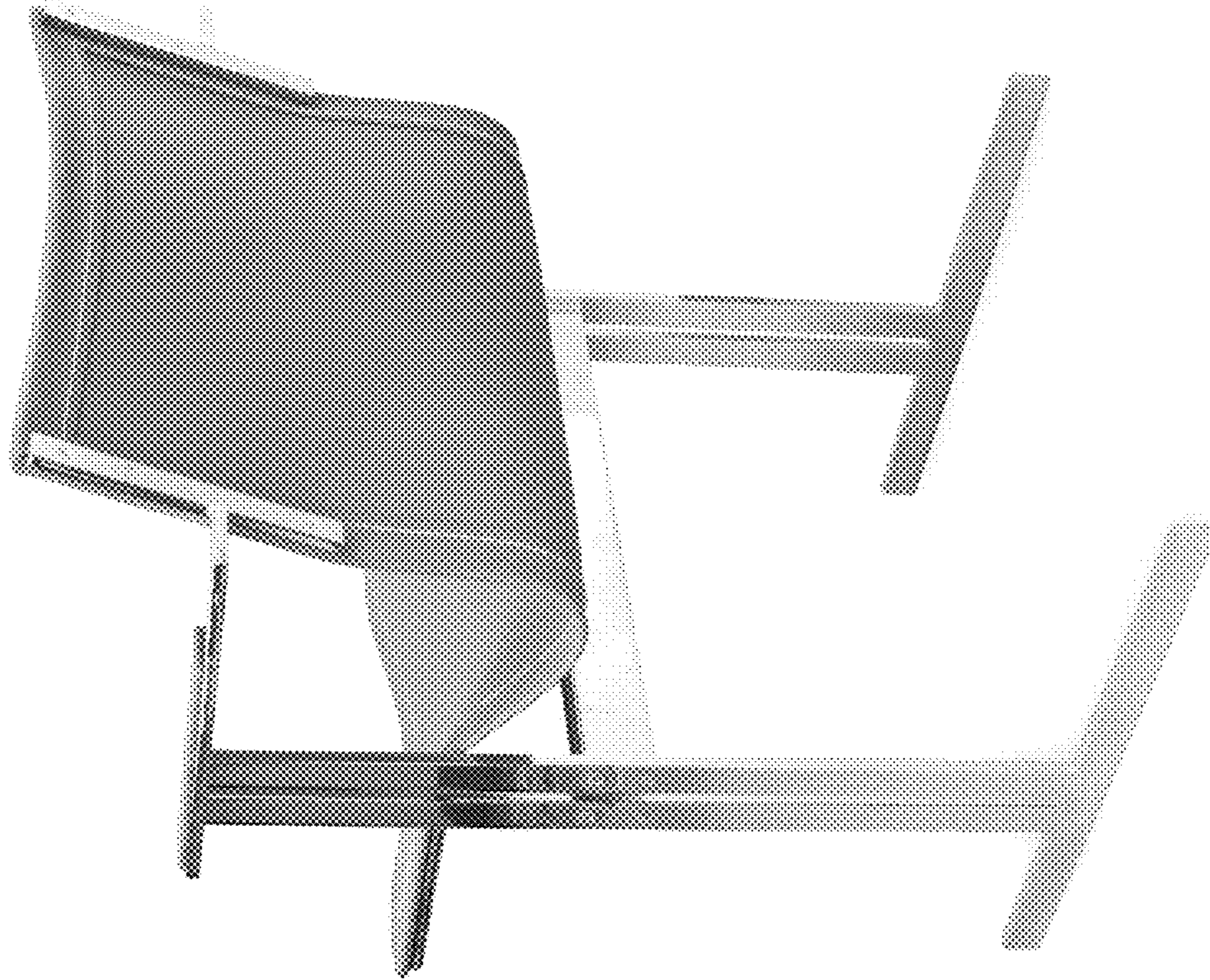


FIG 2

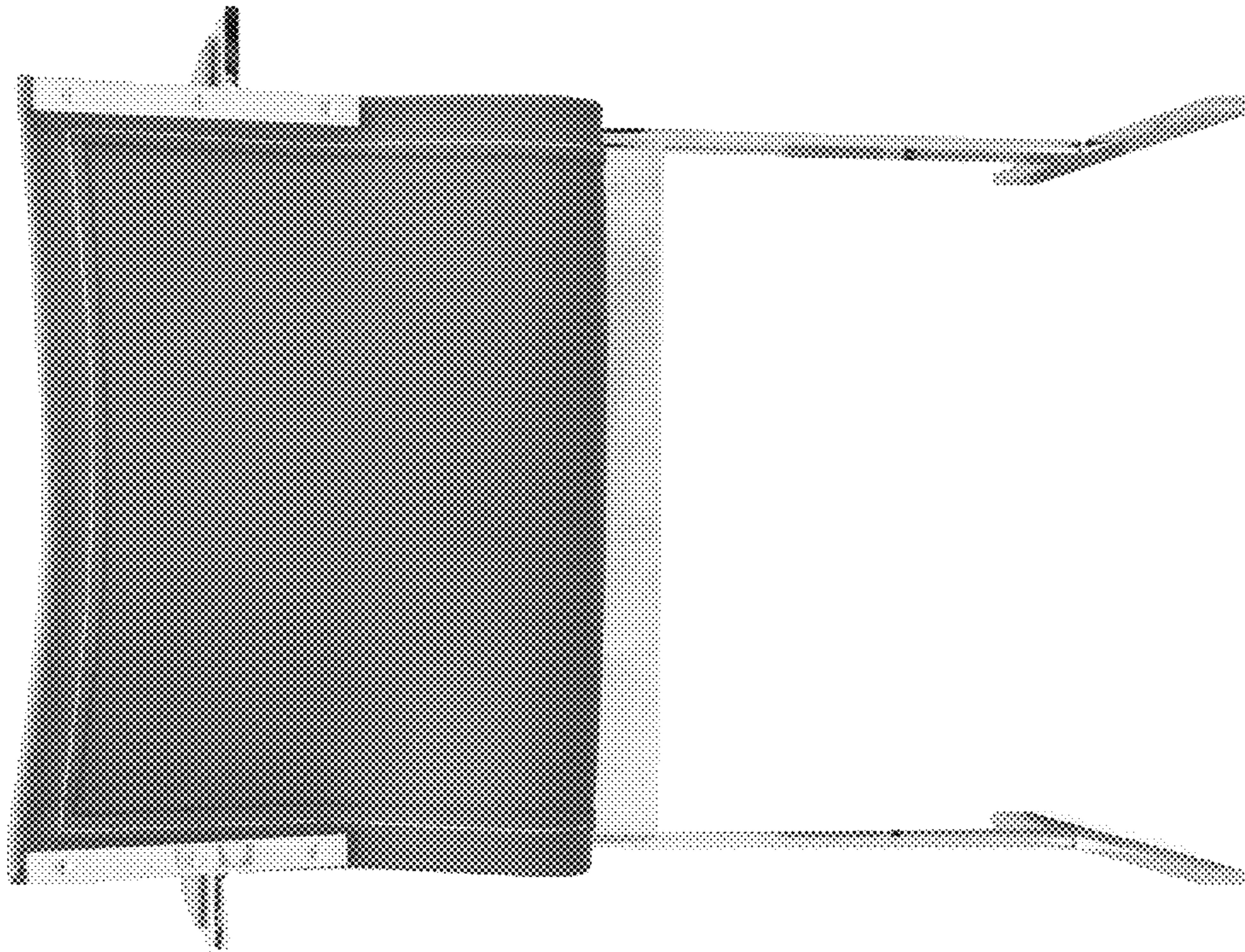


FIG 3

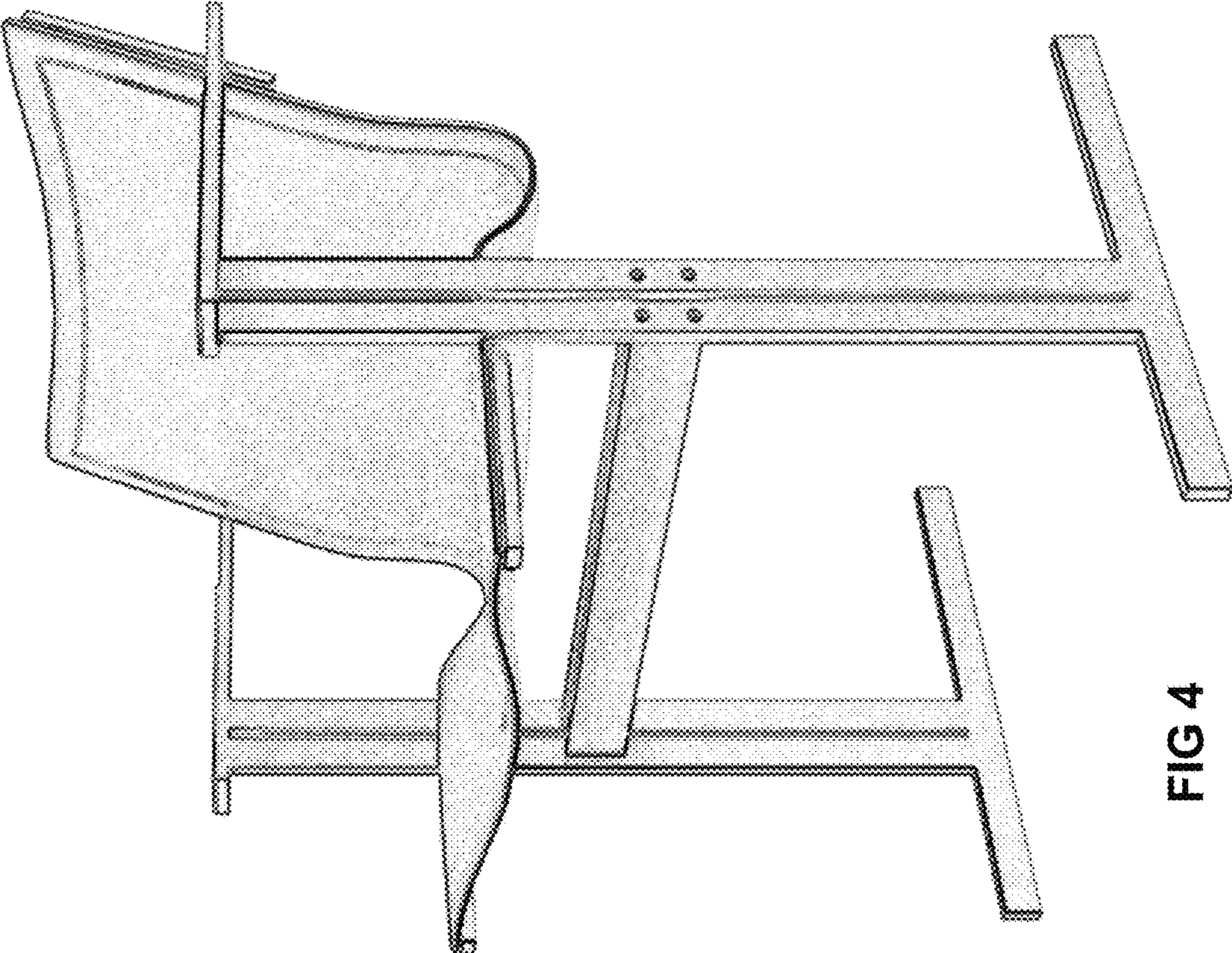


FIG 4

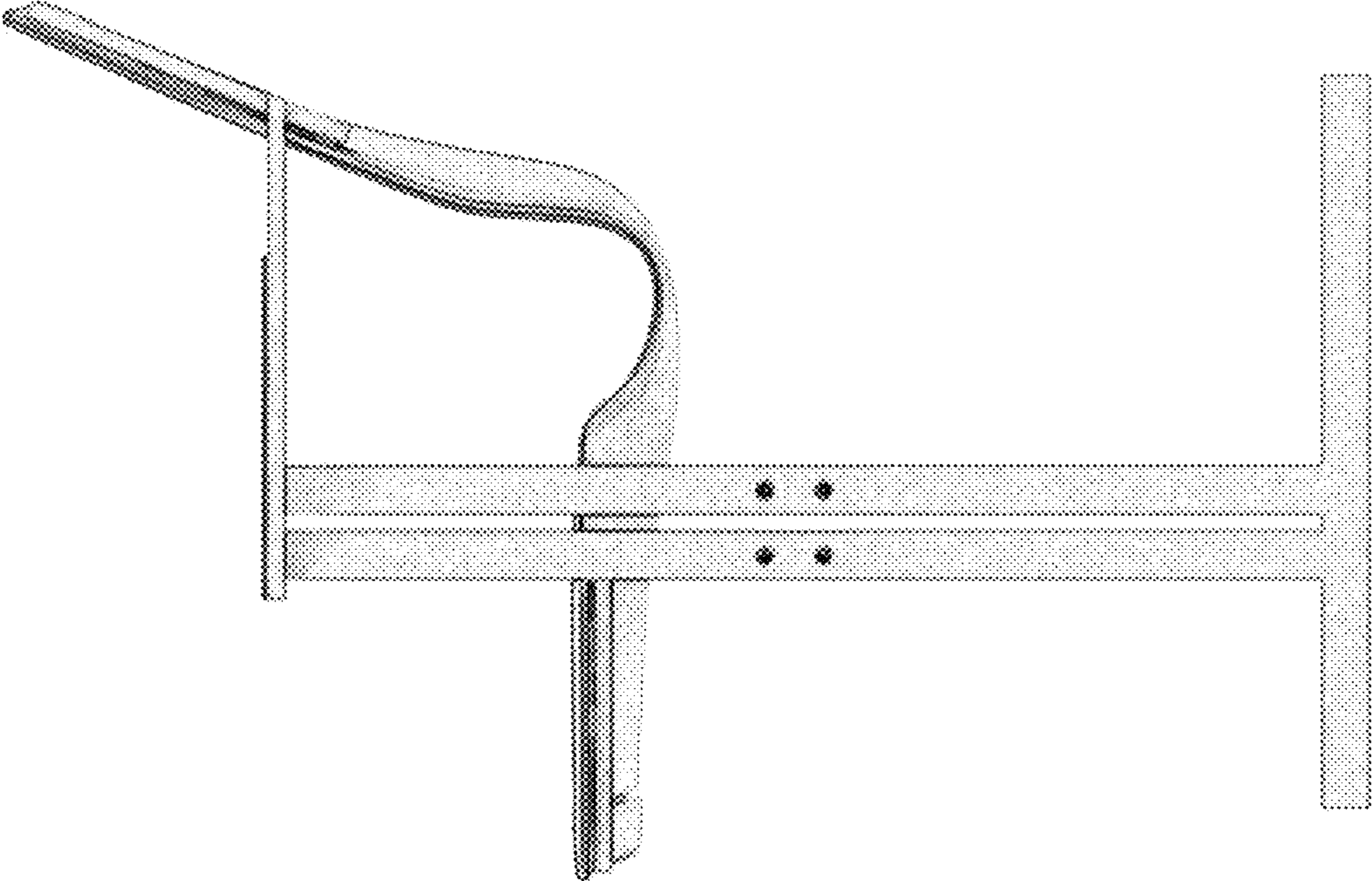


FIG 5

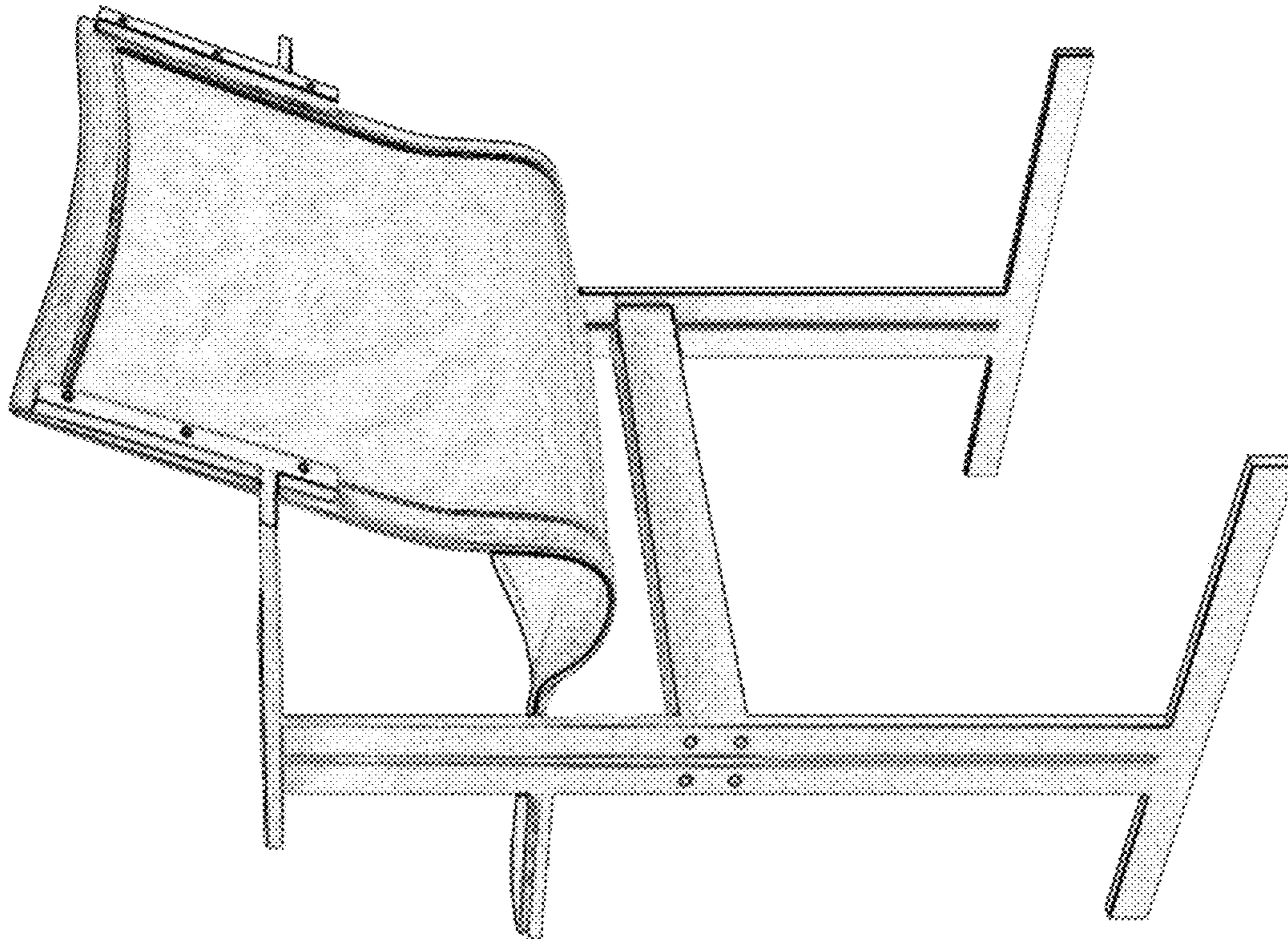


FIG 6

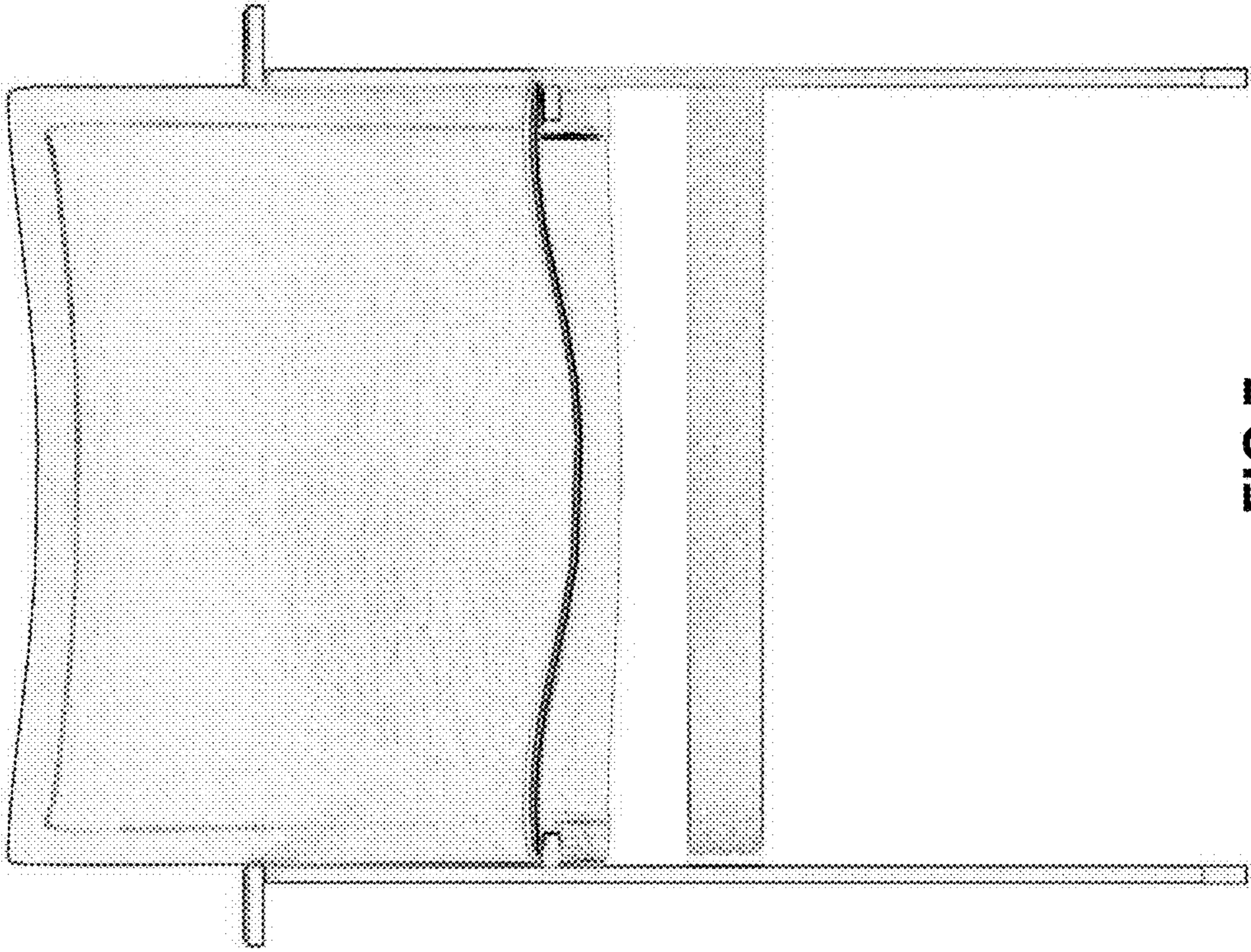


FIG 7

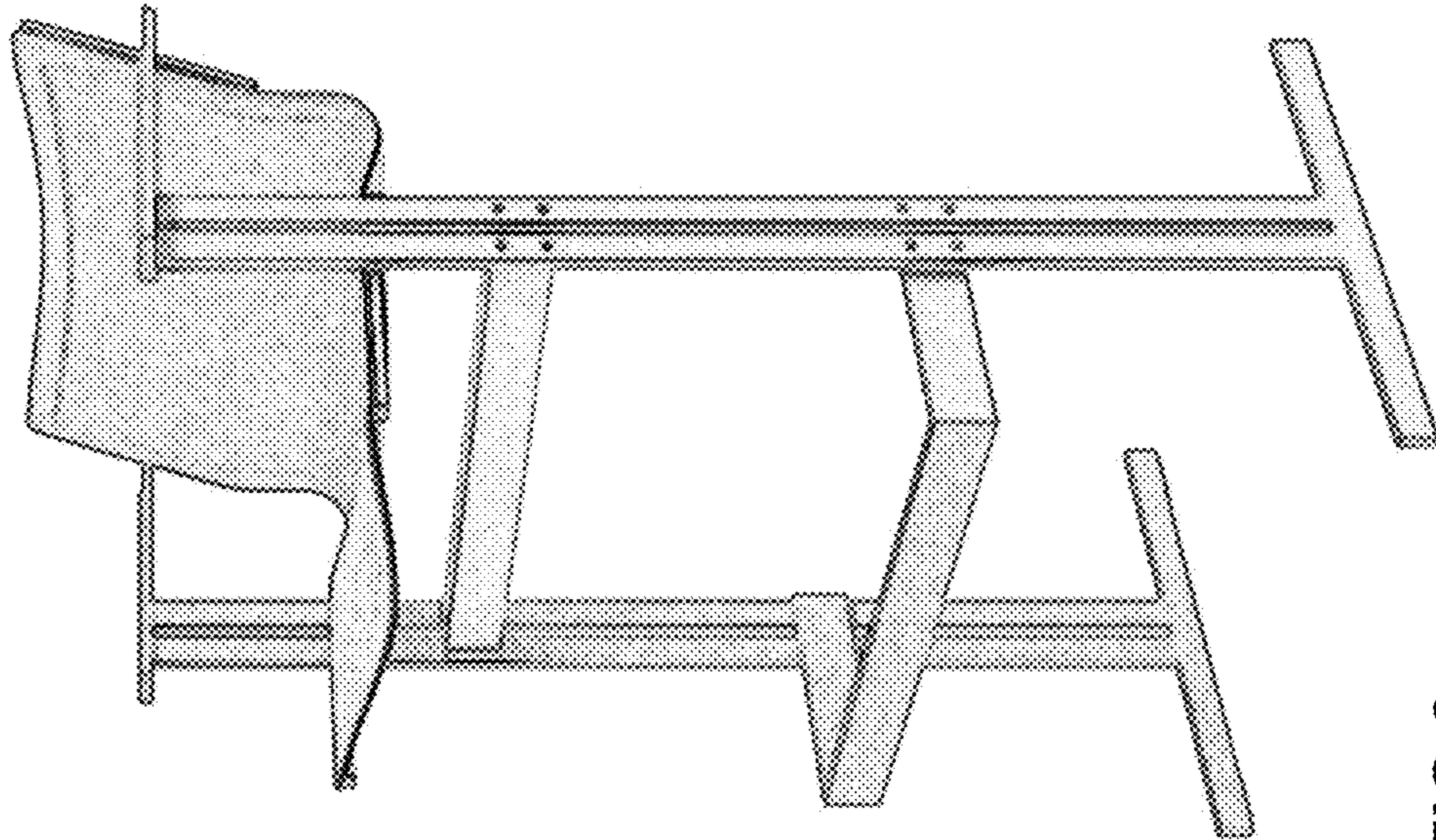


FIG 8

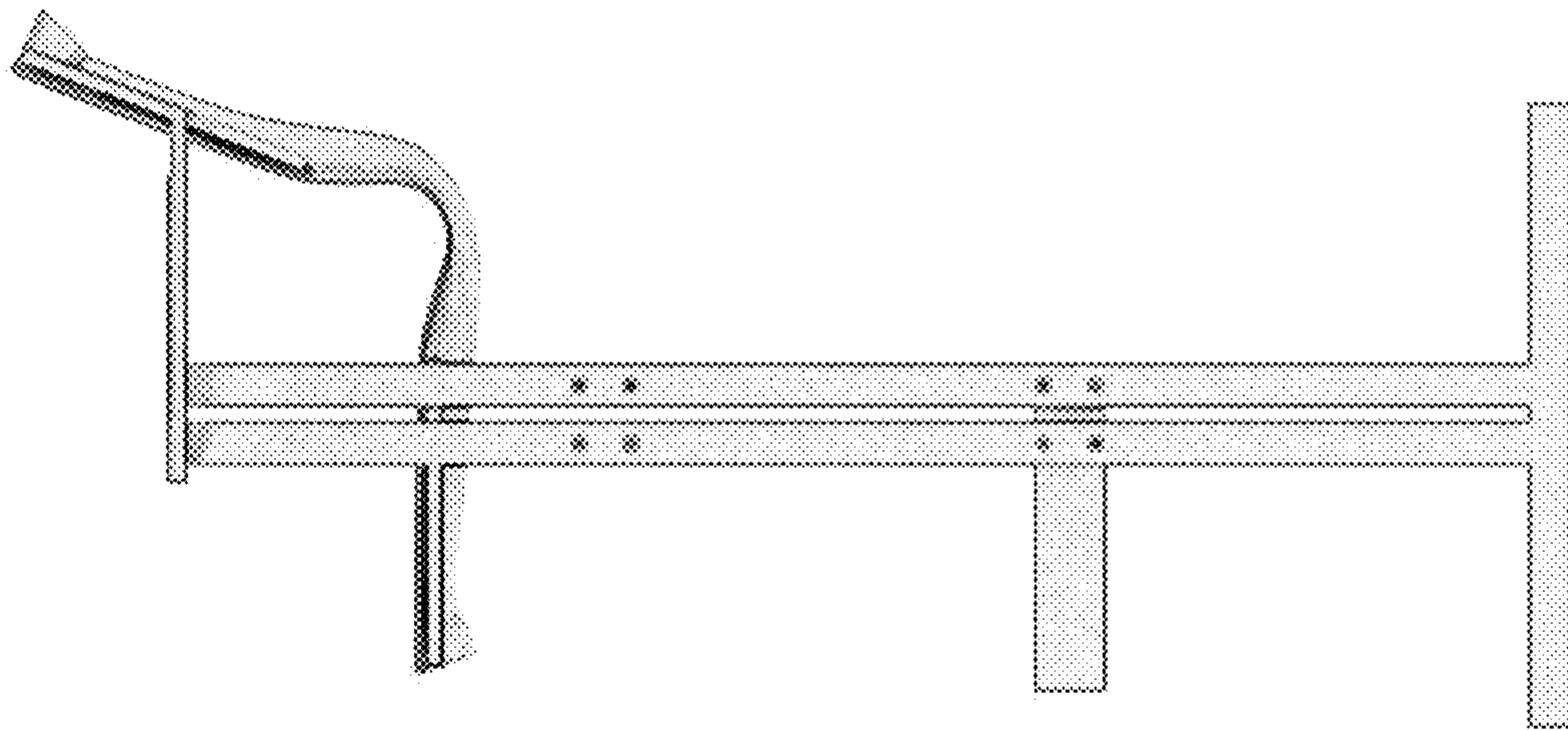


FIG 9

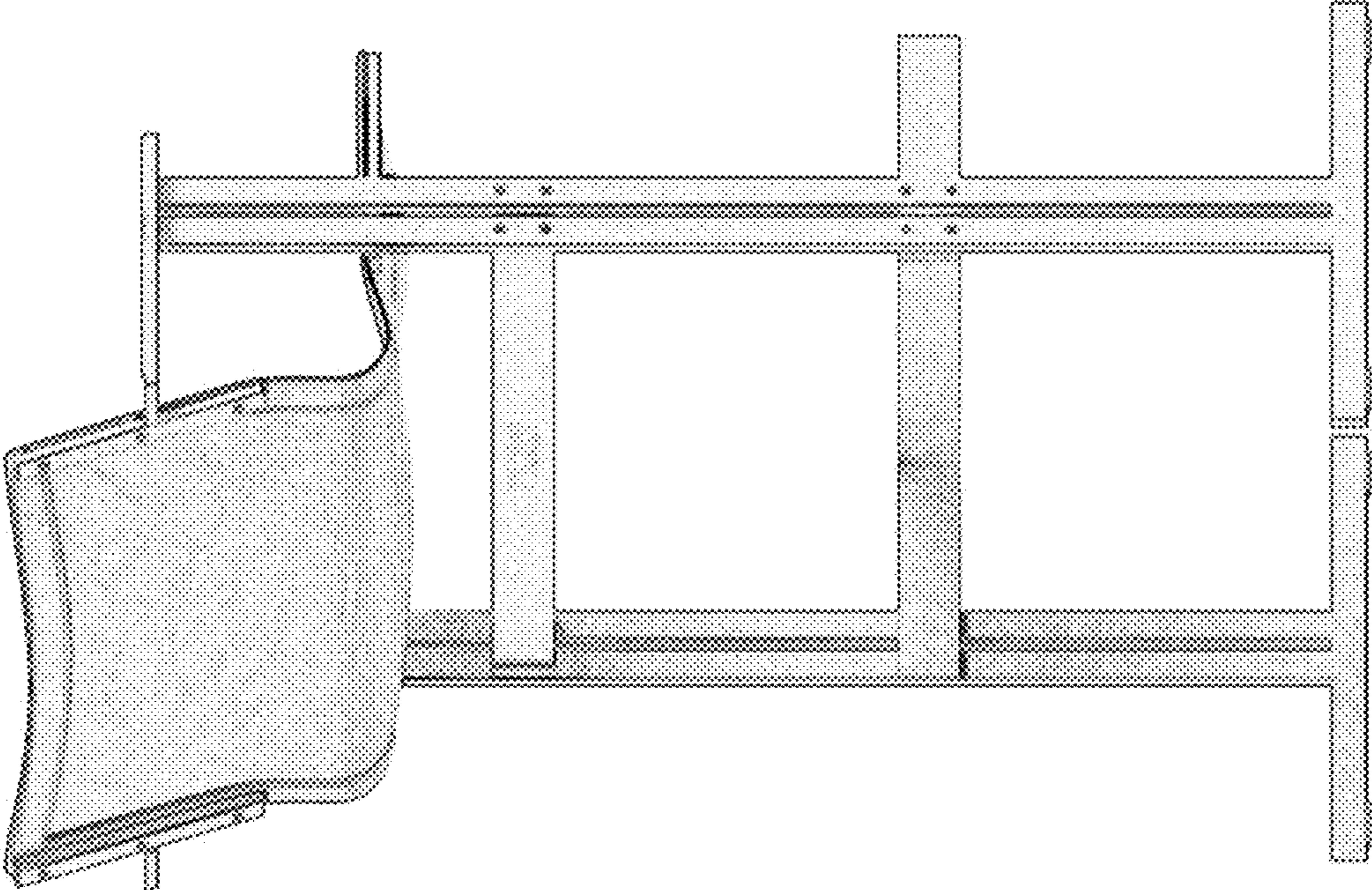


FIG 10

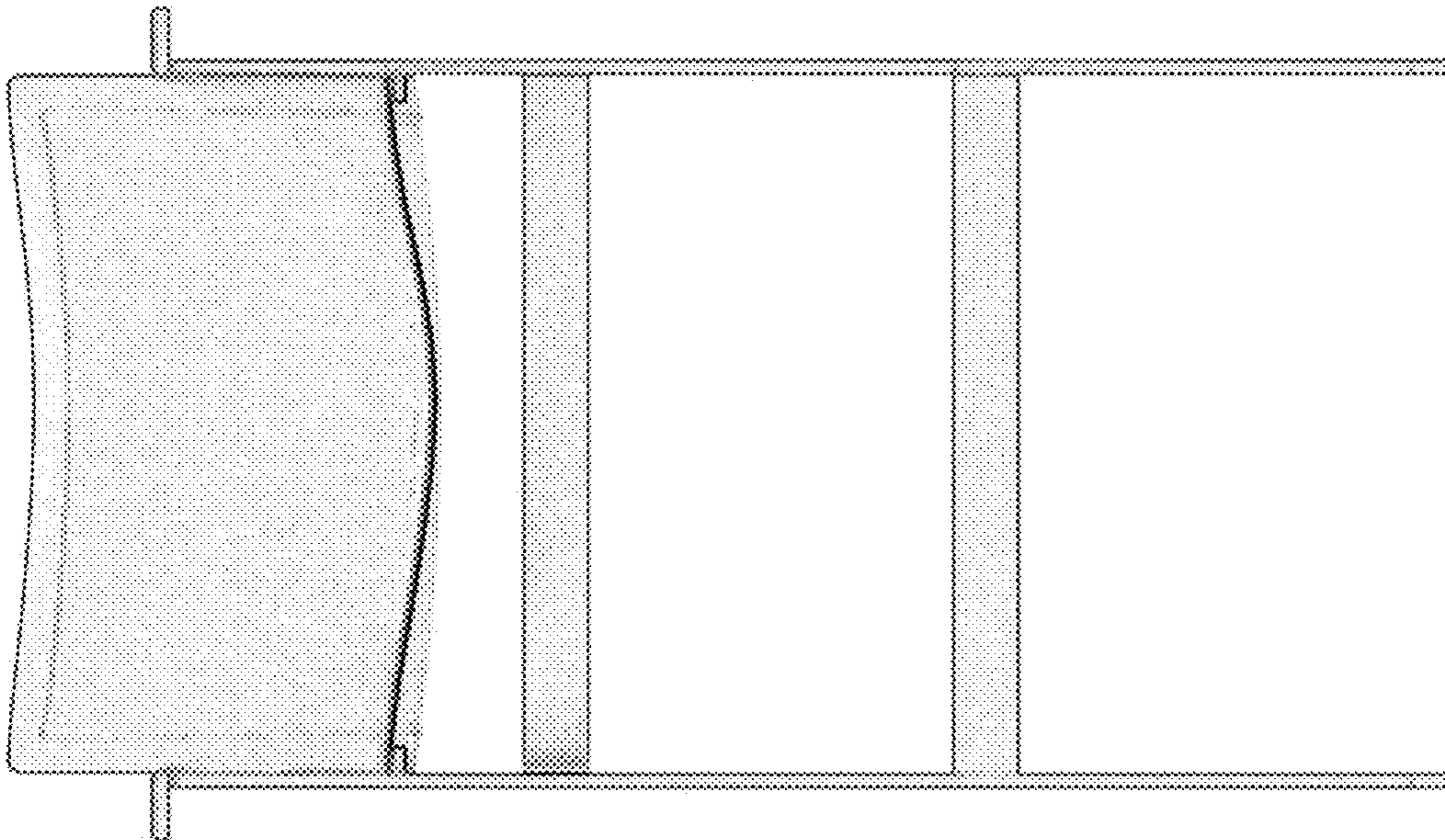


FIG 11

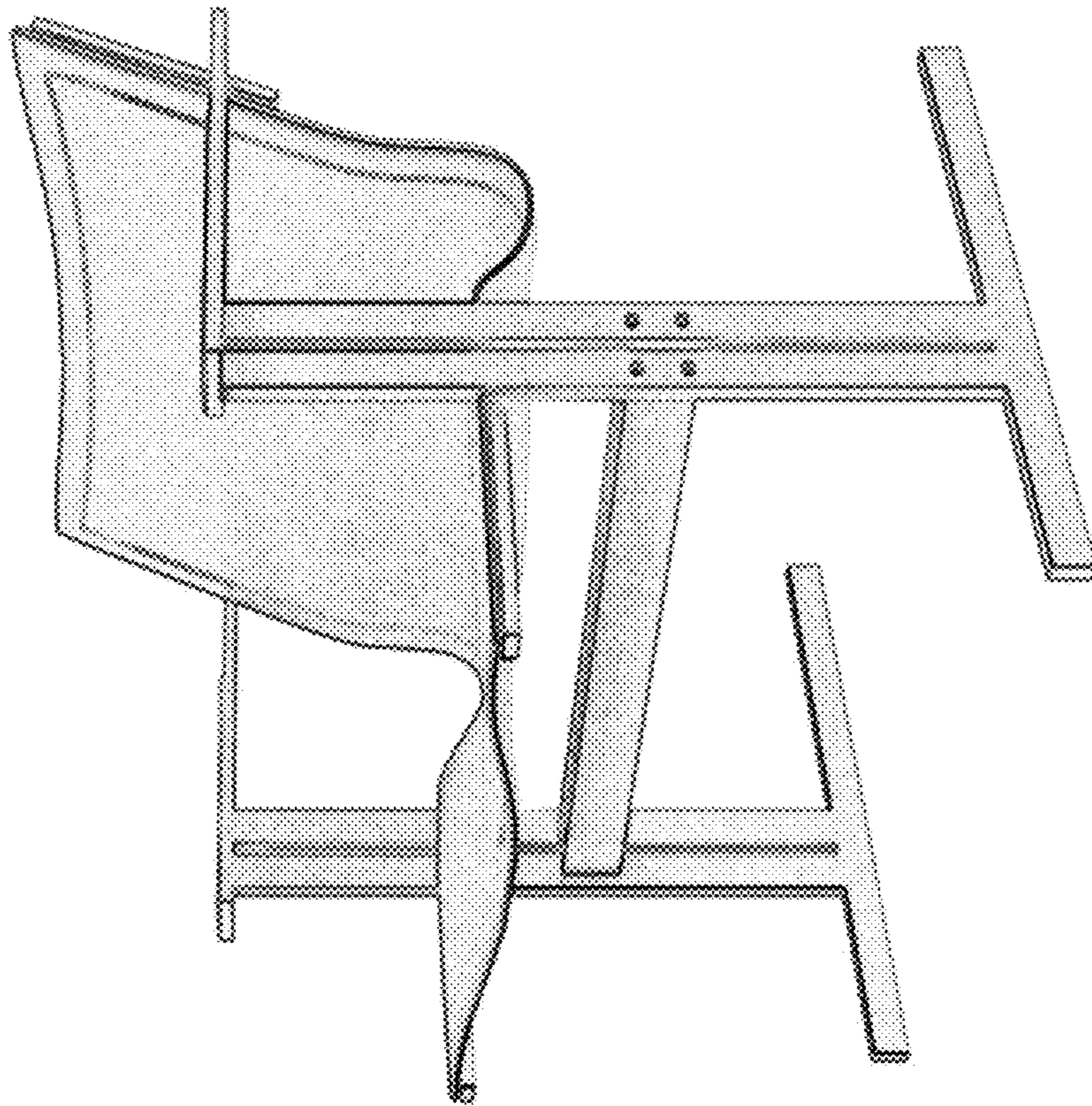


FIG 12

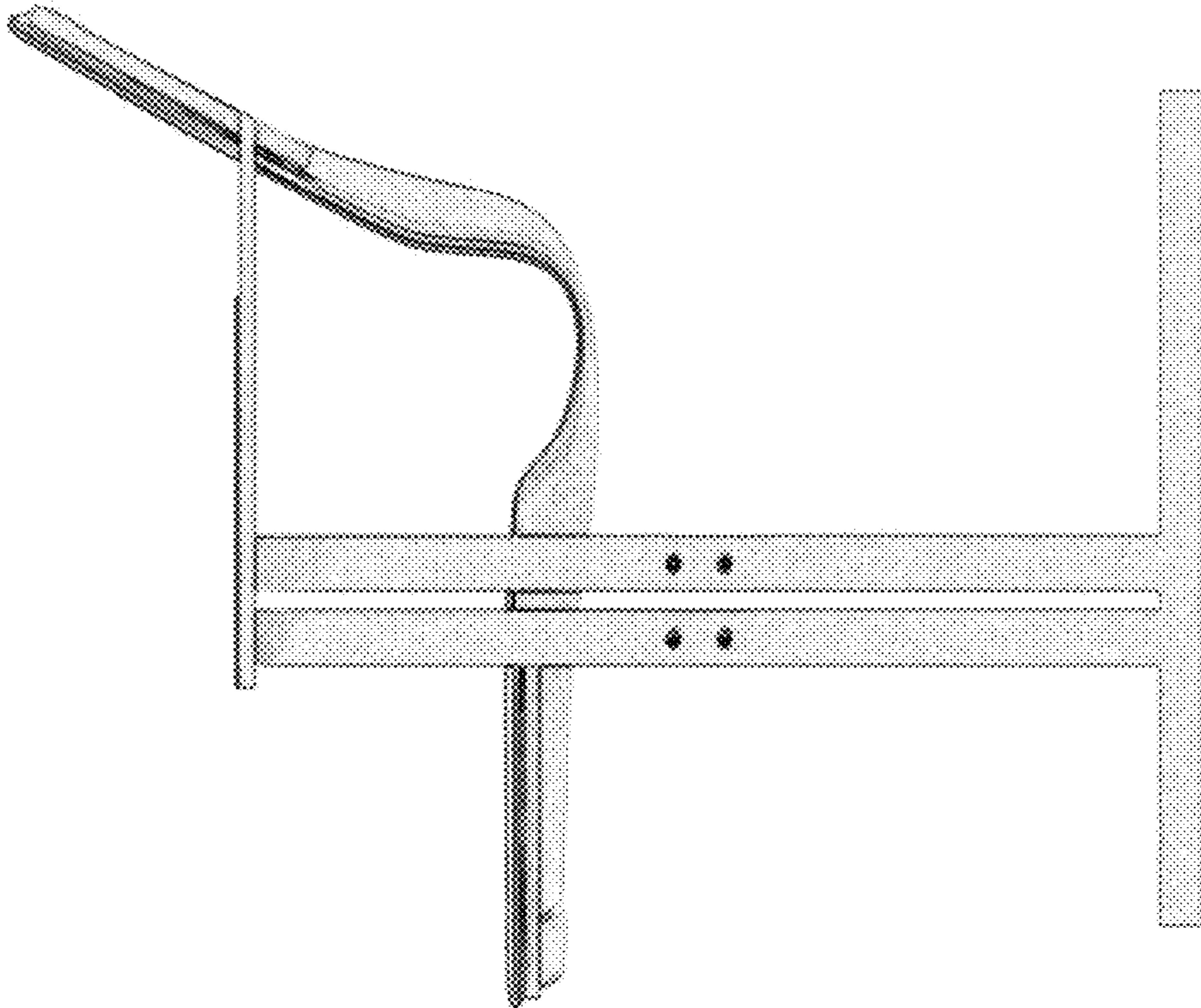


FIG 13

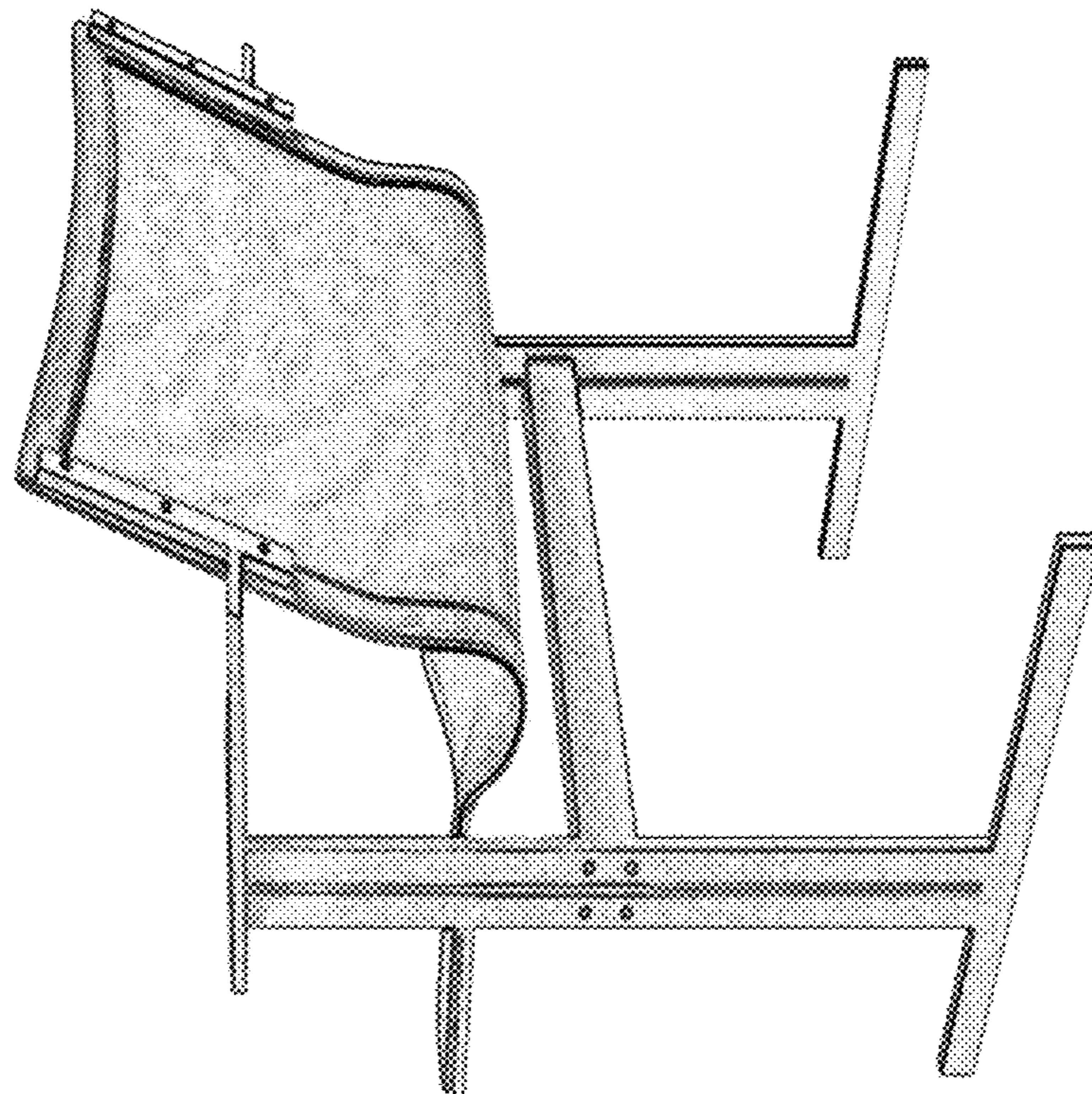


FIG 14

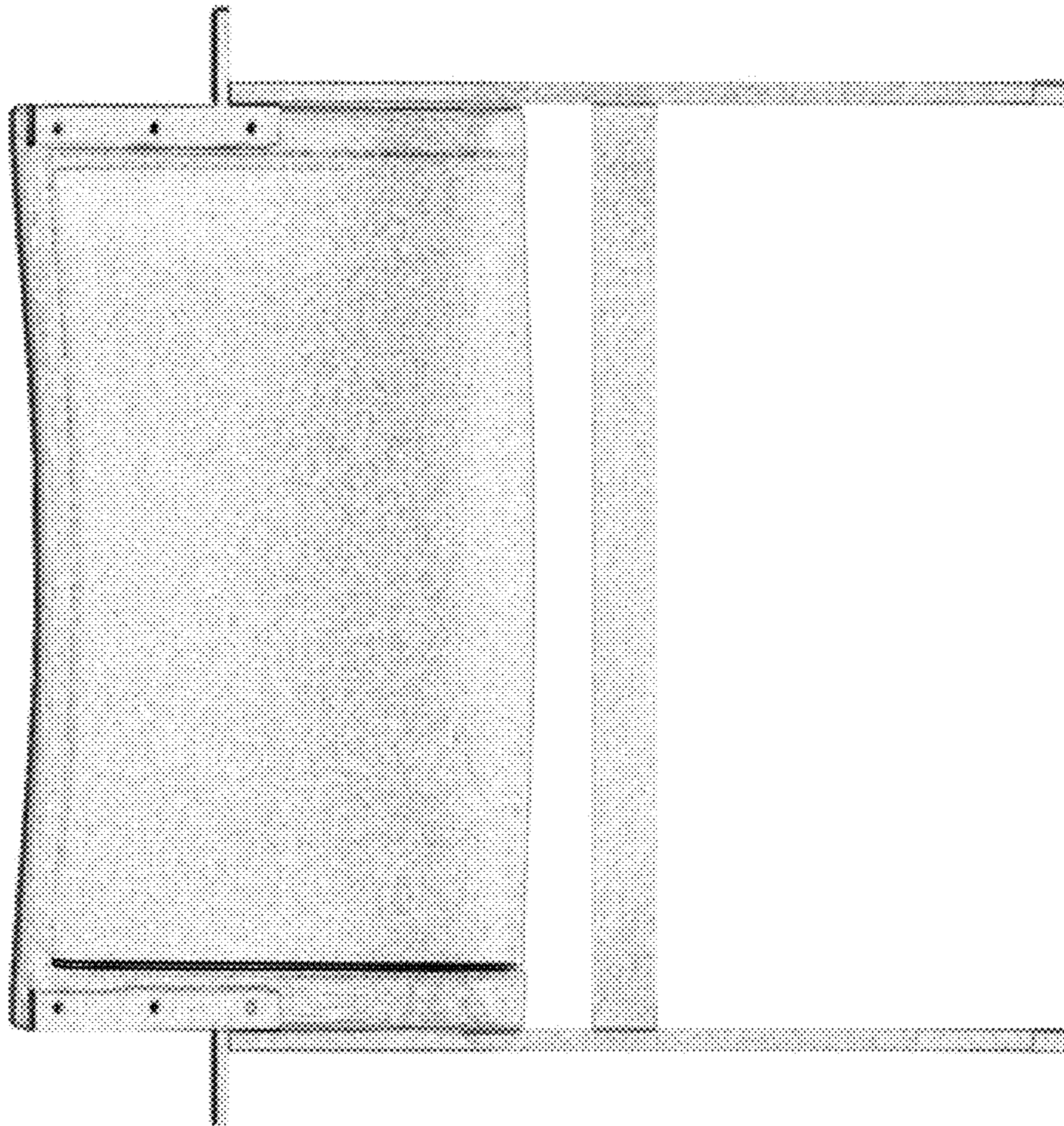


FIG 15

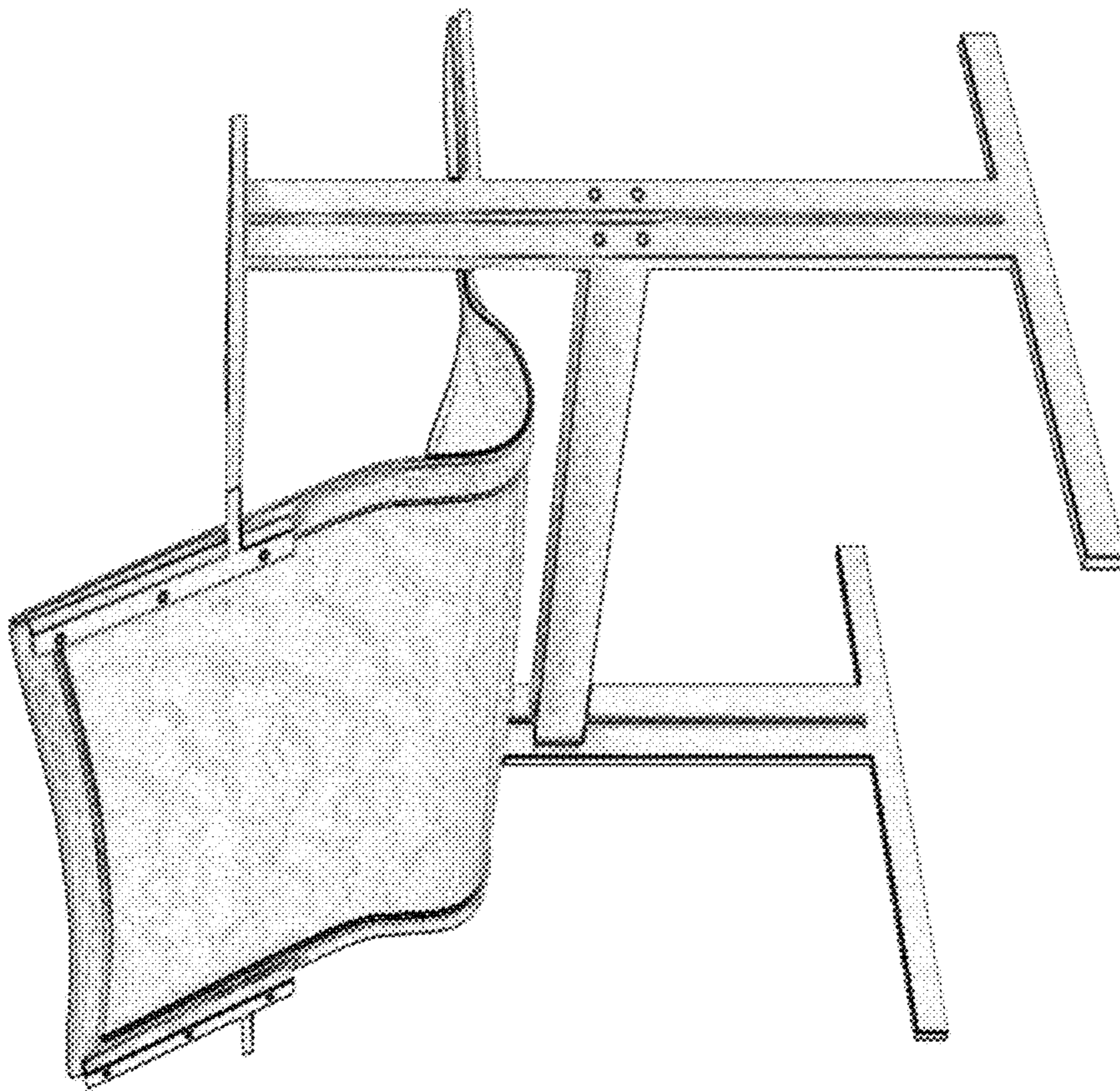


FIG 16

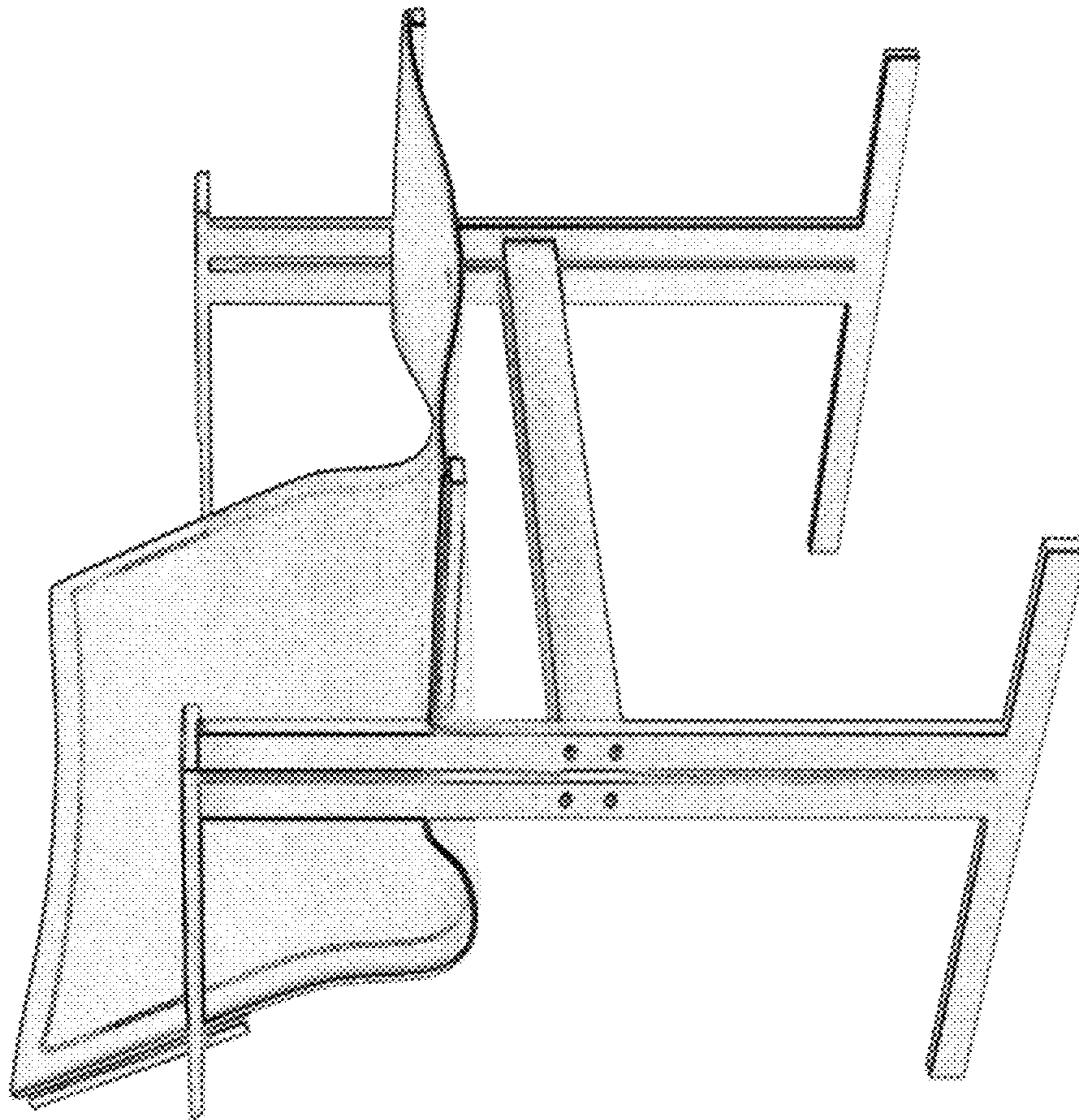


FIG 17

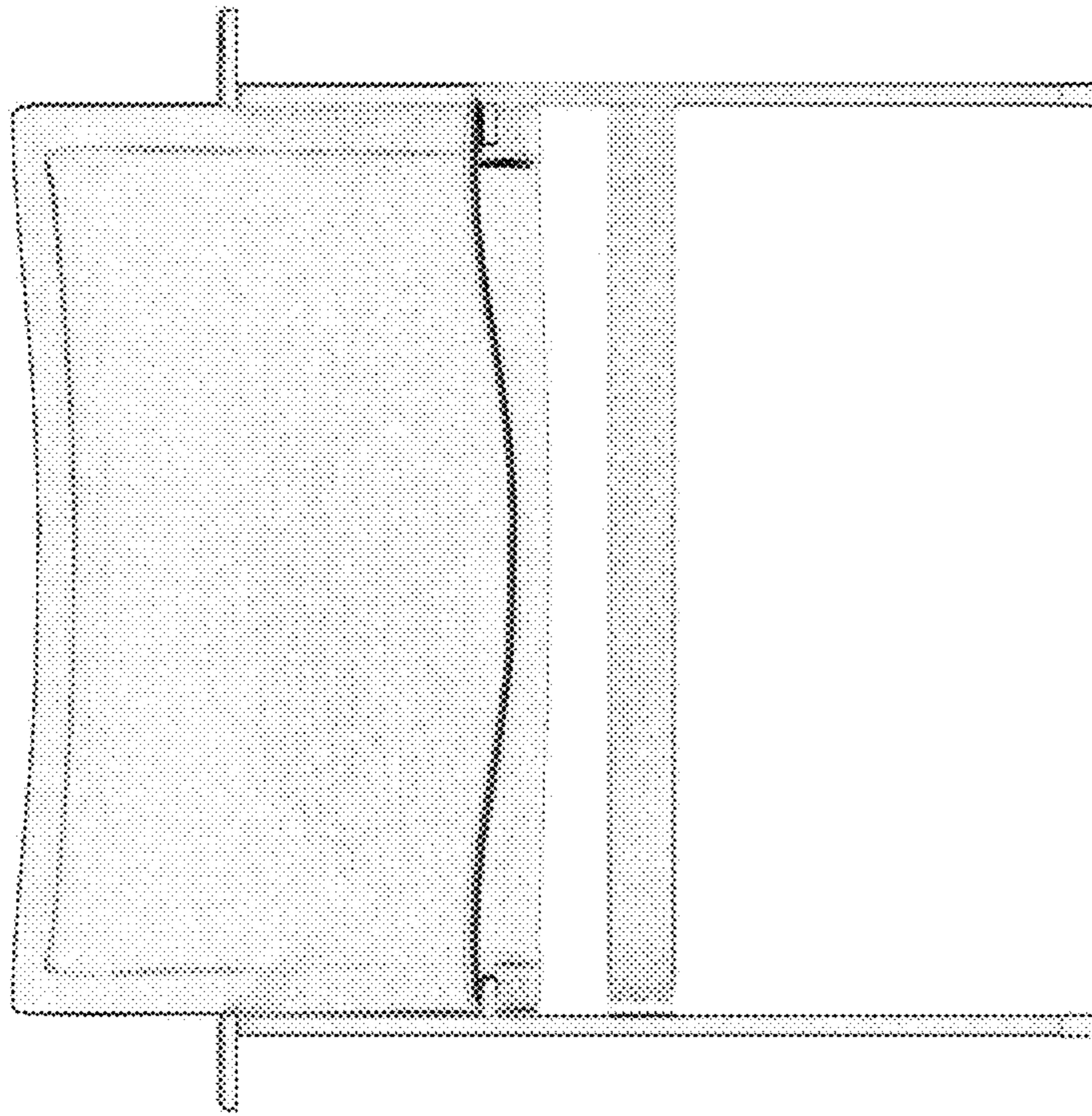


FIG 18