



US00D783301S

(12) **United States Design Patent**
Hsu

(10) **Patent No.:** **US D783,301 S**
(45) **Date of Patent:** **** Apr. 11, 2017**

- (54) **BALL CHAIR**
- (71) Applicant: **CHIA LIN SPORT CO., LTD.,**
Chang-Hwa-Hsien (TW)
- (72) Inventor: **Chih-Chan Hsu,** Chang-Hwa-Hsien
(TW)
- (73) Assignee: **CHI LIN SPORT CO., LTD.,**
Chang-Hwa-Hsien (TW)

- 6,702,388 B1 * 3/2004 Chiu A47C 4/54
297/217.1
- 6,832,817 B1 * 12/2004 Chiu A47C 4/54
16/43
- D503,553 S * 4/2005 Chiu D6/352
- 7,140,677 B1 * 11/2006 Chiu A47C 4/54
297/181
- D536,542 S * 2/2007 Chiu D6/352
- D635,373 S * 4/2011 Lieberman D6/335
- D669,280 S * 10/2012 Andersson D6/379
- D679,916 S * 4/2013 Barney D6/366
- 9,408,469 B1 * 8/2016 Chiu A47C 4/02

(**) Term: **15 Years**

(21) Appl. No.: **29/539,667**

(22) Filed: **Sep. 16, 2015**

(30) **Foreign Application Priority Data**

- Mar. 19, 2015 (TW) 104301420
- Mar. 19, 2015 (TW) 104301421

(51) **LOC (10) Cl.** **06-01**

(52) **U.S. Cl.**
USPC **D6/366**

(58) **Field of Classification Search**
USPC D6/352, 364–368, 374, 379, 716;
297/181, 217.1, 284.4, 344.19, 353,
297/411.2, 452.18, 452.24, 452.26,
297/452.28, 452.32–452.33, 452.37,
297/452.41; 16/43
CPC A47C 7/02; A47C 7/44; A47C 7/46; A47C
7/48; A47C 7/54; A47C 7/386; A47C
7/462; A47C 1/10; A47C 1/031; B60N
2/02; B60N 2/22; B60N 2/44
See application file for complete search history.

(56) **References Cited**

U.S. PATENT DOCUMENTS

- D471,025 S * 3/2003 Chiu D6/366
- D471,371 S * 3/2003 Chiu D6/366

(Continued)

Primary Examiner — Manpreet Matharu

Assistant Examiner — Keith Wilson

(74) *Attorney, Agent, or Firm* — Muncy, Geissler, Olds & Lowe, P.C.

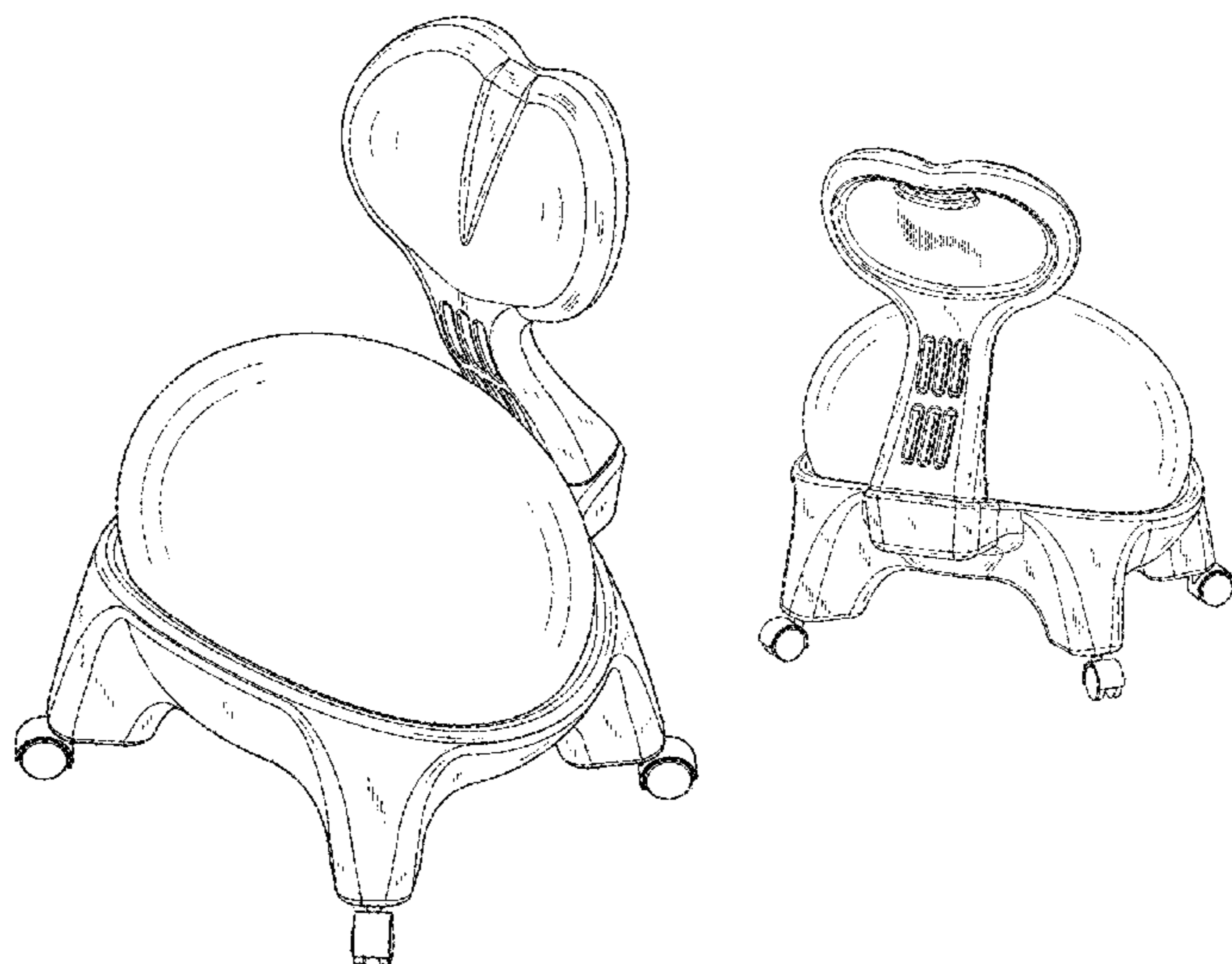
(57) **CLAIM**

The ornamental design for a ball chair, as shown and described.

DESCRIPTION

FIG. 1 is a perspective view of a first preferred embodiment of the present design.
FIG. 2 is a front view of the first preferred embodiment of the present design.
FIG. 3 is a rear view of the first preferred embodiment of the present design.
FIG. 4 is a left view of the first preferred embodiment of the present design.
FIG. 5 is a right view of the first preferred embodiment of the present design.
FIG. 6 is a top view of the first preferred embodiment of the present design.
FIG. 7 is a bottom view of the first preferred embodiment of the present design; and,
FIG. 8 is another perspective view of the first preferred embodiment of the present design.

1 Claim, 8 Drawing Sheets



(56)

References Cited

U.S. PATENT DOCUMENTS

2004/0245838 A1* 12/2004 Chiu A47C 4/54
297/452.41

* cited by examiner

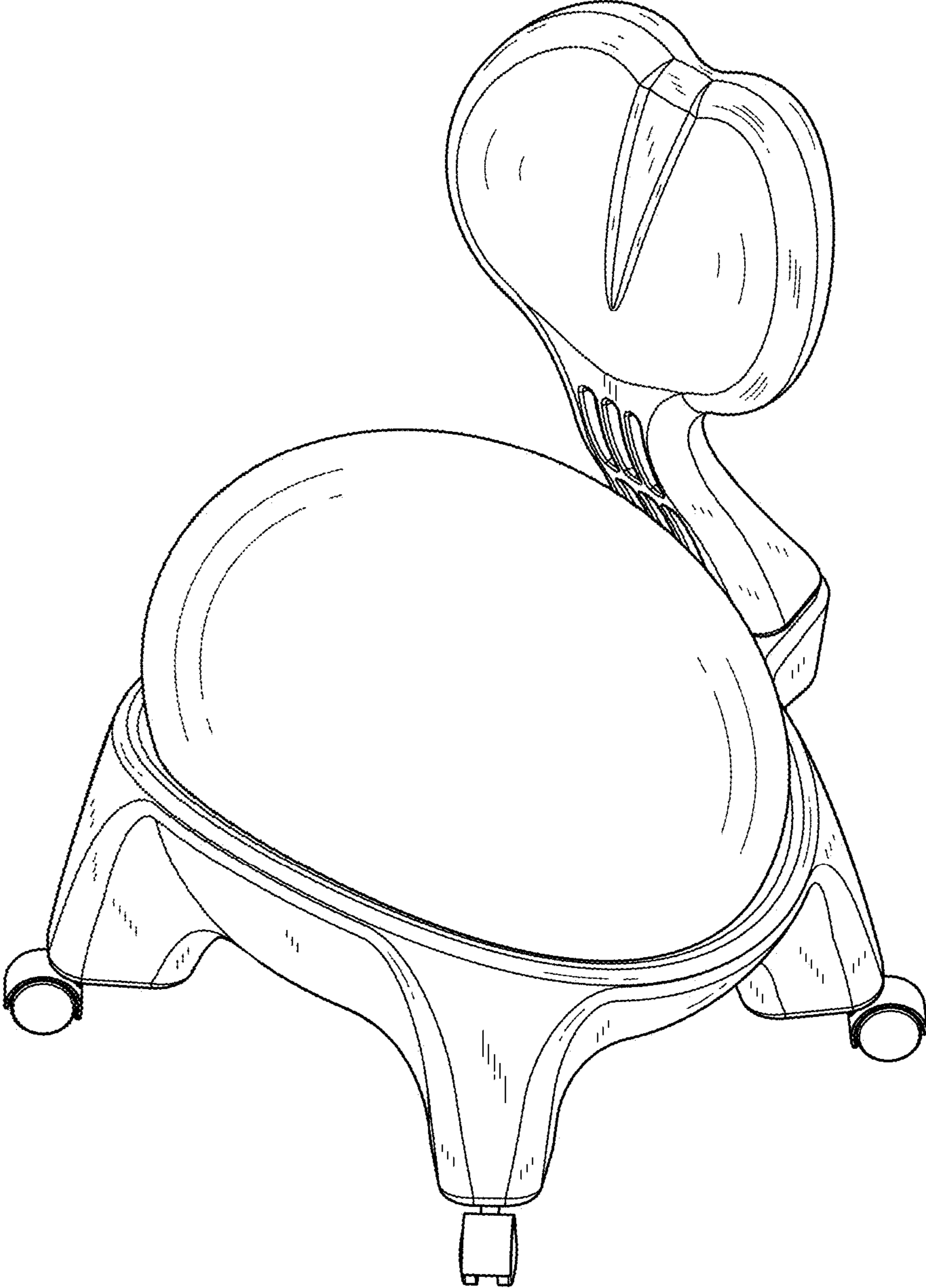


FIG. 1

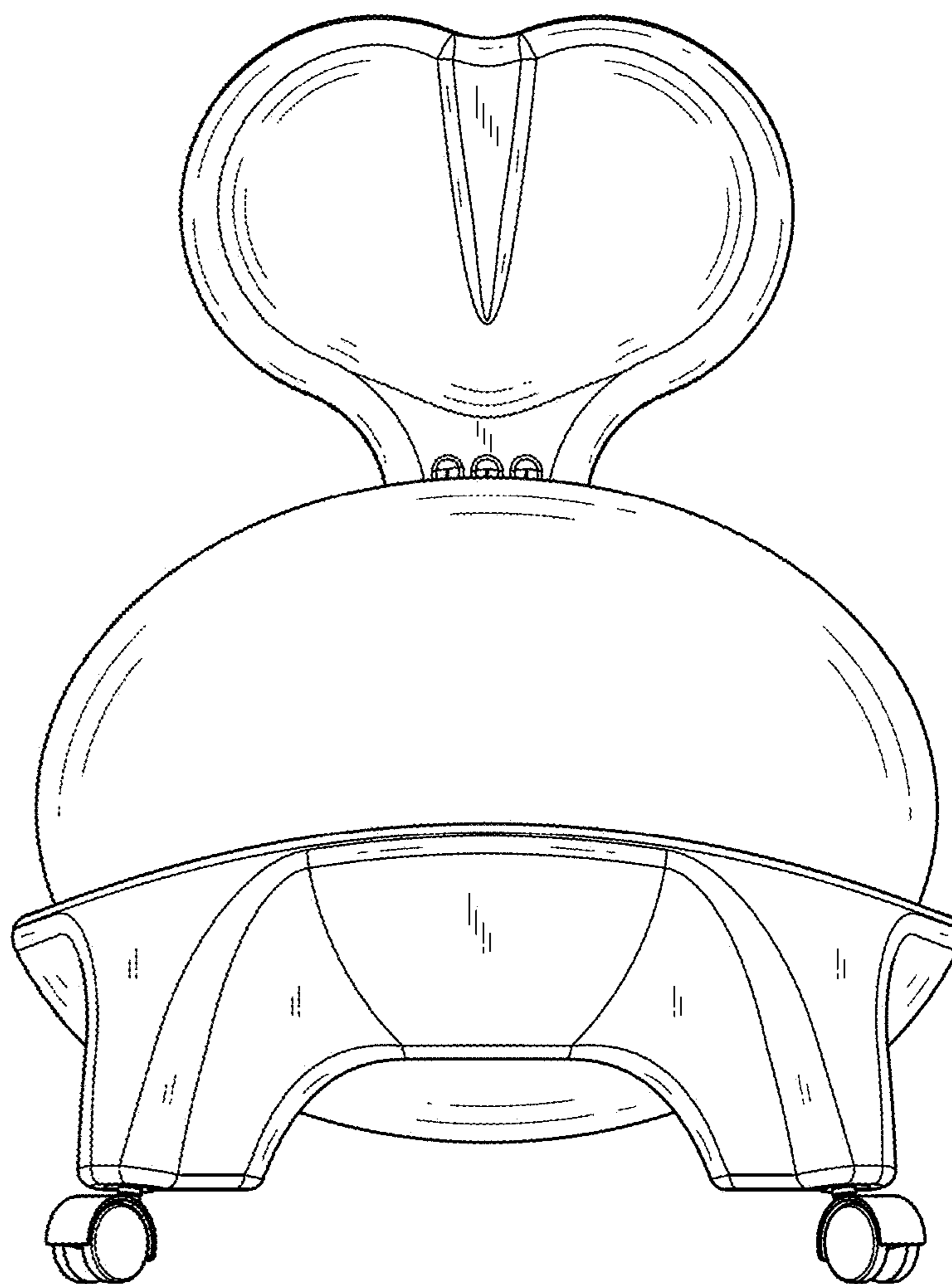


FIG. 2

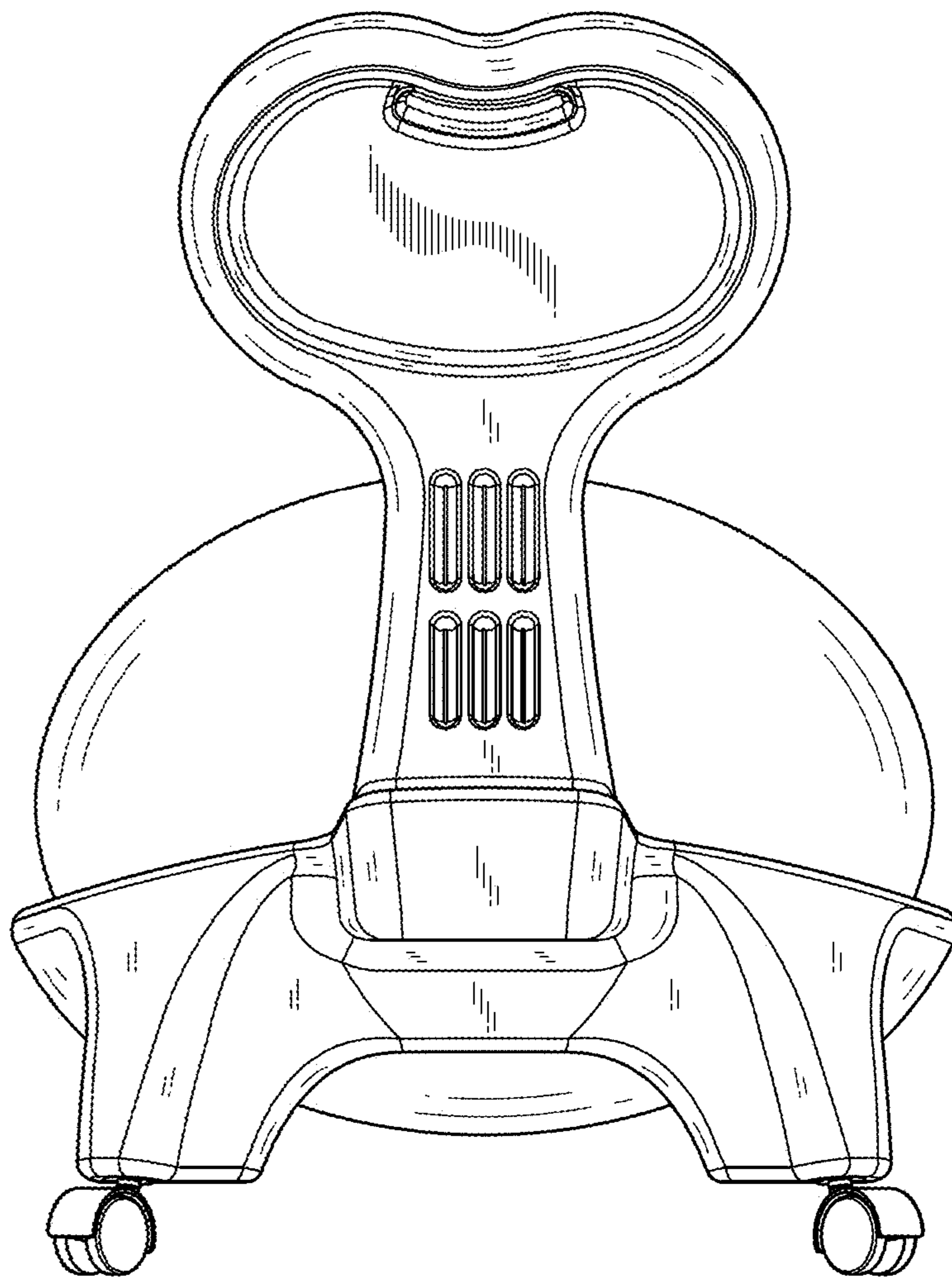


FIG. 3

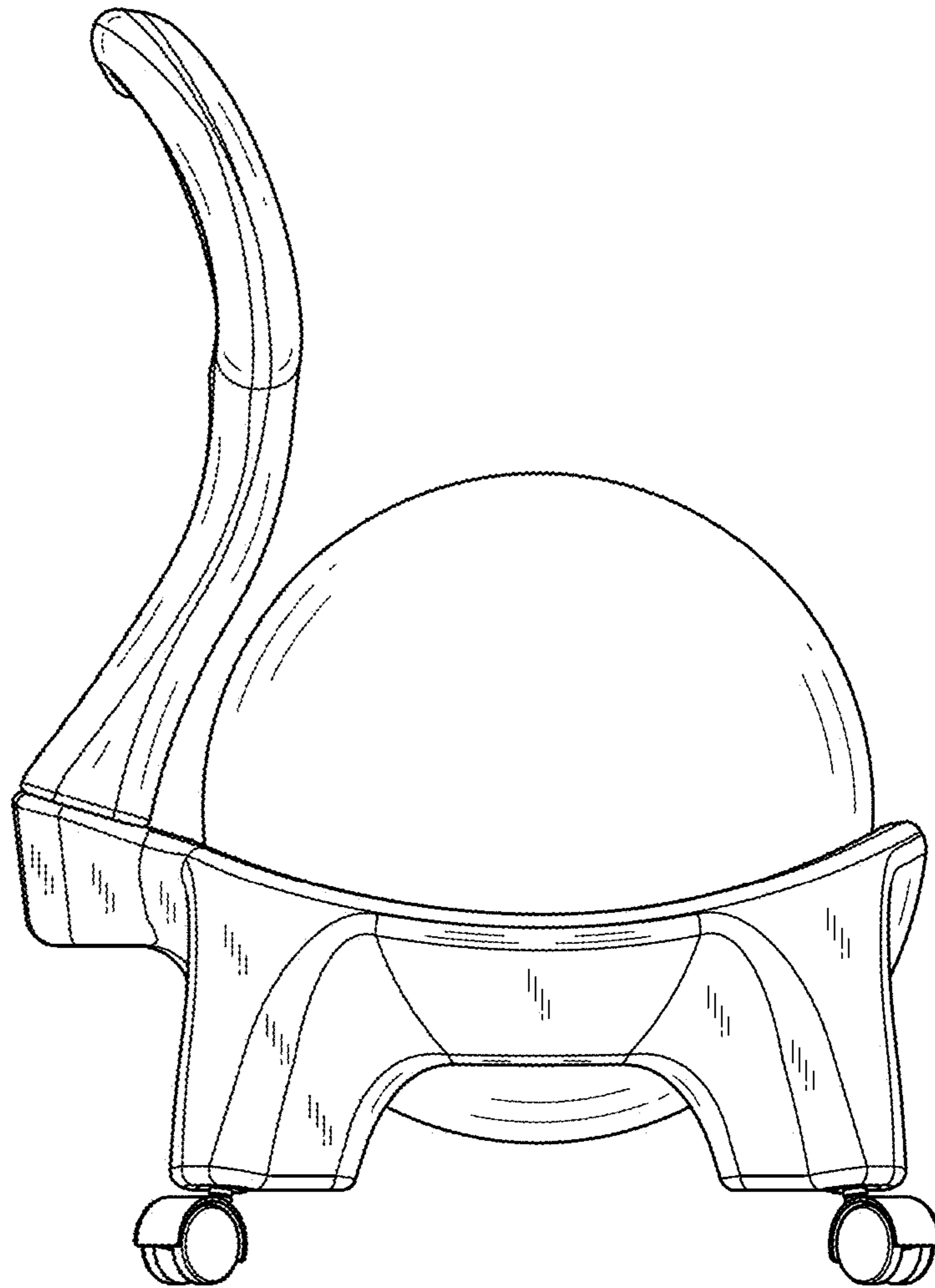


FIG. 4

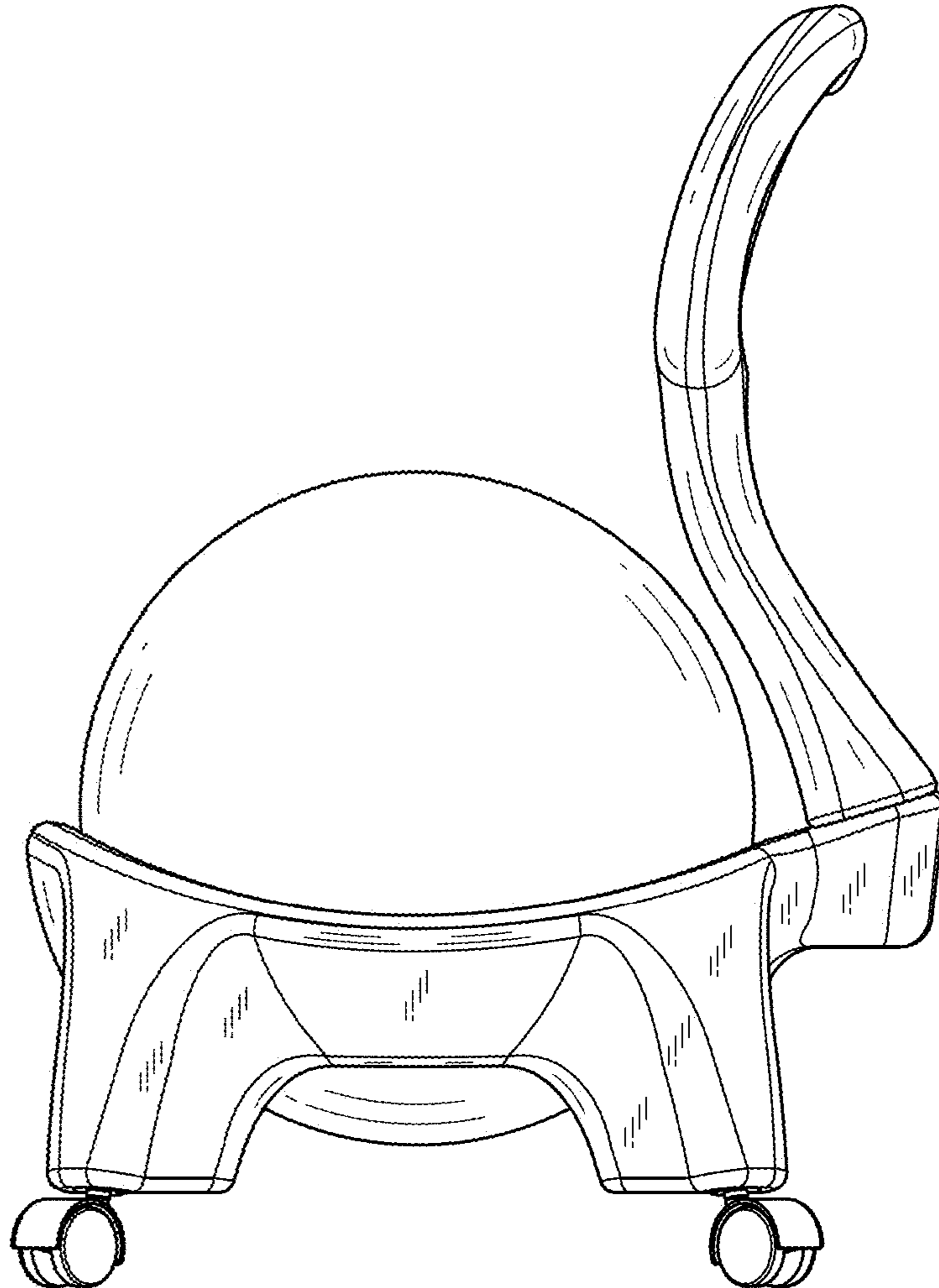


FIG. 5

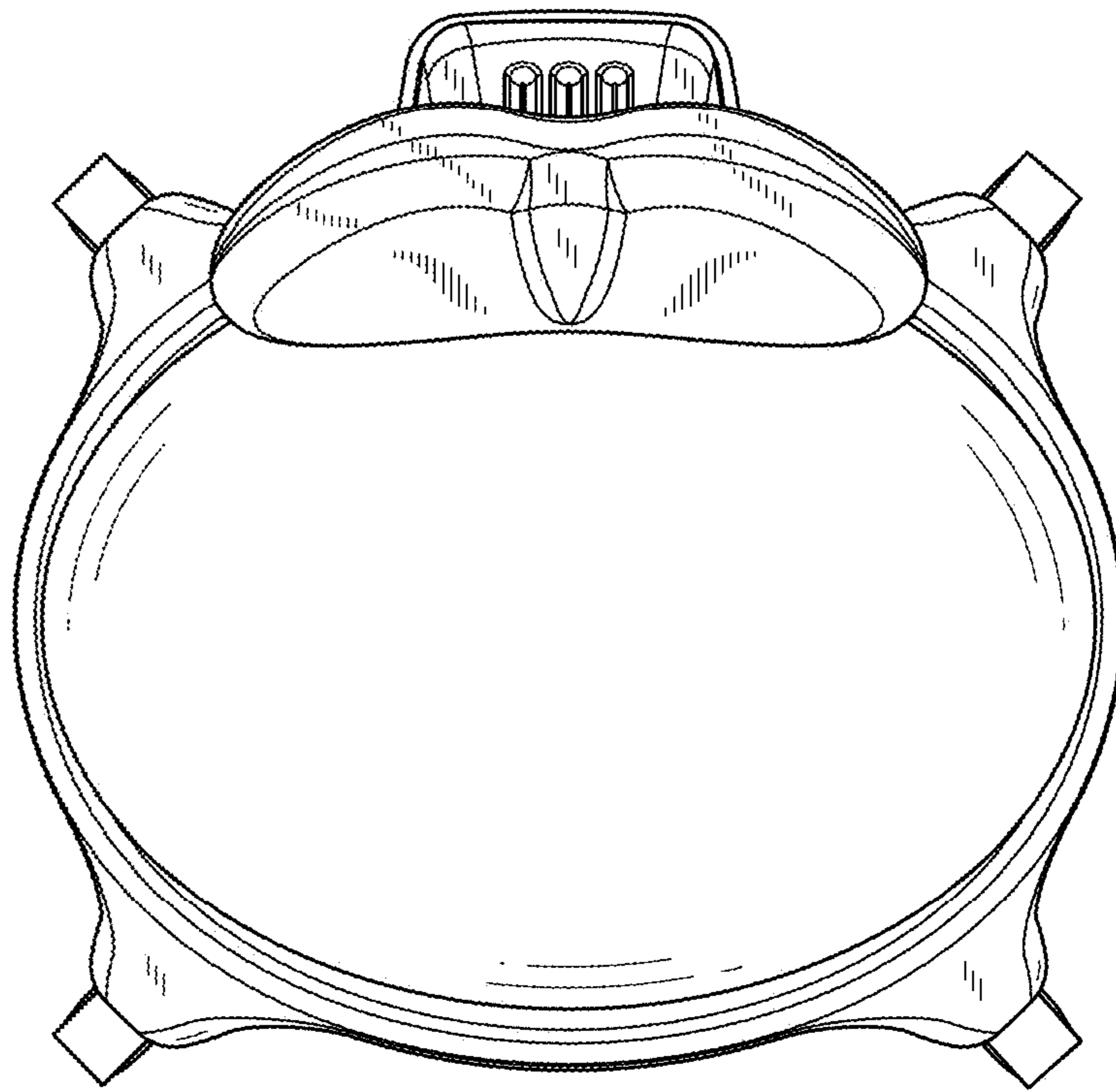


FIG. 6

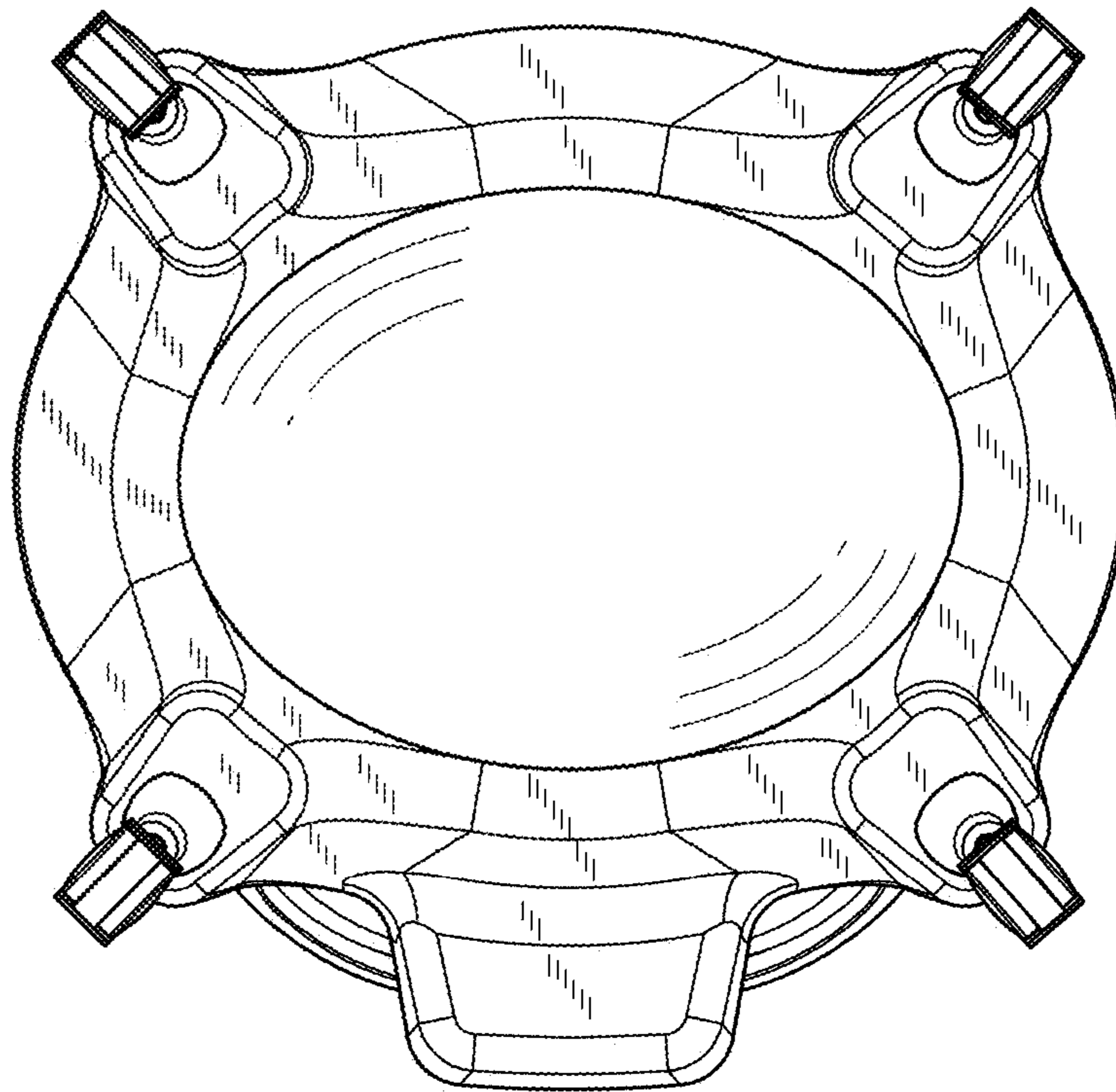


FIG. 7

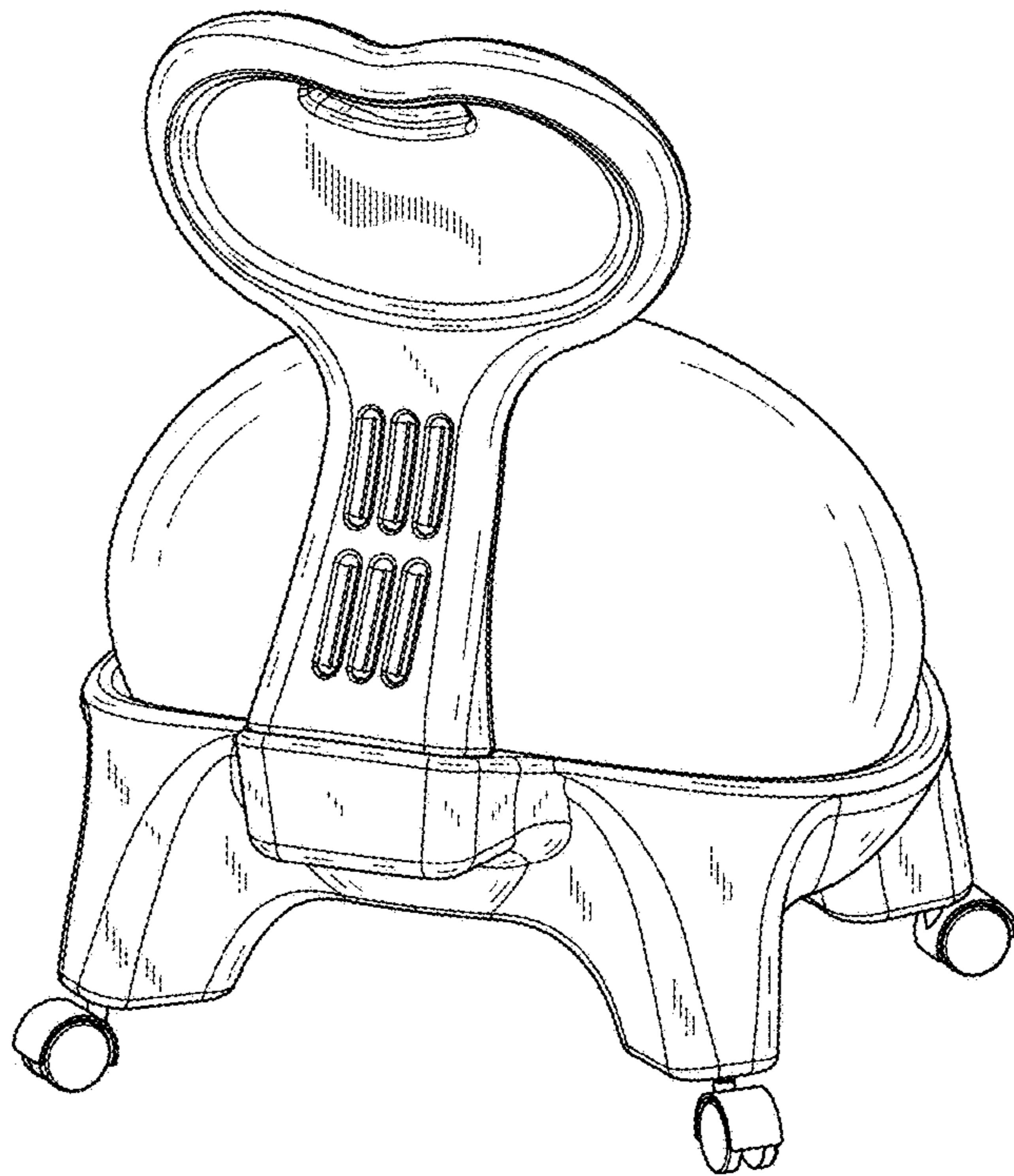


FIG. 8

UNITED STATES PATENT AND TRADEMARK OFFICE
CERTIFICATE OF CORRECTION

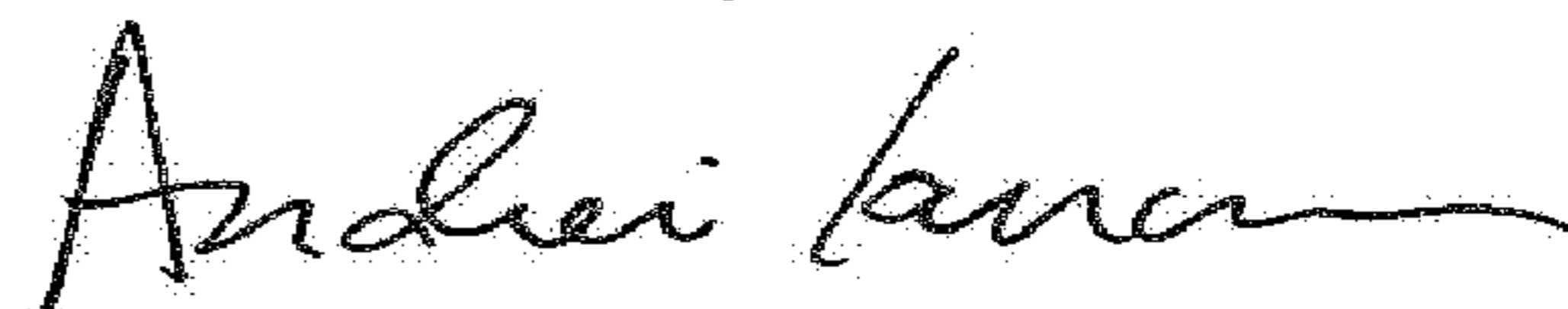
PATENT NO. : D783,301 S
APPLICATION NO. : 29/539667
DATED : April 11, 2017
INVENTOR(S) : Chih-Chan Hsu

Page 1 of 1

It is certified that error appears in the above-identified patent and that said Letters Patent is hereby corrected as shown below:

In (73) Assignee, change "CHI LIN SPORT CO., LTD., CHANG-HWA-HSIEN, TAIWAN" to
--CHIA LIN SPORT CO., LTD., CHANG-HWA-HSIEN, TAIWAN--.

Signed and Sealed this
Twentieth Day of March, 2018



Andrei Iancu
Director of the United States Patent and Trademark Office