



US00D783299S

(12) **United States Design Patent**  
**Cochran et al.**

(10) **Patent No.:** **US D783,299 S**  
(45) **Date of Patent:** **\*\* Apr. 11, 2017**

- (54) **LOUNGE CHAIR**
- (71) Applicant: **LANDSCAPE FORMS, INC.**,  
Kalamazoo, MI (US)
- (72) Inventors: **Andrea Cochran**, San Francisco, CA  
(US); **Brian Revoir**, Vicksburg, MI  
(US); **Jeremy Tsai**, Brooklyn, NY (US)
- (73) Assignee: **LANDSCAPE FORMS, INC.**,  
Kalamazoo, MI (US)
- (\*\*) Term: **15 Years**

D242,191 S *	11/1976	Halsted .....	D6/361
D286,709 S *	11/1986	Schultz .....	D6/361
D293,516 S *	1/1988	Schultz .....	D6/361
5,246,265 A *	9/1993	Nagan .....	A47C 4/20 297/31
D369,916 S *	5/1996	Lemoine .....	D6/361
6,158,069 A *	12/2000	Boothe .....	A47C 7/54 5/623
D445,577 S *	7/2001	Tseng .....	D6/361
D446,660 S *	8/2001	Pluer .....	D6/361
D513,910 S *	1/2006	Gehry .....	
D595,060 S *	6/2009	Van Duysen .....	D6/361
D630,031 S *	1/2011	Van Duysen .....	D6/361
8,205,936 B2 *	6/2012	Alessandro .....	A47C 1/143 297/118

- (21) Appl. No.: **29/536,887**
- (22) Filed: **Aug. 20, 2015**
- (51) **LOC (10) Cl.** ..... **06-01**
- (52) **U.S. Cl.**  
USPC ..... **D6/361**
- (58) **Field of Classification Search**  
USPC ..... D6/334-336, 361, 367, 370, 375, 716,  
D6/716.1, 716.2, 716.3, 716.4  
CPC .... A47C 4/20; A47C 4/28; A47C 4/30; A47C  
4/42; A47C 7/50; A47C 7/54; A47C 1/14;  
A47C 1/143  
See application file for complete search history.

\* cited by examiner

*Primary Examiner* — Mimosa De  
(74) *Attorney, Agent, or Firm* — Heslin Rothenberg  
Farley & Mesiti P.C.

- (56) **References Cited**  
U.S. PATENT DOCUMENTS  
3,716,271 A \* 2/1973 Kurz ..... A47C 1/143  
297/19  
D234,102 S \* 1/1975 Uyeda ..... D6/361

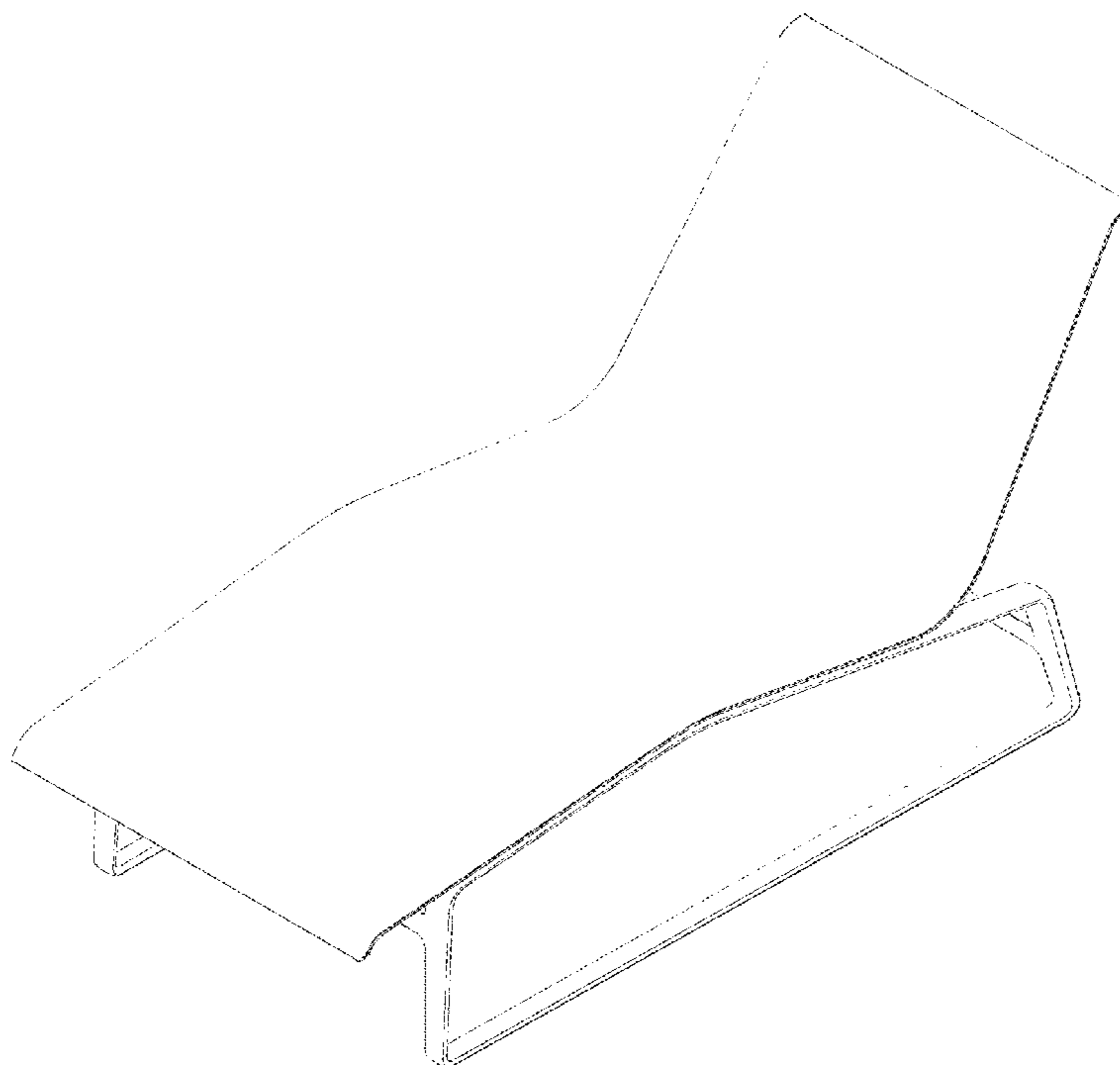
(57) **CLAIM**

The ornamental design for a lounge chair, as shown and described.

**DESCRIPTION**

FIG. 1 is a perspective view of the lounge chair of the present design;  
FIG. 2 is a front elevation view thereof;  
FIG. 3 is a right side elevation view thereof, the left side elevation view being a mirror image thereof;  
FIG. 4 is a top plan view thereof; and,  
FIG. 5 is a rear elevation view thereof.

**1 Claim, 5 Drawing Sheets**



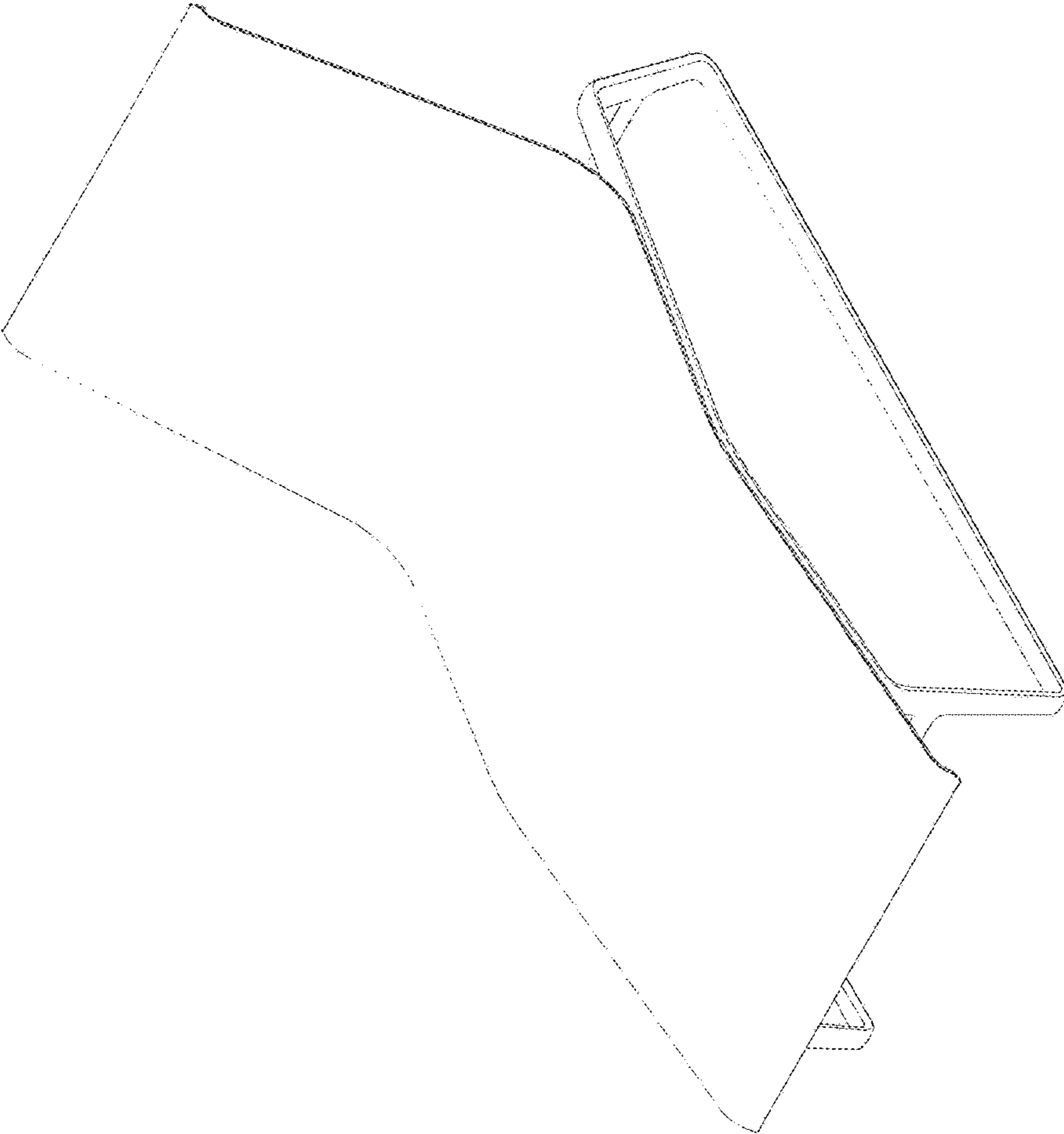


FIGURE 1

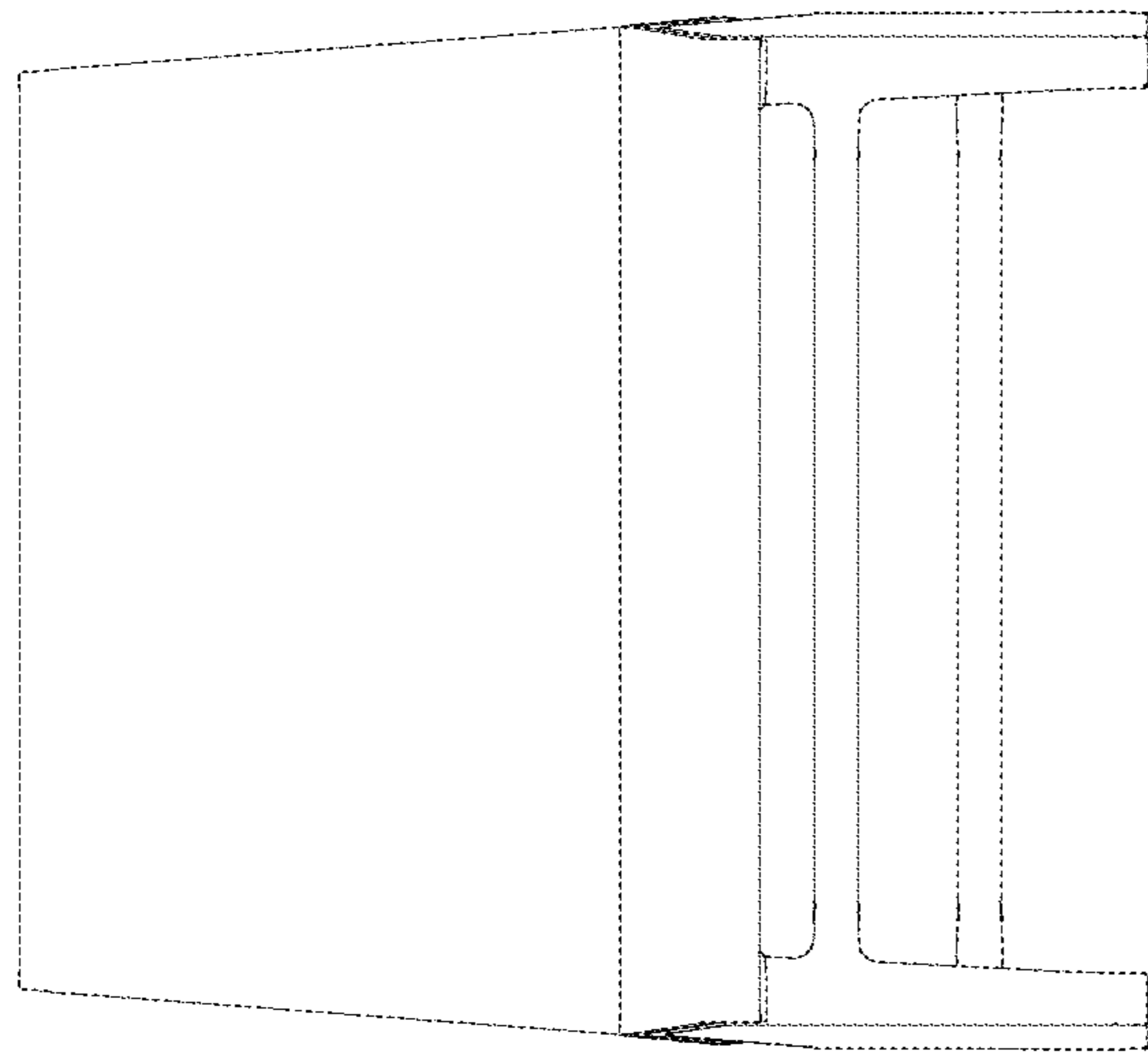


FIGURE 2

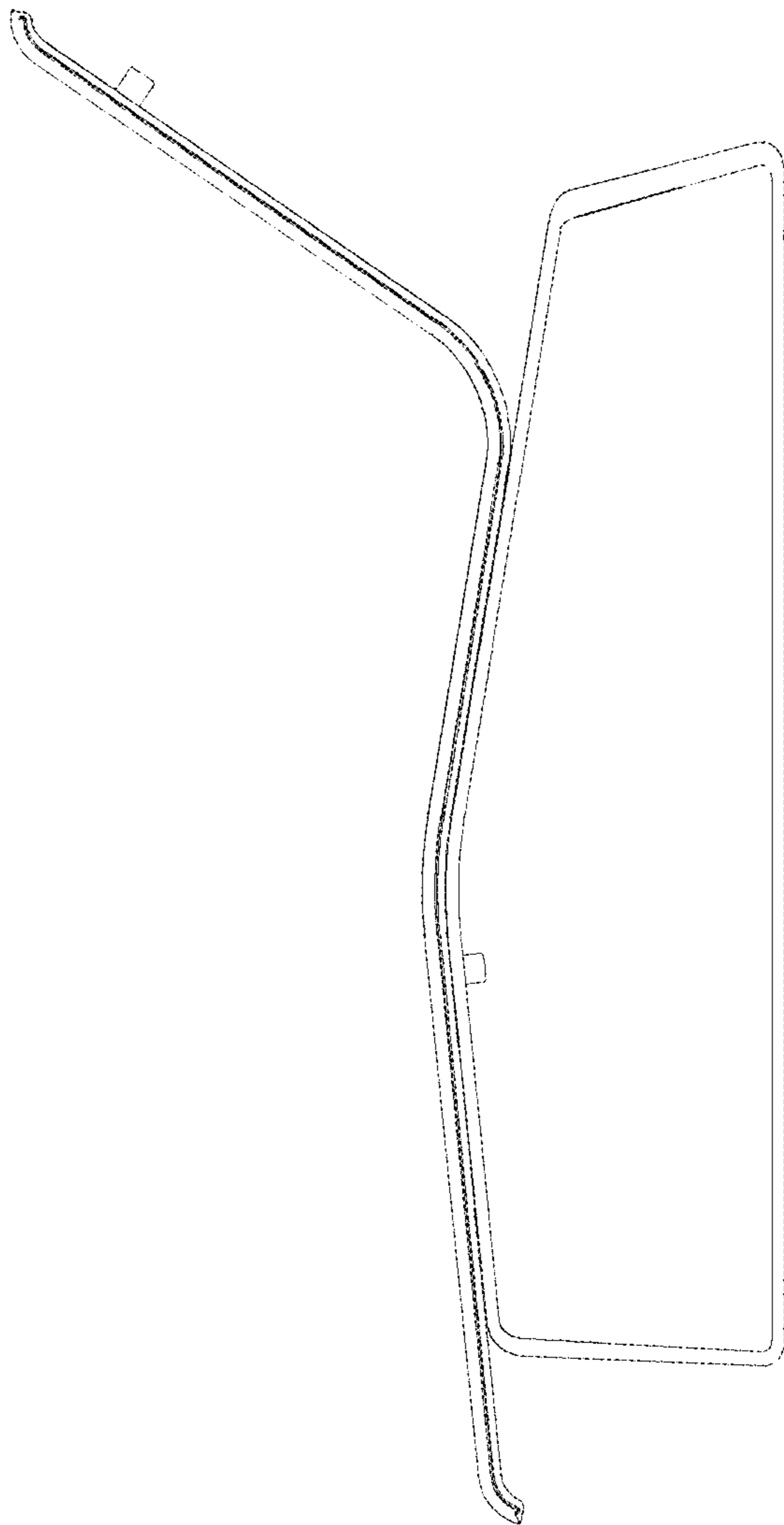


FIGURE 3

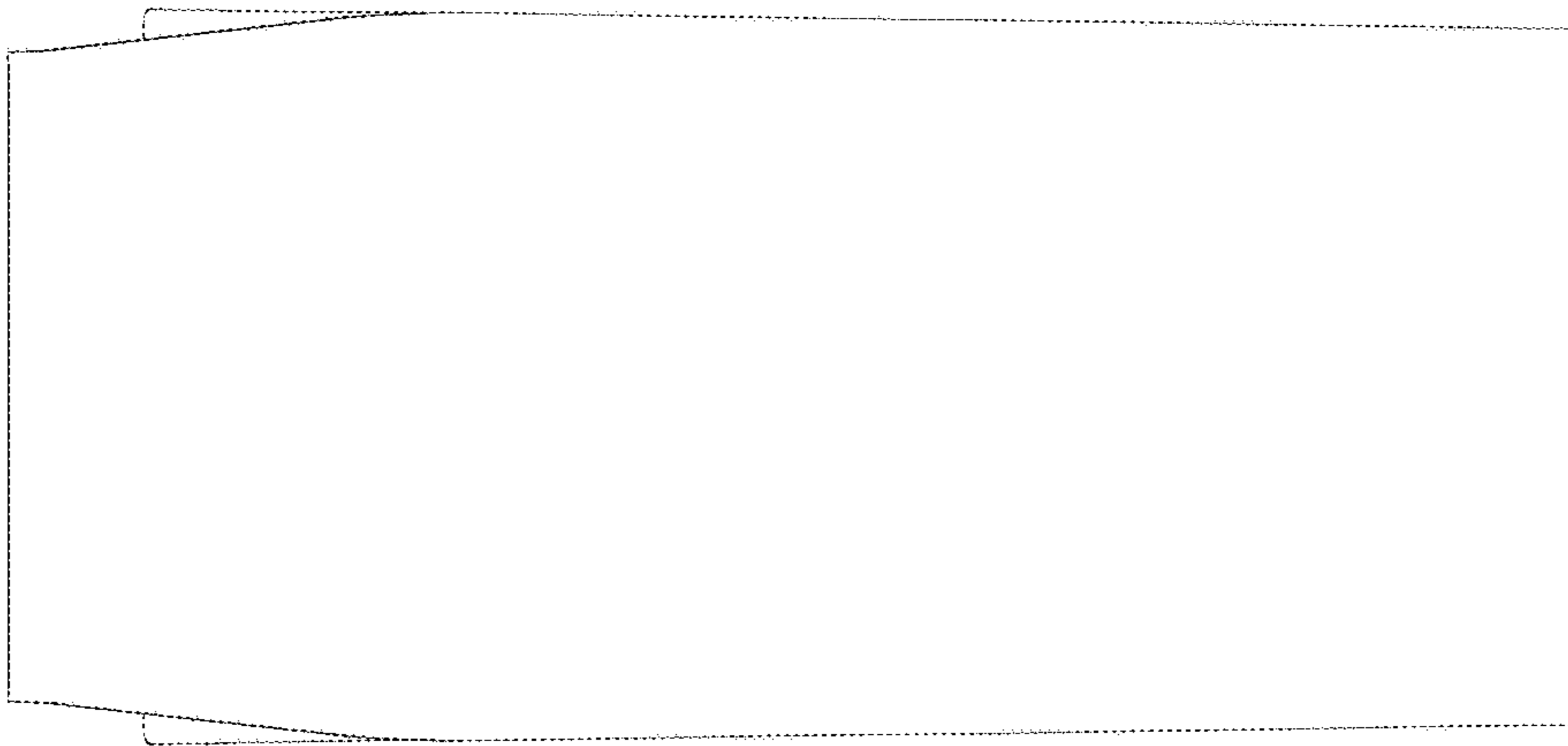


FIGURE 4

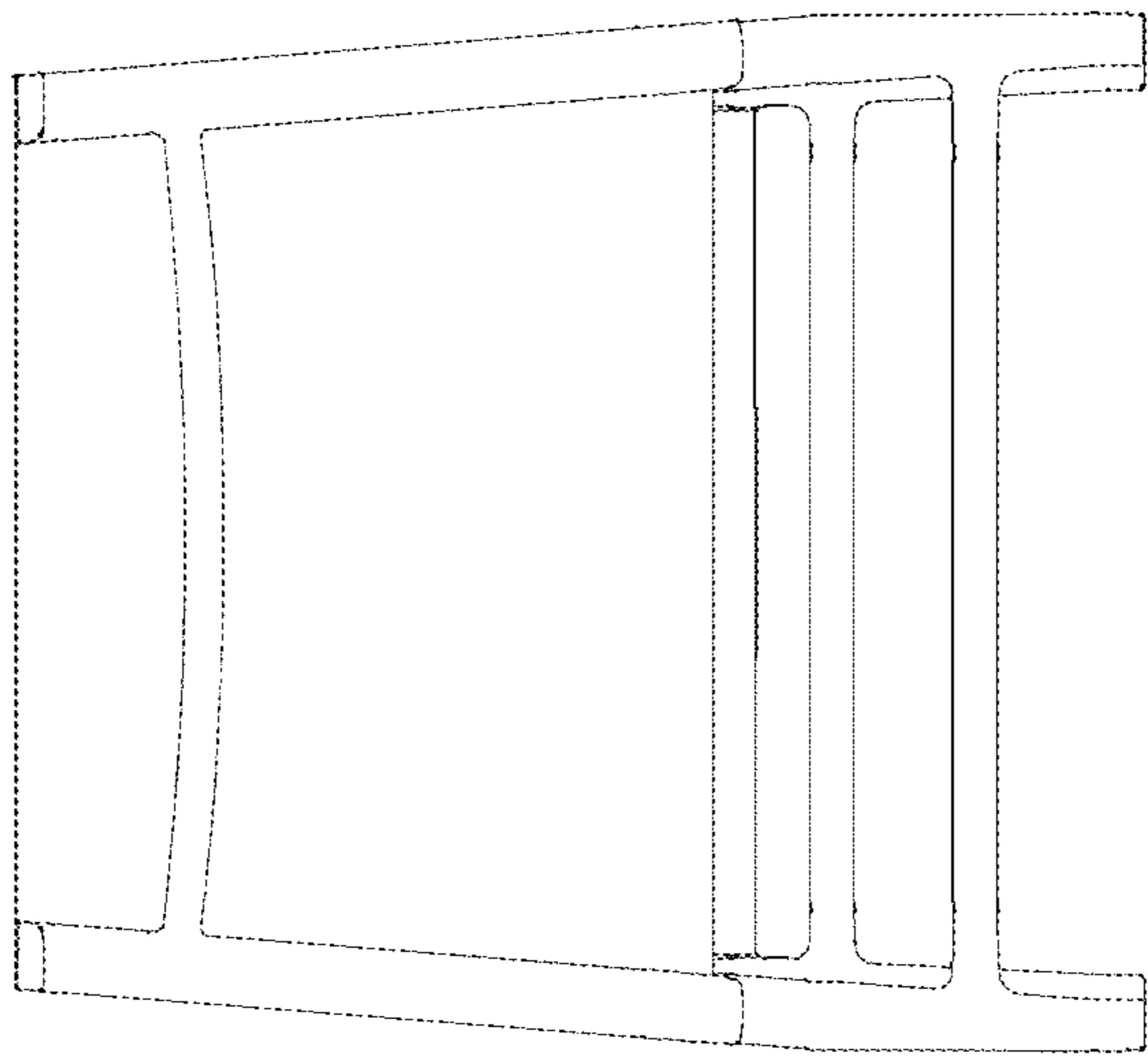


FIGURE 5