



US00D783298S

(12) **United States Design Patent**
Braca et al.

(10) **Patent No.:** **US D783,298 S**
(45) **Date of Patent:** **** Apr. 11, 2017**

(54) **SEATING UNIT FOR AIRCRAFT**
(71) Applicant: **OPTIMARES S.P.A.**, Sezze Scalo (IT)
(72) Inventors: **Alessandro Braca**, Latina (IT); **Andrea Giordano**, Sabaudia (IT); **Alessio Morsicani**, Latina (IT)

(**) Term: **15 Years**

(21) Appl. No.: **35/500,279**

(22) Filed: **Sep. 14, 2015**

(80) **Hague Agreement Data**

Int. Filing Date: **Sep. 14, 2015**
Int. Reg. No.: **DM/088138**
Int. Reg. Date: **Sep. 14, 2015**
Int. Reg. Pub. Date: **Nov. 20, 2015**

(51) **LOC (10) Cl.** **06-01**

(52) **U.S. Cl.**
USPC **D6/356; D6/336**

(58) **Field of Classification Search**
USPC D6/334-336, 341, 356, 371-375, 379, D6/380, 716; D12/195, 345
CPC A47C 3/12; A47C 5/00; A47C 5/06; A47C 5/12; A47C 7/16; A47C 7/54; B60N 2/00; B60N 2/005; B60N 2/01; B60N 2/24; B60N 2/441; B60N 3/001; B60N 3/10; B64D 11/00; B64D 11/06; B64D 11/0606; B64D 11/0627
See application file for complete search history.

(56) **References Cited**

U.S. PATENT DOCUMENTS

5,560,681 A * 10/1996 Dixon B60N 2/4495
297/284.11
6,173,921 B1 * 1/2001 Neumann B64D 11/06
244/118.6
D443,990 S * 6/2001 Beroth D6/356
7,419,214 B2 * 9/2008 Plant B60N 2/34
244/118.6

7,469,861 B2 * 12/2008 Ferry B60N 2/206
244/118.6
D591,520 S * 5/2009 Orson D6/356
D598,665 S * 8/2009 Cloet D6/356
D598,666 S * 8/2009 Cloet D6/356
7,578,470 B2 * 8/2009 Plant B64D 11/06
244/118.6
D661,116 S * 6/2012 Darbyshire D6/356
D718,945 S * 12/2014 Nicholas D6/356

(Continued)

Primary Examiner — Mary Ann Calabrese

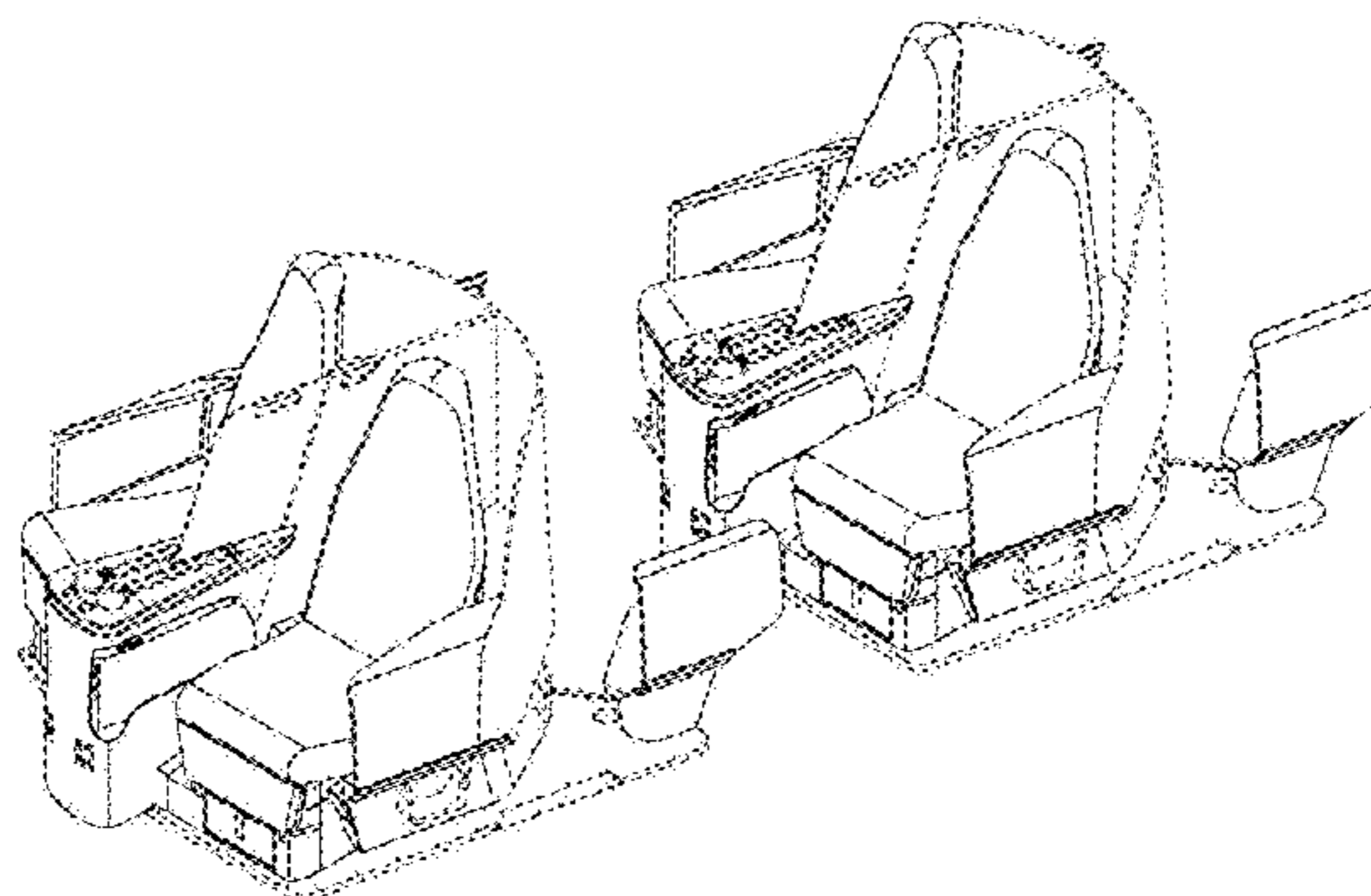
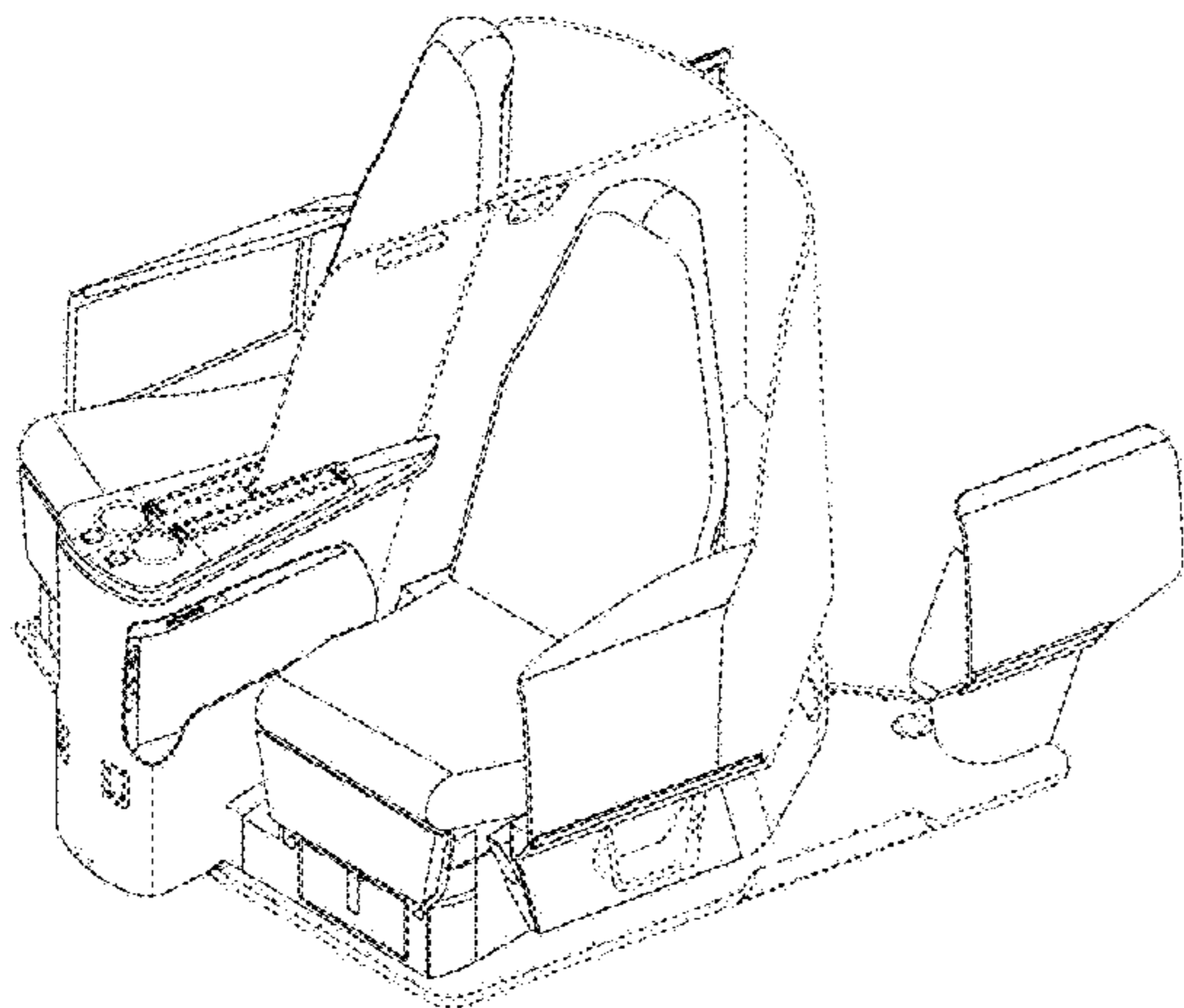
(57) **CLAIM**

The ornamental design for a seating unit for aircraft, as shown and described.

DESCRIPTION

1.-2. Seating unit for aircraft
1.1 is a front right perspective view of the first embodiment of a seating unit for aircraft showing our new design;
1.2 is a top view of the design shown in view **1.1**;
1.3 is a bottom view of the design shown in view **1.1**;
1.4 is a front view of the design shown in view **1.1**;
1.5 is a back view of the design shown in view **1.1**;
1.6 is a right side view of the design shown in view **1.1**;
1.7 is a left side view of the design shown in view **1.1**;
1.8 is a back left perspective view of the design shown in view **1.1**;
2.1 is a front right perspective view of the second embodiment of a seating unit for aircraft showing our new design;
2.2 is a back right perspective view of the design shown in view **2.1**;
2.3 is a right side view of the design shown in view **2.1**;
2.4 is a left side view of the design shown in view **2.1**;
2.5 is a front view of the design shown in view **2.1**;
2.6 is a back view of the design shown in view **2.1**;
2.7 is a top view of the design shown in view **2.1**; and
2.8 is a bottom view of the design shown in view **2.1**.
The broken lines show portions of the seating unit for aircraft that form no part of the claimed design.

1 Claim, 16 Drawing Sheets



(56)

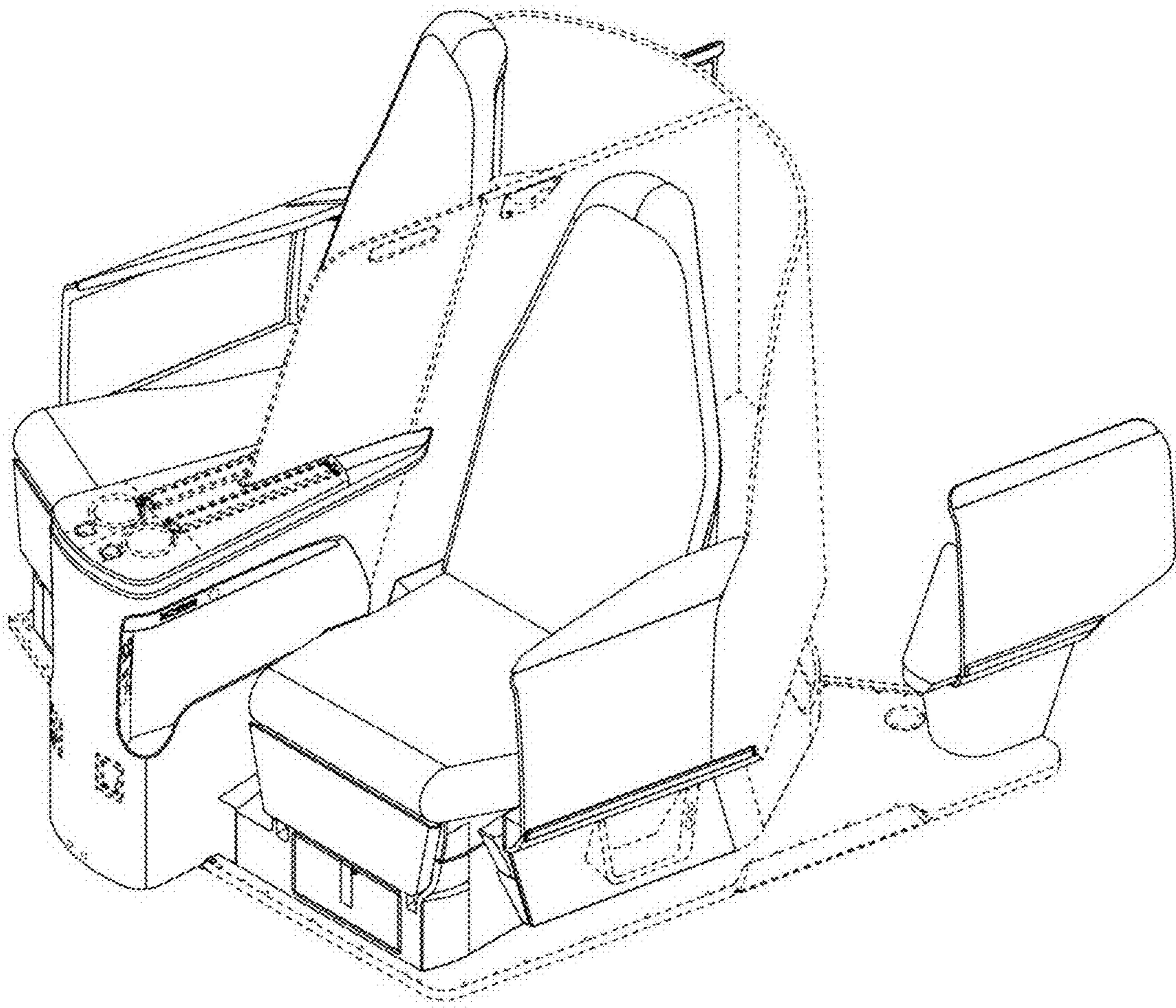
References Cited

U.S. PATENT DOCUMENTS

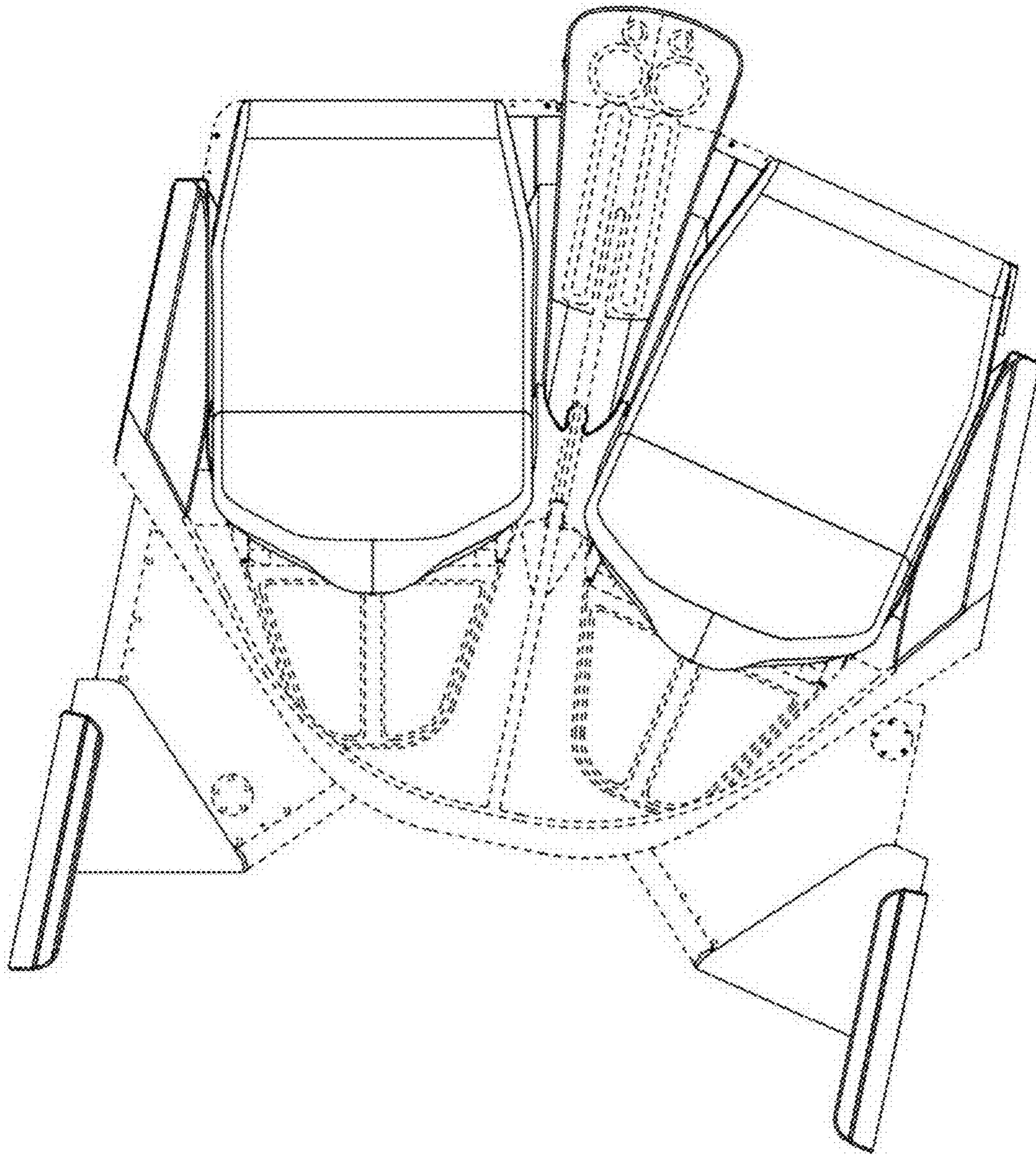
D741,609 S * 10/2015 Williams D6/338
2015/0166182 A1* 6/2015 Ducreux B64D 11/06
244/118.6

* cited by examiner

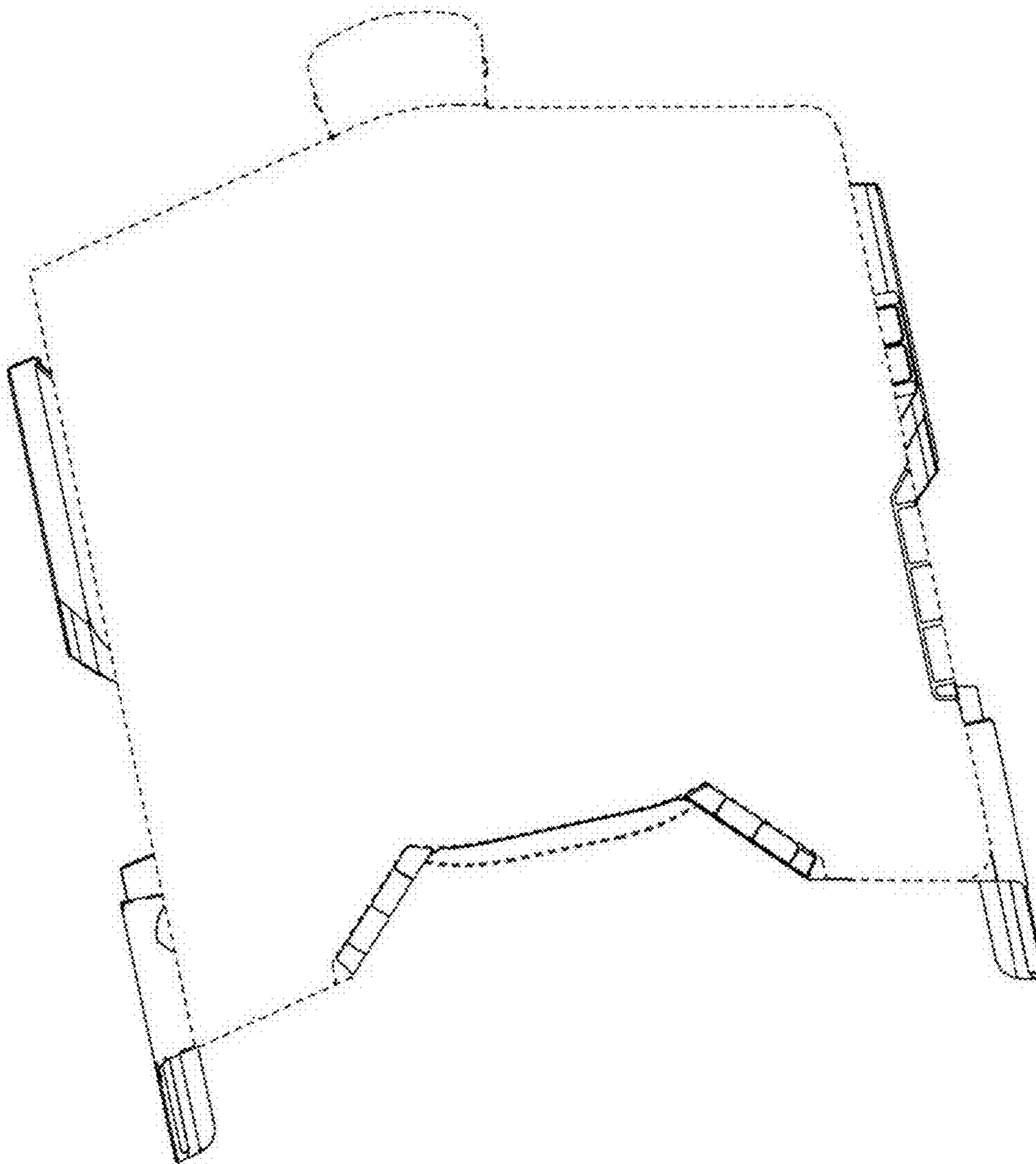
1.1



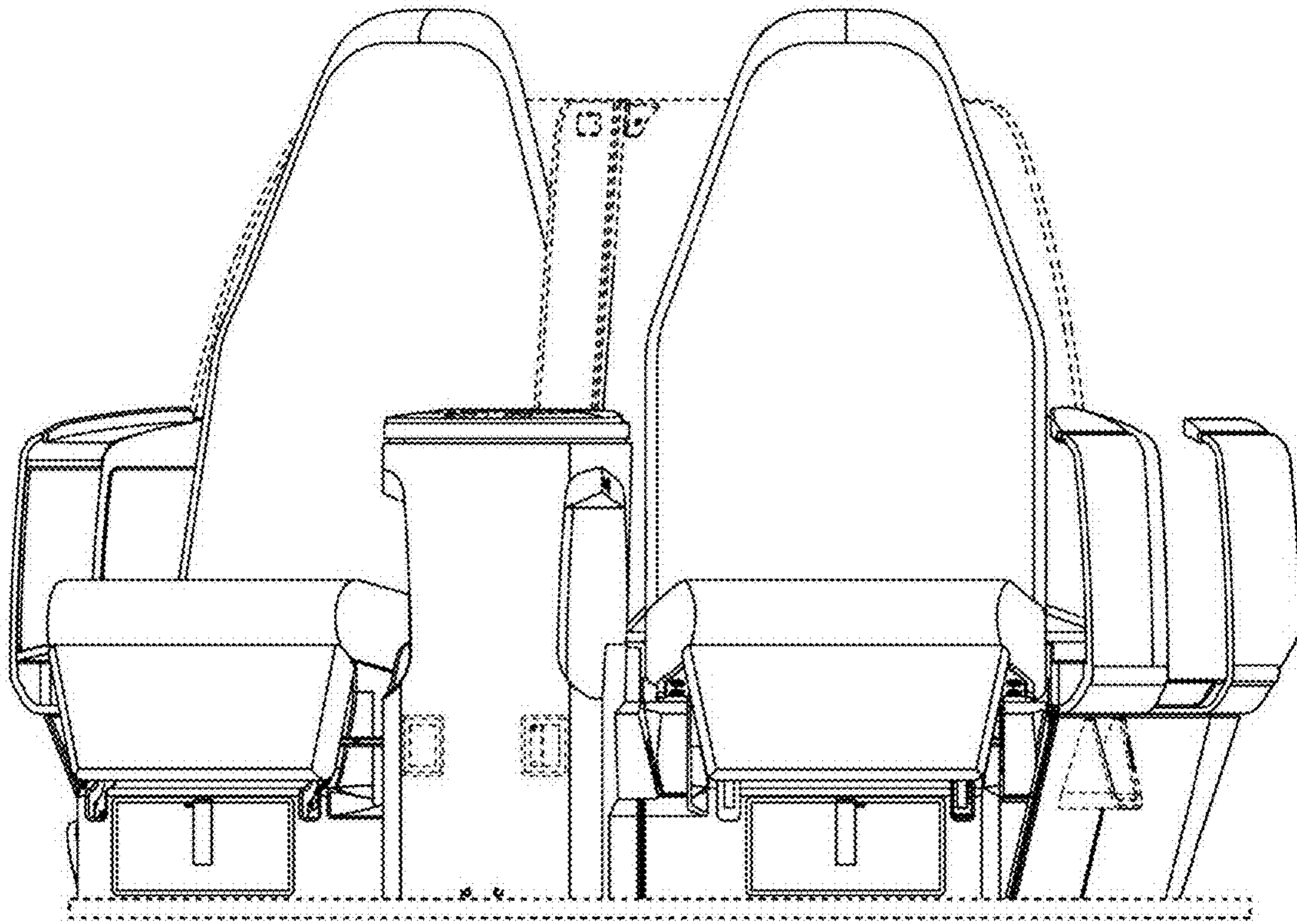
1.2



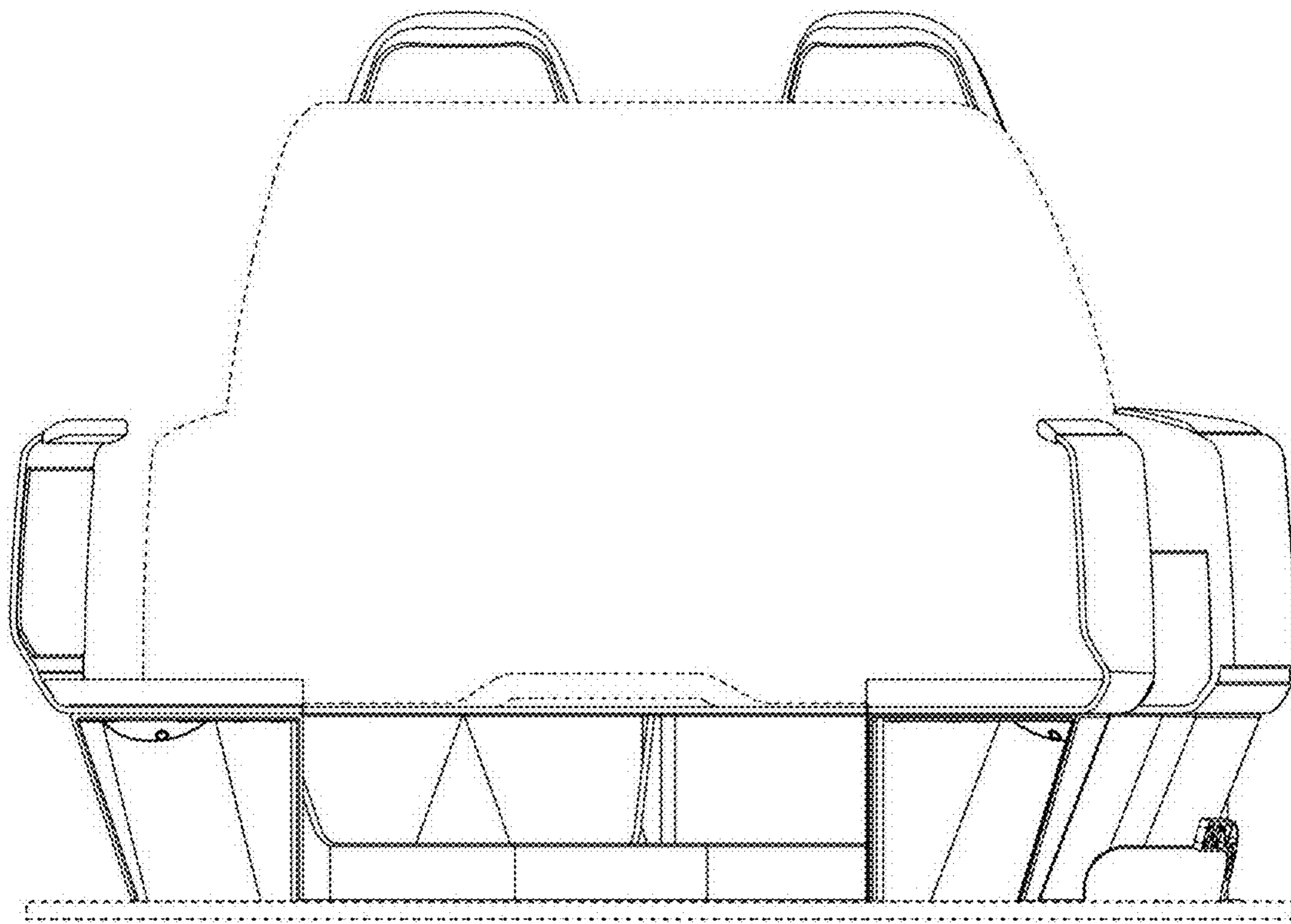
1.3



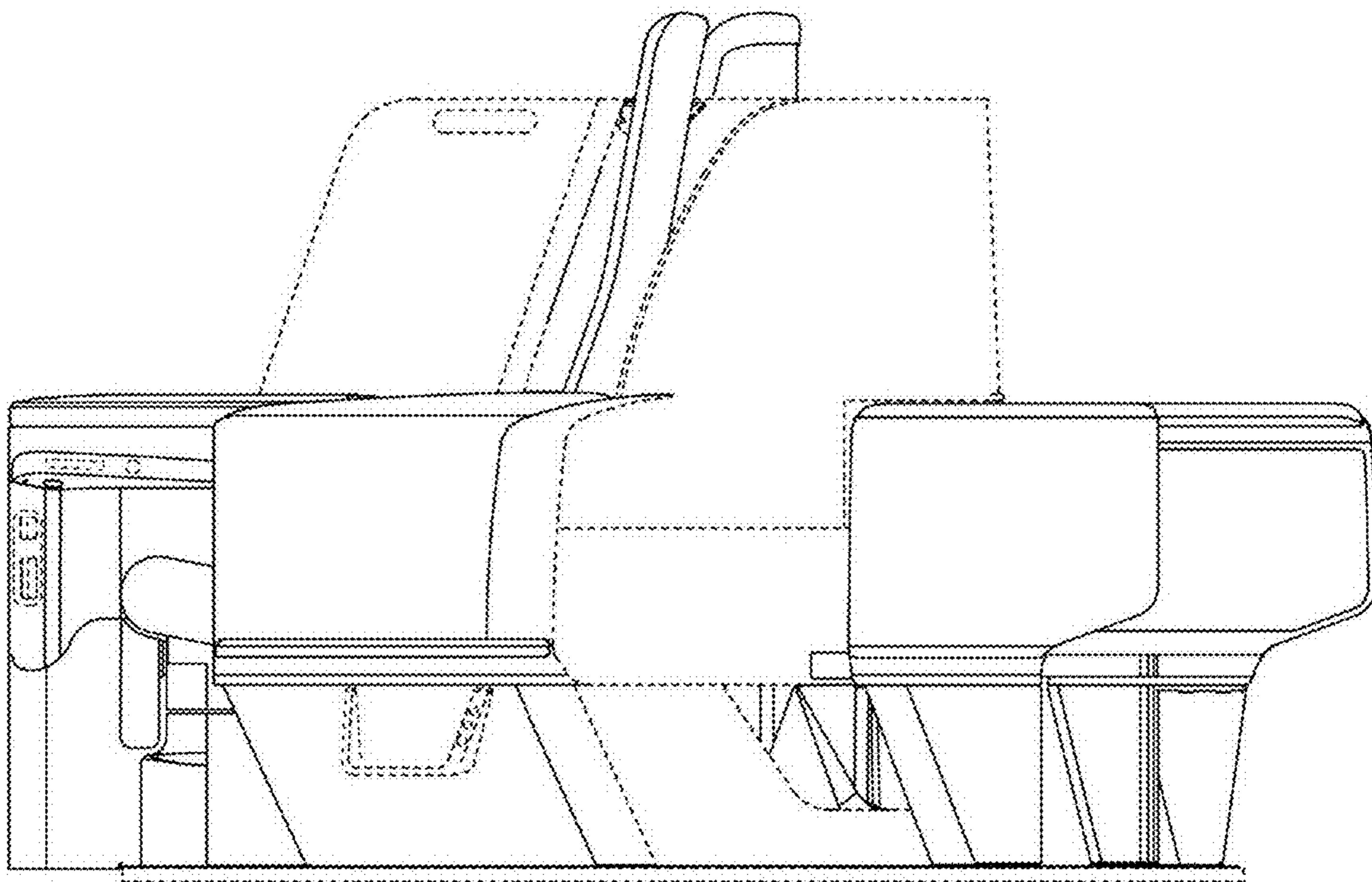
1.4



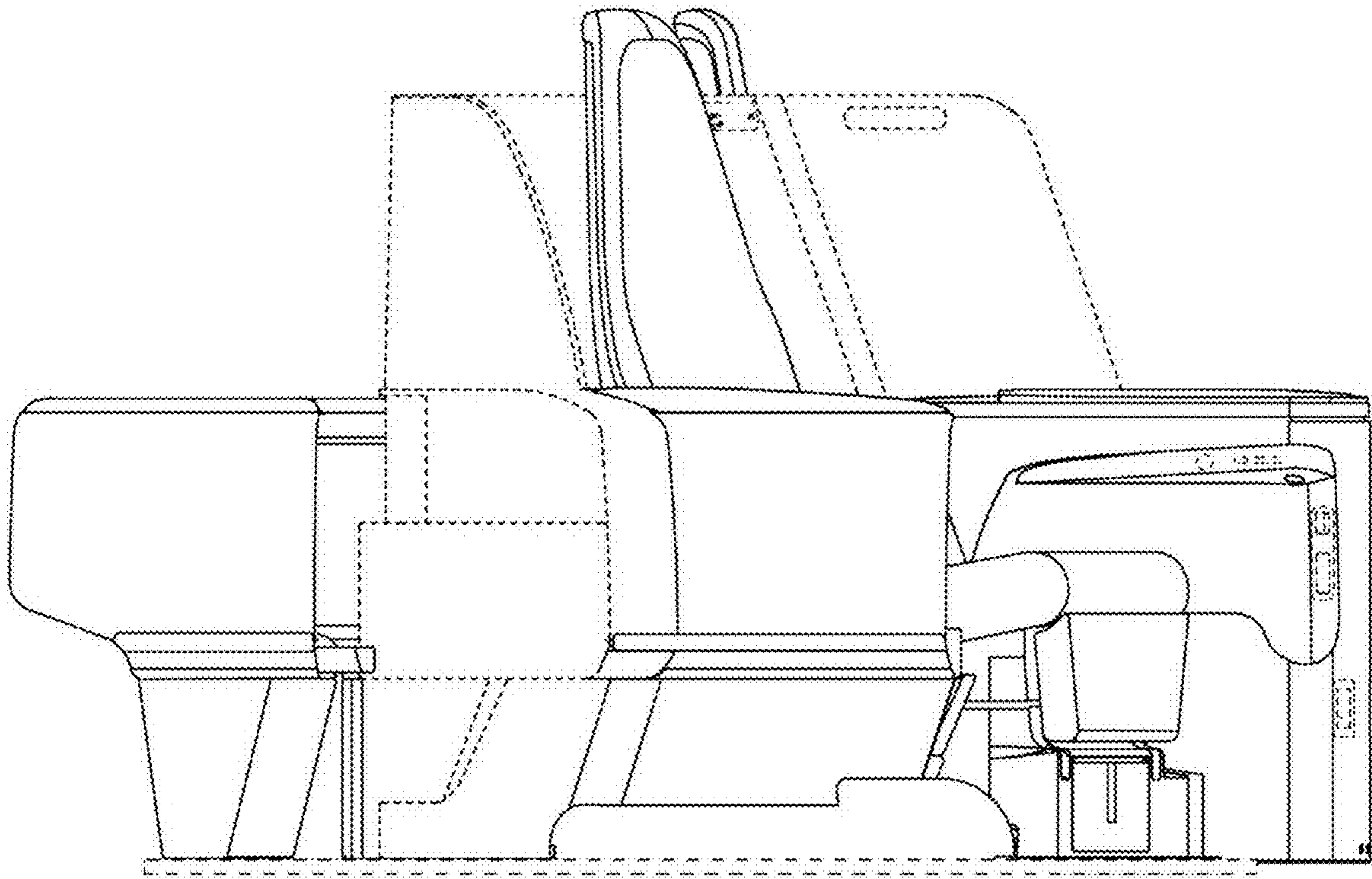
15



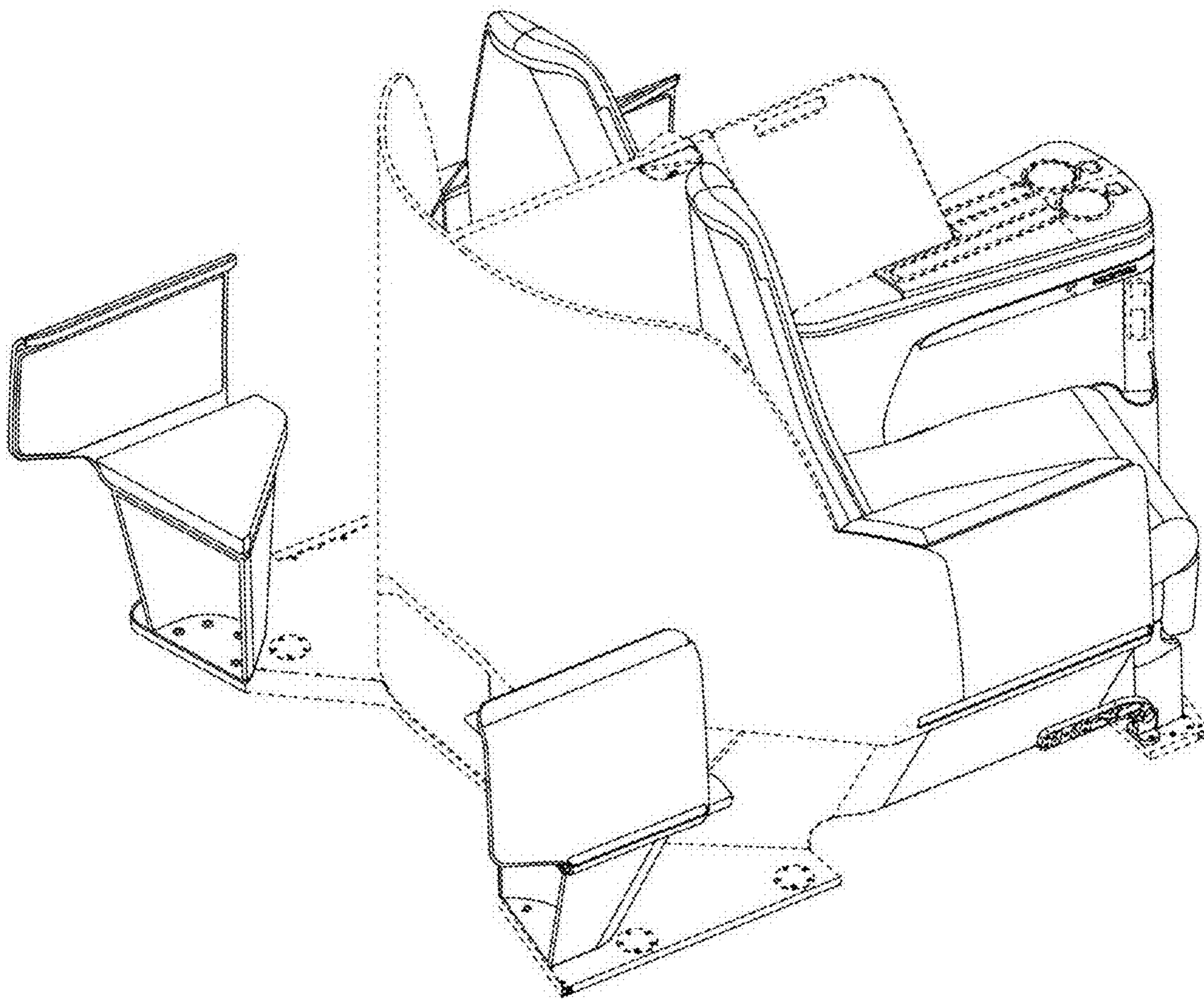
1.6



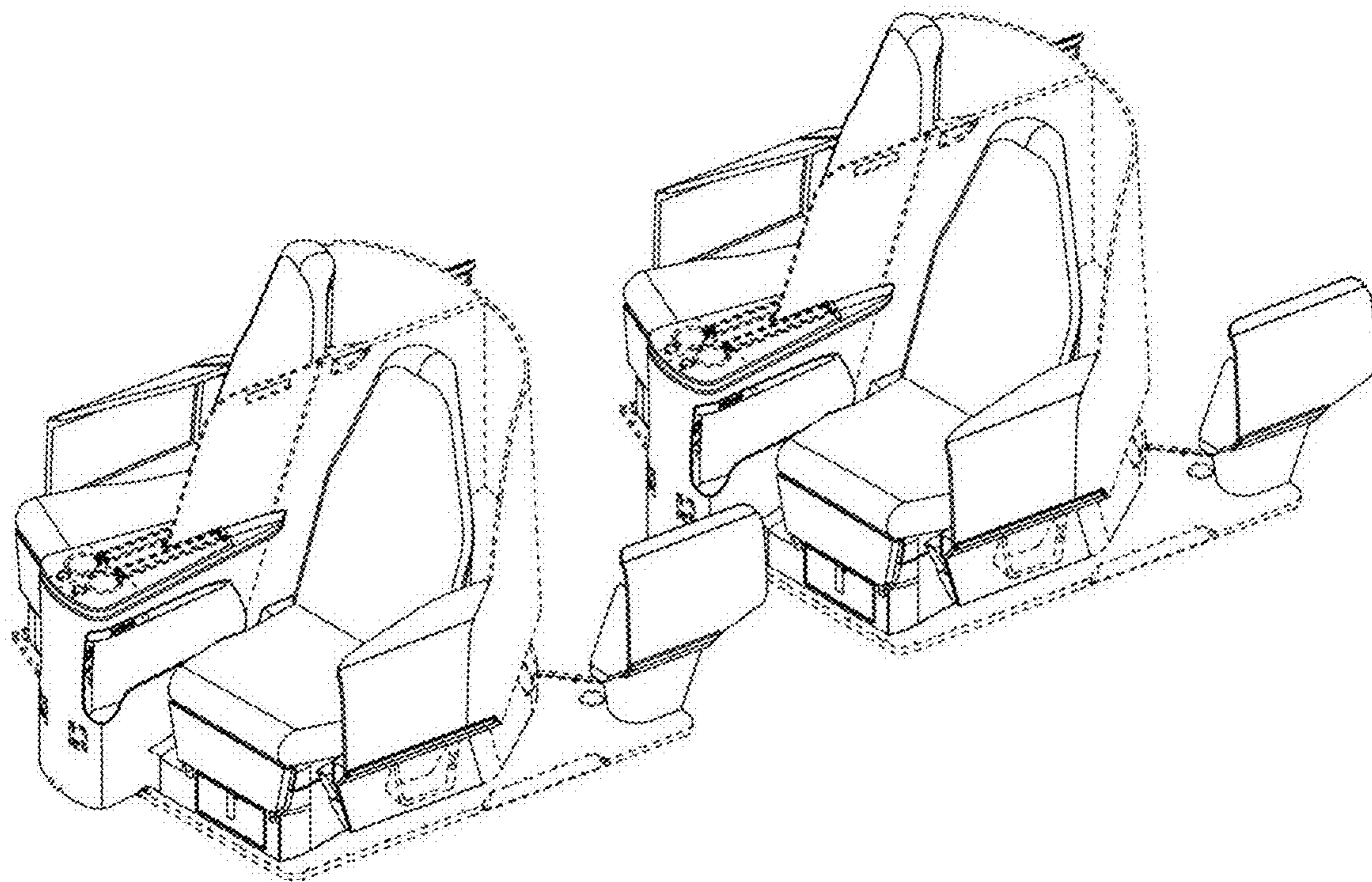
1.7



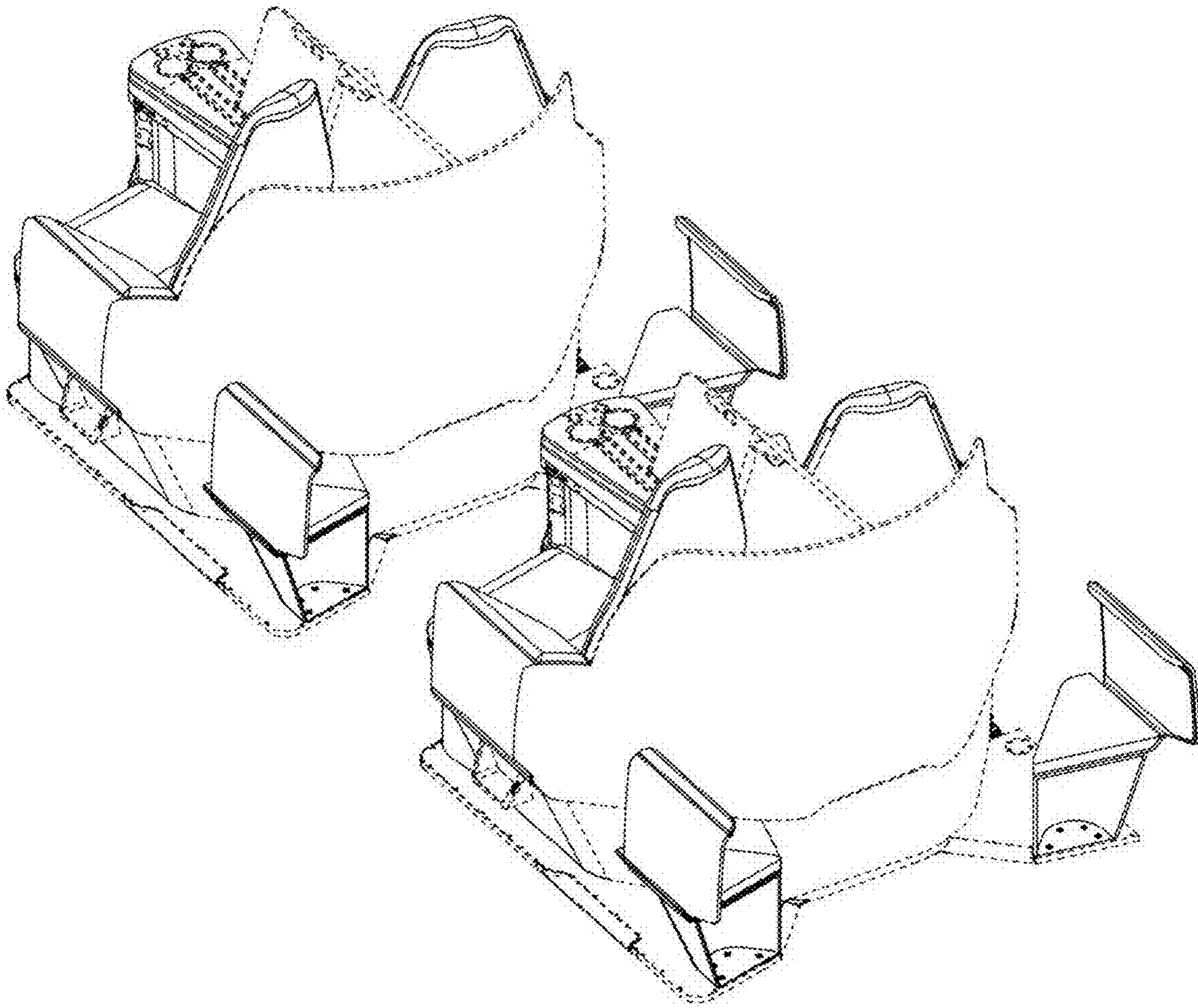
1.8



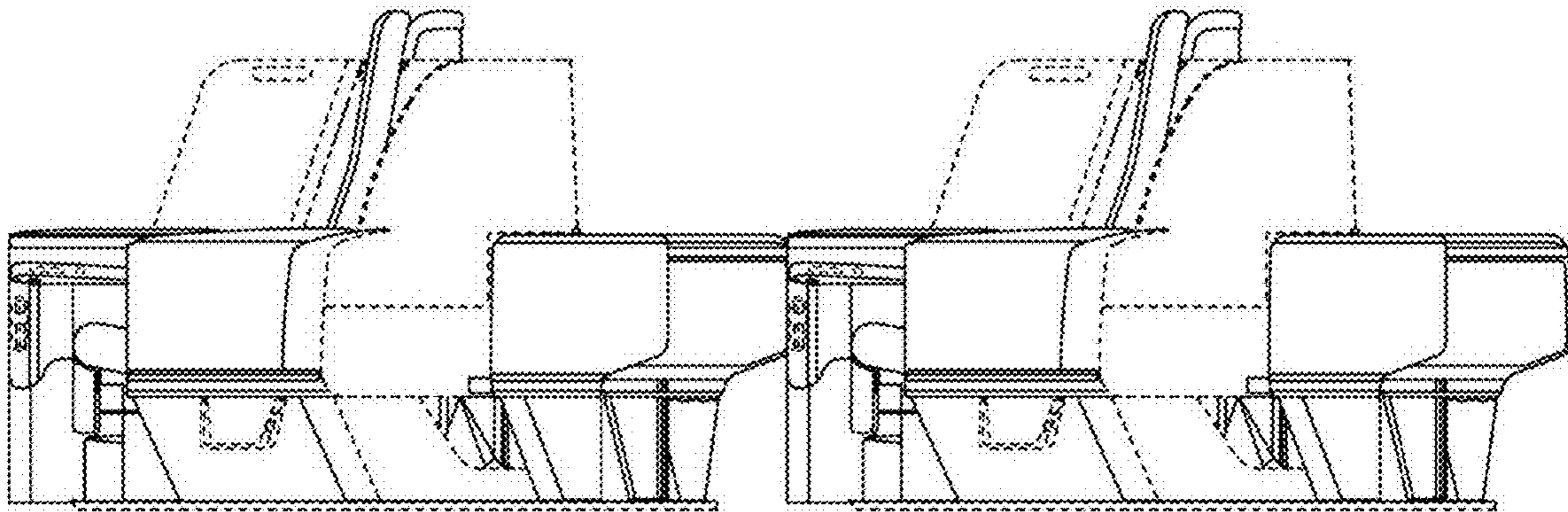
2.1



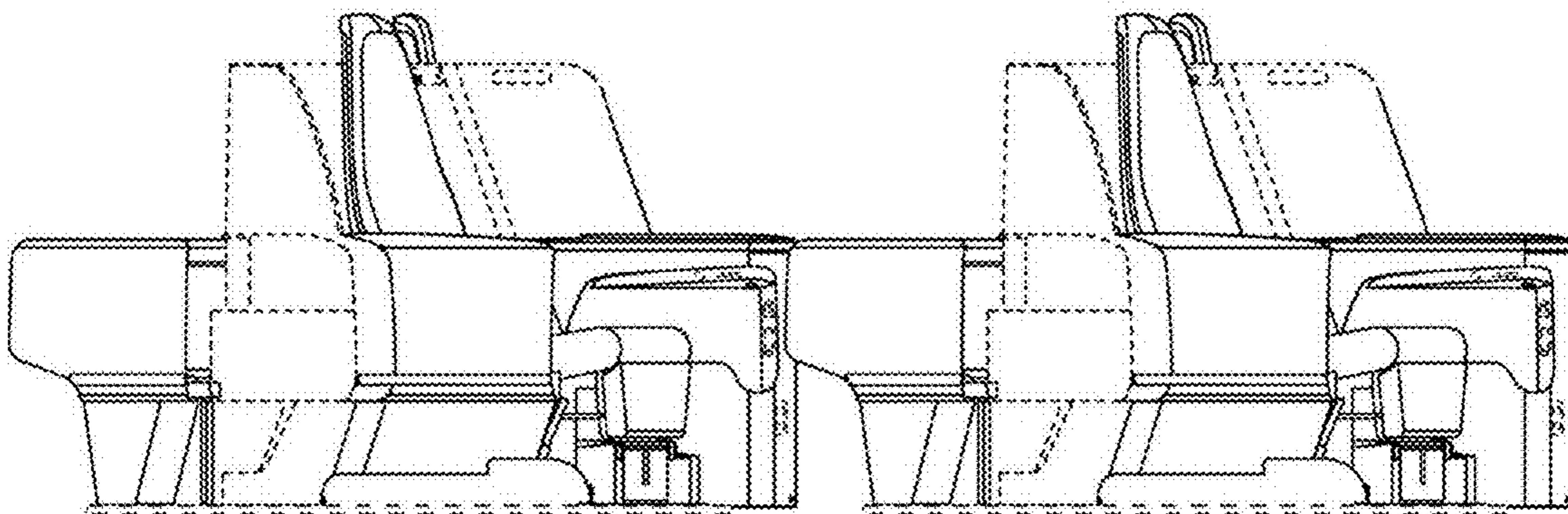
2.2



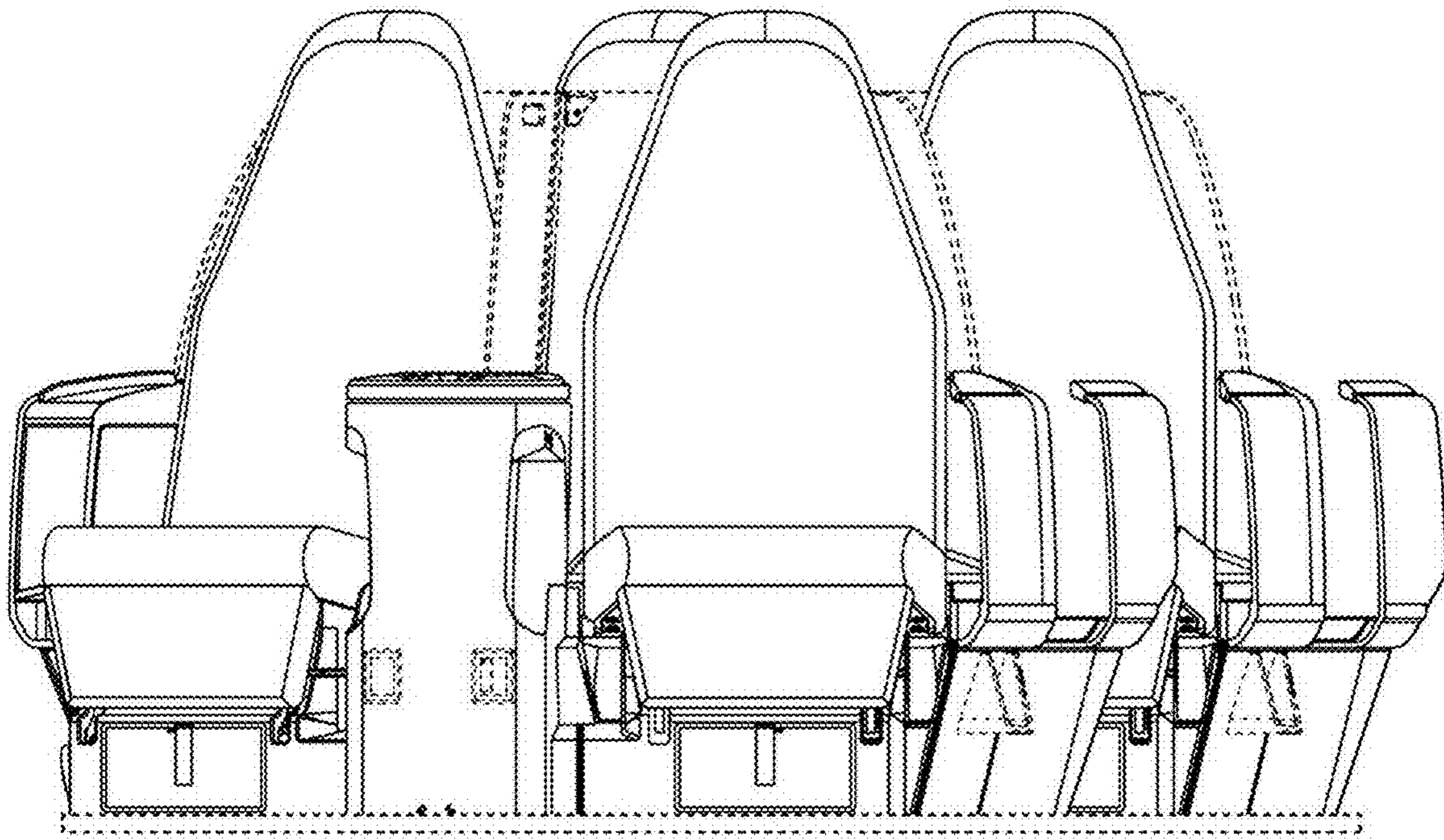
2.3



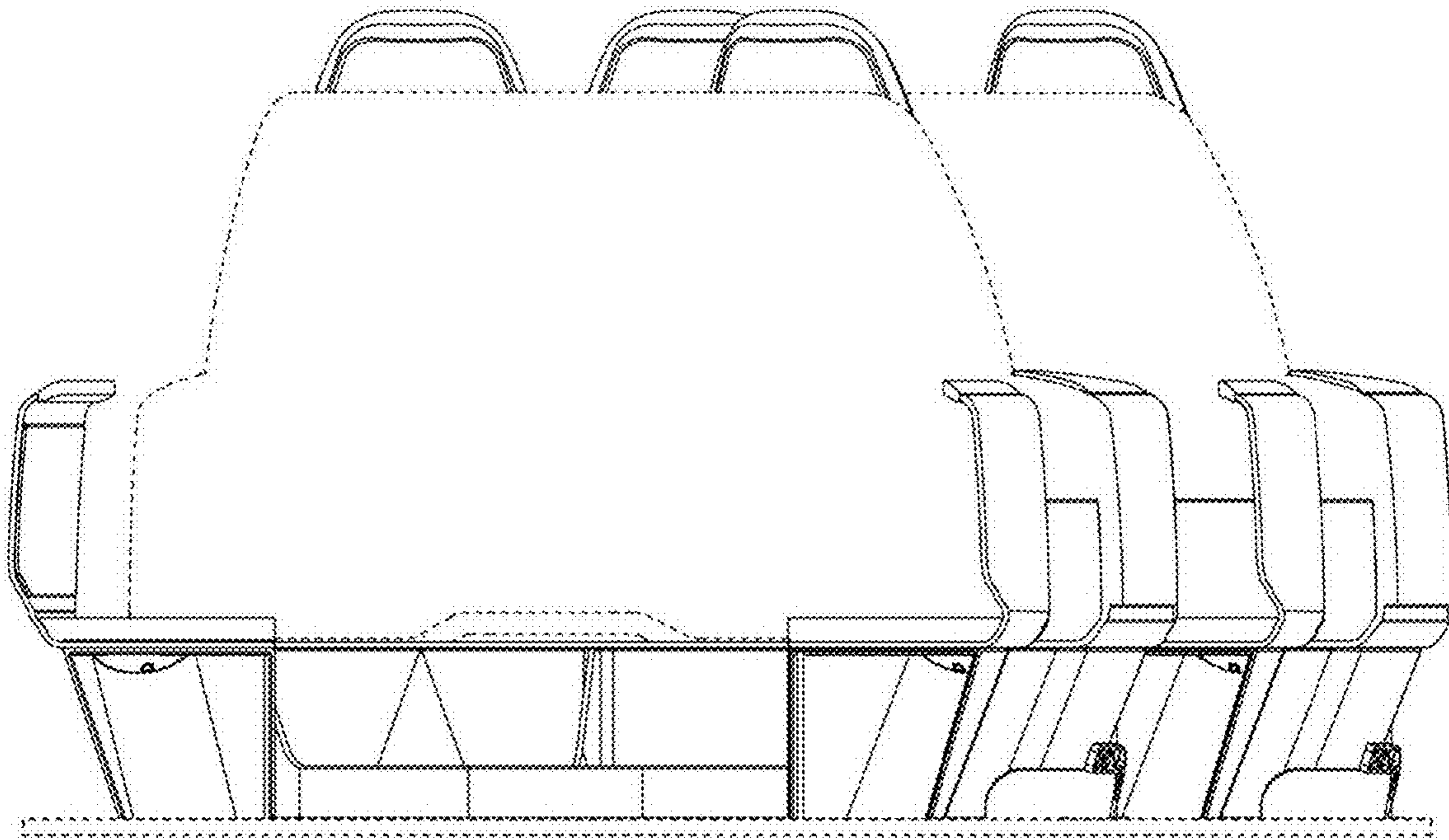
2.4



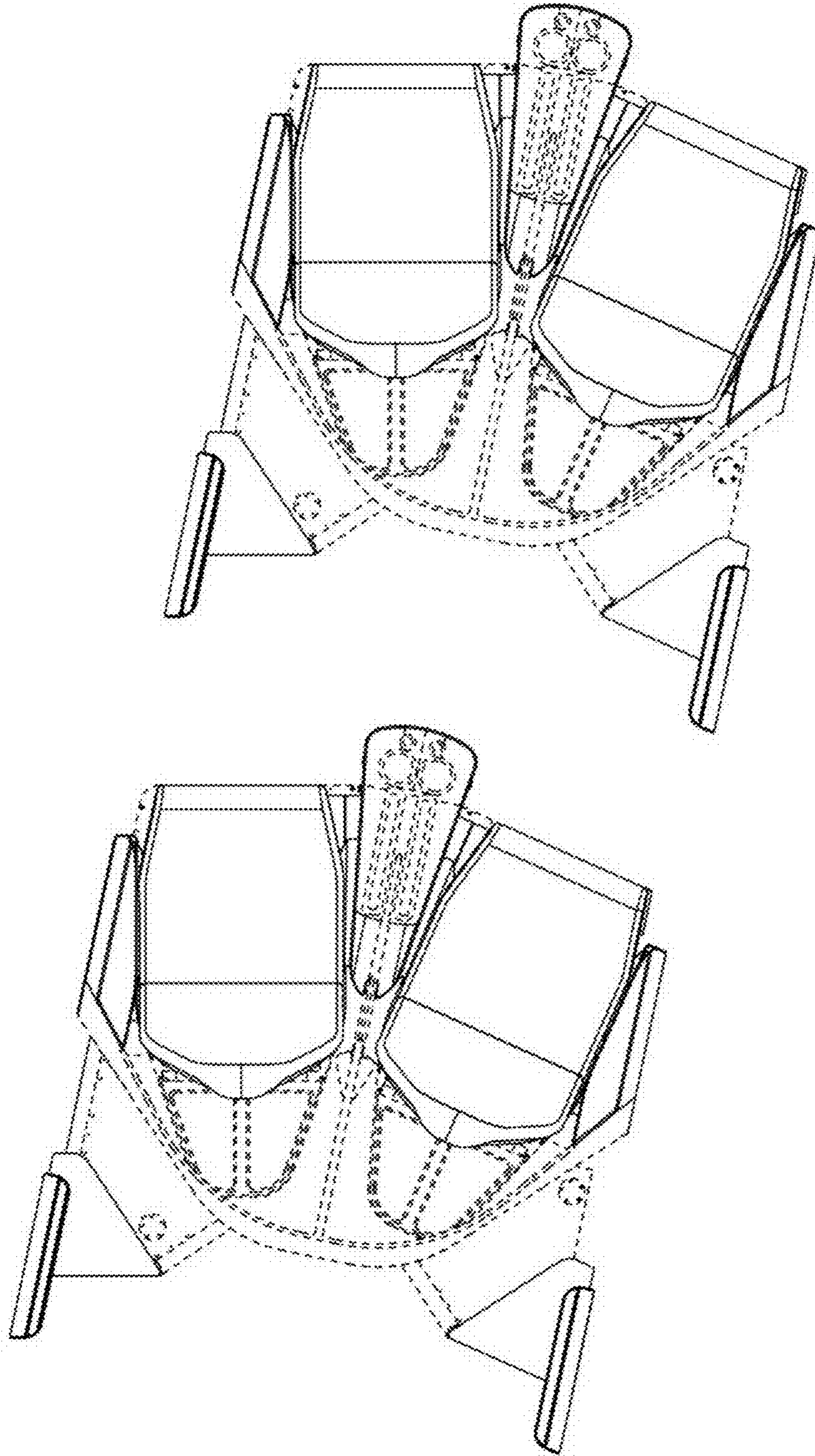
2.5



2.6



2.7



2.8

