



US00D783297S

(12) **United States Design Patent**
Tsai

(10) **Patent No.:** **US D783,297 S**
(45) **Date of Patent:** **** Apr. 11, 2017**

(54) **CHAIR BODY**

(71) Applicant: **ZHONGSHAN SHI SONGLIN FURNITURE CO., LTD**, Zhongshan, Guangdong Prov (CN)

(72) Inventor: **Hsuan-Chin Tsai**, Chai-Yi Hsien (TW)

(73) Assignee: **Zhongshan Shi Songlin Furniture Co., Ltd**, Zhongshan (CN)

(**) Term: **15 Years**

(21) Appl. No.: **29/550,511**

(22) Filed: **Jan. 5, 2016**

(51) **LOC (10) Cl.** **06-01**

(52) **U.S. Cl.**
USPC **D6/336**

(58) **Field of Classification Search**
USPC D6/334, 335, 336, 337, 338, 341, 349, D6/355, 361, 367, 369, 374, 375, 376, D6/378, 381, 384, 389, 708.1, 716, 716.1, D6/716.2, 716.4, 716.5
CPC A47B 83/02; A47B 39/00; A47C 3/045; A47C 7/70; A47C 3/04
See application file for complete search history.

(56) **References Cited**

U.S. PATENT DOCUMENTS

D289,949 S *	5/1987	Tron	D6/376
6,669,282 B2 *	12/2003	Piretti	A47C 7/70
				297/162
D544,235 S *	6/2007	Chen	D6/379
D605,867 S *	12/2009	Lu	D6/366
D686,835 S *	7/2013	Mascetti	D6/376
D696,032 S *	12/2013	Baccolini	D6/341
D715,069 S *	10/2014	Zhu	D6/376
8,851,564 B2 *	10/2014	Seo	A47C 7/70
				297/160
D724,877 S *	3/2015	Czumaj-Bront	D6/716

D734,621 S *	7/2015	Su	D6/376
2005/0264060 A1 *	12/2005	Cesaroni	A47C 3/045
				297/239
2007/0284920 A1 *	12/2007	Mehaffey	A47C 3/045
				297/162

OTHER PUBLICATIONS

Foldable training chair with writing tablet, posted at Saboroff-ficefurniture.com, posted on Jul. 23, 2014, [online], [site visited Oct. 5, 2016]. Available from Internet, <URL: http://www.saboroff-ficefurniture.com/sell-1321800-foldable-training-chair-with-writing-tablet.html#.V_WMqfn4_is>.*

Circulation Stacking Chair, posted at Moorecoinc.com, posted on Sep. 28, 2012, [online], [site visited Oct. 5, 2016]. Available from Internet, <URL: <https://moorecoinc.com/product/administration-furniture/circulation-stacking-chair>>.*

(Continued)

Primary Examiner — Thomas Johannes

Assistant Examiner — Catherine Ho

(74) *Attorney, Agent, or Firm* — Alan D. Kamrath; Kamrath IP Lawfirm, P.A.

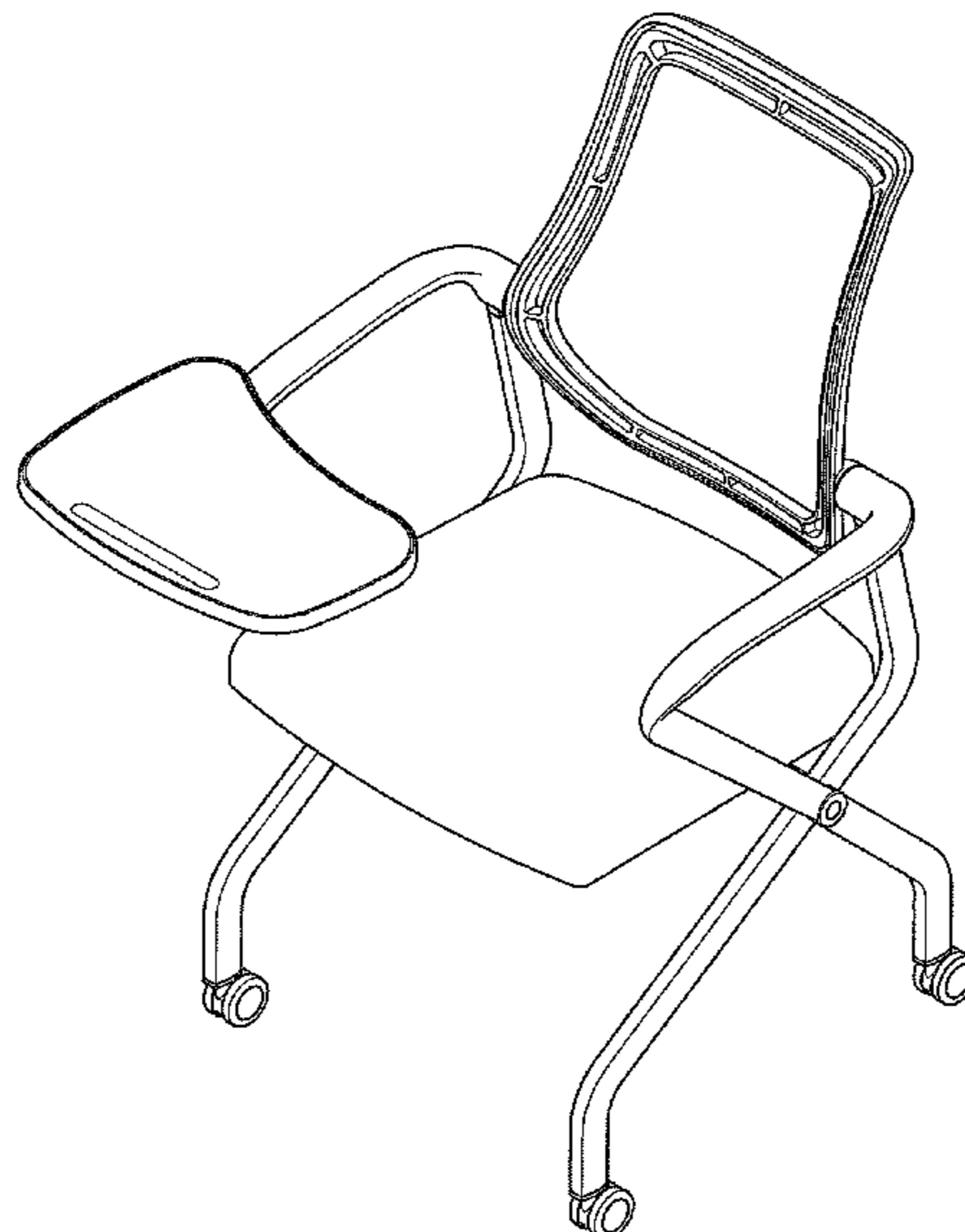
(57) **CLAIM**

The ornamental design for a chair body, as shown and described.

DESCRIPTION

FIG. 1 is a perspective view of a chair body, showing my new design;
FIG. 2 is a front elevational view thereof;
FIG. 3 is a rear elevational view thereof;
FIG. 4 is a left side view thereof;
FIG. 5 is a right side view thereof;
FIG. 6 is a top plan view thereof; and,
FIG. 7 is a bottom plan view thereof.

1 Claim, 7 Drawing Sheets



(56)

References Cited

OTHER PUBLICATIONS

Steelcase—Designing Active Learning Spaces, posted at Indesignlive.com, posted on Mar. 1, 2013, [online], [site visited Oct. 5, 2016]. Available from Internet, <URL: <http://www.indesignlive.com/articles/steelcase-designing-active-learning-spaces>>.*

Four-Leg Tablet Arm Chair, posted at Theusfamily.com, posted on Jun. 13, 2013, [online], [site visited Oct. 5, 2016]. Available from Internet, <URL: <http://web.archive.org/web/20130613044236/http://theusfamily.com/>>.*

* cited by examiner

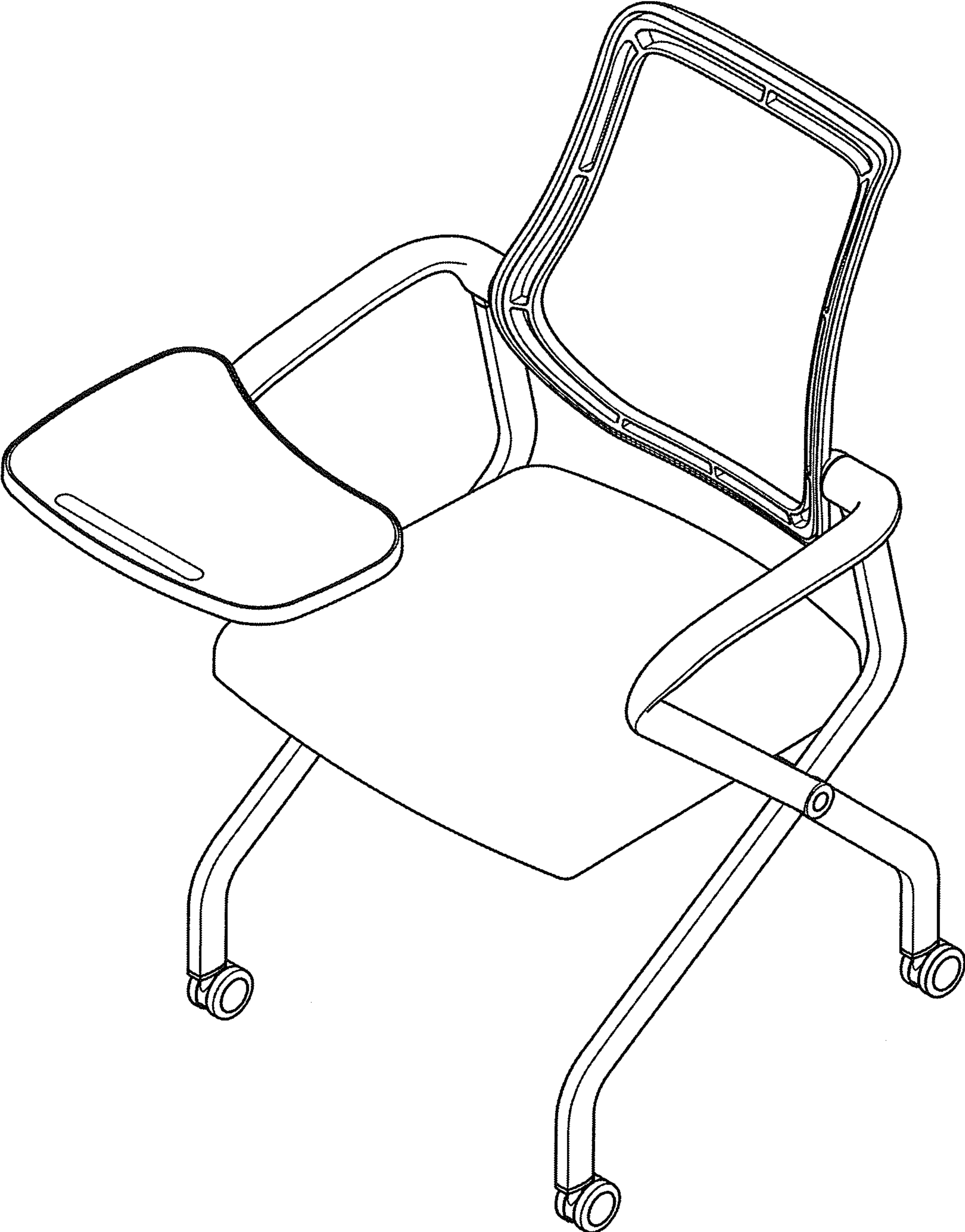


FIG. 1

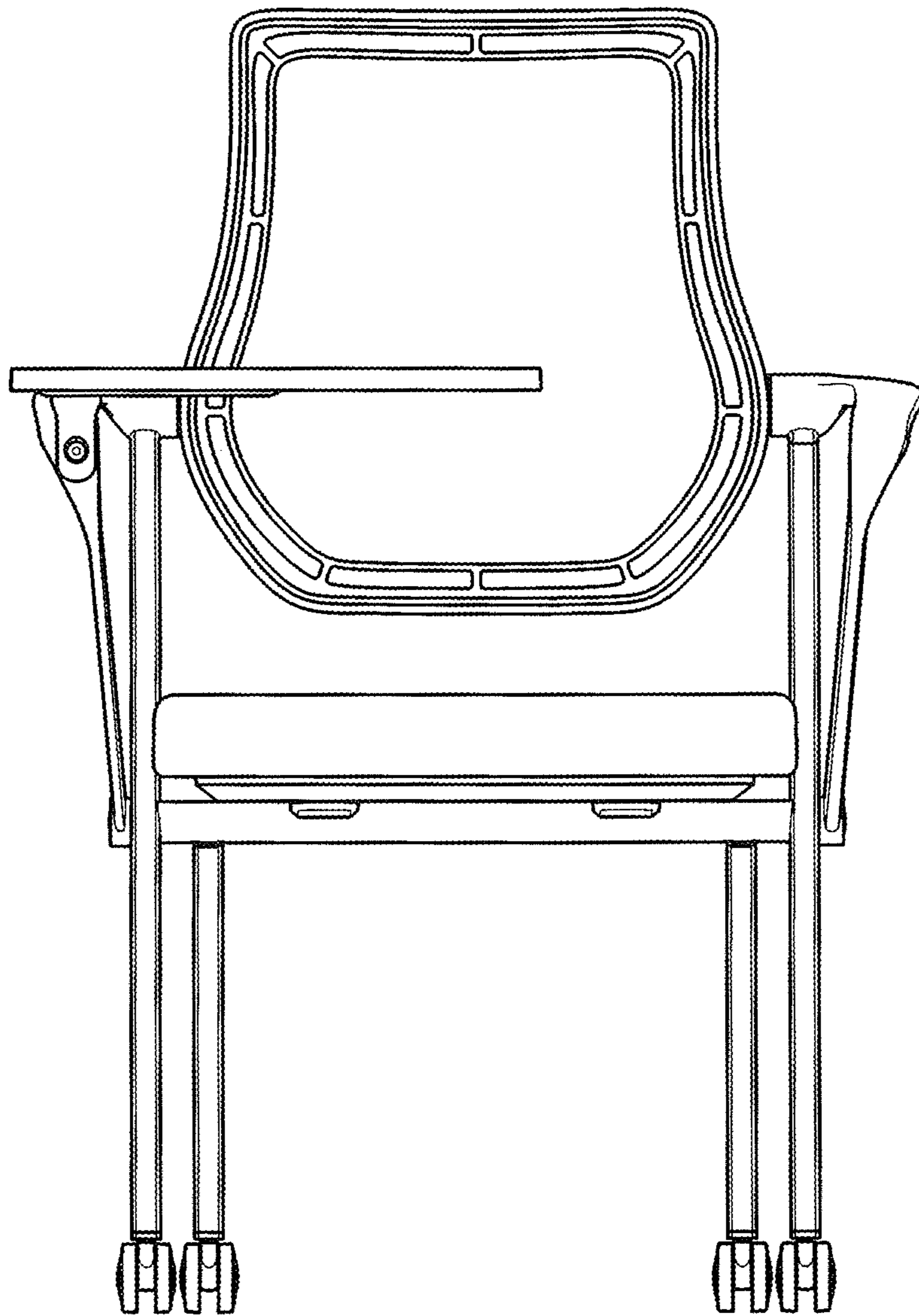


FIG. 2

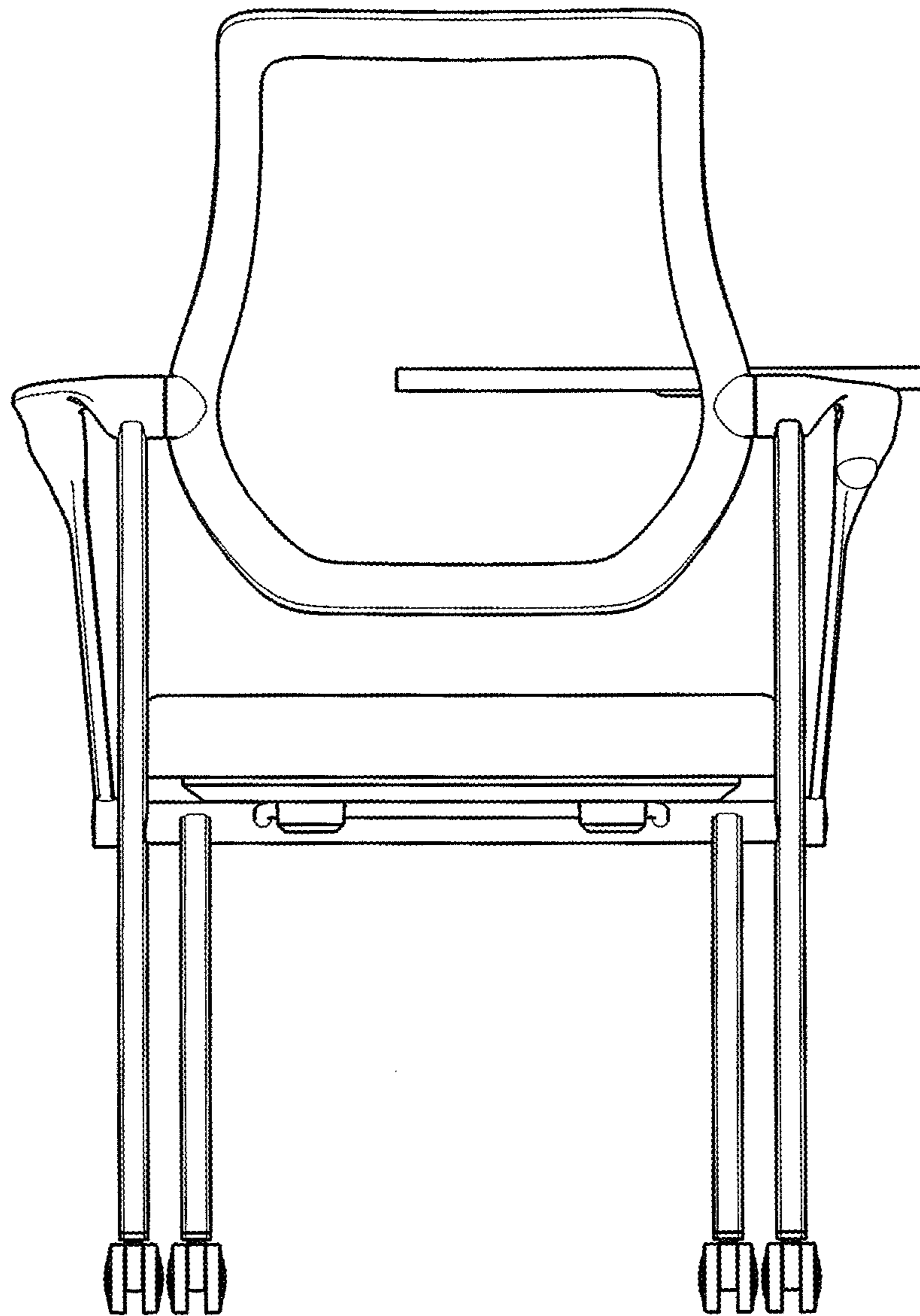


FIG. 3

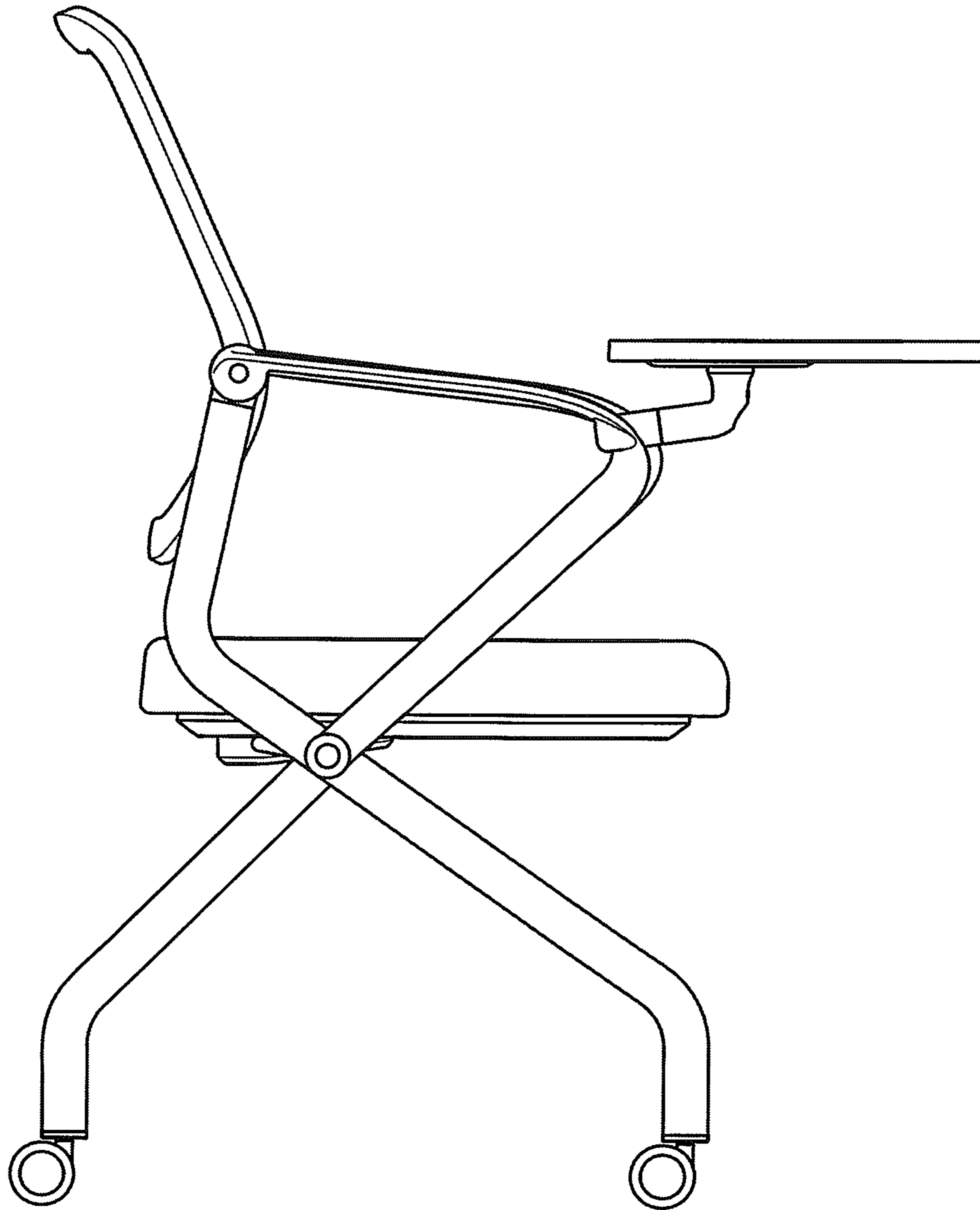


FIG. 4

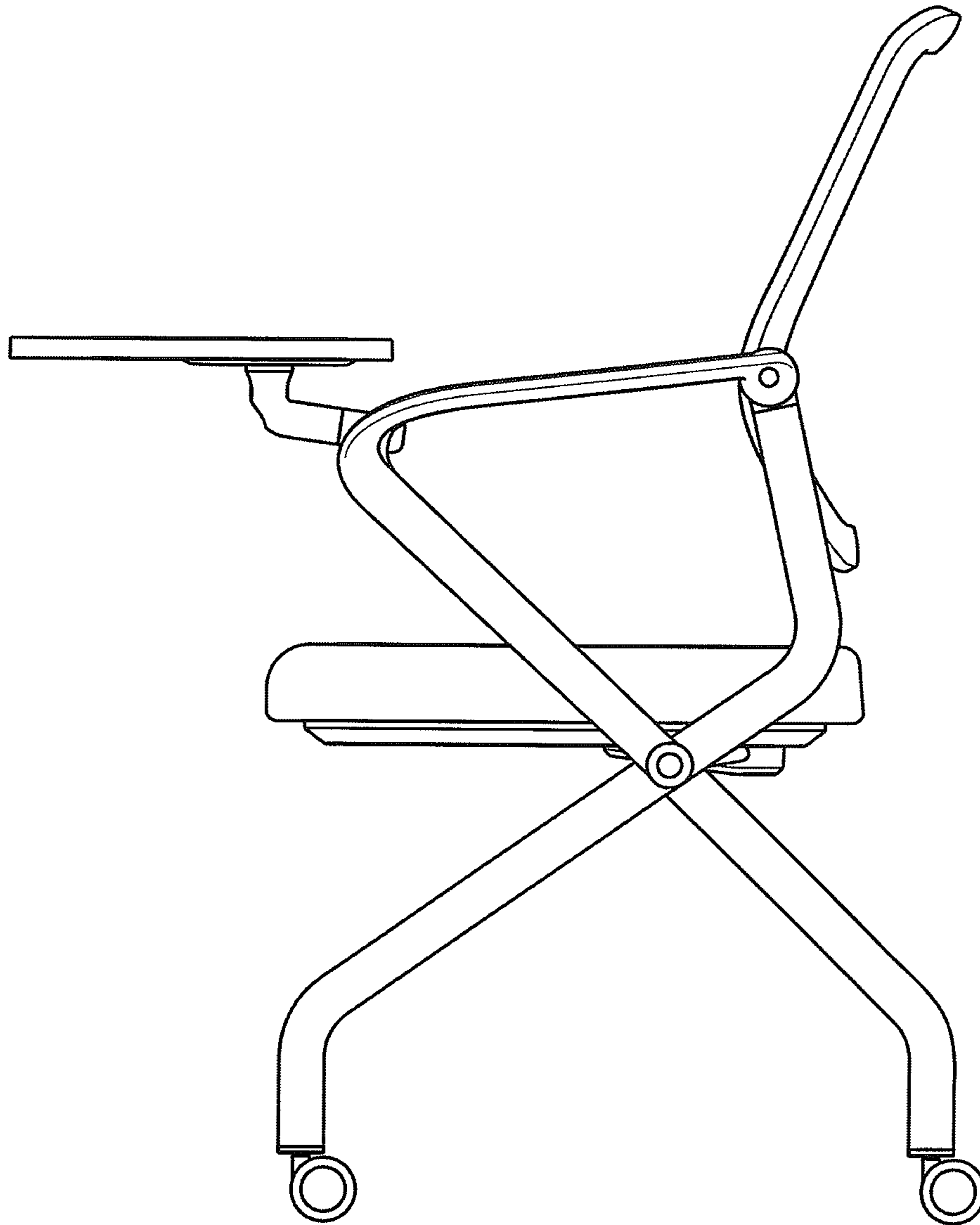


FIG. 5

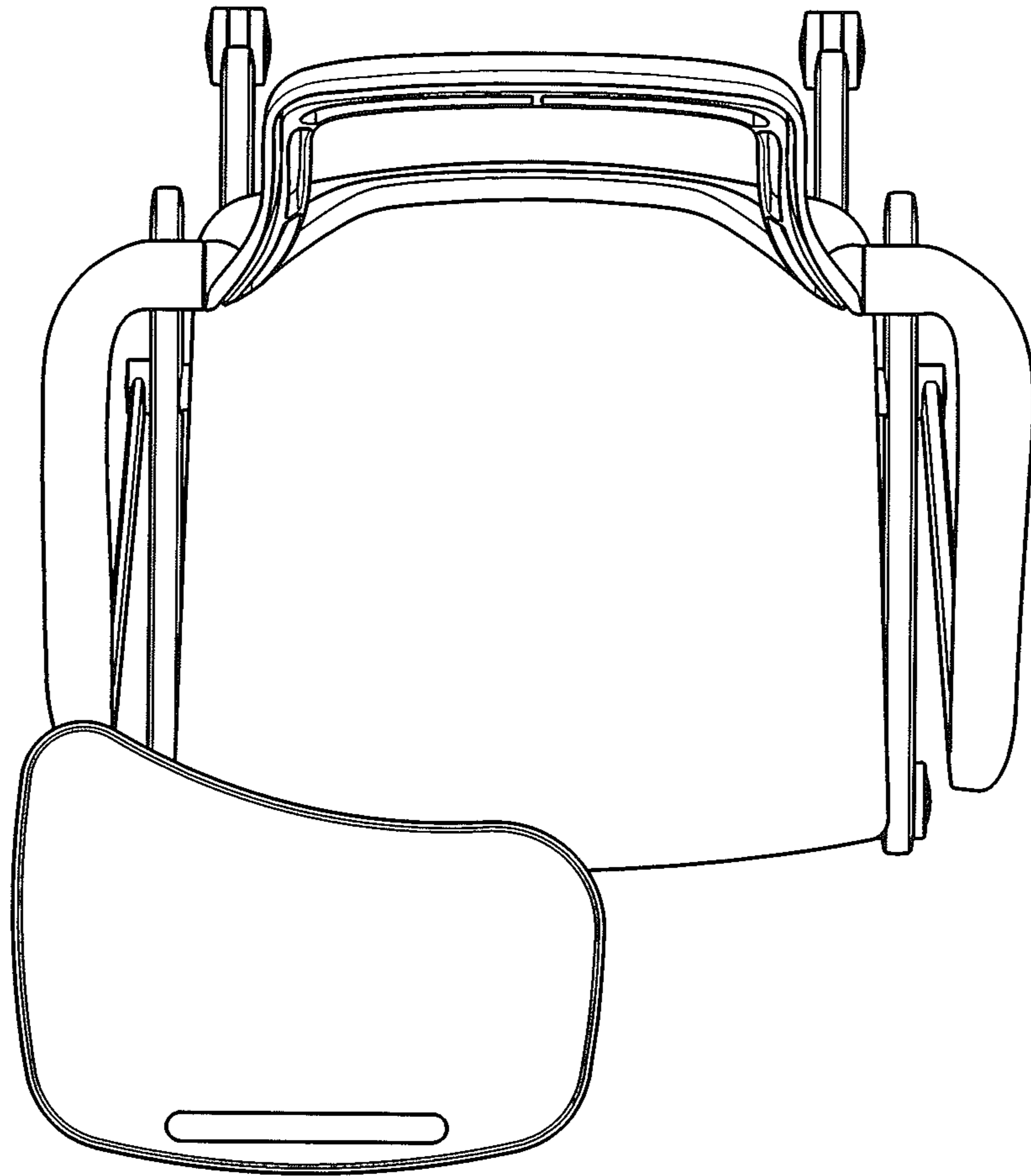


FIG. 6

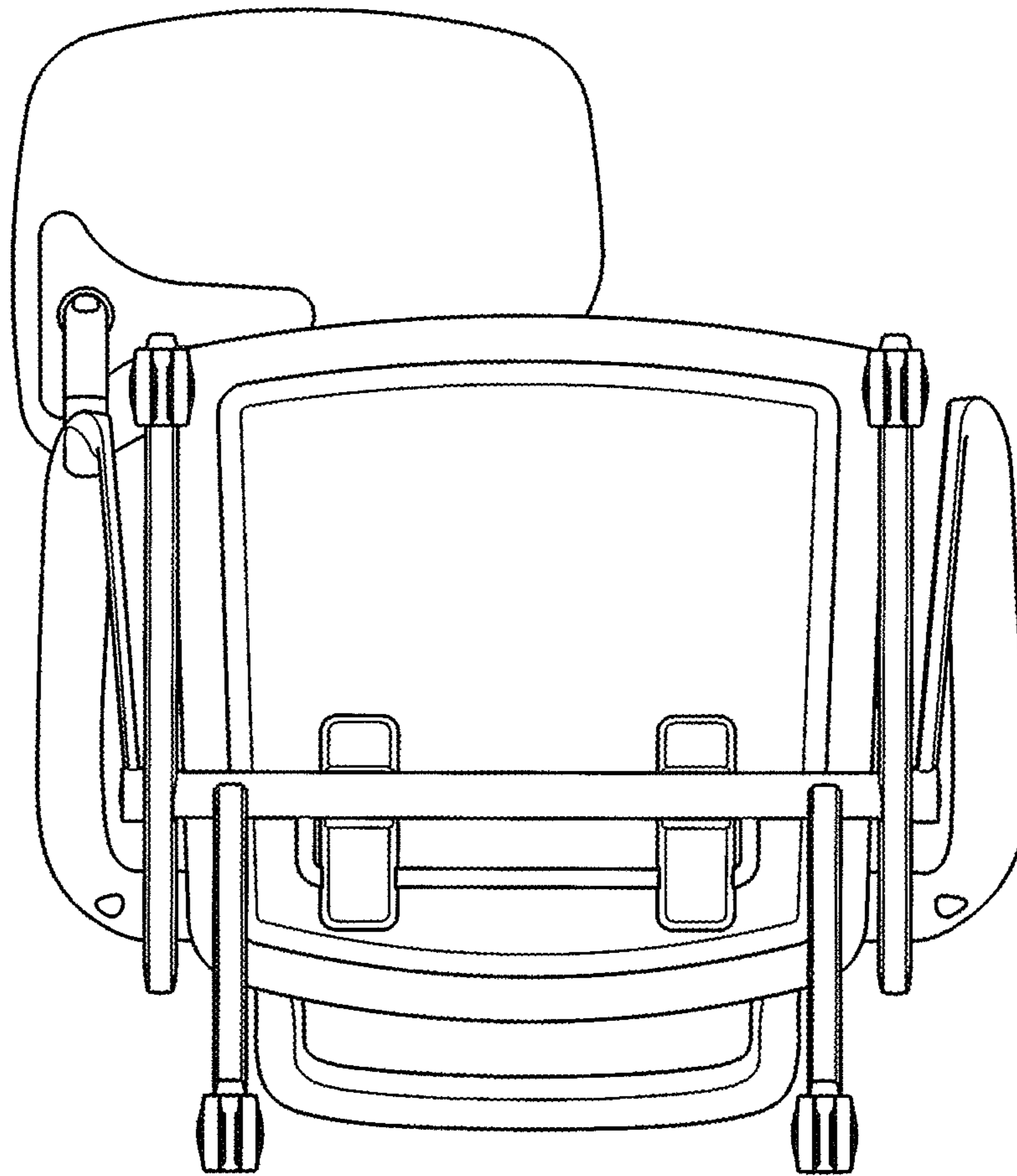


FIG. 7