



US00D783296S

(12) **United States Design Patent**  
**Robinson**

(10) **Patent No.:** **US D783,296 S**

(45) **Date of Patent:** **\*\* Apr. 11, 2017**

(54) **CHAIR WITH REMOVABLE MOSQUITO NET**

(71) Applicant: **Jerry Robinson**, St. Louis, MO (US)

(72) Inventor: **Jerry Robinson**, St. Louis, MO (US)

(\*\*) Term: **15 Years**

(21) Appl. No.: **29/533,701**

(22) Filed: **Jul. 21, 2015**

(51) **LOC (10) Cl.** ..... **06-01**

(52) **U.S. Cl.**

USPC ..... **D6/335**; D6/368

(58) **Field of Classification Search**

USPC ..... D6/306, 334, 335, 336, 338, 348, 365,  
D6/368, 371, 373, 374, 375, 376, 379,  
D6/381, 555, 709.21, 716, 716.1, 716.2,  
D6/716.3, 716.4; D25/16

CPC ..... A47H 5/00; B01D 46/10; A47B 97/00;  
E06B 9/327; E06B 9/304; E06B 9/32;  
B60J 1/2091; B64C 1/1476; B64C  
1/1492; B64C 1/1484; B64C 21/025;  
A01G 5/04; A47G 5/00; B60N 2/20;  
B60N 2/48; B60N 2/427; B60N 2/28;  
B60N 2/58; B60N 2/686; B60N 2/54;  
B60N 2/0232; B60N 2/42709; B60N  
2/7094; B60N 2/02; E04H 15/48; E04H  
15/34; E04H 15/40; E04H 15/28; E04H  
15/06; E04H 15/00; E04H 1/12; A47K  
11/04; A47D 1/02; A47C 7/66; A47C  
7/62

See application file for complete search history.

(56) **References Cited**

**U.S. PATENT DOCUMENTS**

336,128 A \* 2/1886 McComas et al. .... A47C 7/66  
135/90  
900,572 A \* 10/1908 Morton ..... A47C 7/66  
135/87

1,033,108 A \* 7/1912 Lehmann ..... A47C 4/40  
297/184.11  
3,027,189 A \* 3/1962 Scott ..... E04H 15/001  
135/116  
D245,903 S \* 9/1977 Harris, Jr. .... D12/402  
4,300,798 A \* 11/1981 Musgrove ..... A47C 7/68  
297/162  
4,782,616 A \* 11/1988 Hambleton ..... A47C 7/66  
43/1  
5,133,378 A \* 7/1992 Tanasychuk ..... E04H 15/001  
135/148  
D361,439 S \* 8/1995 Patton ..... D25/16  
D378,540 S 3/1997 Becker  
(Continued)

**FOREIGN PATENT DOCUMENTS**

CN 2738766 Y 11/2005

**OTHER PUBLICATIONS**

Single Chair Mosquito Protection Net, posted at Youtube.com, posting date Jan. 21, 2012, [online], [site visited Aug. 17, 2016]. Available from Internet, <URL: <https://youtu.be/rCVBVS7vGQM>>.\*

(Continued)

*Primary Examiner* — Thomas Johannes

*Assistant Examiner* — Catherine Ho

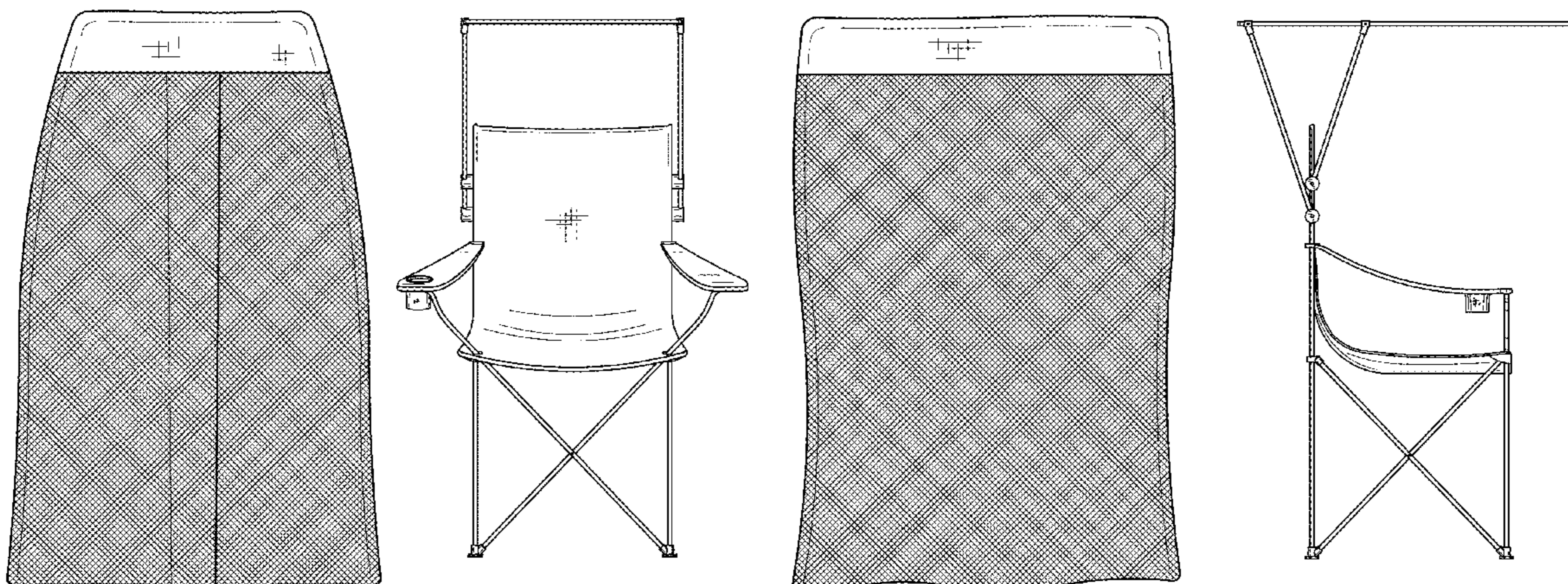
(57) **CLAIM**

I claim the ornamental design for a chair with removable mosquito net, as shown and described.

**DESCRIPTION**

FIG. 1 is a front view of a chair with removable mosquito net shown separately for clarity of disclosure; FIG. 2 is a back view thereof; FIG. 3 is a side view thereof; FIG. 4 is a top view thereof; and, FIG. 5 is a bottom view thereof.

**1 Claim, 5 Drawing Sheets**



(56)

References Cited

U.S. PATENT DOCUMENTS

5,873,625 A \* 2/1999 Uchtman ..... A47C 7/66  
297/184.15

7,047,992 B1 5/2006 Fluellen

7,311,355 B2 12/2007 Fargason, III

D612,624 S \* 3/2010 Lovley ..... D6/368

7,753,063 B1 \* 7/2010 Laws ..... A47C 7/66  
135/117

7,921,863 B2 4/2011 Ways

7,963,596 B2 6/2011 Efthimiou

2002/0112752 A1 8/2002 Blakney

2004/0226597 A1 11/2004 McCampbell

2007/0040422 A1 \* 2/2007 Reeb ..... A47C 7/66  
297/184.1

2008/0011345 A1 \* 1/2008 Mohns ..... A47C 7/66  
135/88.01

2008/0018146 A1 \* 1/2008 Wahl ..... A47C 7/66  
297/184.15

2009/0039685 A1 \* 2/2009 Zernov ..... A47C 7/66  
297/16.2

2011/0284045 A1 \* 11/2011 Reeb ..... A45B 23/00  
135/151

2014/0097652 A1 \* 4/2014 Minkoff ..... A47C 7/744  
297/180.14

2014/0252817 A1 \* 9/2014 Lovley, II ..... A47C 4/286  
297/184.15

2014/0306494 A1 \* 10/2014 Frankel ..... A47C 7/66  
297/184.15

2014/0318587 A1 10/2014 Anderson, Jr.

OTHER PUBLICATIONS

Kelsyus Premium Canopy Chair, posted at Walmart.com, posting date Aug. 16, 2014, [online], [site visited Aug. 23, 2016]. Available from Internet, <URL: <https://www.walmart.com/ip/Kelsyus-Premium-Canopy-Chair/35575879>>.\*

Oversize Folding Camping Chairs Heavy Duty with Canopy, posted at Amazon.com, posting date Jun. 6, 2010, [online], [site visited Aug. 23, 2016]. Available from Internet, <URL: [https://www.amazon.com/Oversize-Protection-Ergonomic-Directors-Breathable/dp/B00Z232FVC/ref=sr\\_1\\_6?ie=UTF8&qid=1471997568&sr=8-6&keywords=canopy+fold+ing+chair](https://www.amazon.com/Oversize-Protection-Ergonomic-Directors-Breathable/dp/B00Z232FVC/ref=sr_1_6?ie=UTF8&qid=1471997568&sr=8-6&keywords=canopy+fold+ing+chair)>.\*

Kids' Canopy Chair, posted at Acehardware.com, posting date Jul. 12, 2014, [online], [site visited Aug. 23, 2016]. Available from Internet, <URL: <http://www.acehardware.com/product/index.jsp?productId=12625454>>.\*

\* cited by examiner

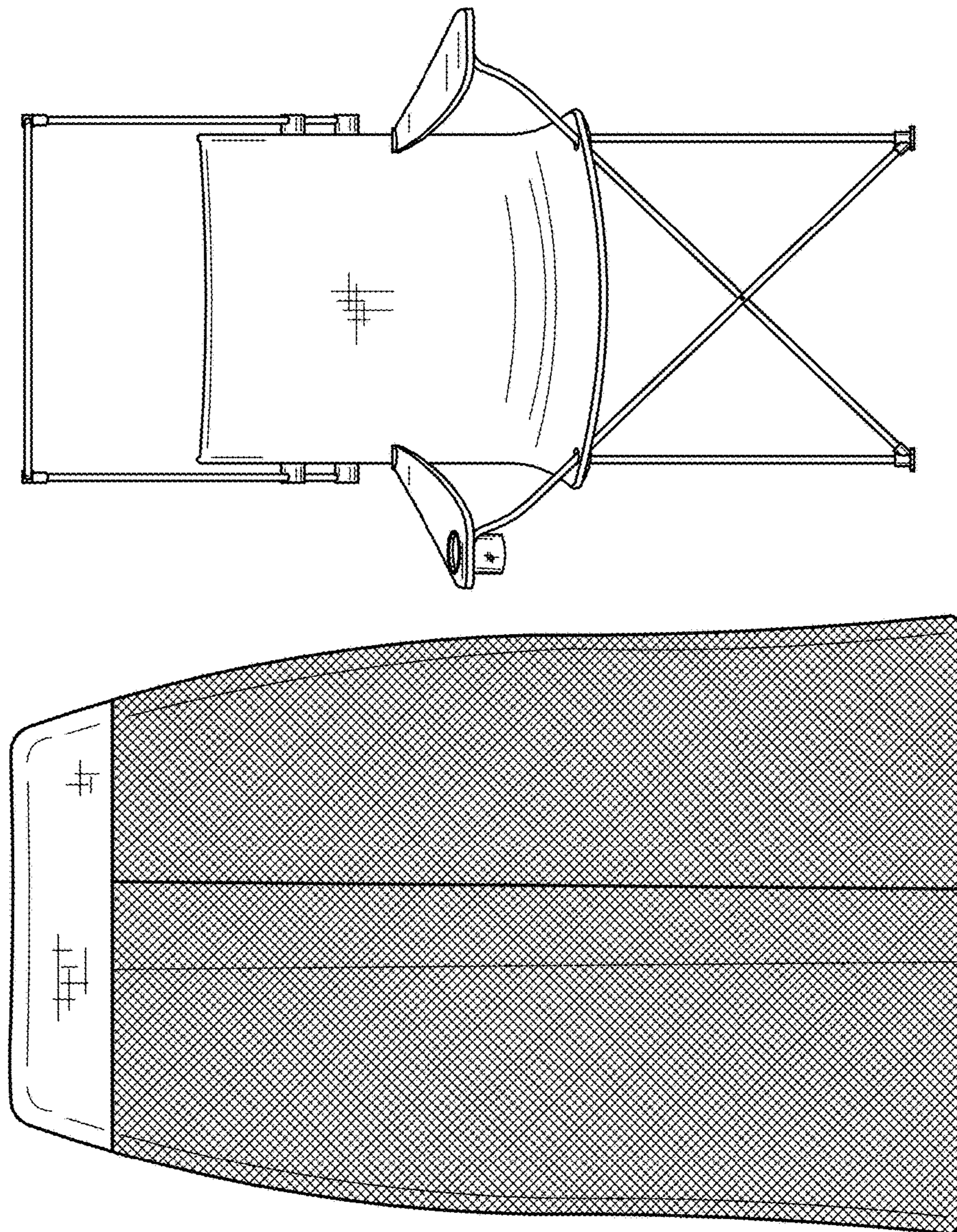


FIG. 1

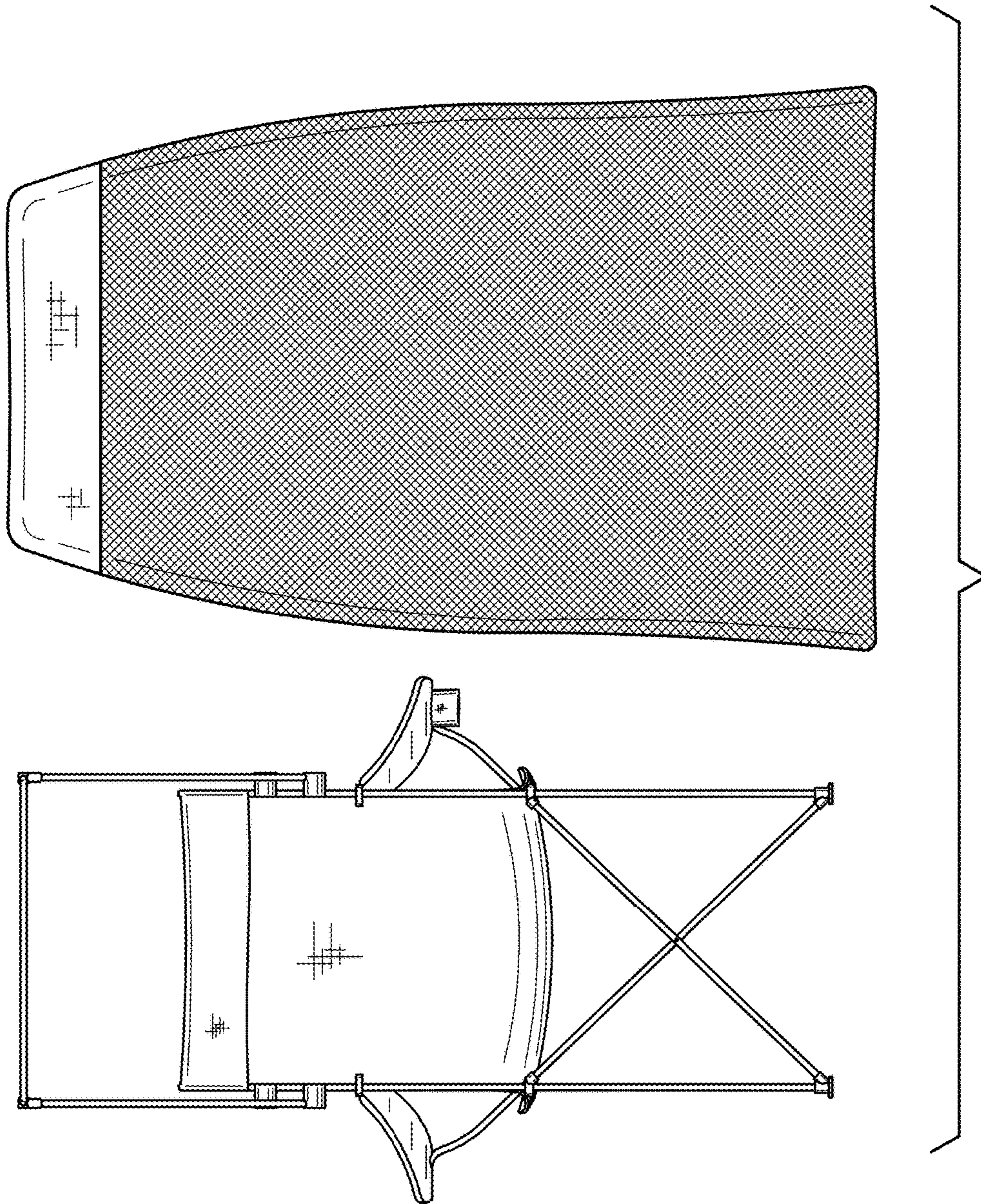


FIG. 2

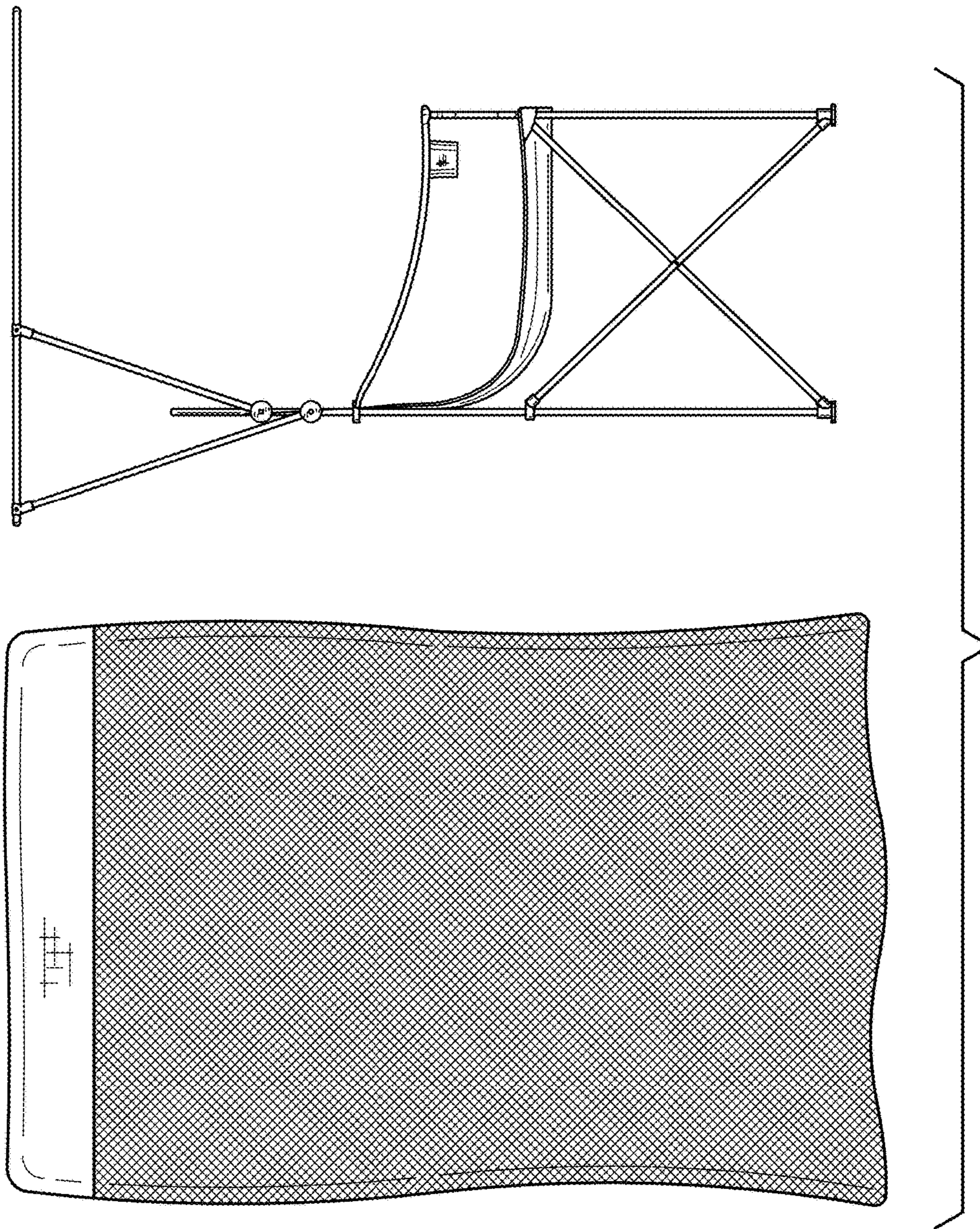


FIG. 3

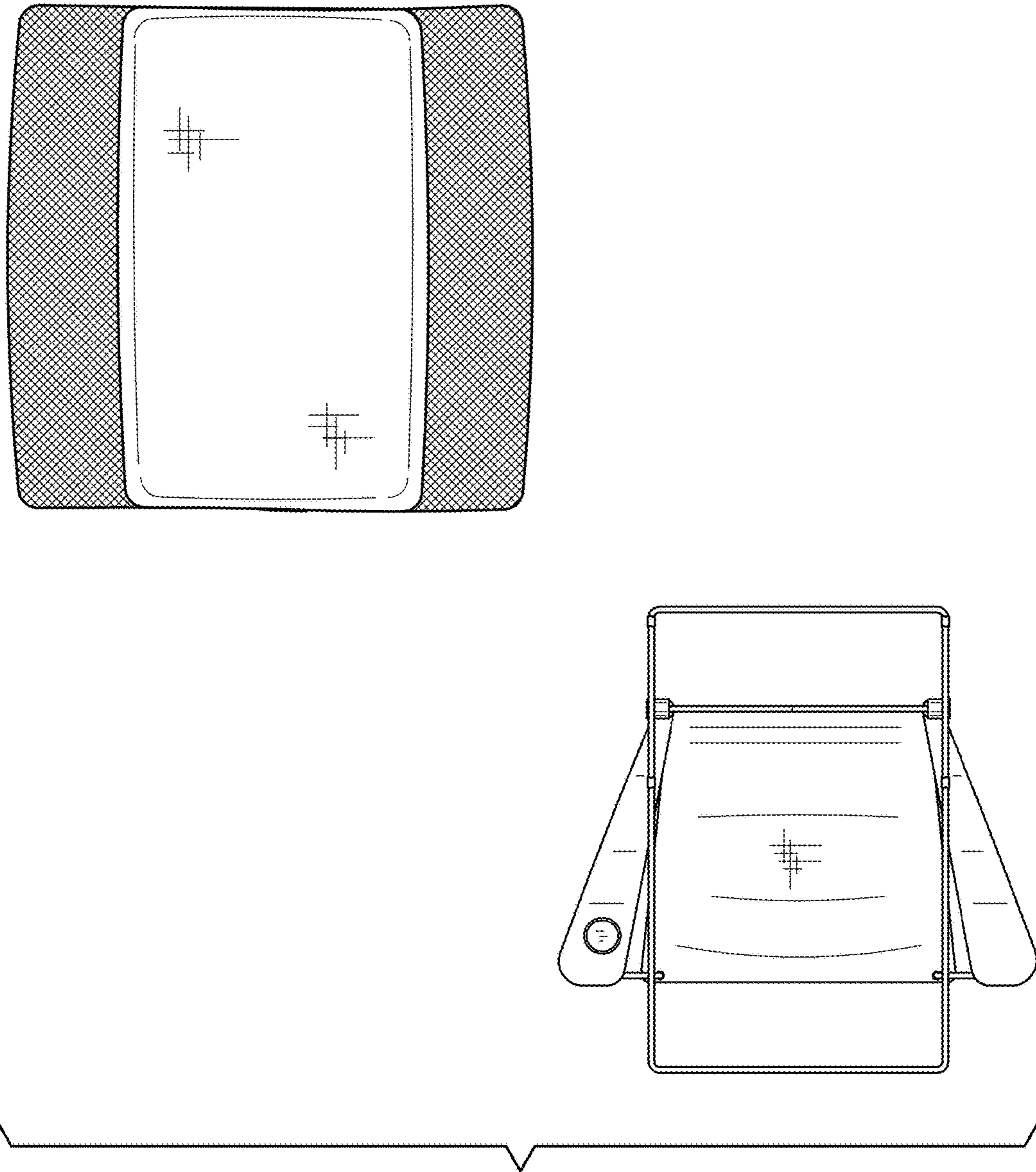


FIG. 4

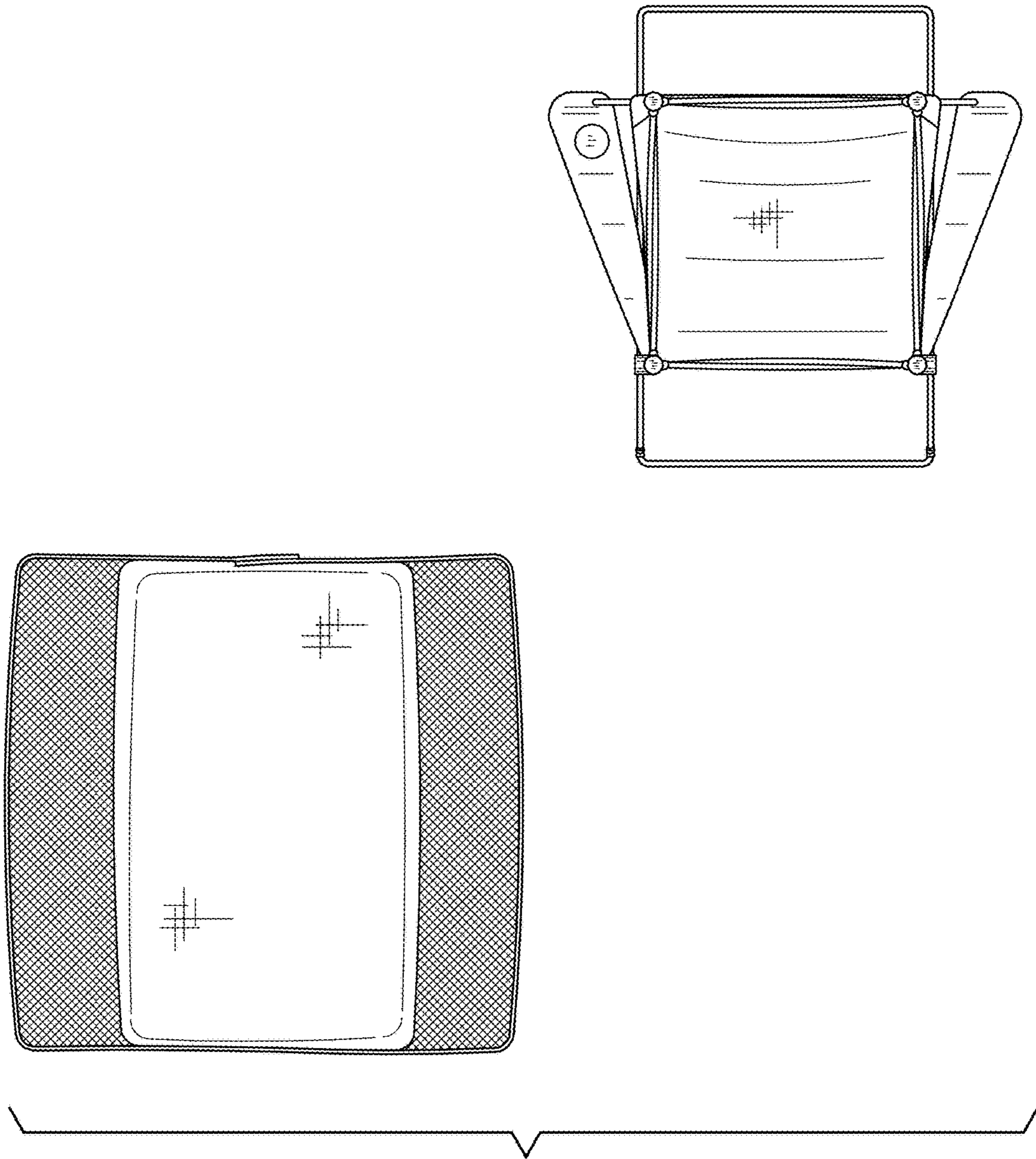


FIG. 5